



US00D553295S

(12) **United States Design Patent**  
**Khubani**

(10) **Patent No.:** **US D553,295 S**

(45) **Date of Patent:** **\*\* Oct. 16, 2007**

(54) **HAIR TRIMMER**

(75) Inventor: **Anand Khubani**, Towaco, NJ (US)

(73) Assignee: **Ideavillage Products Corp.**, Fairfield, NJ (US)

(\*\*) Term: **14 Years**

(21) Appl. No.: **29/272,326**

(22) Filed: **Feb. 6, 2007**

(51) **LOC (8) Cl.** ..... **28-03**

(52) **U.S. Cl.** ..... **D28/53**

(58) **Field of Classification Search** ..... 30/32,  
30/34.05, 34.1, 34.2, 42, 43-43.92, 44-45,  
30/47-50, 29.5, 526-533; D28/49-54  
See application file for complete search history.

(56) **References Cited**

U.S. PATENT DOCUMENTS

D319,711 S \* 9/1991 Fujisawa ..... D28/50

(Continued)

*Primary Examiner*—Jennifer Rivard

(74) *Attorney, Agent, or Firm*—Robert L. Epstein; Epstein Drangel Bazerman & James

(57) **CLAIM**

The ornamental design for a hair trimmer, substantially as shown and described.

**DESCRIPTION**

FIG. 1 is an isometric view showing the front, top and one side of my invention, as it appears with the cover on;

FIG. 2 is an elevation view showing the front side of my invention, as it appears with the cover on;

FIG. 3 is an elevation view showing the rear of my invention, as it appears with the cover on;

FIG. 4 is an elevation view showing one the side of my invention, as it appears with the cover on;

FIG. 5 is an elevation view showing the top of my invention, as it appears with the cover on;

FIG. 6 is an elevation view showing the other side of my invention, as it appears with the cover on;

FIG. 7 is an elevation view showing the bottom of my invention, as it appears with the cover on;

FIG. 8 is an isometric view showing the front, top and one side of my invention, as it appears with the cover exploded;

FIG. 9 is an elevation view showing the front of my invention, as it appears with the cover removed;

FIG. 10 is an elevation view showing the rear of my invention, as it appears with the cover removed;

FIG. 11 is an elevation view showing one side of my invention, as it appears with the cover removed;

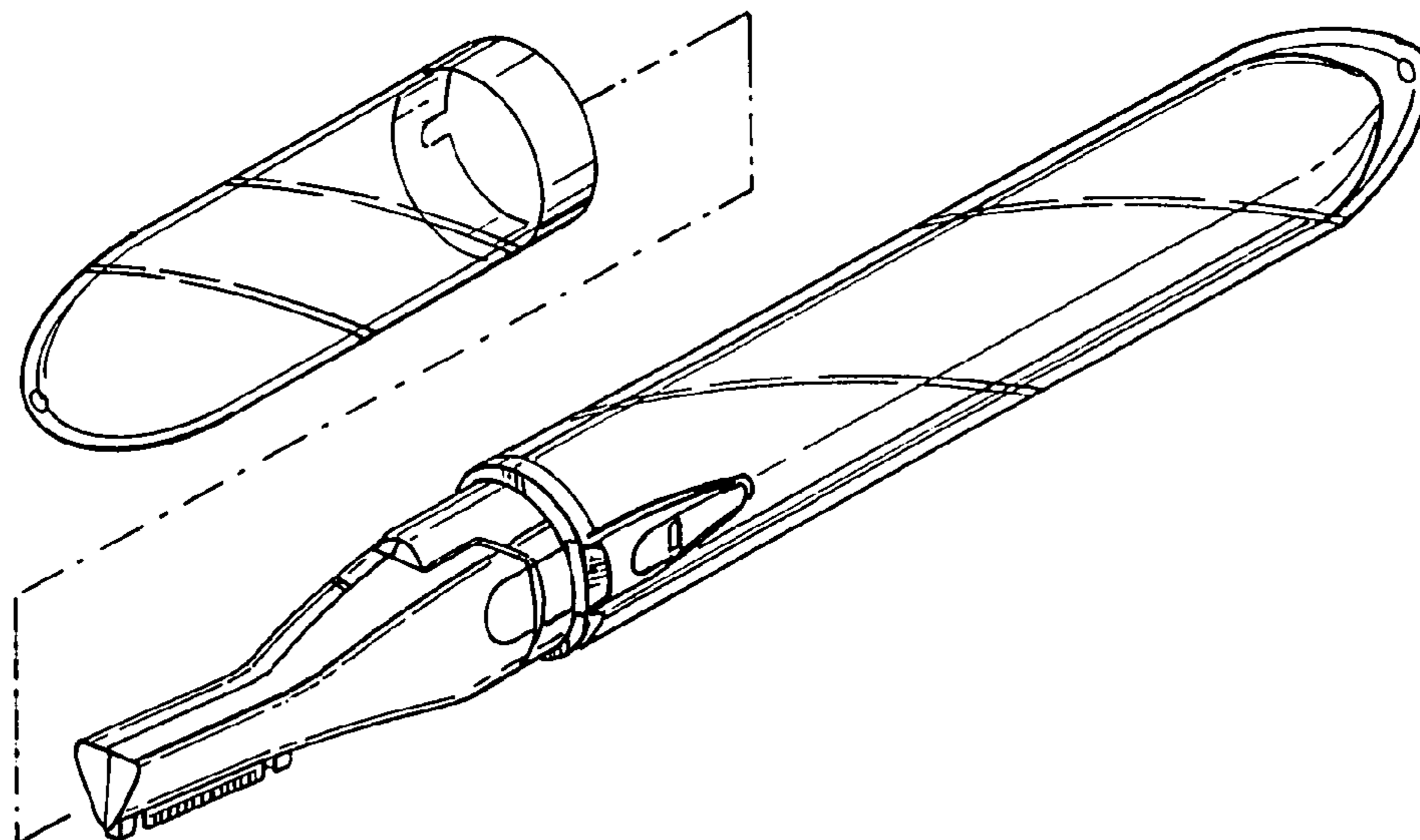
FIG. 12 is an elevation view showing the top of my invention, as it appears with the cover removed;

FIG. 13 is an elevation view showing the other side of my invention, as it appears with the cover removed; and,

FIG. 14 is an elevation view showing the bottom of my invention, as it appears with the cover removed.

For convenience of illustration, the trimmer is disclosed without the cover in FIGS. 9-14.

**1 Claim, 2 Drawing Sheets**



# US D553,295 S

Page 2

---

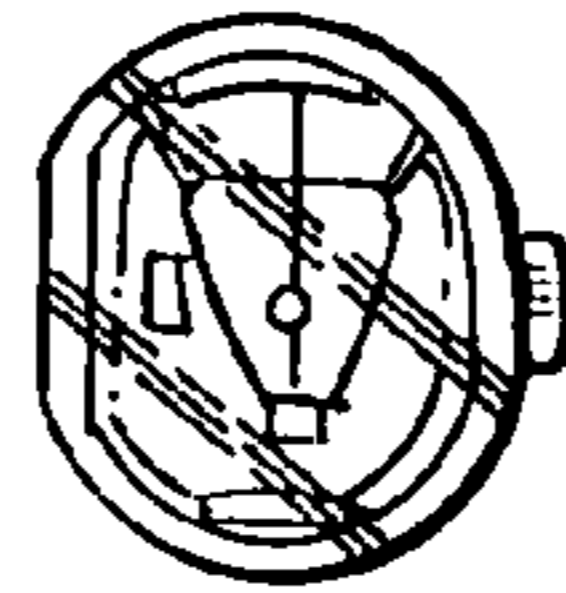
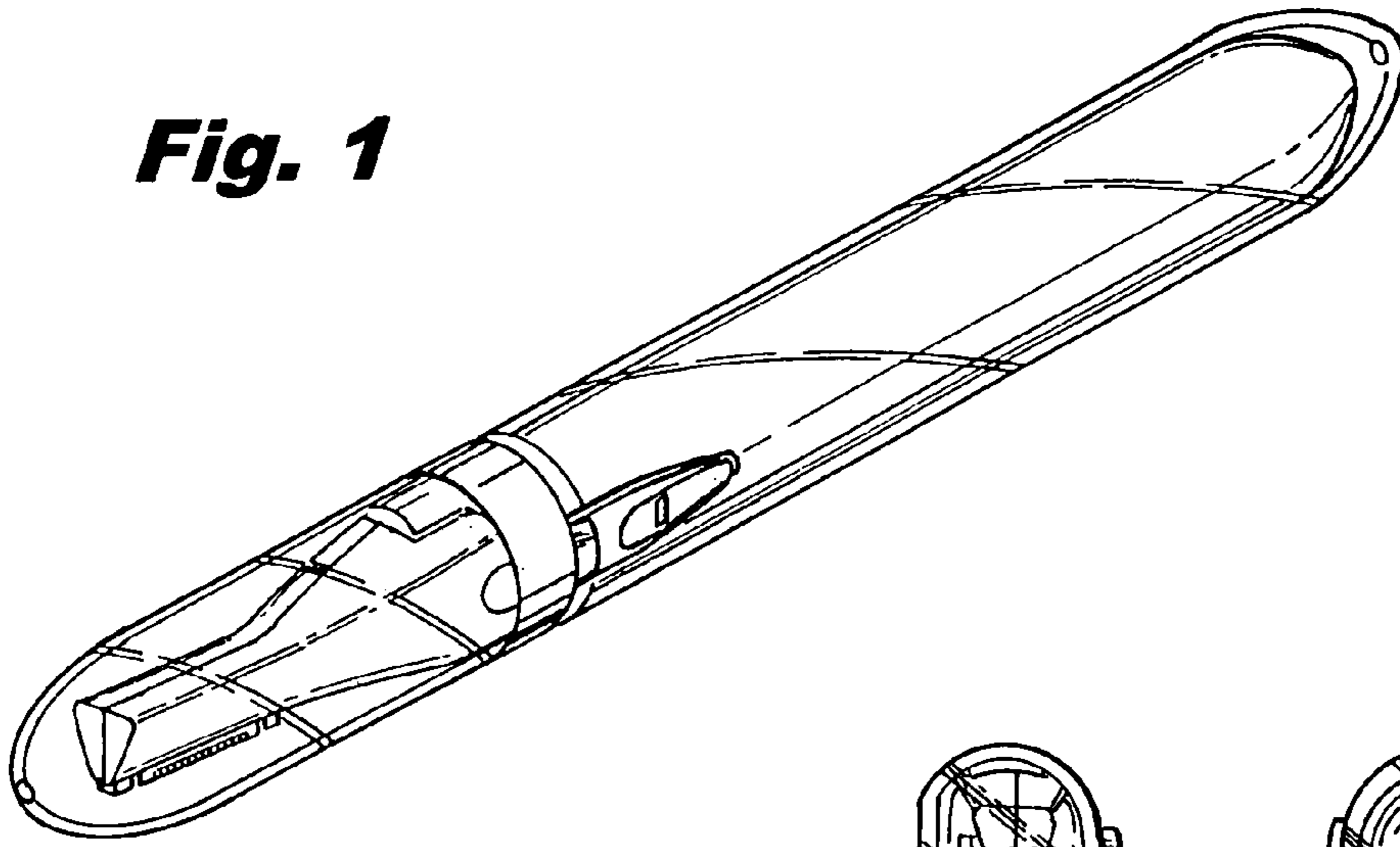
## U.S. PATENT DOCUMENTS

D488,260 S 4/2004 Khubani  
D497,035 S 10/2004 Khubani  
D499,845 S 12/2004 Khubani

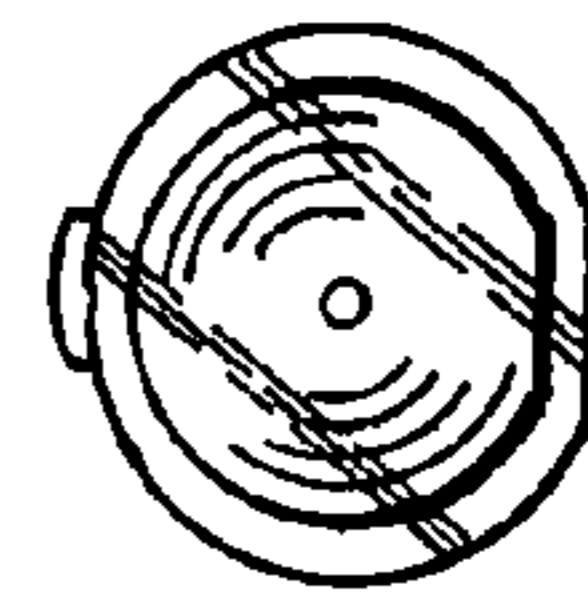
D509,026 S \* 8/2005 Leventhal et al. .... D28/53  
D514,258 S 1/2006 Khubani  
2005/0262694 A1\* 12/2005 Ouchi et al. .... 30/43.92

\* cited by examiner

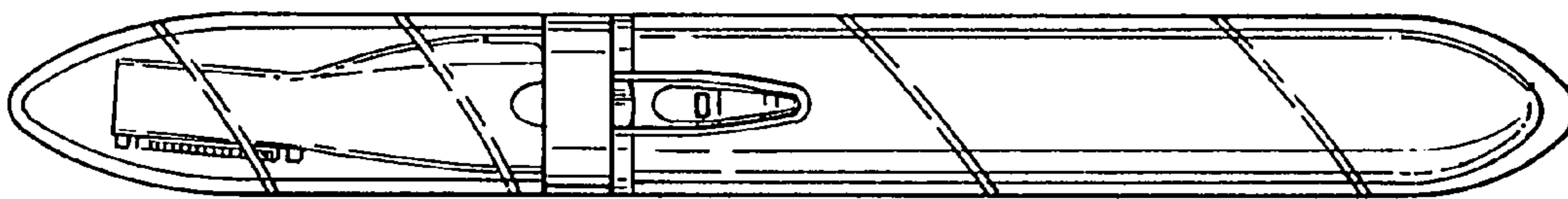
**Fig. 1**



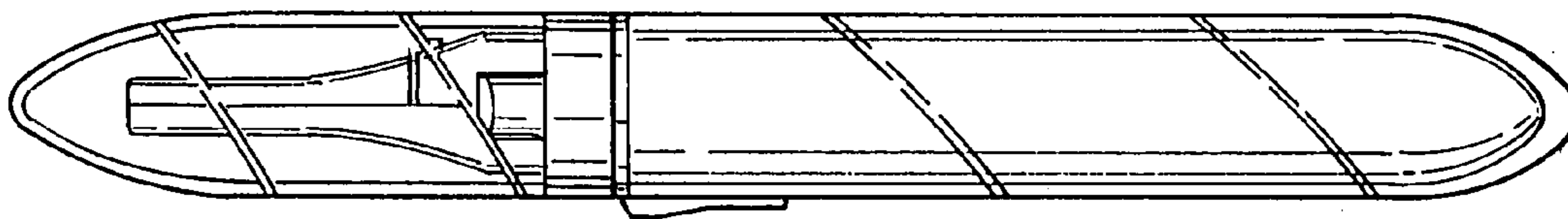
**Fig. 2**



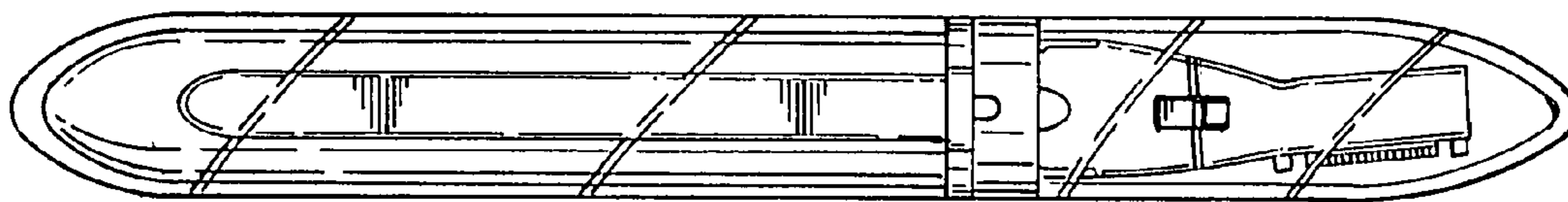
**Fig. 3**



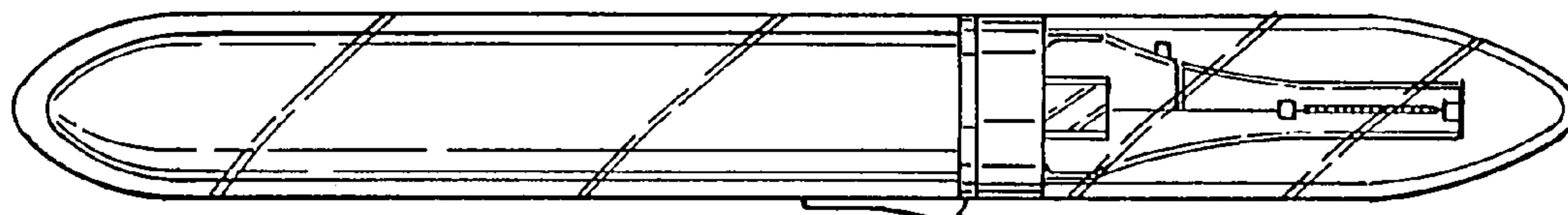
**Fig. 4**



**Fig. 5**

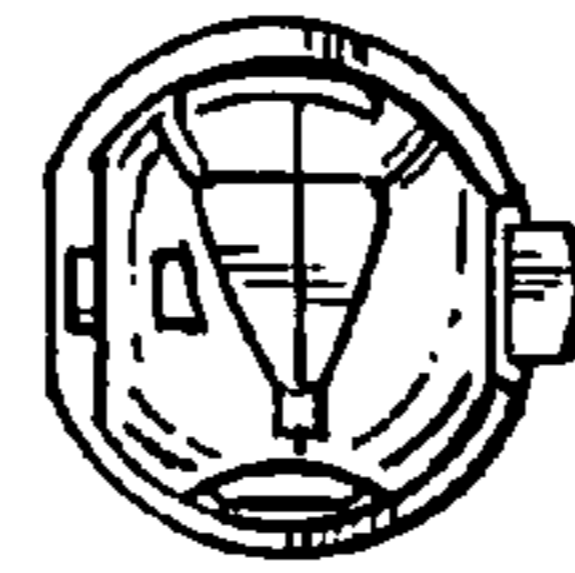
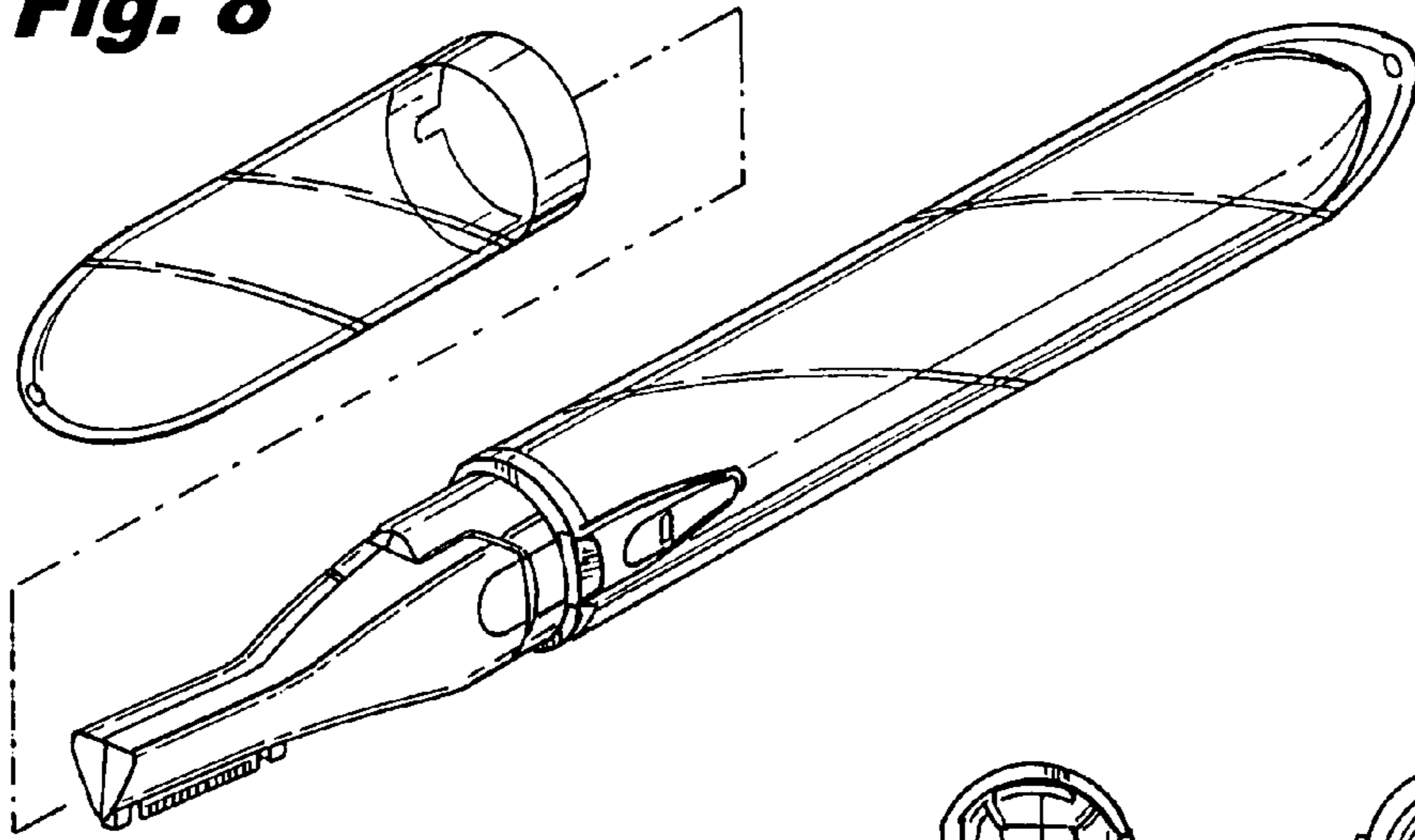


**Fig. 6**

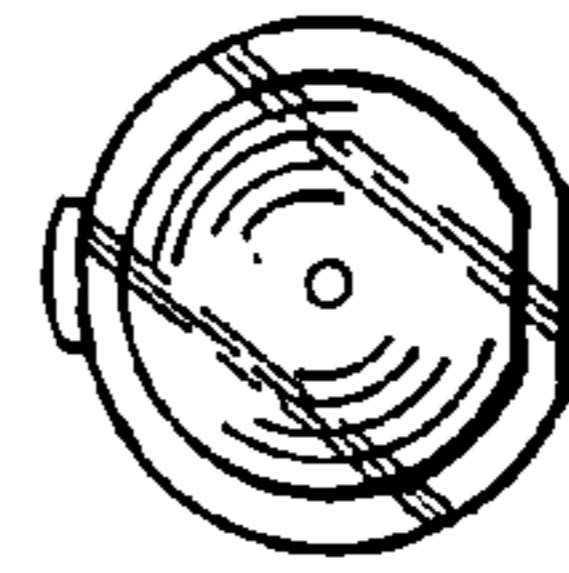


**Fig. 7**

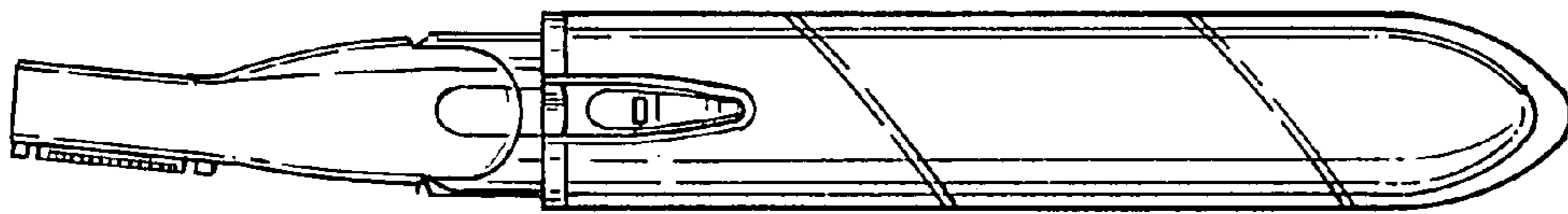
**Fig. 8**



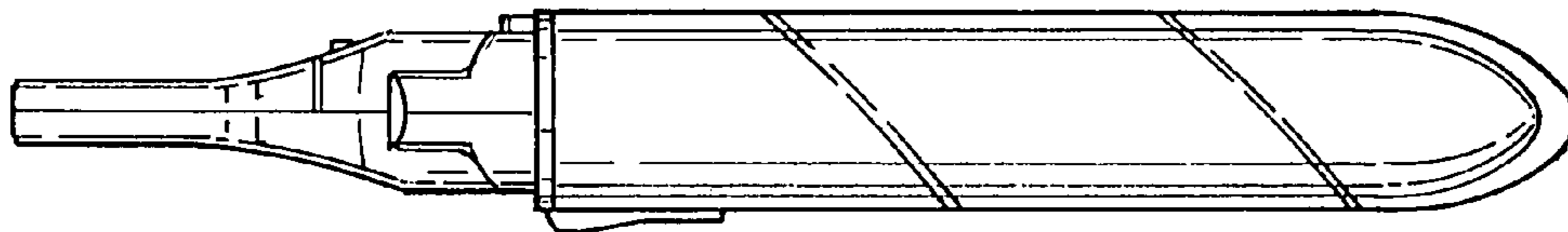
**Fig. 9**



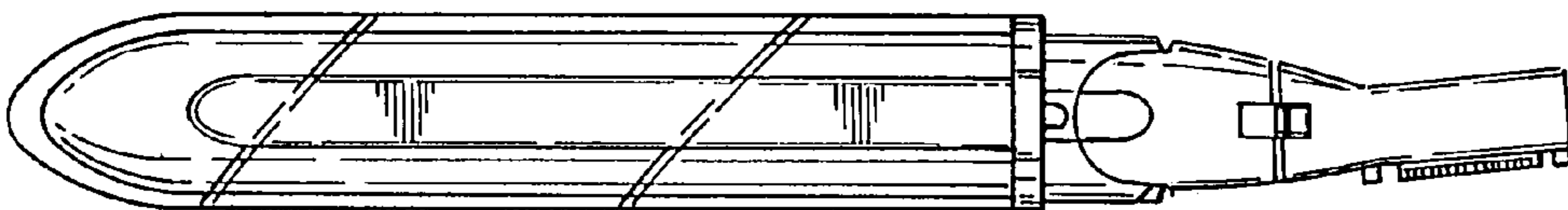
**Fig. 10**



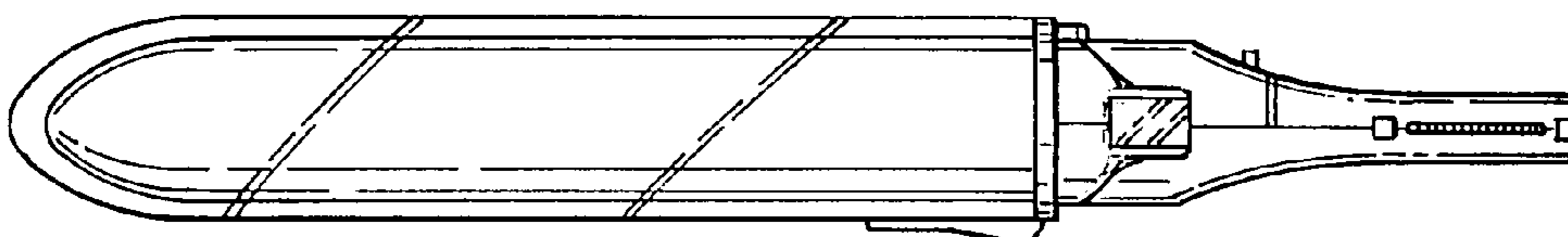
**Fig. 11**



**Fig. 12**



**Fig. 13**



**Fig. 14**