



US00D553287S

(12) **United States Design Patent**  
**Miller**

(10) **Patent No.:** **US D553,287 S**

(45) **Date of Patent:** **\*\* Oct. 16, 2007**

(54) **WIDE ANGLE DISPLAY LIGHTING SYSTEM**

(75) Inventor: **Michael R. Miller**, Tupelo, MS (US)

(73) Assignee: **Genlyte Thomas Group, LLC**,  
Louisville, KY (US)

(\*\*) Term: **14 Years**

(21) Appl. No.: **29/225,681**

(22) Filed: **Mar. 18, 2005**

(51) **LOC (8) Cl.** ..... **26-03**

(52) **U.S. Cl.** ..... **D26/75; D26/76**

(58) **Field of Classification Search** ..... D26/72,  
D26/74-79; 362/147, 217-225, 260, 283,  
362/347, 363

See application file for complete search history.

(56) **References Cited**

**U.S. PATENT DOCUMENTS**

1,977,029	A	10/1934	Welch	
2,322,426	A	6/1943	Dreyfuss	
2,348,930	A *	5/1944	Schepmoes	362/224
D140,504	S *	3/1945	Gleason	D26/76
2,827,555	A	3/1958	Woolley	
3,069,537	A *	12/1962	Dayton et al.	362/222
3,077,536	A	2/1963	Garnett	
4,204,274	A	5/1980	Luderitz	
4,300,185	A	11/1981	Wakamatsu	
4,414,609	A	11/1983	Shemitz	
4,450,513	A	5/1984	Guggemos	
D274,657	S *	7/1984	Herst et al.	D26/76
D278,555	S *	4/1985	Cummings	D26/60
D280,346	S *	8/1985	Aspenwall	D26/75
4,849,864	A	7/1989	Forrest	
D329,104	S *	9/1992	Dieperink	D26/87
D330,090	S *	10/1992	Walter et al.	D26/51
D338,980	S *	8/1993	Dieperink	D26/87
5,690,415	A	11/1997	Krehl	
5,902,034	A	5/1999	Santosuosso et al.	
D421,815	S *	3/2000	Herst et al.	D26/76

D432,696	S *	10/2000	Ford	D26/76
RE37,310	E *	8/2001	Shemitz	362/225
6,270,232	B1	8/2001	Shemitz et al.	
D450,874	S *	11/2001	Heiny et al.	D26/78
D452,340	S *	12/2001	Pickett et al.	D26/76
6,431,721	B2	8/2002	Shemitz et al.	
D468,473	S *	1/2003	Shemitz et al.	D26/76
6,558,017	B1	5/2003	Saraiji et al.	
D489,472	S *	5/2004	Newhouse et al.	D26/75
6,753,429	B2	6/2004	Theodoridis et al.	
6,808,285	B2	10/2004	Shemitz et al.	
6,827,465	B2	12/2004	Shemitz et al.	
D512,526	S *	12/2005	Zucker	D26/76
D520,665	S *	5/2006	Jiang	D26/76

\* cited by examiner

*Primary Examiner*—Louis S. Zarfaz

*Assistant Examiner*—Susan E Krakower

(74) *Attorney, Agent, or Firm*—Alexander P. Brackett;  
Middleton Reutlinger

(57) **CLAIM**

The ornamental design for a wide angle display lighting system, as shown and described.

**DESCRIPTION**

FIG. 1 is a perspective view of a wide angle display lighting system showing my design;

FIG. 2 is a bottom plan view thereof;

FIG. 3 is a side elevational view thereof;

FIG. 4 is a top plan view thereof;

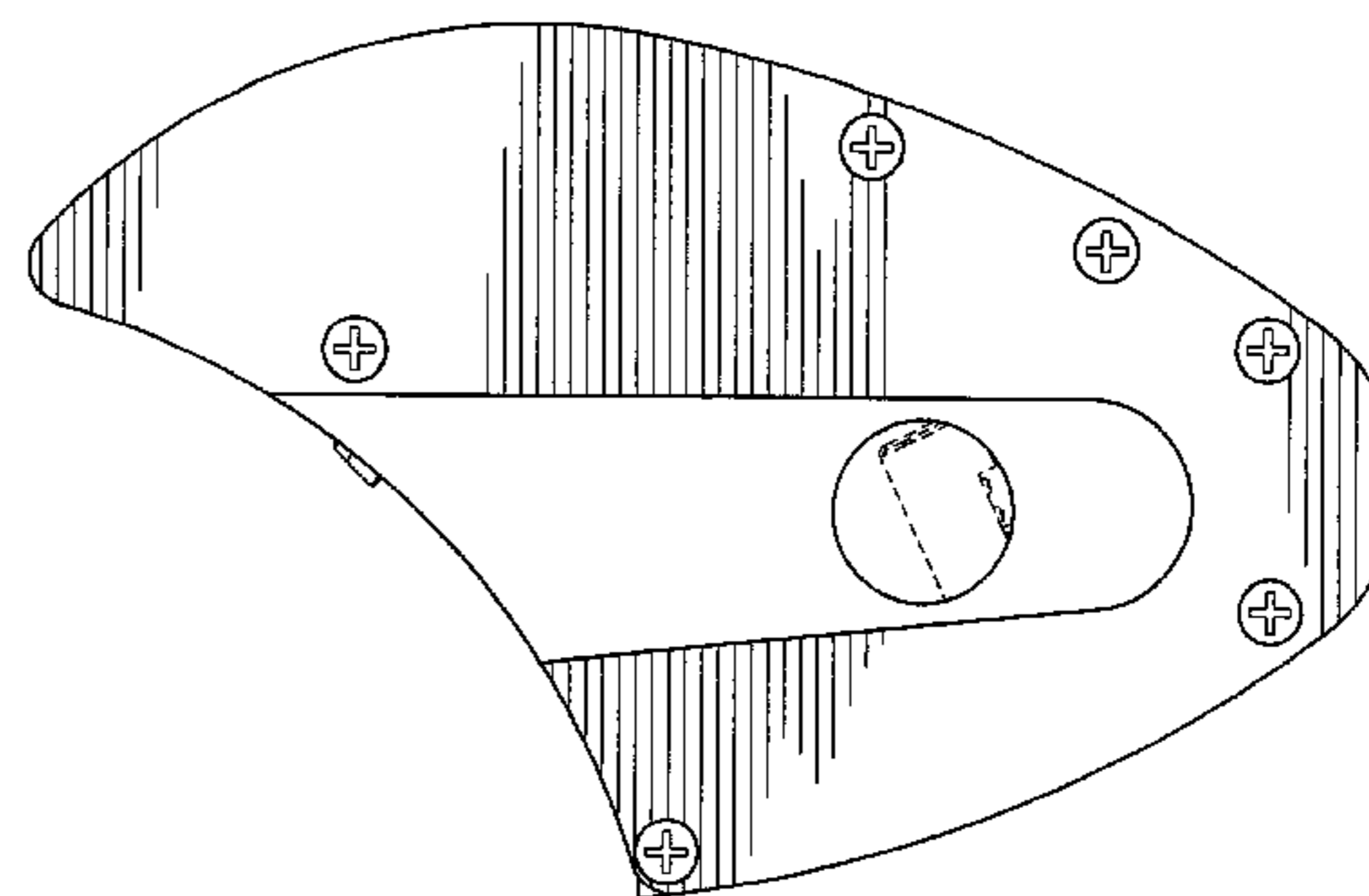
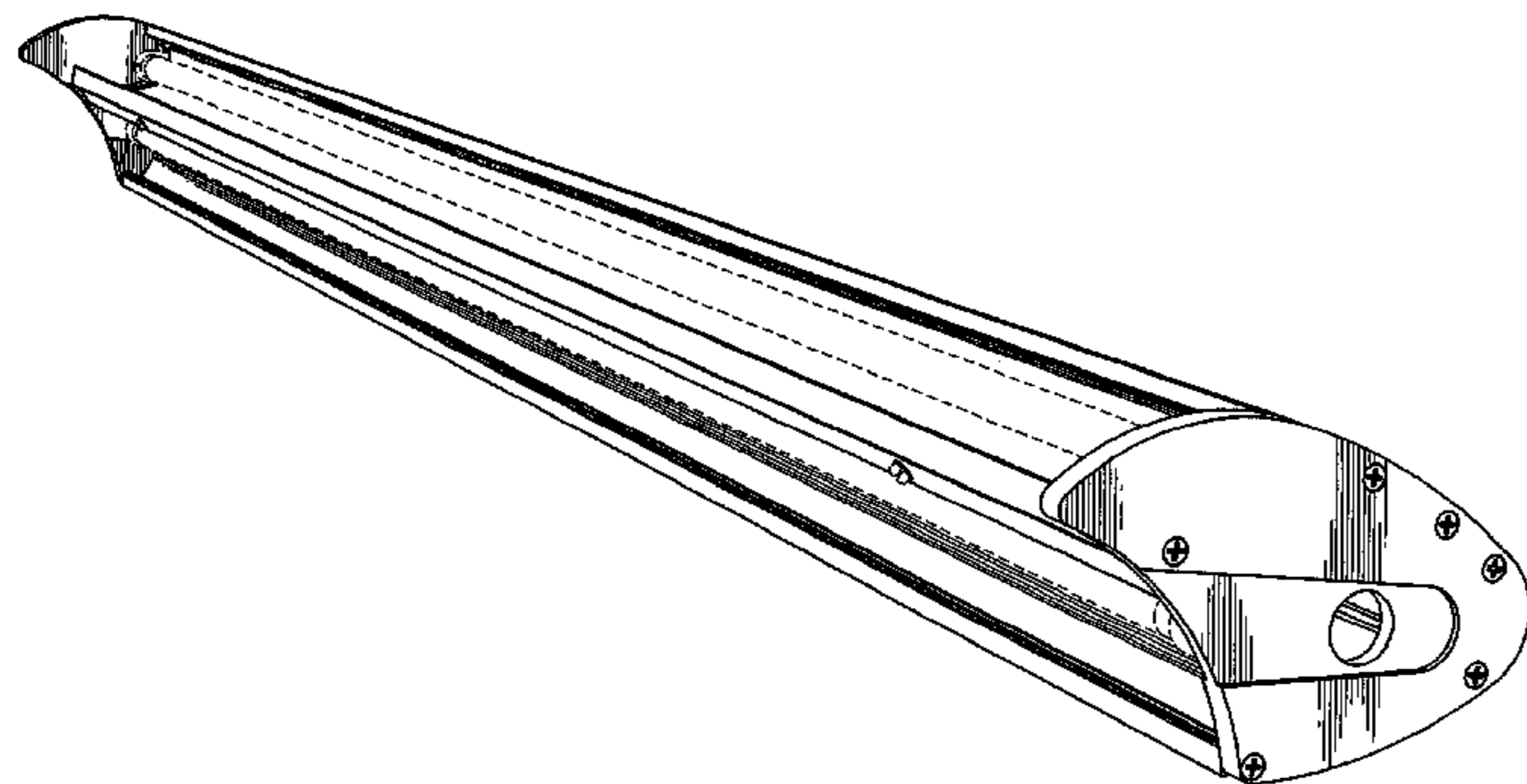
FIG. 5 is a right end elevational view thereof;

FIG. 6 is a left end elevational view thereof; and,

FIG. 7 is an inverted side elevational view thereof.

The broken line showing of fluorescent tubes are included for the purpose of illustrating environmental structure and forms no part of the claimed design.

**1 Claim, 7 Drawing Sheets**



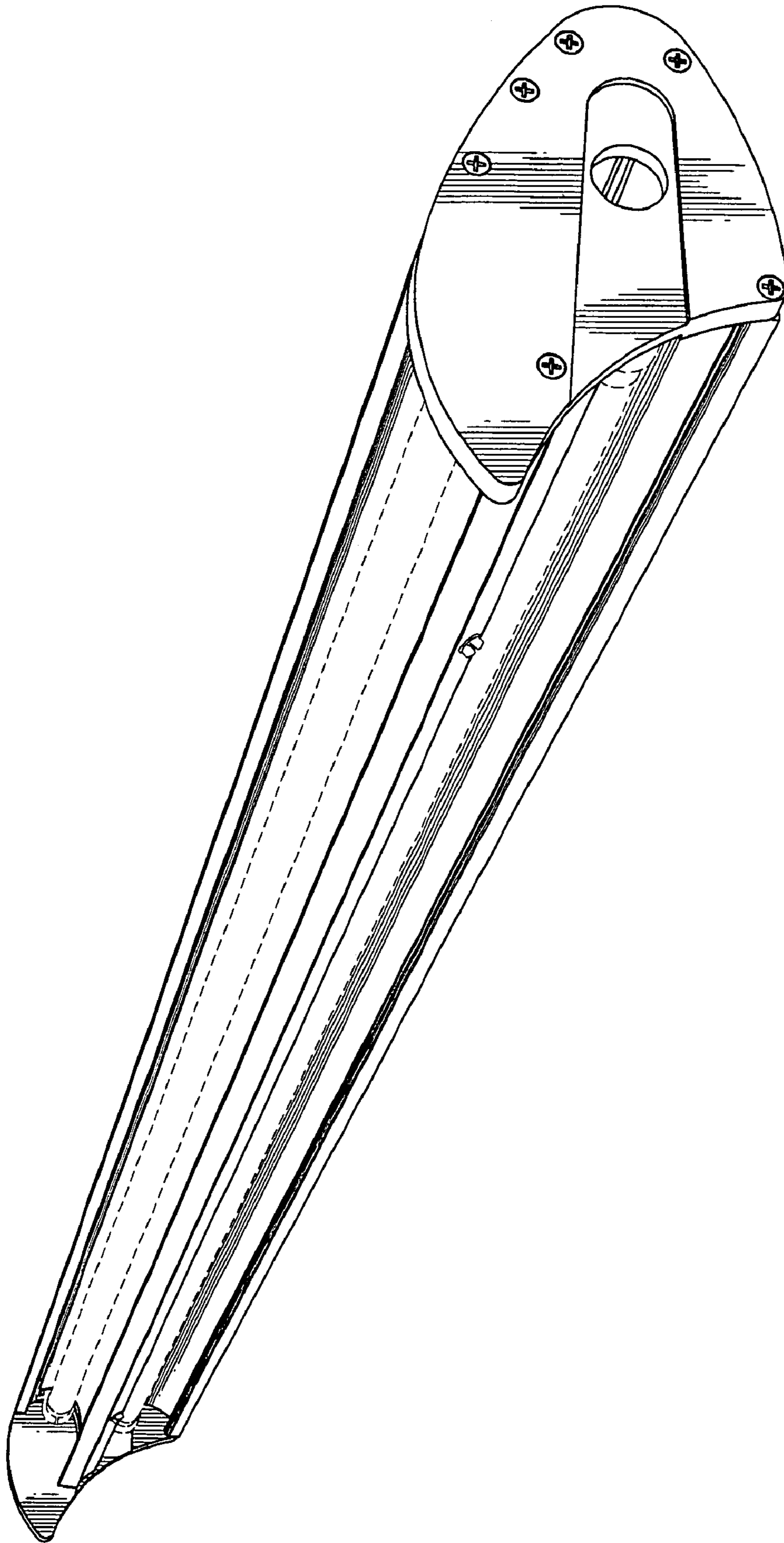


FIG. 1

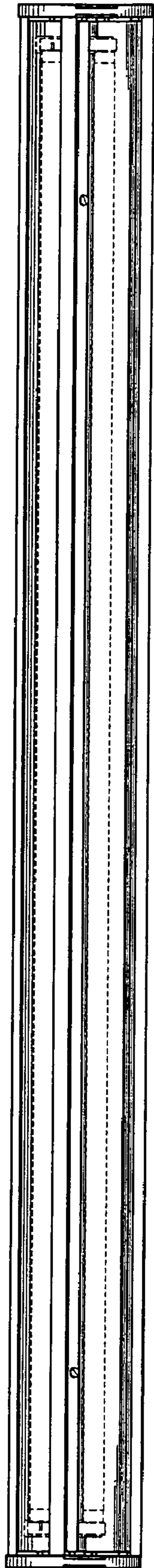


FIG. 2

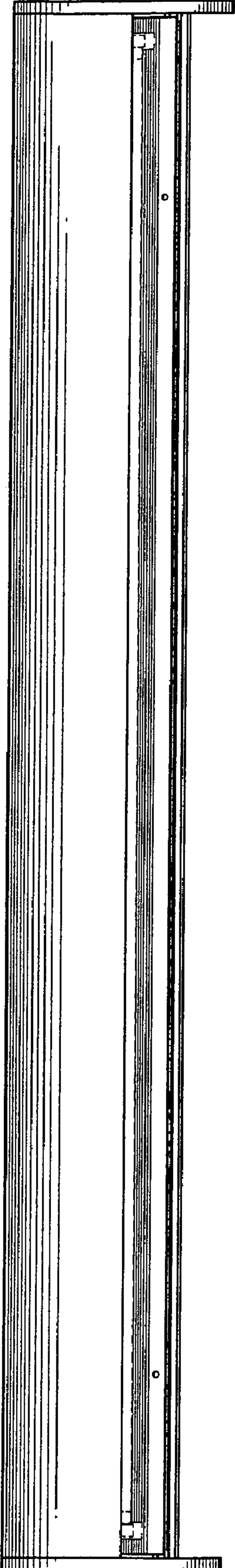


FIG. 3

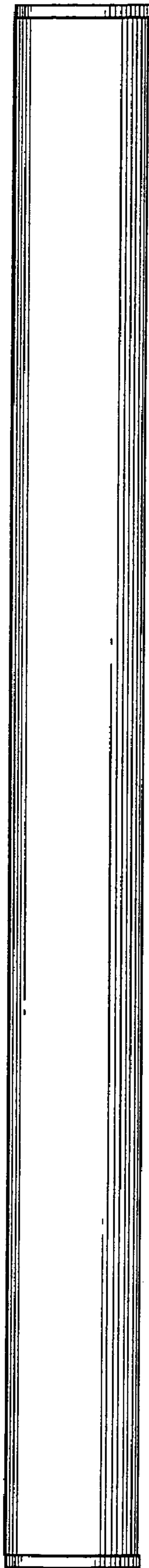


FIG. 4

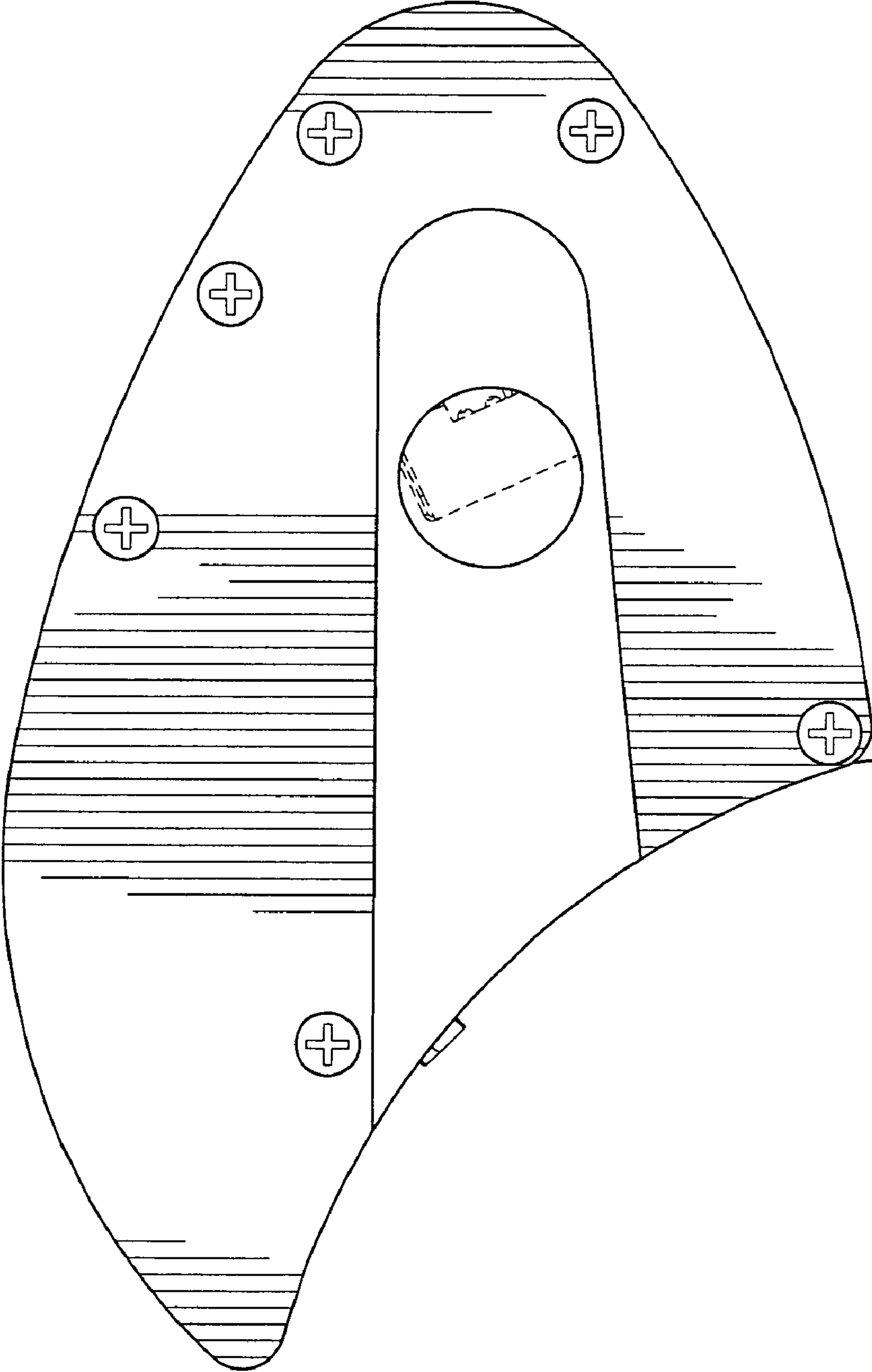


FIG. 5

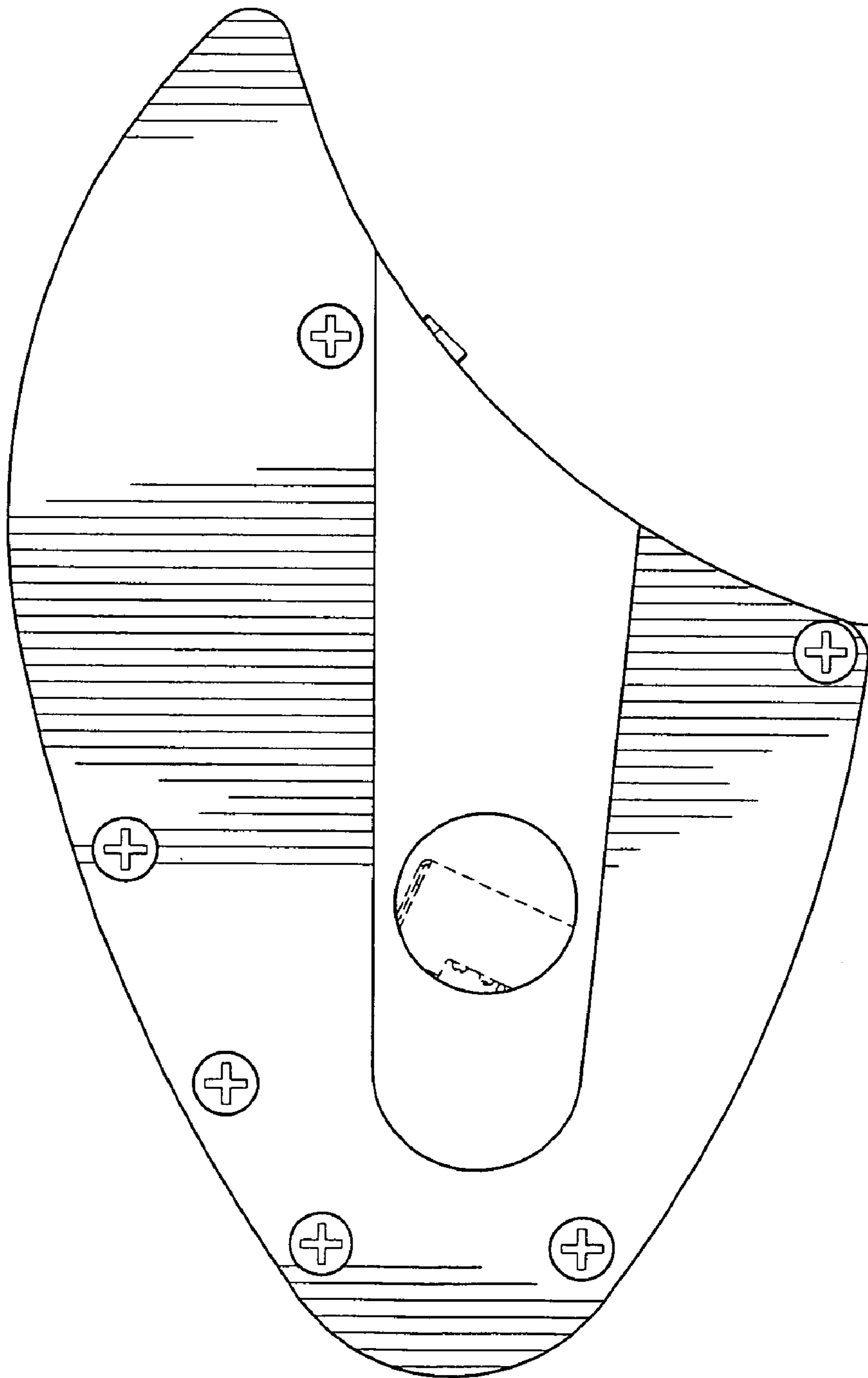


FIG. 6

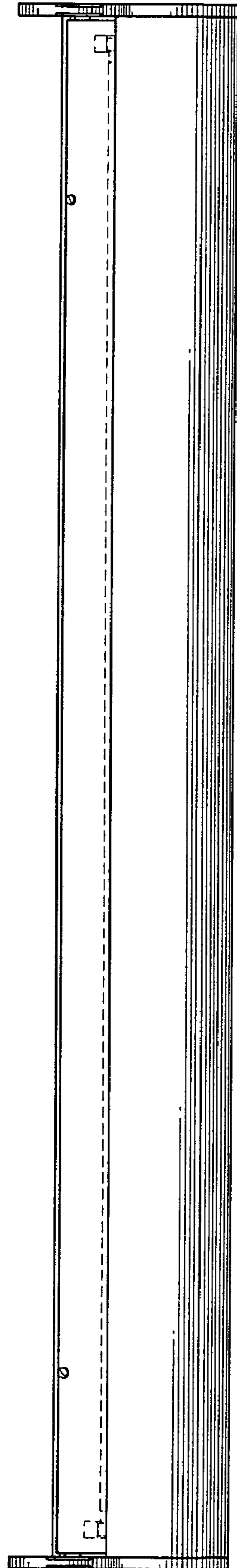


FIG. 7