

US00D553284S

(12) **United States Design Patent**
Bucher et al.

(10) **Patent No.:** **US D553,284 S**

(45) **Date of Patent:** **** Oct. 16, 2007**

(54) **SOLAR ENERGY LAMP**

(75) Inventors: **John C. Bucher**, Ft. Lauderdale, FL (US); **Tien-San Lowe**, Ft. Lauderdale, FL (US); **Shou-Ping Wang**, Taichung (TW)

(73) Assignee: **King of Fans, Inc.**, Ft. Lauderdale, FL (US)

(**) Term: **14 Years**

(21) Appl. No.: **29/245,105**

(22) Filed: **Dec. 20, 2005**

(51) **LOC (8) Cl.** **26-05**

(52) **U.S. Cl.** **D26/67**

(58) **Field of Classification Search** D26/67,
D26/68, 70, 71, 72, 85, 87, 91, 92, 128; 362/145,
362/153, 153.1, 157, 183, 190, 191, 266,
362/362, 431, 812

See application file for complete search history.

(56) **References Cited**

U.S. PATENT DOCUMENTS

D217,086 S * 4/1970 Miller D26/91
D463,606 S * 9/2002 Orozco D26/87
D465,059 S * 10/2002 De'Armond D26/87

D465,873 S * 11/2002 De'Armond D26/92
D495,084 S * 8/2004 Hon et al. D26/67
D497,684 S * 10/2004 Hon et al. D26/67
D500,382 S * 12/2004 Phillips D26/92
D518,224 S * 3/2006 De'Armond D26/92

* cited by examiner

Primary Examiner—Clare E Heflin

(74) *Attorney, Agent, or Firm*—Morgan, Lewis & Bockius LLP

(57) **CLAIM**

The ornamental design for solar energy lamp, as shown and described.

DESCRIPTION

FIG. 1 is a perspective view of solar energy lamp showing our new design;

FIG. 2 is a front elevational view thereof;

FIG. 3 is a rear elevational view thereof;

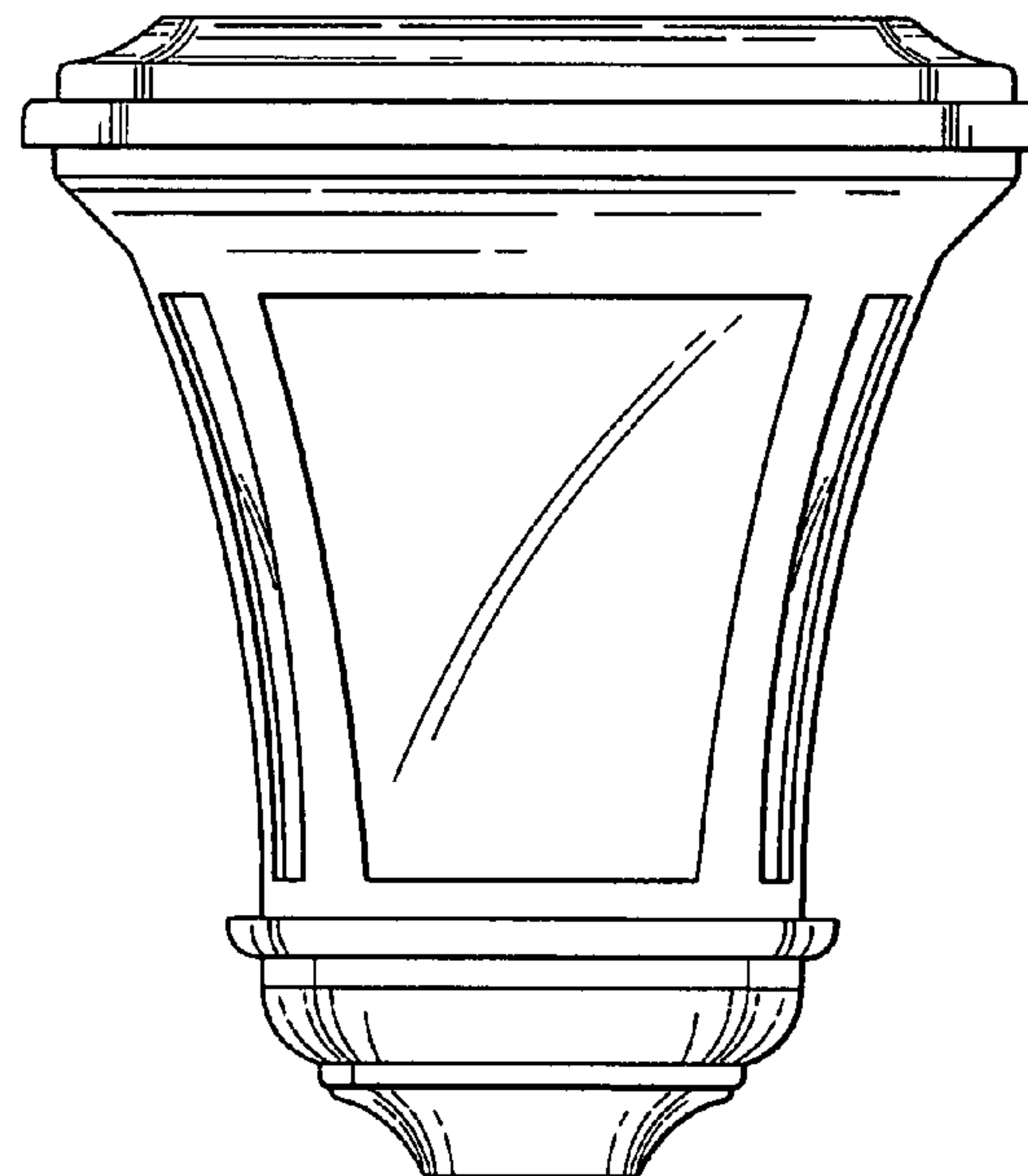
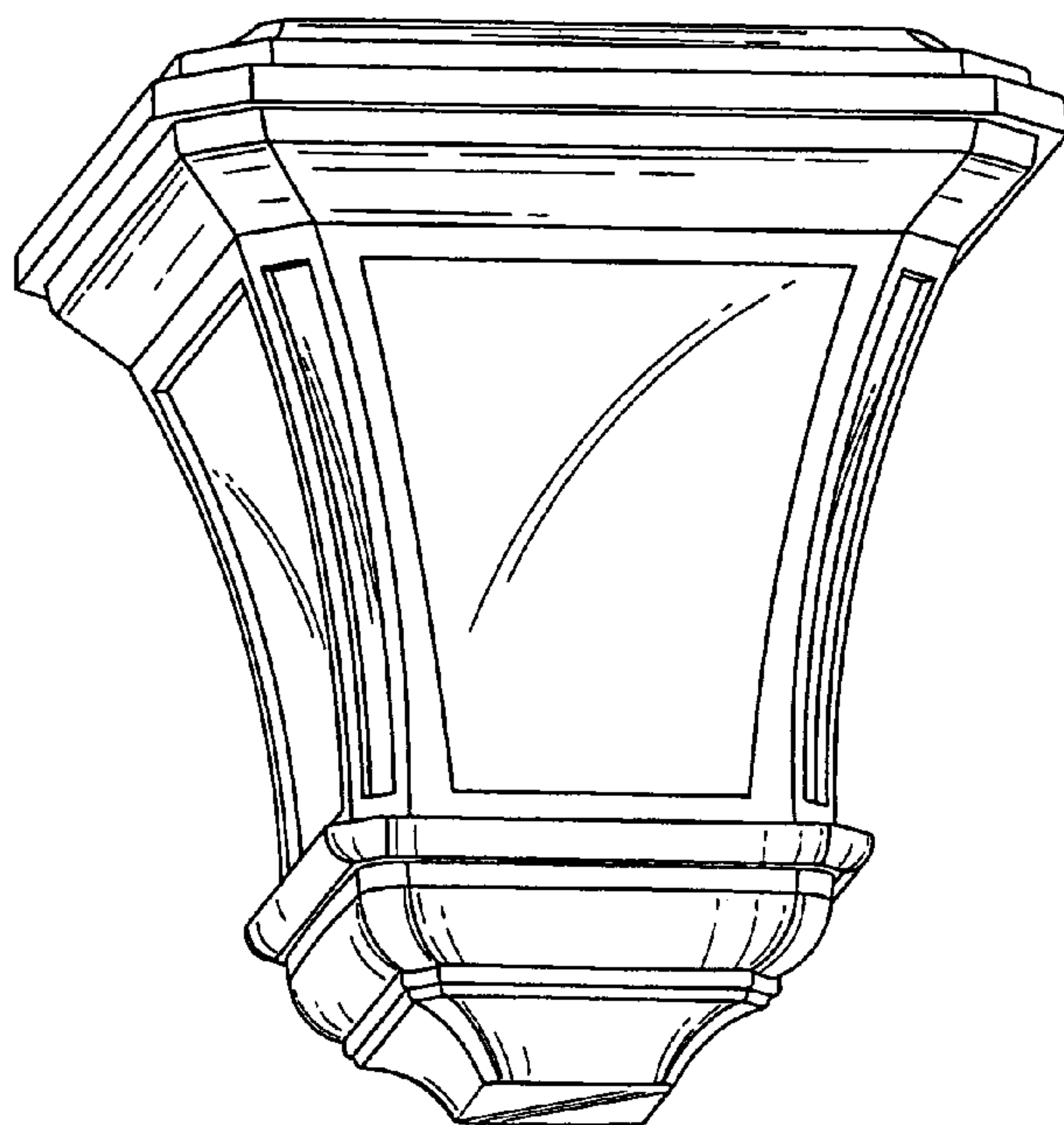
FIG. 4 is a left side elevational view thereof;

FIG. 5 is a right side elevational view thereof;

FIG. 6 is a top plan view thereof; and,

FIG. 7 is a bottom plan view thereof.

1 Claim, 4 Drawing Sheets



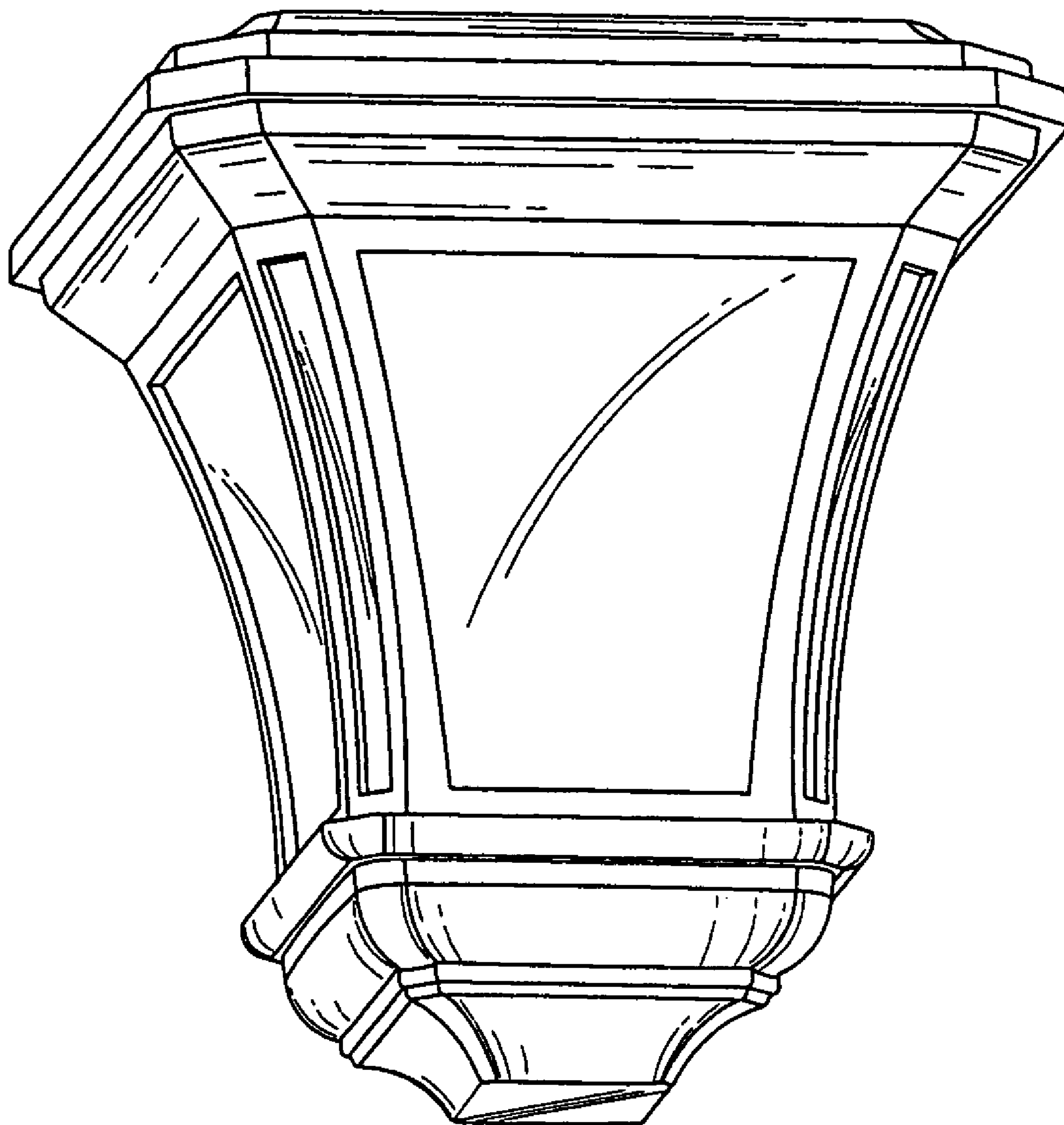


FIG. 1

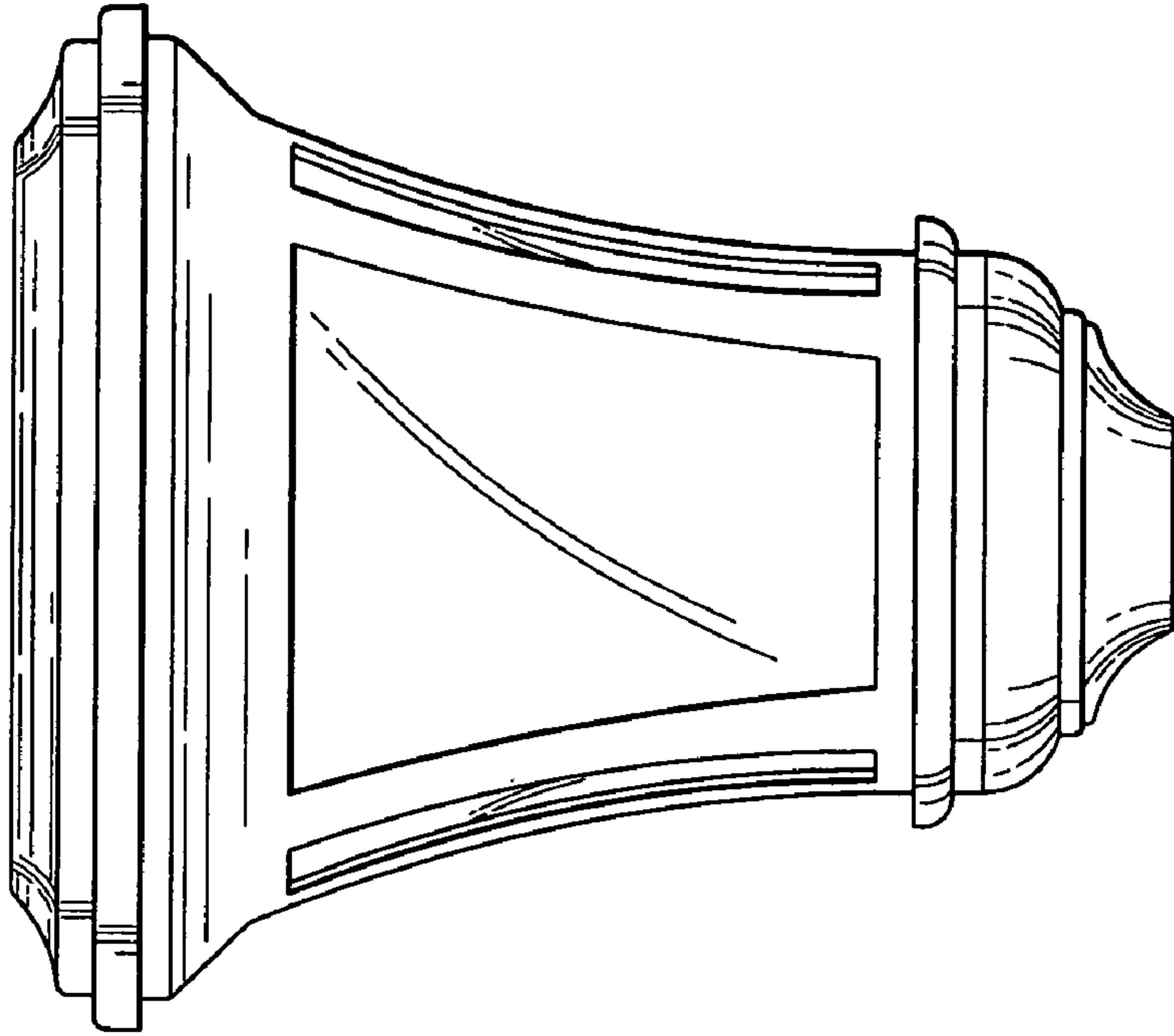


FIG. 2

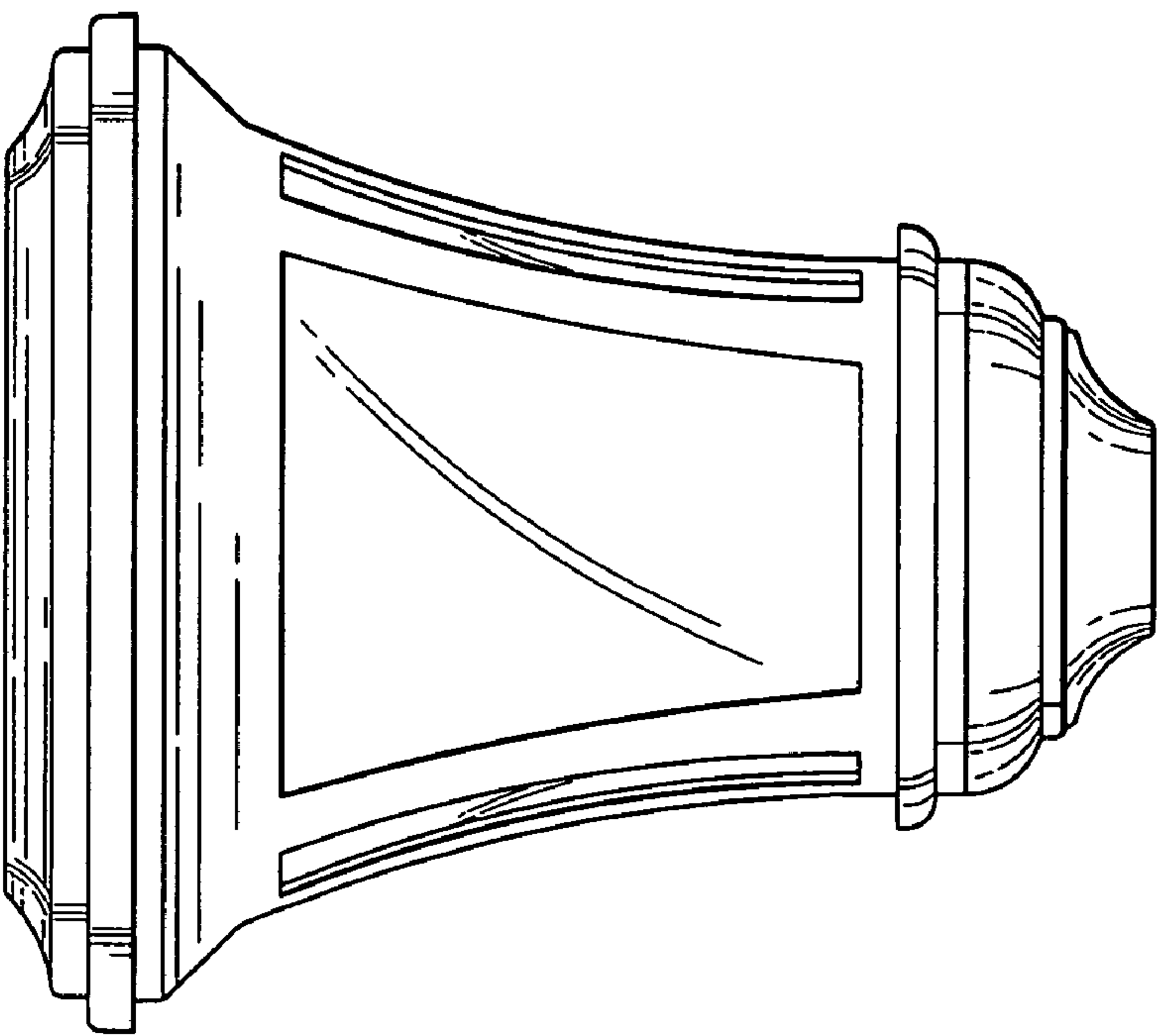


FIG. 3

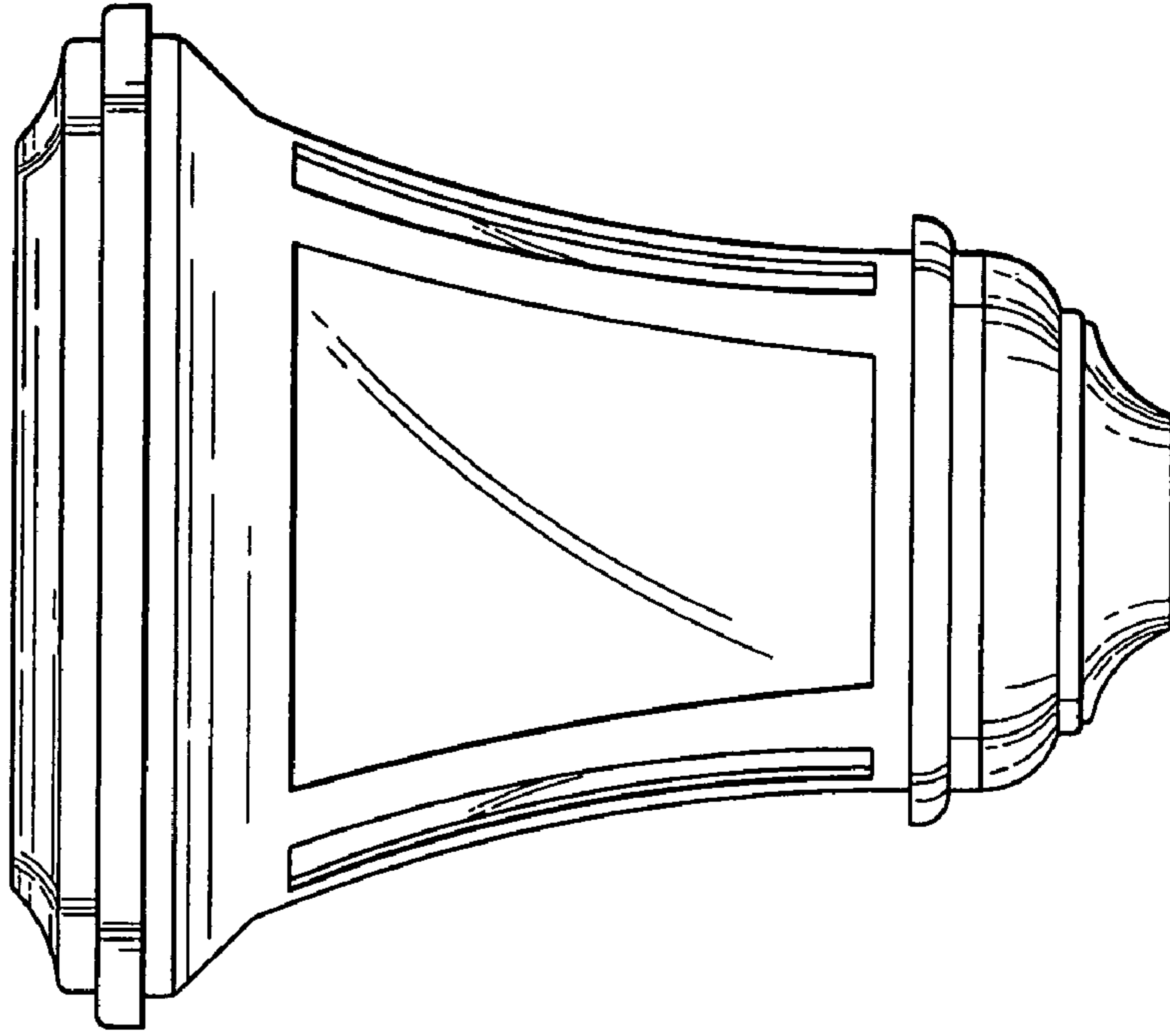


FIG. 5

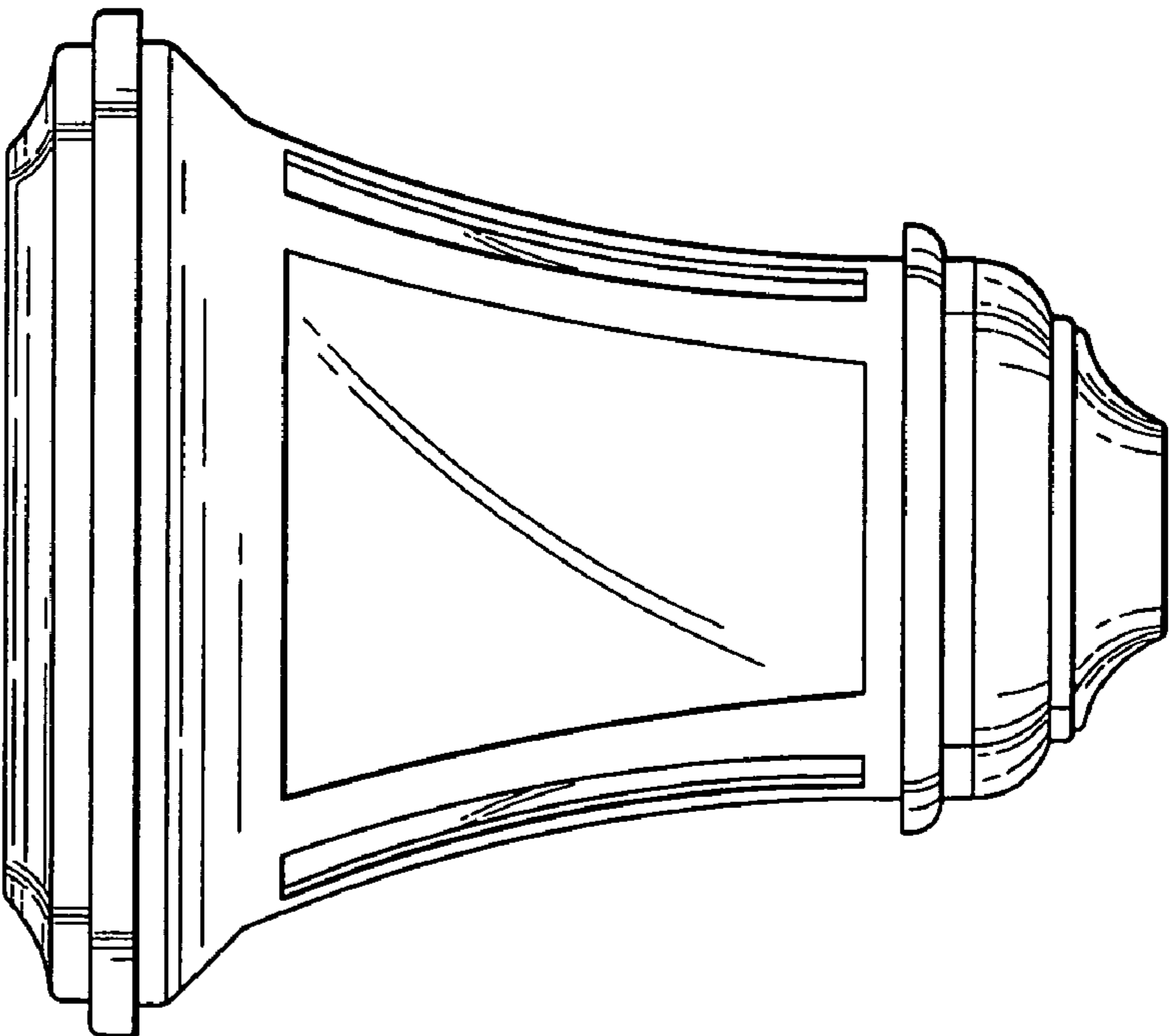


FIG. 4

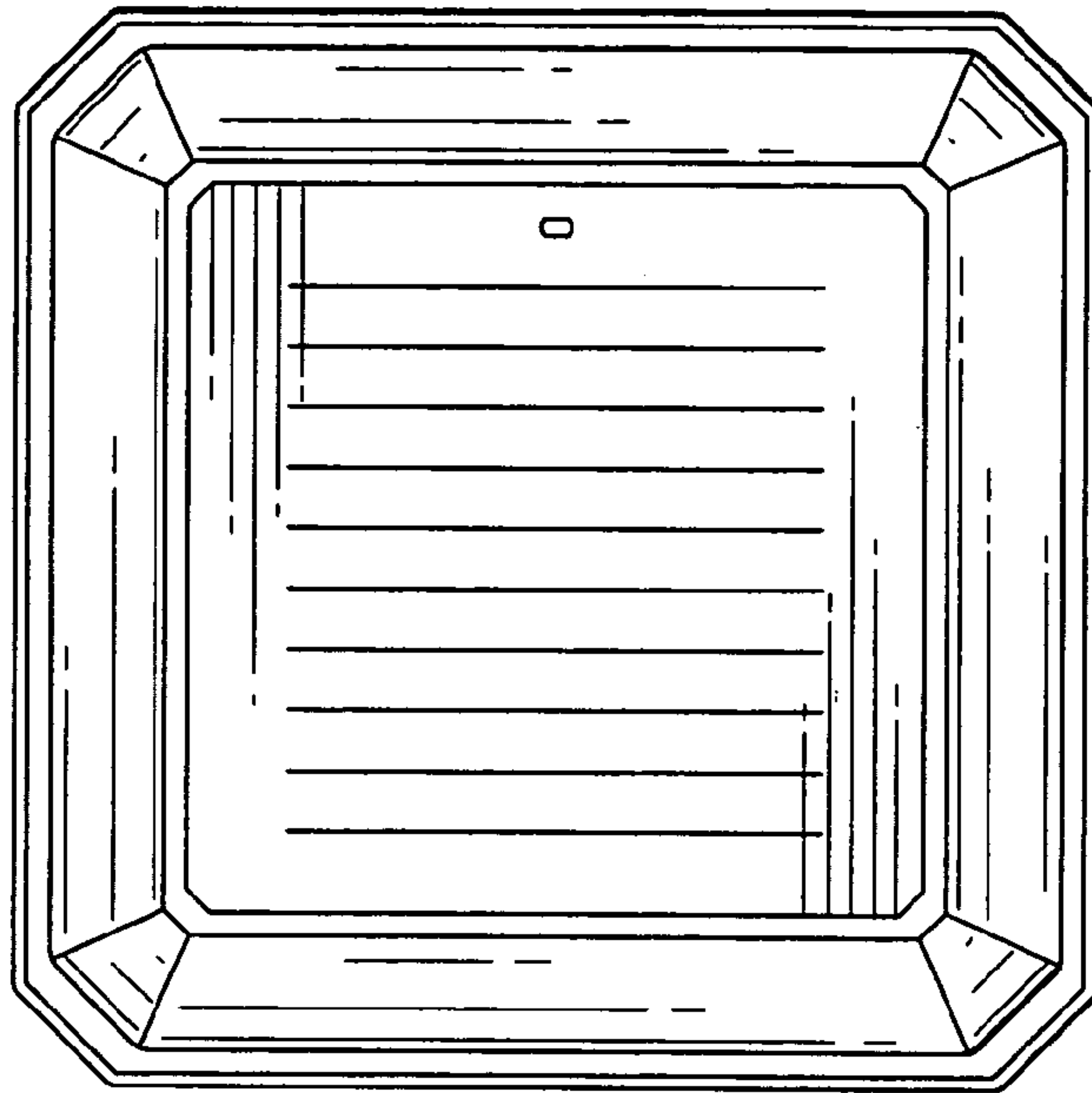


FIG. 6

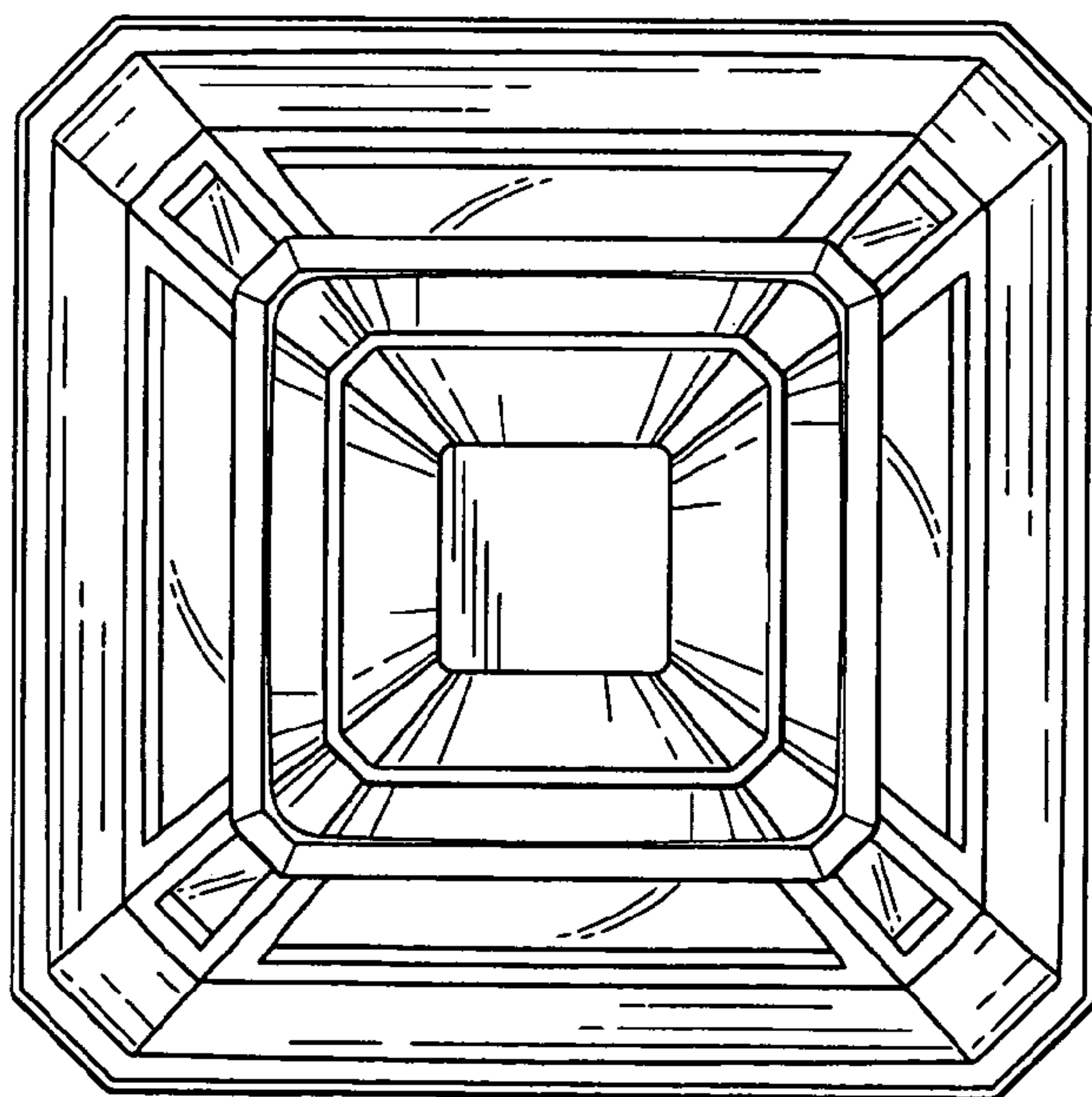


FIG. 7