



US00D553282S

(12) **United States Design Patent**  
**Zhu**

(10) **Patent No.:** **US D553,282 S**  
(45) **Date of Patent:** **\*\* Oct. 16, 2007**

- (54) **FLASHLIGHT**
- (75) Inventor: **Cheng Bing Zhu**, Ningbo (CN)
- (73) Assignee: **Taisun Corporation**, Bellflower, CA (US)
- (\*\*) Term: **14 Years**
- (21) Appl. No.: **29/263,124**
- (22) Filed: **Jul. 17, 2006**
- (51) **LOC (8) Cl.** ..... **26-02**
- (52) **U.S. Cl.** ..... **D26/49**
- (58) **Field of Classification Search** ..... D26/37, D26/40, 42, 46, 48, 49, 50; 362/157, 158, 362/171-174, 183, 184, 187, 190, 196, 199, 362/202, 203, 204, 205, 206, 208  
See application file for complete search history.

- D308,109 S 5/1990 Maglica et al.
- D308,731 S 6/1990 Maglica et al.
- 4,942,505 A 7/1990 Maglica
- 4,956,755 A 9/1990 Maglica et al.
- 4,980,805 A 12/1990 Maglica
- 5,003,440 A 3/1991 Maglica
- 5,008,785 A 4/1991 Maglica et al.
- 5,062,026 A 10/1991 Maglica et al.

(Continued)

*Primary Examiner*—Charles A. Rademaker  
*Assistant Examiner*—Carissa C Fitts  
(74) *Attorney, Agent, or Firm*—Jansson Shupe & Munger Ltd.

(57) **CLAIM**

The ornamental design for a flashlight, as shown and described.

**DESCRIPTION**

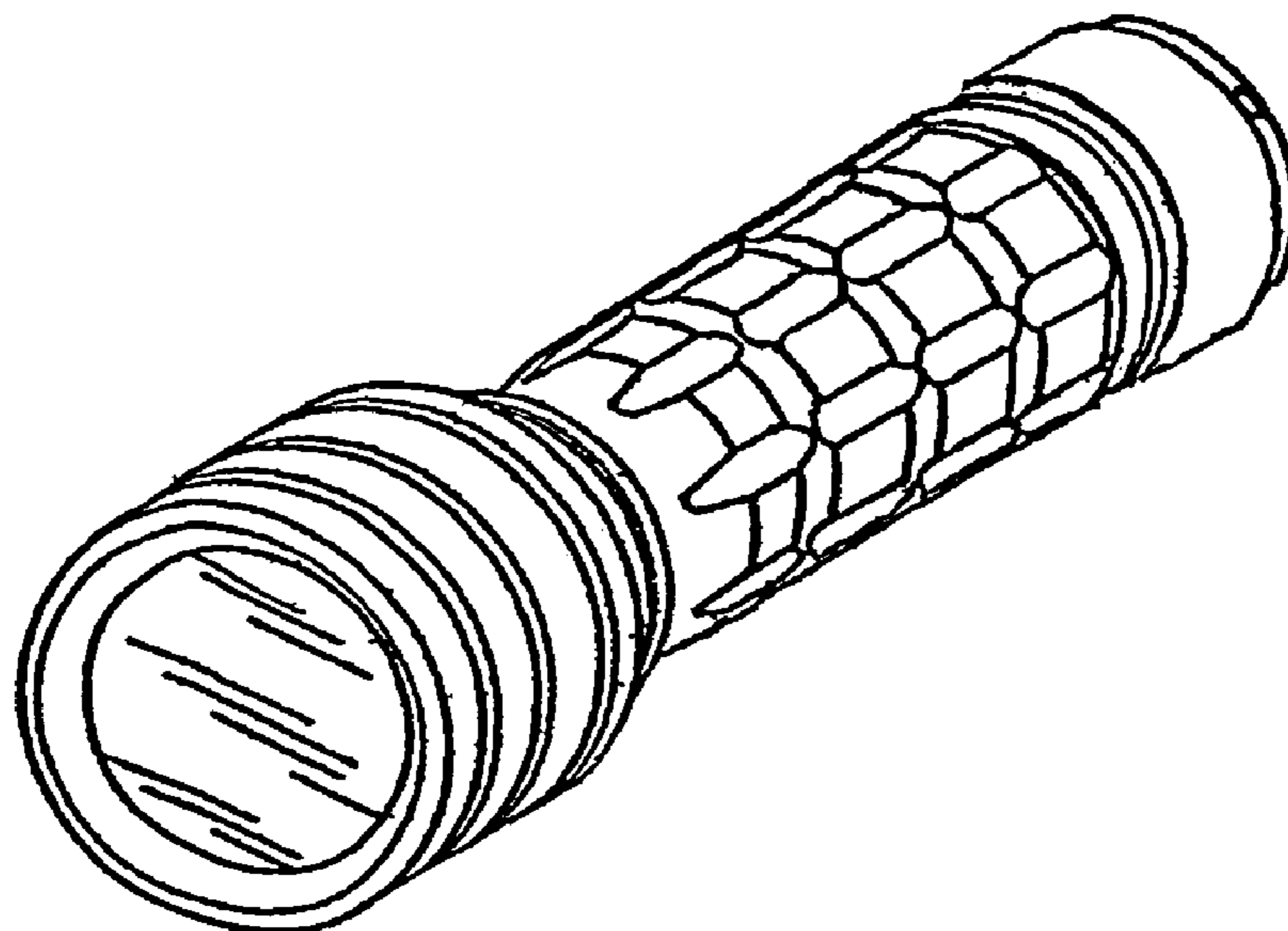
FIG. 1 is a perspective view of a flashlight.  
FIG. 2 is a front elevational view of the flashlight.  
FIG. 3 is a rear elevational view of the flashlight.  
FIG. 4 is a top plan view of the flashlight.  
FIG. 5 is a bottom plan view of the flashlight; and,  
FIG. 6 is a left side elevational view of the flashlight. A right side elevational view of the flashlight is not shown as it is a mirror image of the right side elevational view.  
This design is not limited to the exact details shown in the drawings since equivalents and colorable imitations will be evident to a person of ordinary skill in the art. Thus, within the scope of the appended claim, the invention may be practiced otherwise than as specifically shown and described herein.

(56) **References Cited**

U.S. PATENT DOCUMENTS

4,286,311 A	8/1981	Maglica	
D263,170 S	2/1982	Maglica	
D263,258 S *	3/1982	Zeller	..... D26/49
4,456,348 A	6/1984	Schulz et al.	
4,527,223 A	7/1985	Maglica	
4,577,263 A	3/1986	Maglica	
4,656,565 A	4/1987	Maglica	
4,658,336 A	4/1987	Maglica	
4,819,141 A	4/1989	Maglica et al.	
4,823,242 A	4/1989	Maglica et al.	
4,841,417 A	6/1989	Maglica et al.	
4,851,974 A	7/1989	Maglica	
D303,107 S	8/1989	Maglica et al.	
4,864,474 A	9/1989	Maglica	
4,885,668 A	12/1989	Maglica et al.	
4,899,265 A	2/1990	Maglica	
D307,057 S *	4/1990	Seok	..... D26/49

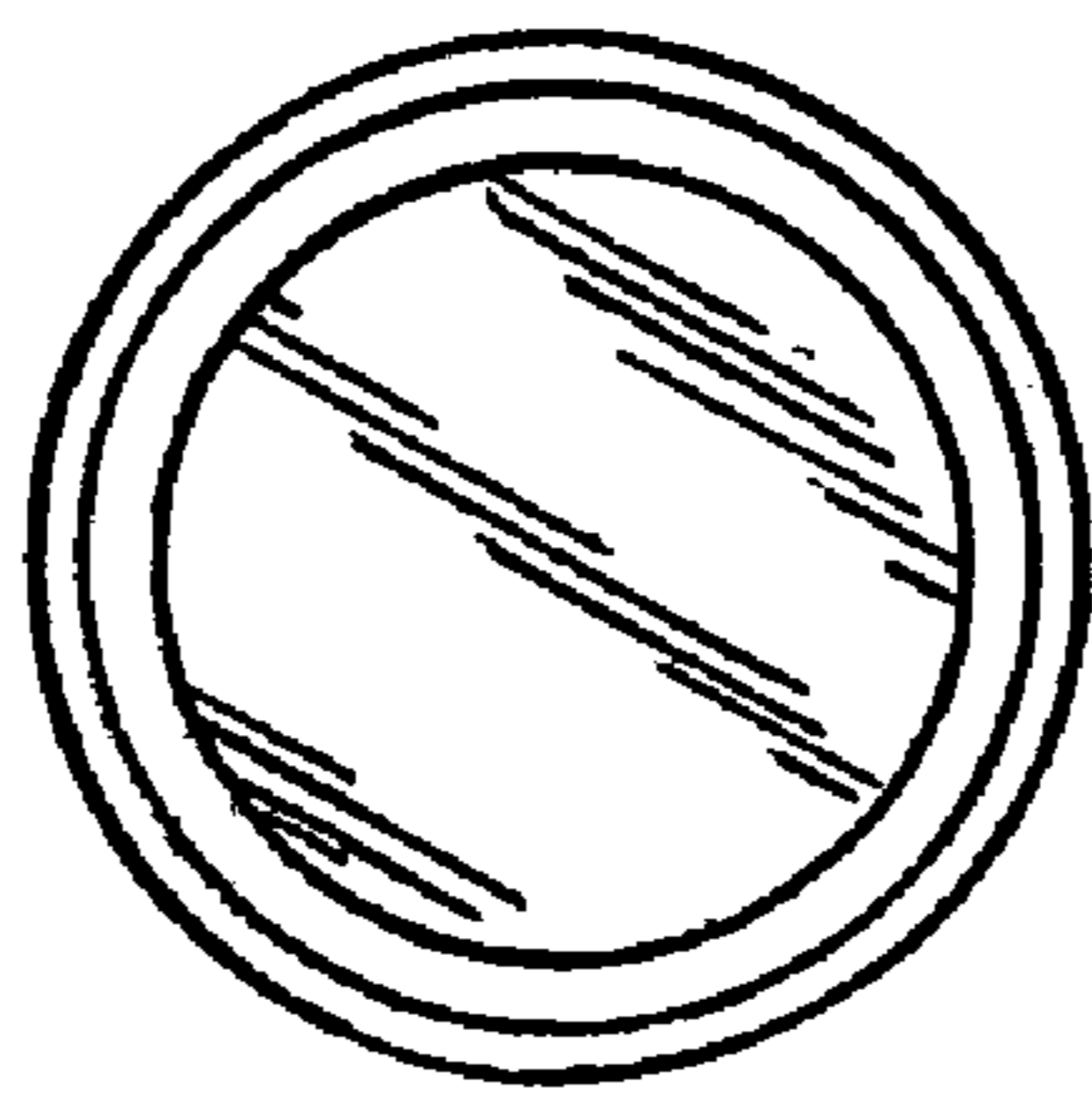
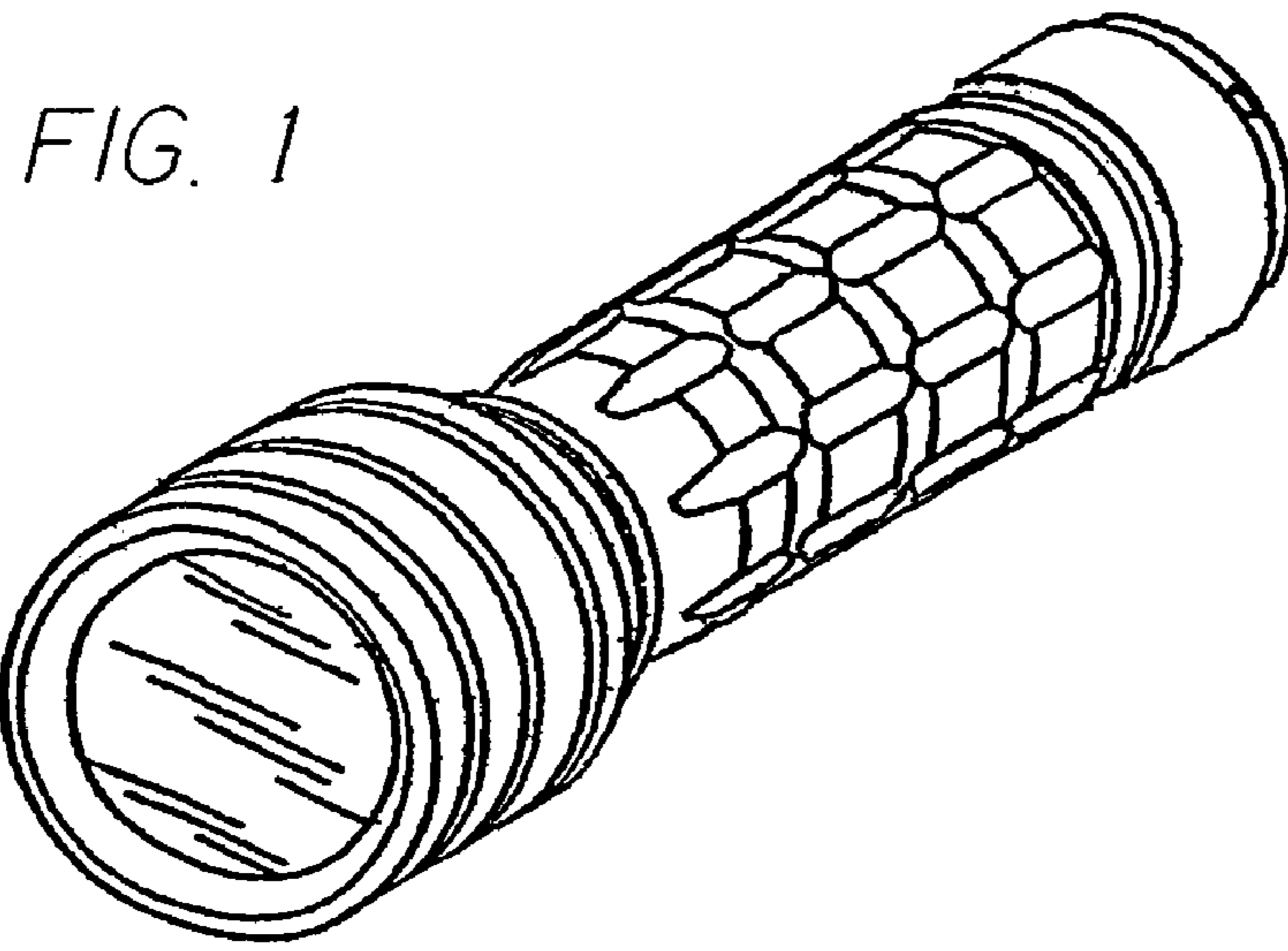
**1 Claim, 2 Drawing Sheets**



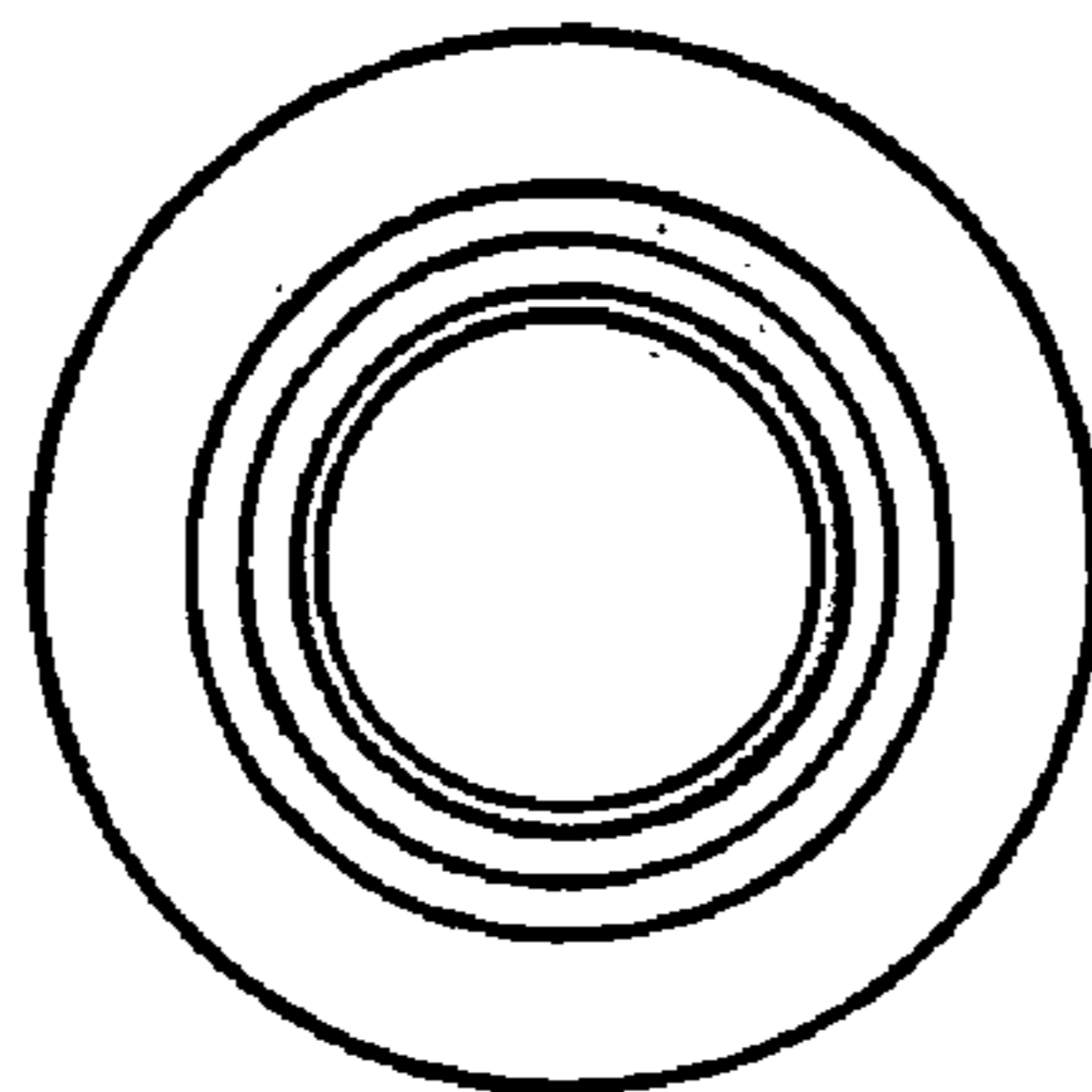
# US D553,282 S

U.S. PATENT DOCUMENTS					
		5,528,472 A	6/1996	Maglica	
		5,548,495 A	8/1996	Maglica	
5,109,321 A	4/1992	5,593,222 A	1/1997	Maglica	
5,113,326 A	5/1992	5,645,955 A	7/1997	Maglica	
5,121,308 A	6/1992	5,660,363 A	8/1997	Maglica	
5,128,841 A	7/1992	5,667,185 A	9/1997	Maglica	
5,143,441 A	9/1992	5,722,765 A	3/1998	Maglica	
5,158,358 A	10/1992	5,749,645 A	5/1998	Maglica	
5,165,782 A	11/1992	5,795,675 A	8/1998	Maglica	
5,184,884 A	2/1993	5,804,331 A	9/1998	Maglica	
5,193,898 A	3/1993	5,806,964 A	9/1998	Maglica	
D335,718 S	5/1993	5,833,354 A	11/1998	Maglica	
5,207,502 A	5/1993	5,836,672 A	11/1998	Maglica et al.	
D336,535 S	6/1993	5,860,728 A	1/1999	Maglica	
D337,172 S	7/1993	5,865,526 A	2/1999	Maglica	
5,226,722 A	7/1993	6,086,219 A	7/2000	Maglica	
5,260,858 A	11/1993	6,170,960 B1	1/2001	Maglica	
5,267,130 A	11/1993	6,193,389 B1	2/2001	Maglica	
5,267,131 A	11/1993	6,196,698 B1	3/2001	Maglica	
D342,333 S	12/1993	6,296,368 B1	10/2001	Maglica et al.	
5,270,911 A	12/1993	6,345,900 B2	2/2002	Maglica	
5,293,307 A	3/1994	6,357,893 B1	3/2002	Belliveau	
5,315,494 A	5/1994	6,361,183 B1	3/2002	Maglica	
D348,112 S	6/1994	6,428,182 B1	8/2002	Maglica	
5,349,506 A	9/1994	6,457,840 B2	10/2002	Maglica et al.	
D351,245 S	10/1994	6,554,449 B2	4/2003	Maglica	
D353,217 S	12/1994	6,575,592 B2	6/2003	Maglica	
D353,986 S	1/1995	6,802,624 B2	10/2004	Maglica	
5,390,091 A	2/1995	6,802,625 B2	10/2004	Maglica	
5,400,227 A	3/1995	D512,525 S *	12/2005	Yang ..... D26/49	
D363,361 S	10/1995	D515,230 S *	2/2006	Galli ..... D26/49	
5,455,752 A	10/1995	D531,746 S *	11/2006	Zhu ..... D26/49	
5,485,360 A	1/1996	D537,970 S *	3/2007	Shiu ..... D26/49	
D367,721 S	3/1996	2003/0021109 A1 *	1/2003	Matthews et al. .... 362/202	
D368,147 S *	3/1996				
5,515,246 A	5/1996				
D370,989 S *	6/1996				

\* cited by examiner



*FIG. 2*



*FIG. 3*

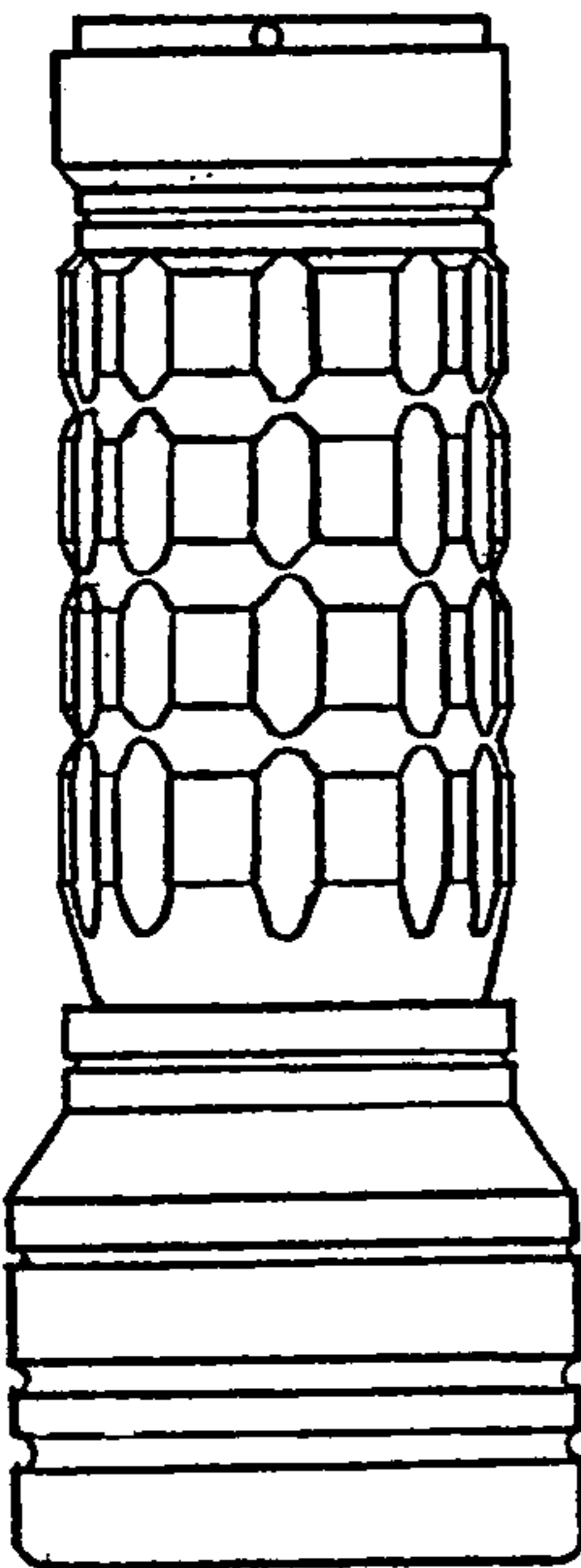


FIG. 4

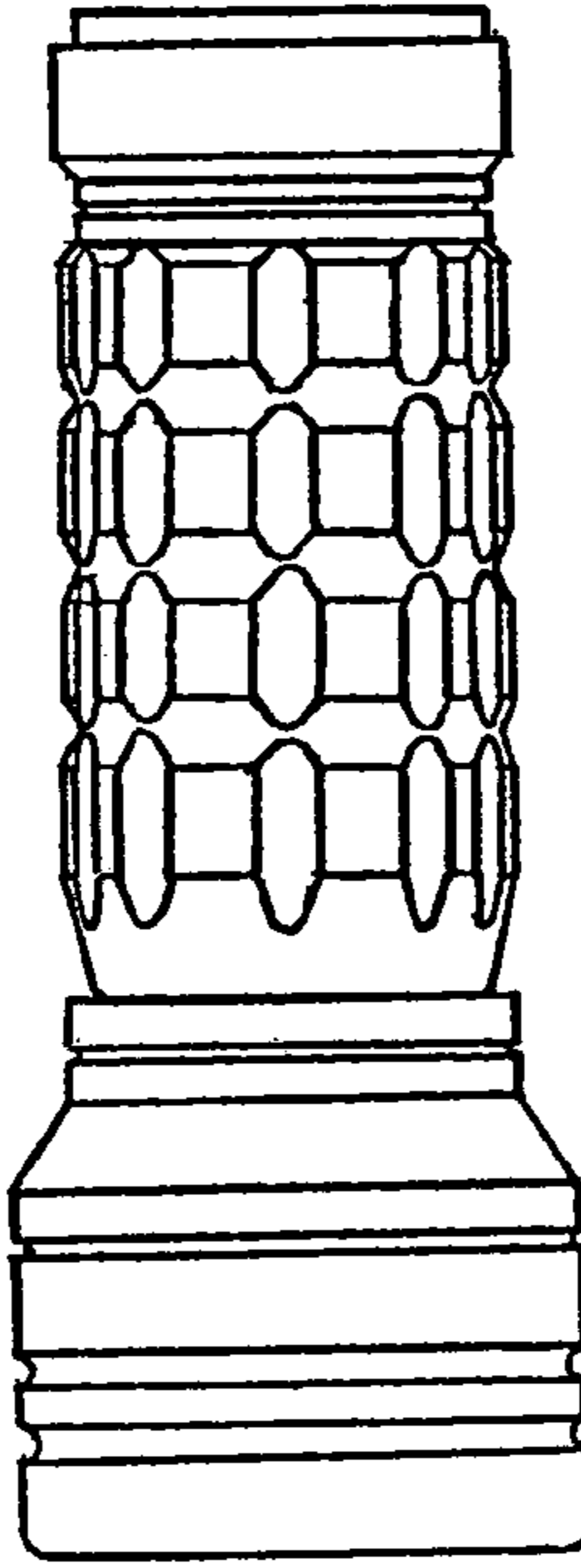


FIG. 5

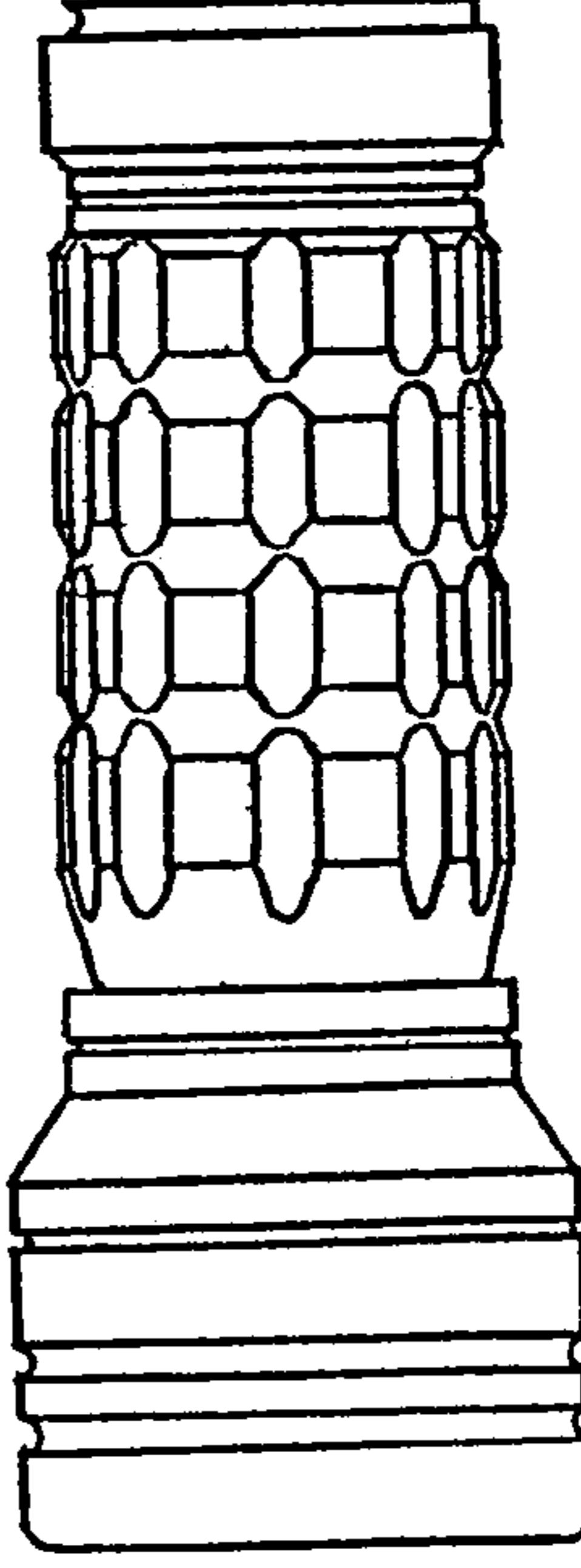


FIG. 6

UNITED STATES PATENT AND TRADEMARK OFFICE  
**CERTIFICATE OF CORRECTION**

PATENT NO. : Des. 553,282 S  
APPLICATION NO. : 29/263124  
DATED : October 16, 2007  
INVENTOR(S) : Zhu

Page 1 of 1

It is certified that error appears in the above-identified patent and that said Letters Patent is hereby corrected as shown below:

On the Title page, delete item “(73) Assignee: Taisun Corporation, Bellflower, CA (US)” and insert --(73) Assignee: Waisun Corporation, Bellflower, CA (US)--.

Signed and Sealed this

Eighth Day of April, 2008

A handwritten signature in black ink that reads "Jon W. Dudas". The signature is written in a cursive style with a large, looped initial "J".

JON W. DUDAS

*Director of the United States Patent and Trademark Office*