



US00D553281S

(12) **United States Design Patent**
Rugendyke et al.

(10) **Patent No.:** **US D553,281 S**

(45) **Date of Patent:** **** Oct. 16, 2007**

(54) **FLASHLIGHT**

D533,673 S * 12/2006 Yuen D26/46

(75) Inventors: **Timothy Rugendyke**, Lakemba (AU);
Angelo Kotsis, Marrickville (AU);
Michael S. Squires, Ryde (AU);
Kenneth G. Bonham, Glossodia (AU)

* cited by examiner

Primary Examiner—Marcus A. Jackson
(74) *Attorney, Agent, or Firm*—Gregory J. Adams

(73) Assignee: **Eveready Battery Company, Inc.**, St. Louis, MO (US)

(57) **CLAIM**

We claim the ornamental design for a flashlight, as shown and described.

(**) Term: **14 Years**

(21) Appl. No.: **29/273,119**

DESCRIPTION

(22) Filed: **Feb. 27, 2007**

FIG. 1 is a perspective view of the flashlight of the present invention.

(51) **LOC (8) Cl.** **26-02**

FIG. 2 is a front view of the flashlight of the present invention.

(52) **U.S. Cl.** **D26/46**

FIG. 3 is a rear view of the flashlight of the present invention.

(58) **Field of Classification Search** D26/37–50,
D26/46; 362/157, 158, 171–174, 183–208

FIG. 4 is a left side view of the flashlight of the present invention.

See application file for complete search history.

FIG. 5 is a right side view of the flashlight of the present invention.

(56) **References Cited**

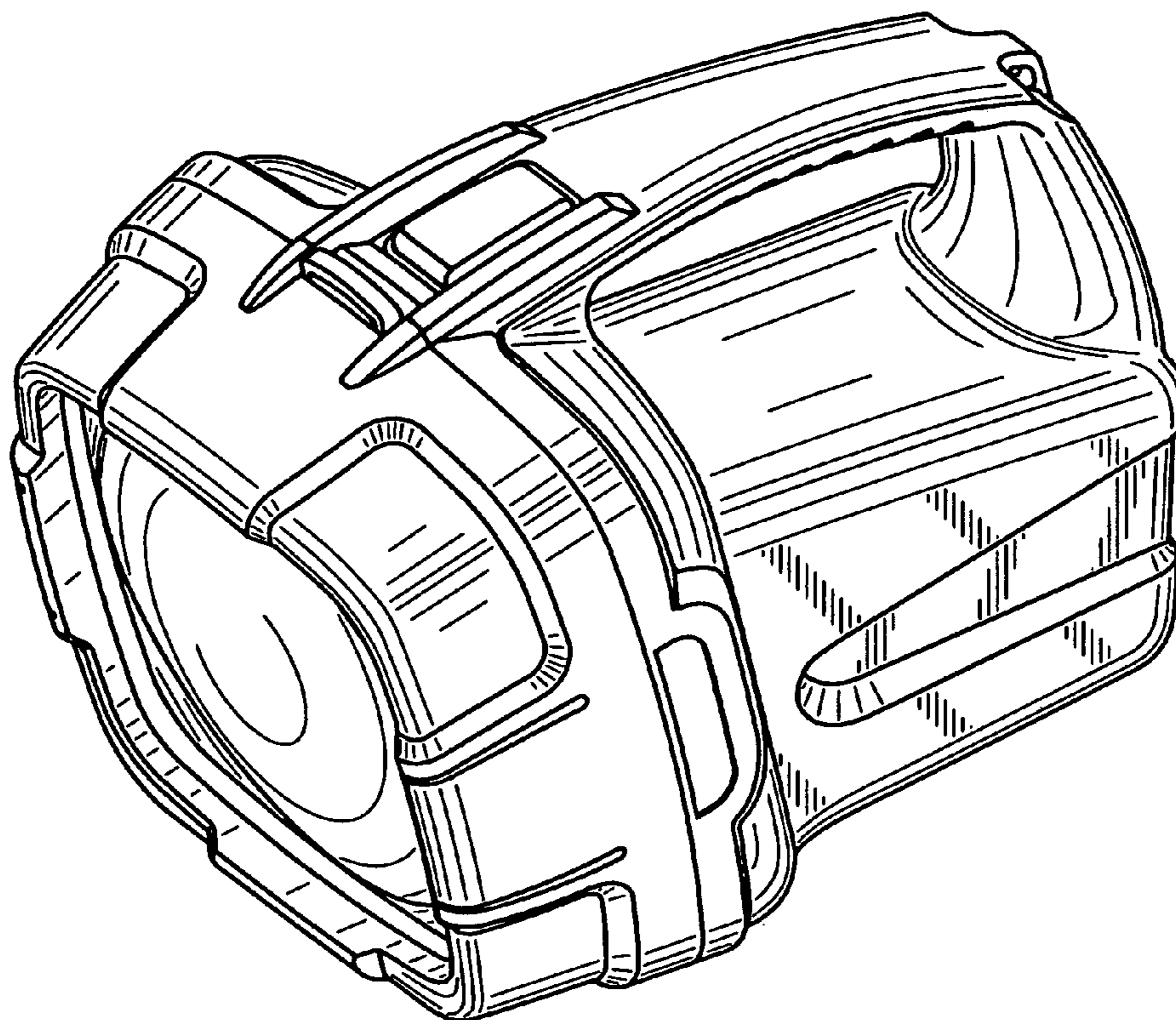
U.S. PATENT DOCUMENTS

D394,322 S	*	5/1998	Dalton et al.	D26/48
D415,850 S	*	10/1999	Dalton et al.	D26/48
D428,176 S	*	7/2000	Bamber et al.	D26/46
D452,022 S	*	12/2001	Osiecki et al.	D26/48
D476,104 S	*	6/2003	Dalton et al.	D26/48
D506,847 S	*	6/2005	Hussaini et al.	D26/46
D533,289 S	*	12/2006	Yuen	D26/46

FIG. 6 is a top view of the flashlight of the present invention; and,

FIG. 7 is a bottom view of the flashlight of the present invention.

1 Claim, 7 Drawing Sheets



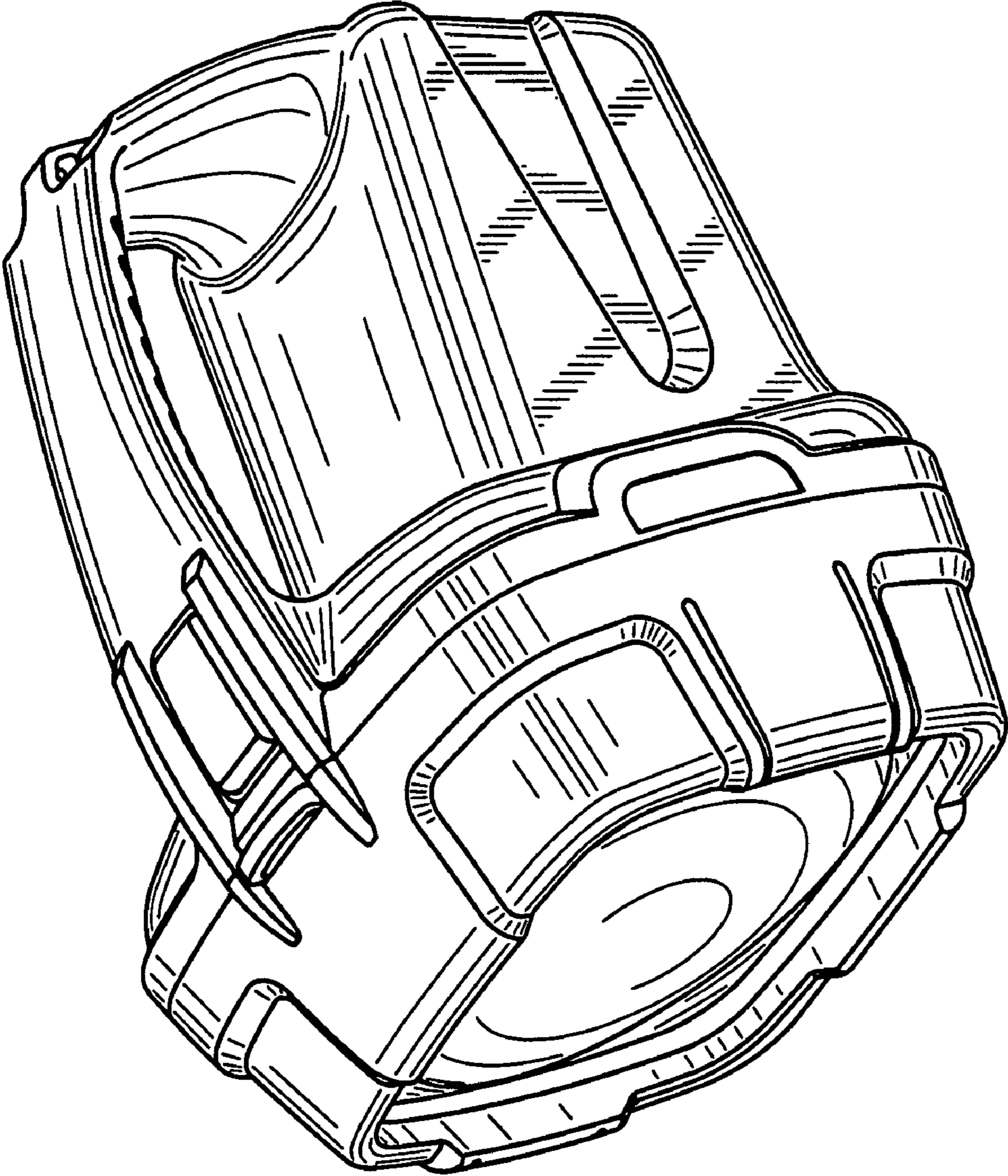


FIG. 1

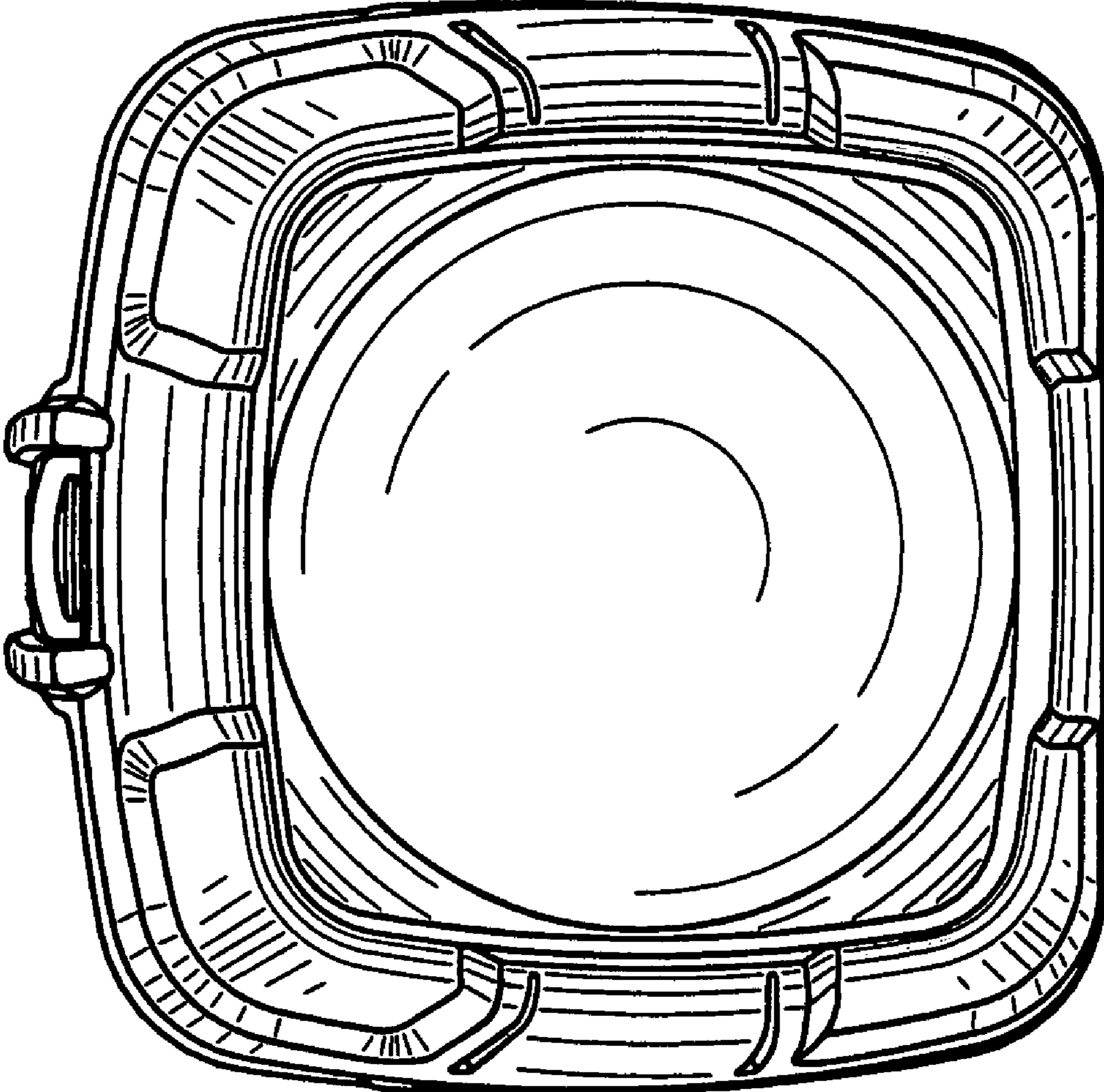


FIG. 2

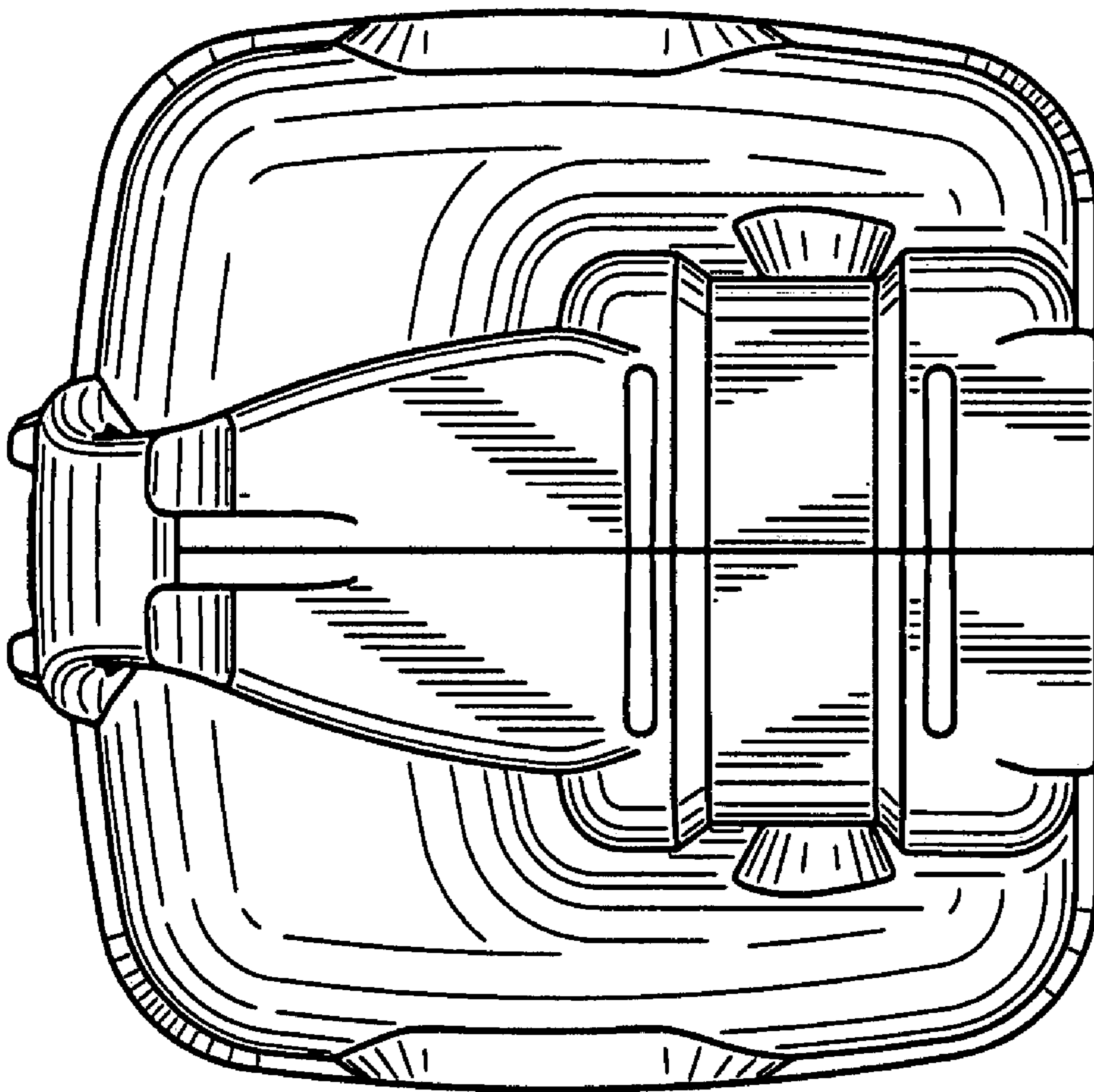


FIG. 3

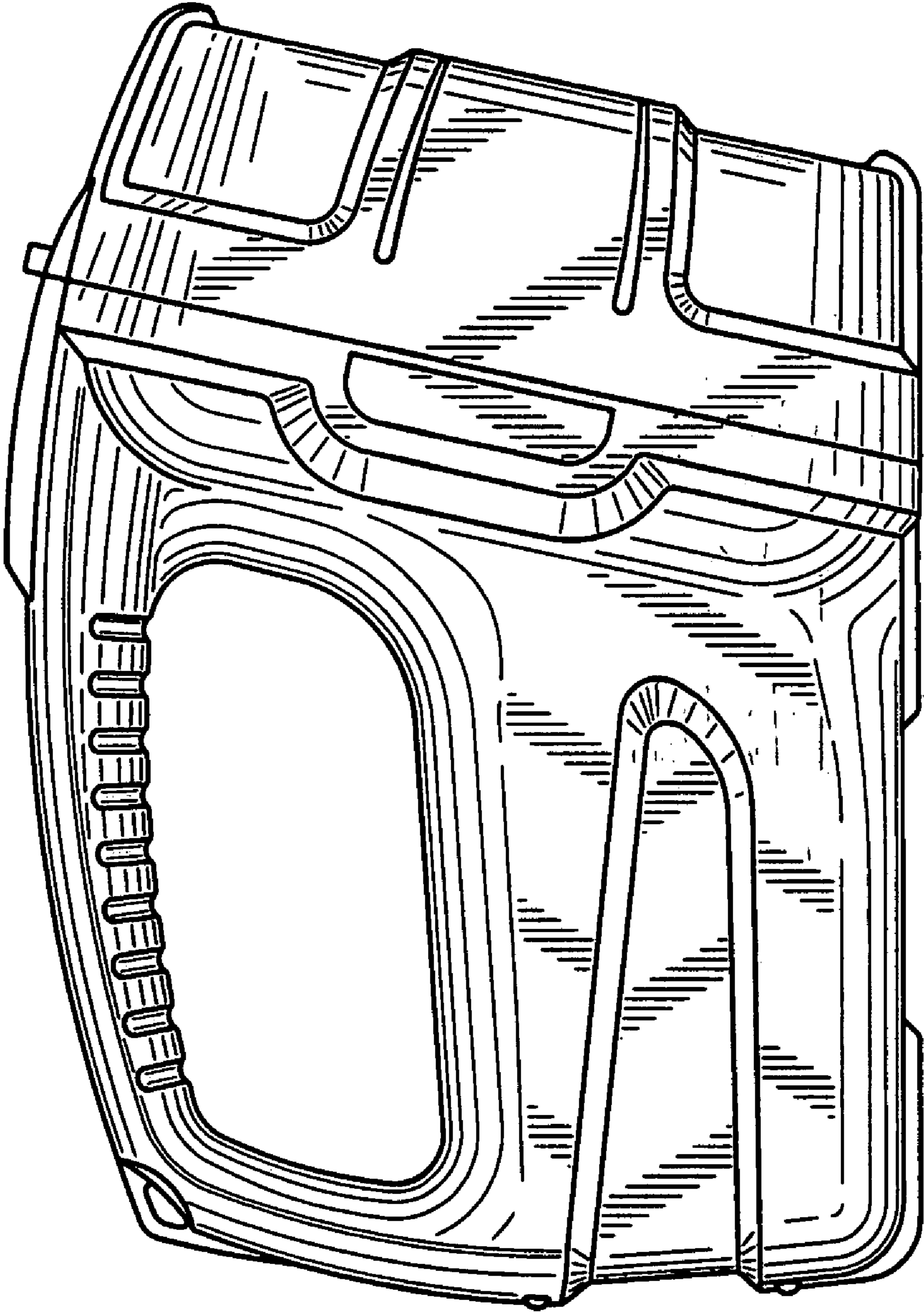


FIG. 4

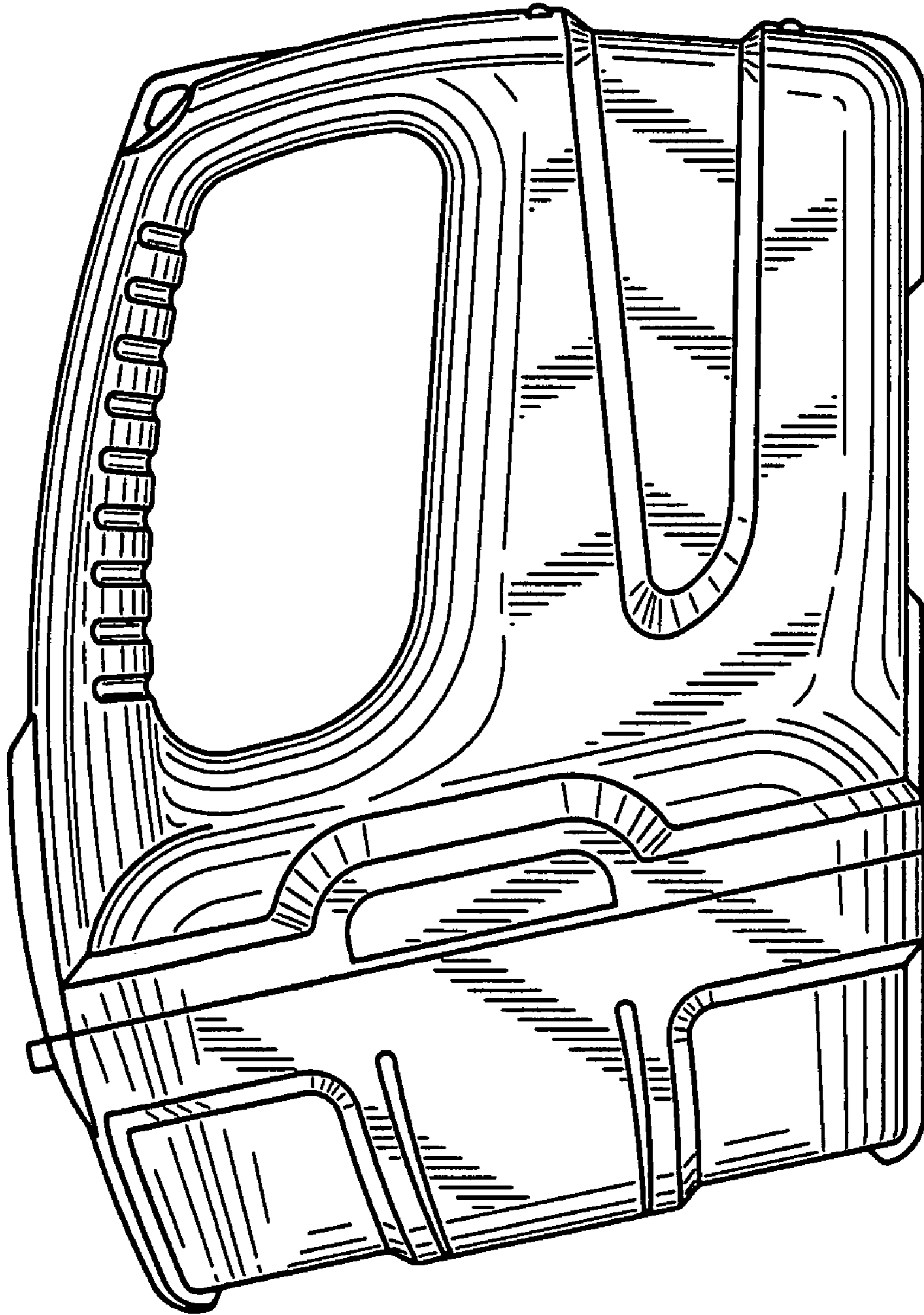


FIG. 5

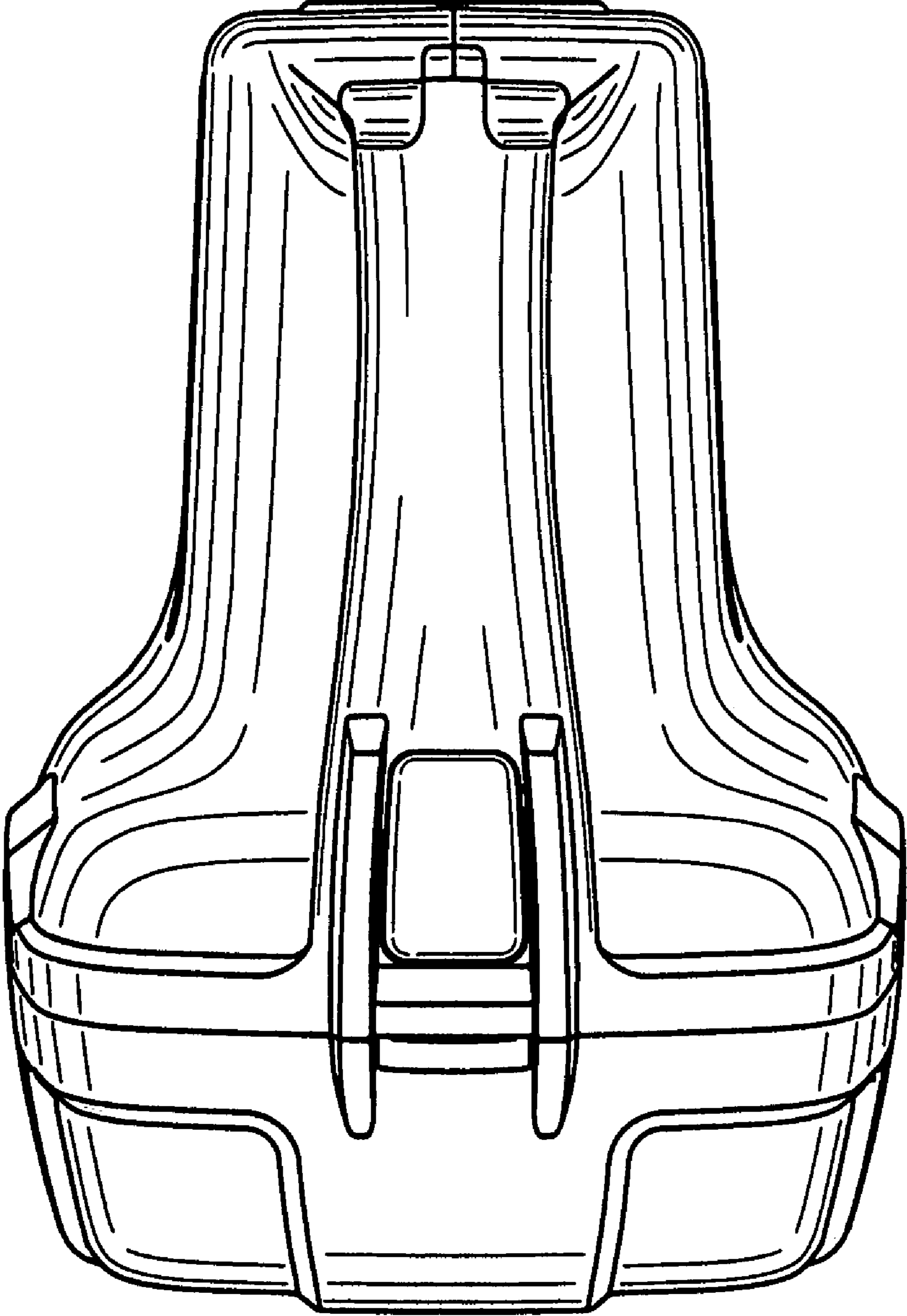


FIG. 6

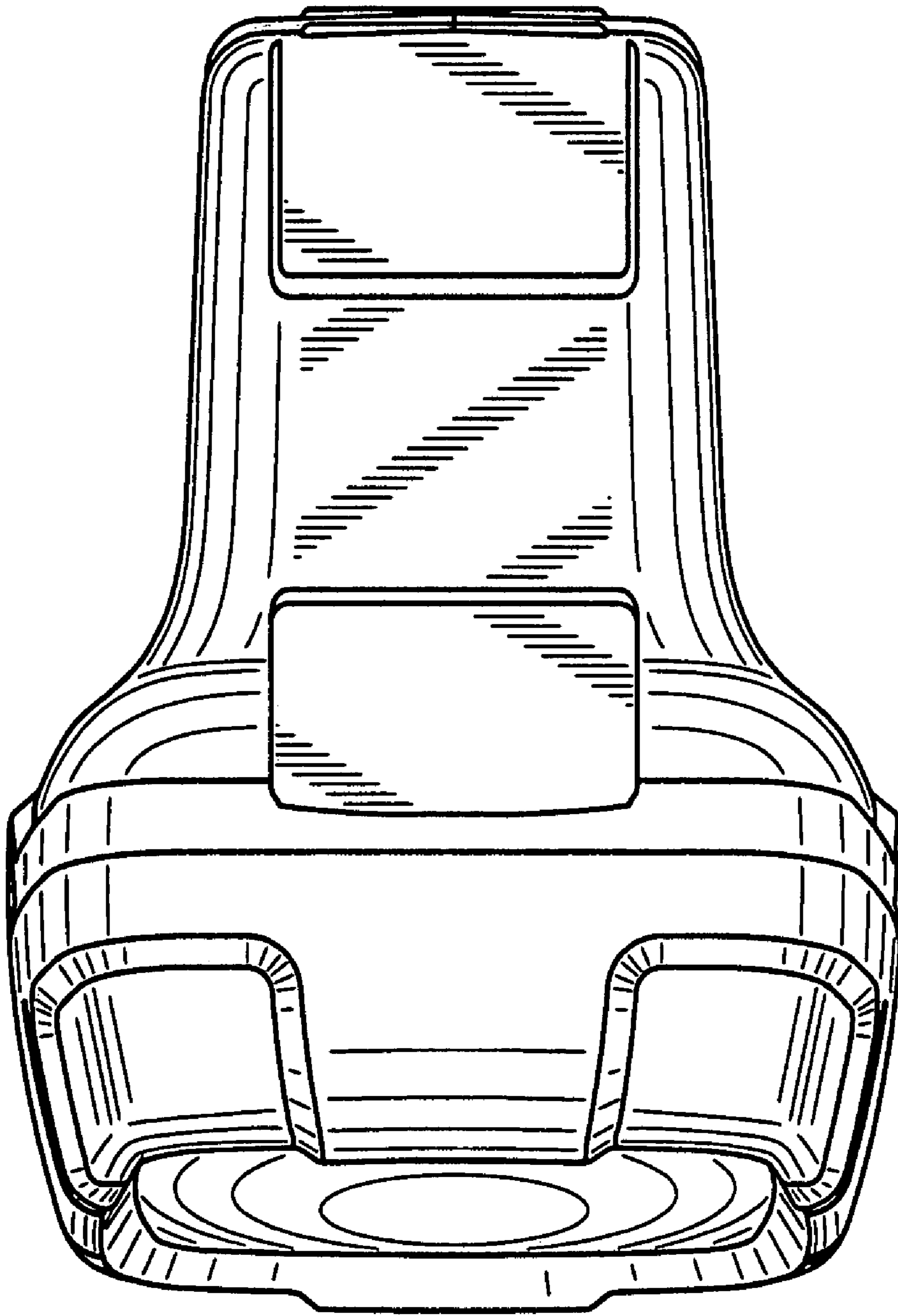


FIG. 7