



US00D553279S

(12) **United States Design Patent**  
**Yang**

(10) **Patent No.:** **US D553,279 S**  
(45) **Date of Patent:** **\*\* Oct. 16, 2007**

(54) **LED CAP LIGHT WITH SEMIELLIPTIC  
FIGURE AND LENS**

*Primary Examiner*—Marcus A. Jackson

(76) **Inventor:** **Xinli Yang**, #62 Fenghuangtai Road,  
Changsha, Hunan (CN) 410005

(57) **CLAIM**

The ornamental design for a LED cap light with semielliptic figure and lens, as shown and described.

(\*\*) **Term:** **14 Years**

(21) **Appl. No.:** **29/278,583**

(22) **Filed:** **Apr. 3, 2007**

**DESCRIPTION**

(51) **LOC (8) Cl.** ..... **26-02**

(52) **U.S. Cl.** ..... **D26/39**

(58) **Field of Classification Search** ..... D26/37-50,  
D26/39; 362/157, 158, 171-174, 183-208  
See application file for complete search history.

FIG. 1 is a perspective view of an LED cap light with half-elliptical figure and lens, showing my new design;  
FIG. 2 is a front elevational view of the invention;  
FIG. 3 is a rear elevational view of the invention;  
FIG. 4 is a right-side elevational view of the invention;  
FIG. 5 is a left-side elevational view of the invention;  
FIG. 6 is a top plan view of the invention; and,  
FIG. 7 is a bottom plan view of the invention.

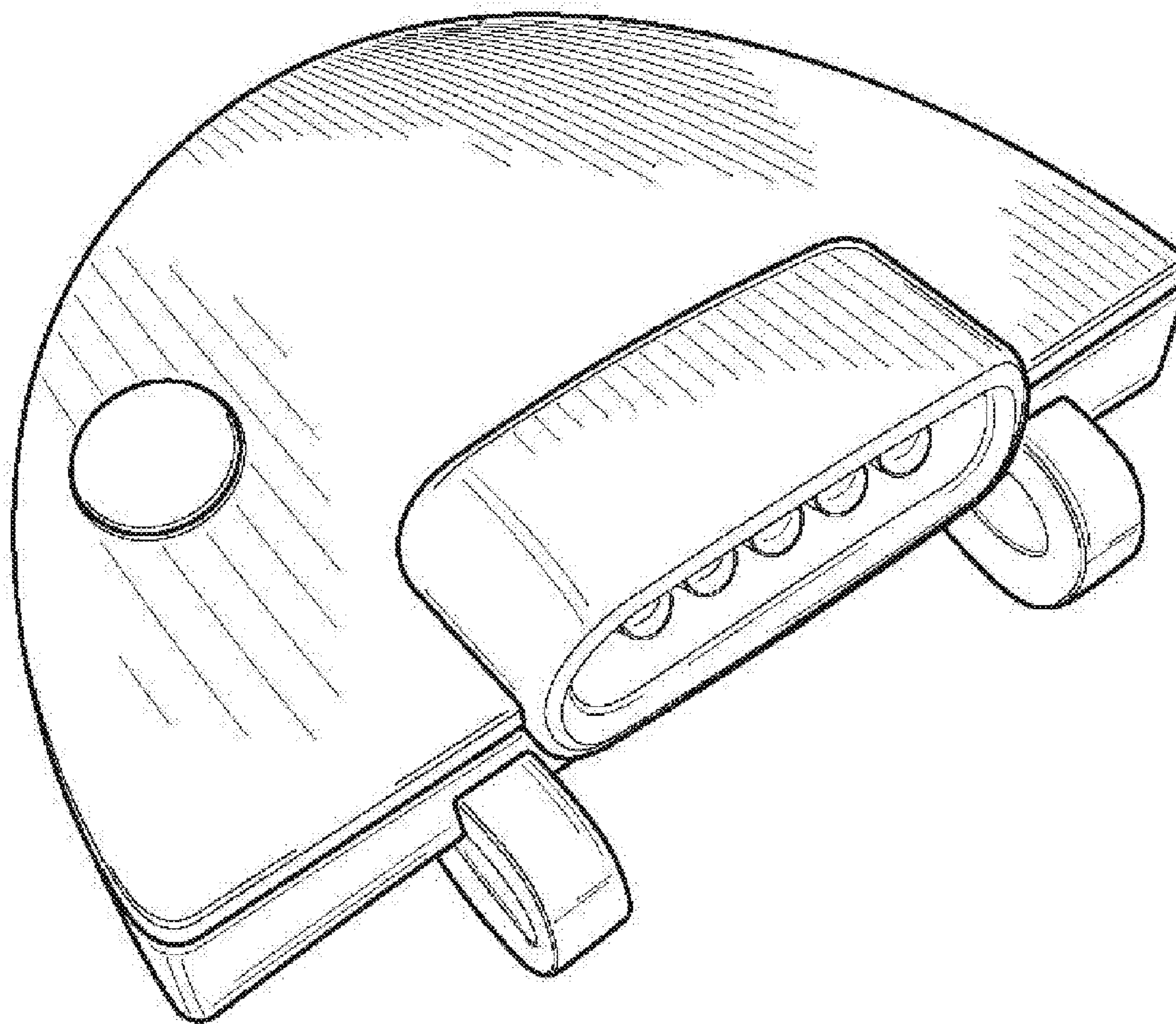
(56) **References Cited**

**U.S. PATENT DOCUMENTS**

D507,065 S \* 7/2005 Son ..... D26/39  
D541,452 S \* 4/2007 Schnell ..... D26/39

\* cited by examiner

**1 Claim, 2 Drawing Sheets**



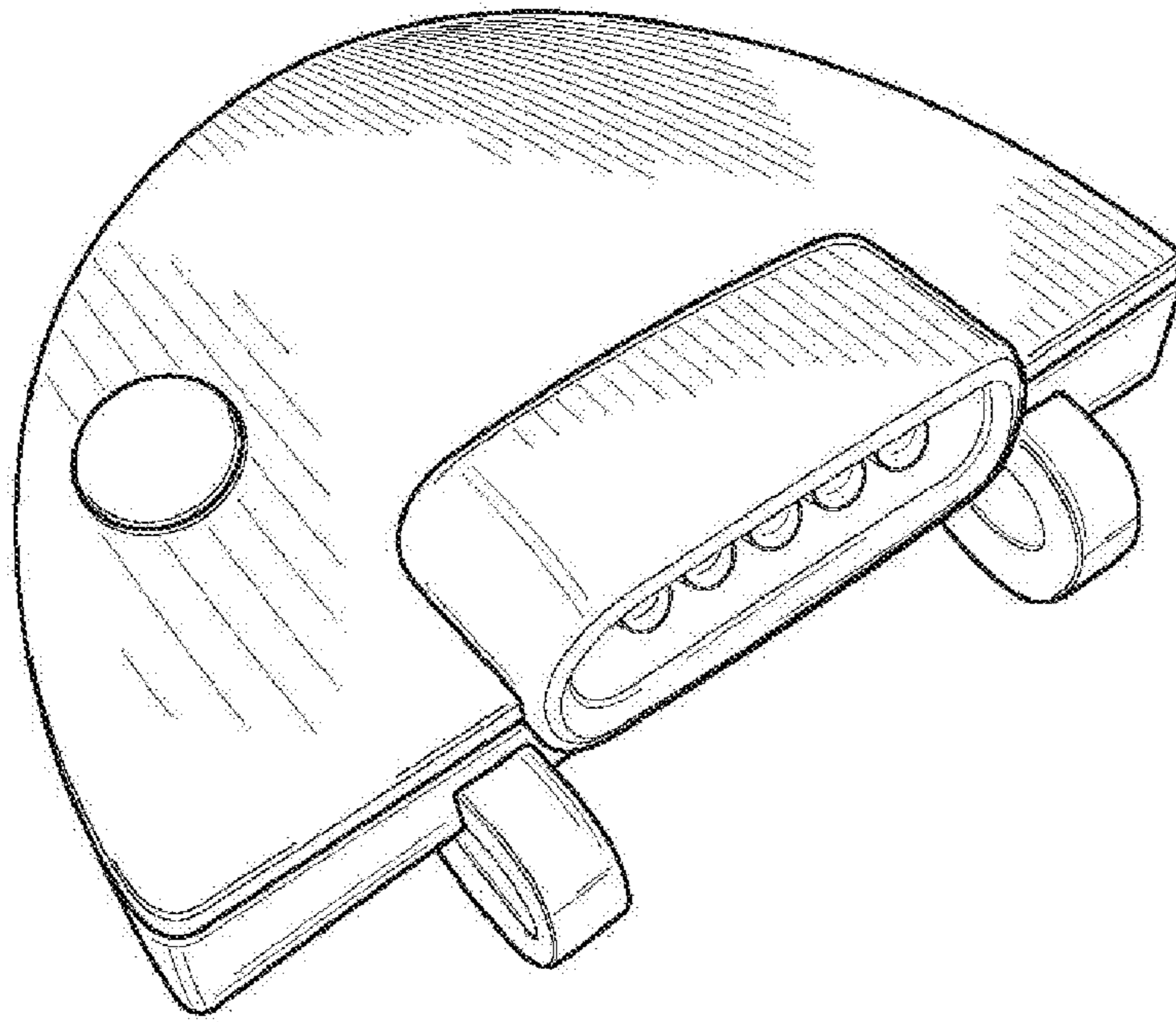


FIG. 1

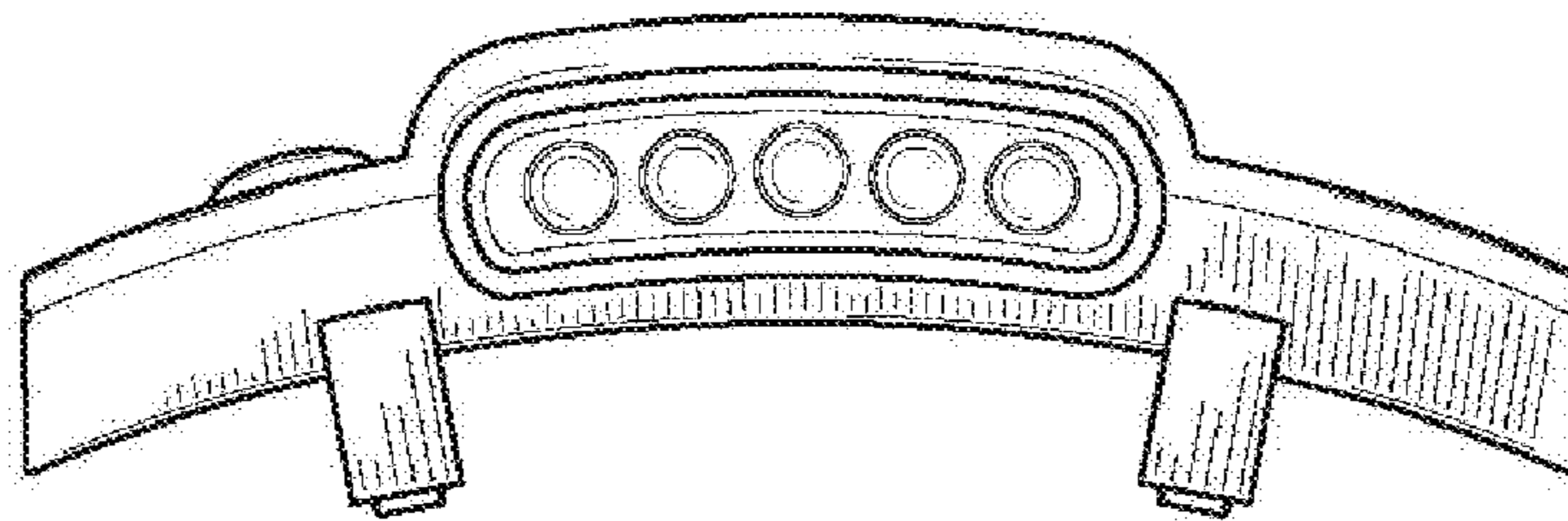


FIG. 2

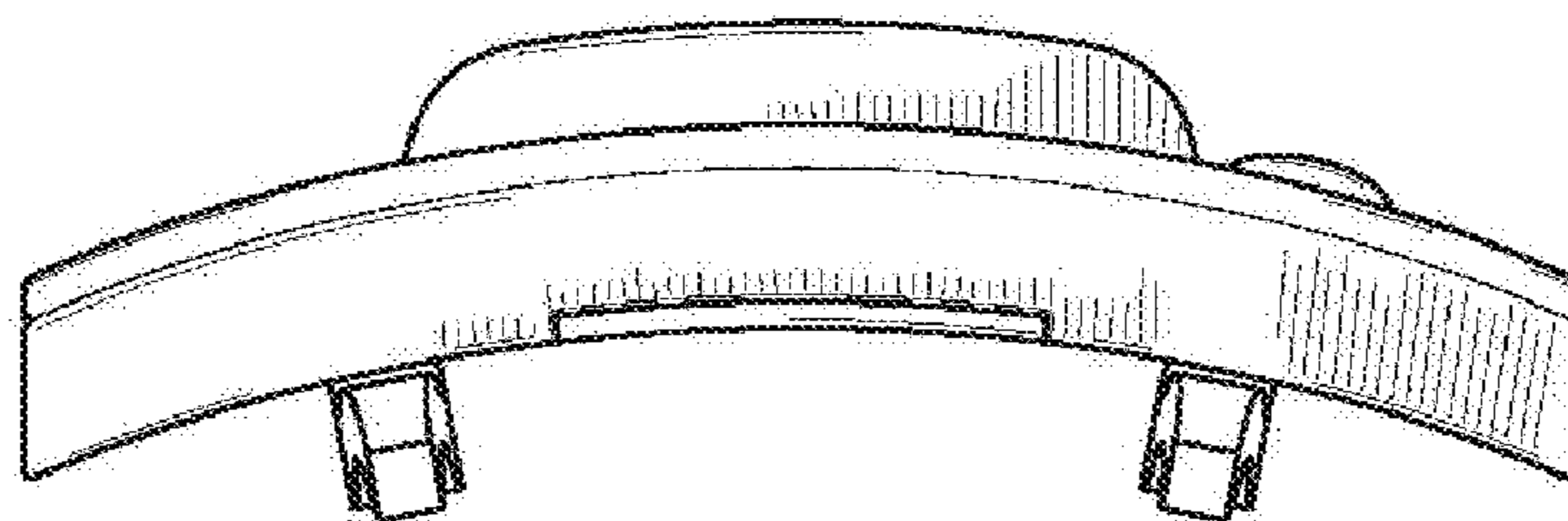


FIG. 3

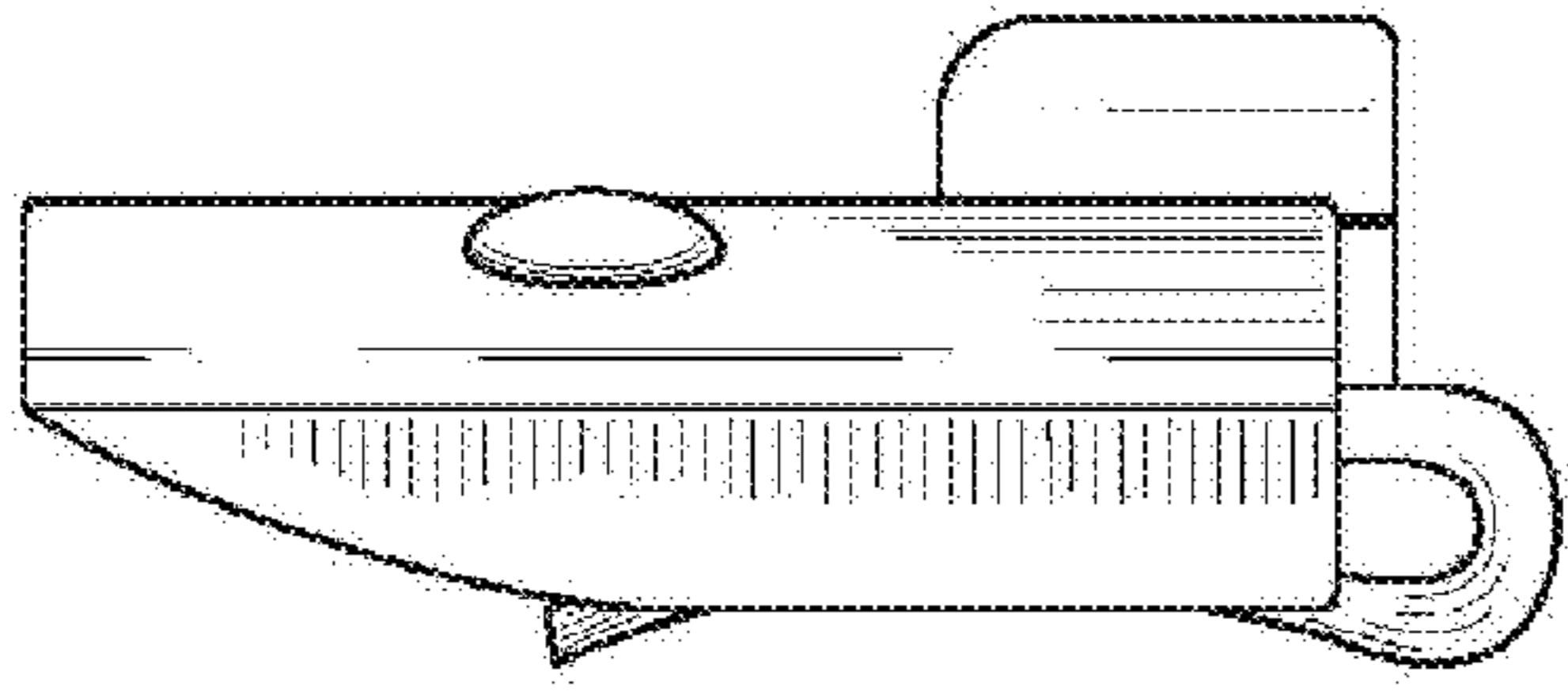


FIG. 4

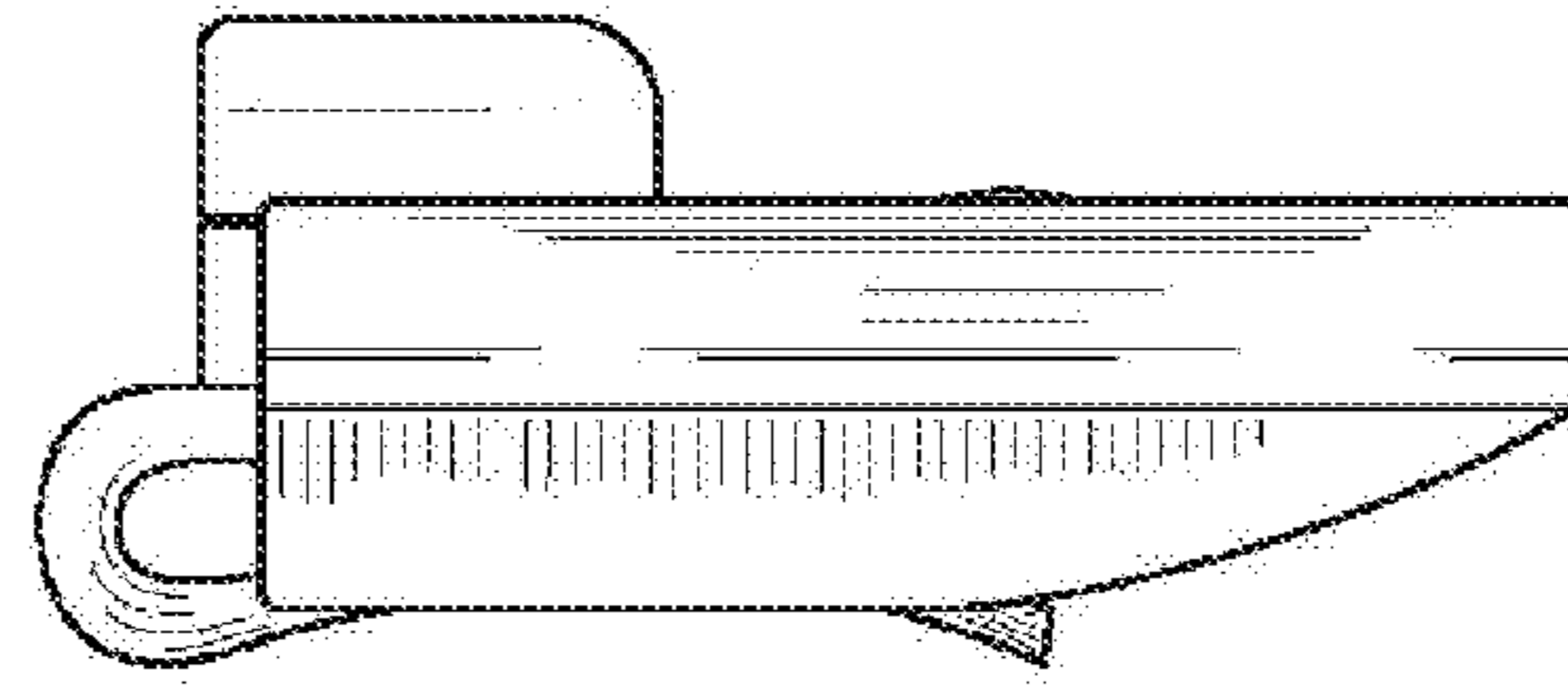


FIG. 5

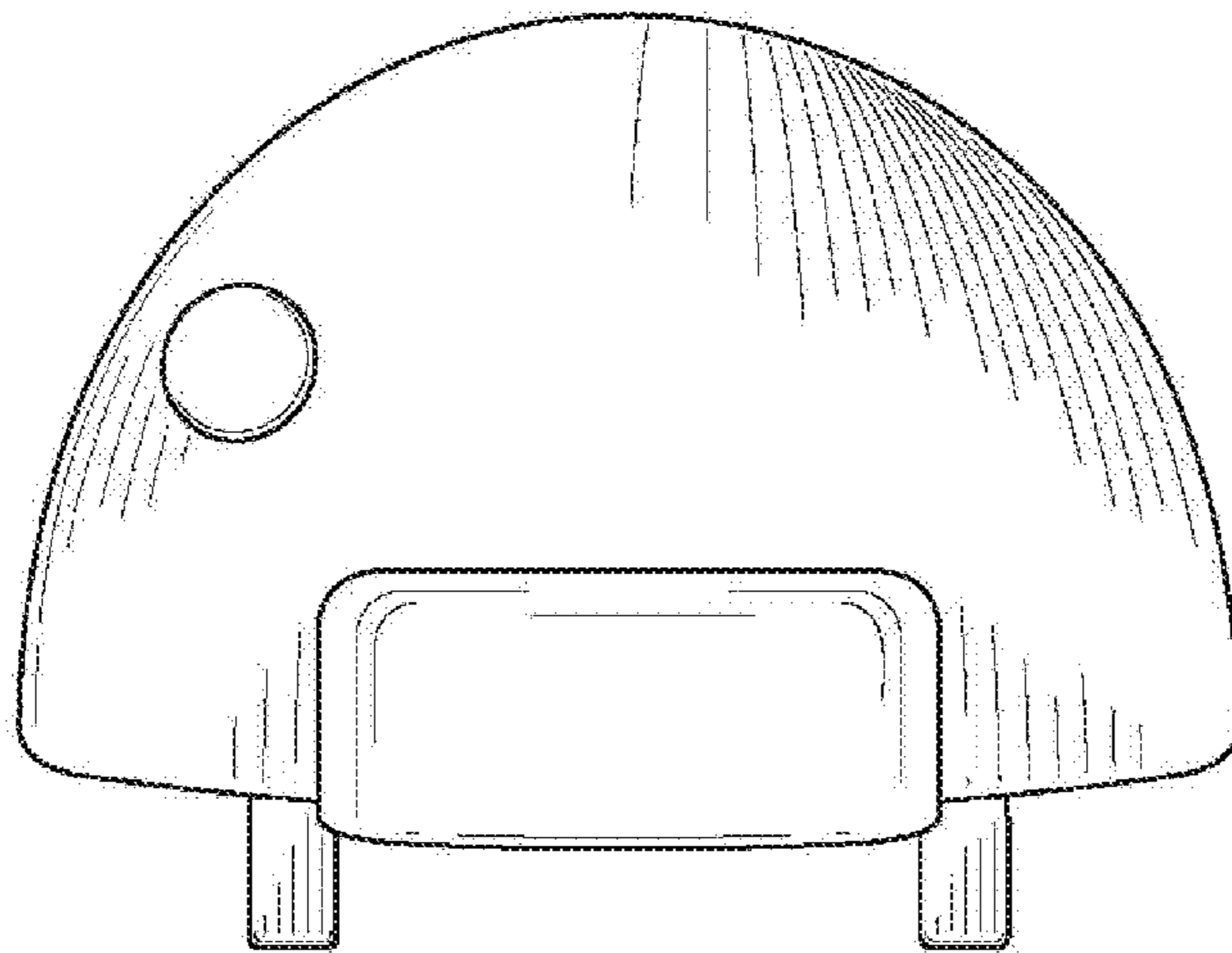


FIG. 6

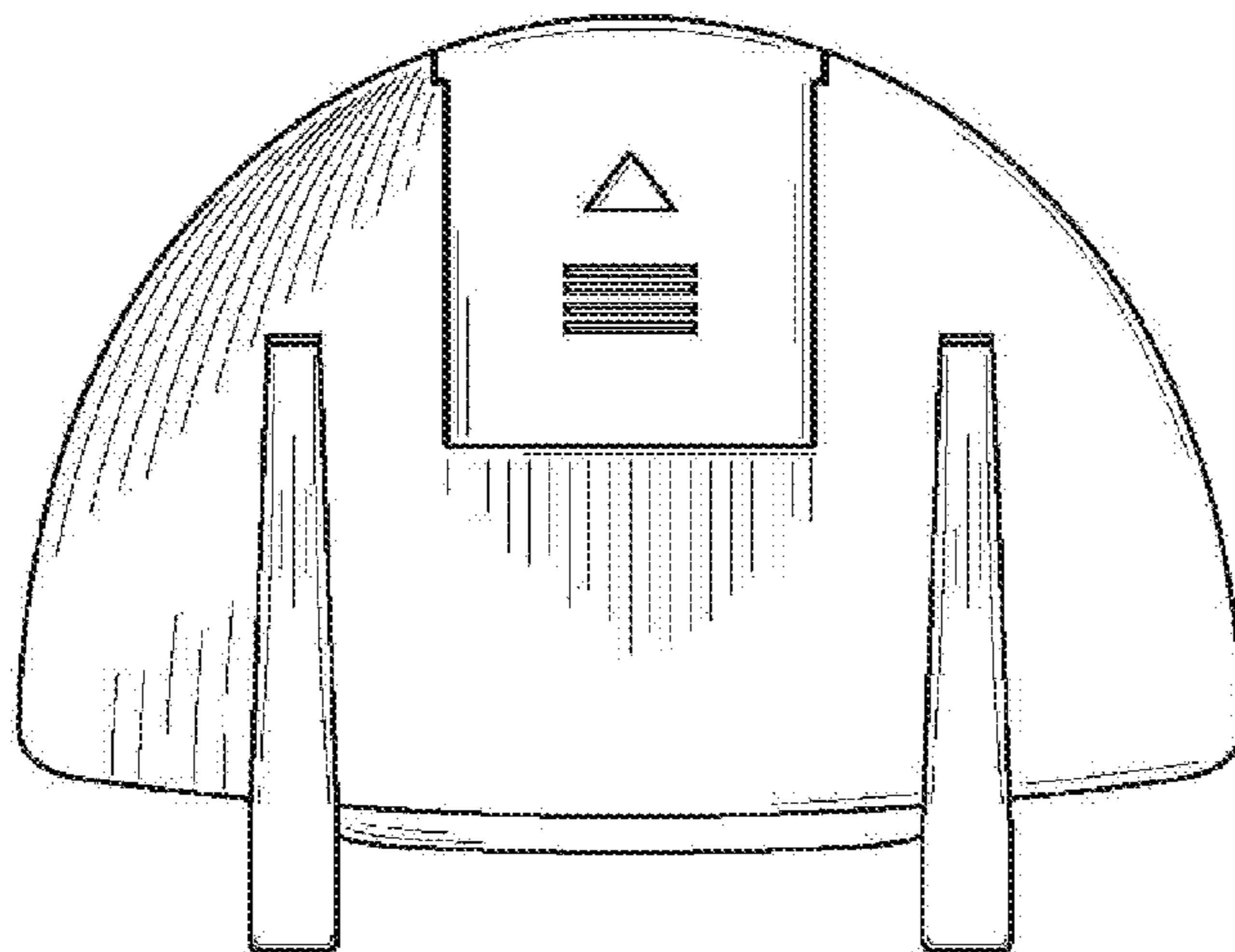


FIG. 7