



US00D553277S

(12) **United States Design Patent**  
**Ho et al.**

(10) **Patent No.:** **US D553,277 S**

(45) **Date of Patent:** **\*\* Oct. 16, 2007**

(54) **HEADLAMP**

(75) Inventors: **Ka Kin Ho**, Tuen Mun (HK); **Siu Cheong Hon**, Tseung Kwan O (HK)

(73) Assignee: **The Brinkmann Corporation**, Dallas, TX (US)

(\*\*) Term: **14 Years**

(21) Appl. No.: **29/262,458**

(22) Filed: **Jun. 29, 2006**

(51) **LOC (8) Cl.** ..... **26-02**

(52) **U.S. Cl.** ..... **D26/39**

(58) **Field of Classification Search** ..... D26/37-50;  
362/157, 158, 171-174, 183-208  
See application file for complete search history.

(56) **References Cited**

**U.S. PATENT DOCUMENTS**

D445,931 S *	7/2001	Shiu	.....	D26/39
D470,615 S	2/2003	Janice et al.		
D482,471 S *	11/2003	Shiu	.....	D26/39
D482,472 S	11/2003	Shiu		
D482,473 S	11/2003	Shiu		
D485,384 S	1/2004	Poon		
D489,838 S	5/2004	Opolka		
D500,377 S	12/2004	Yamamoto et al.		
6,955,444 B2	10/2005	Gupta		
D518,209 S	3/2006	Nagano et al.		
D518,210 S	3/2006	Nagano et al.		
D520,162 S	5/2006	Shiu		
D524,966 S	7/2006	Shiu		
D524,967 S	7/2006	Shiu		

D529,213 S *	9/2006	Shiu	.....	D26/39
D532,538 S *	11/2006	Yuen	.....	D26/39
D534,289 S *	12/2006	Shiu	.....	D26/39
D536,115 S *	1/2007	Shiu	.....	D26/39
D542,450 S *	5/2007	Shiu	.....	D26/60

**OTHER PUBLICATIONS**

Internet printout from www.cabelas.com, printed on Jan. 22, 2007 (Optronics Blacklight UV Headlamp) (2 pgs.).

Internet printout from www.cabelas.com, printed on Jan. 22, 2007 (Streamlight Buckmasters Realtree Trident Headlamp) (2 pgs.).

\* cited by examiner

*Primary Examiner*—Marcus A. Jackson

(74) *Attorney, Agent, or Firm*—Sheppard, Mullin, Richter & Hampton LLP

(57) **CLAIM**

We claim the ornamental design for a headlamp, as shown and described.

**DESCRIPTION**

FIG. 1 is a perspective view of a headlamp showing the new design;

FIG. 2 is a front elevational view thereof;

FIG. 3 is a rear elevational view thereof;

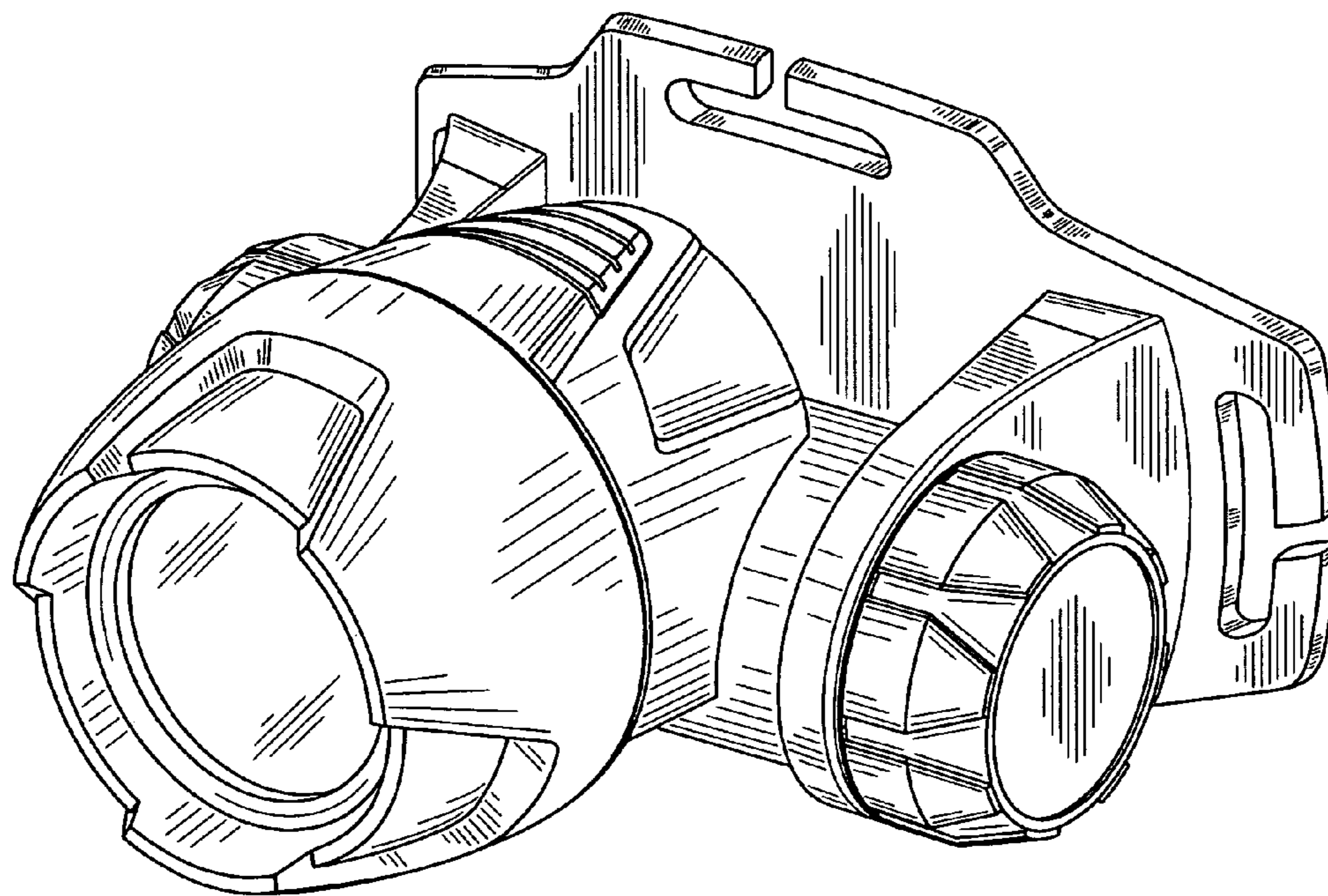
FIG. 4 is a right side elevational view thereof;

FIG. 5 is a left side elevational view thereof;

FIG. 6 is a top plan view thereof; and,

FIG. 7 is a bottom plan view thereof.

**1 Claim, 5 Drawing Sheets**



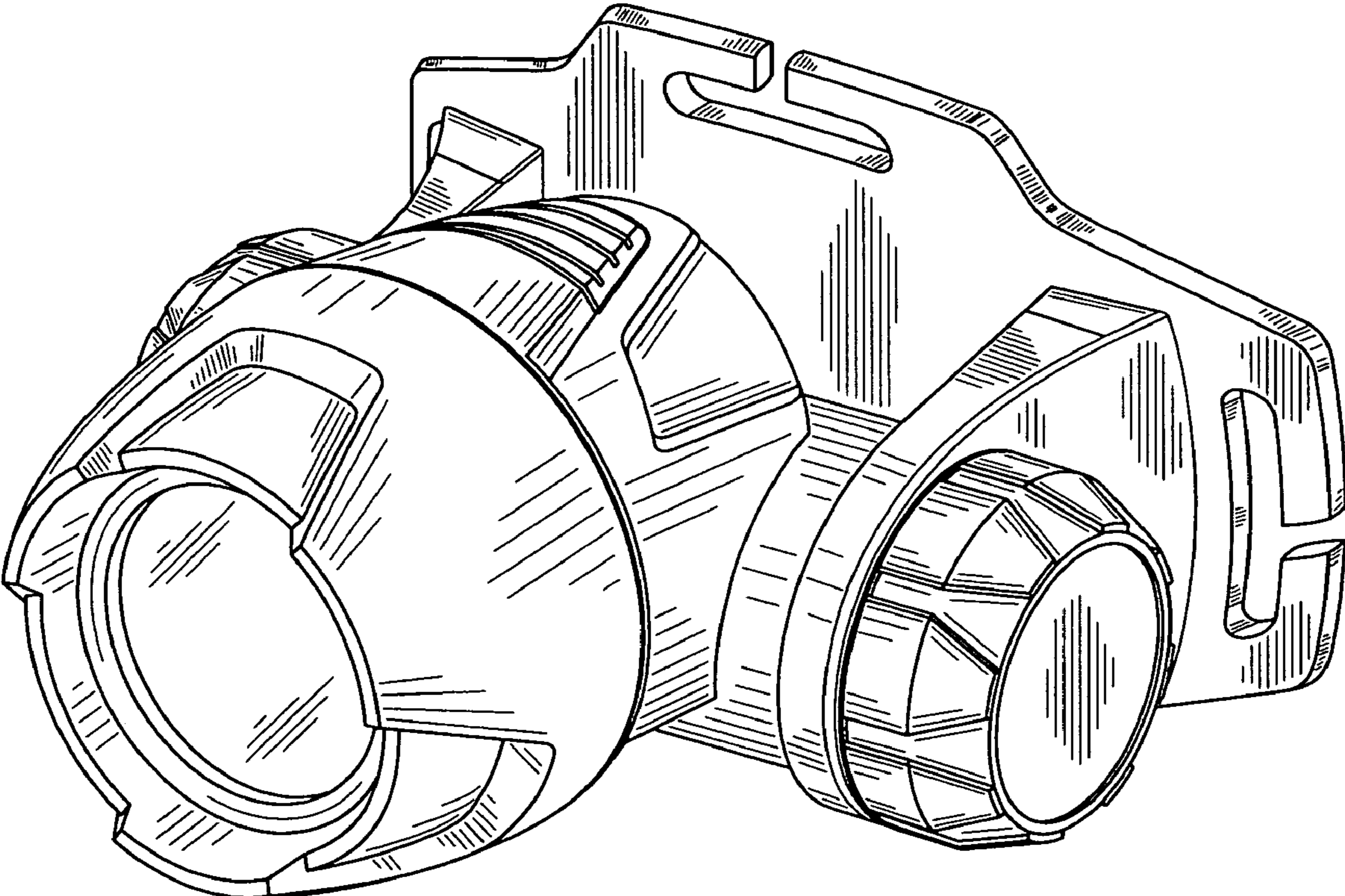


FIG. 1

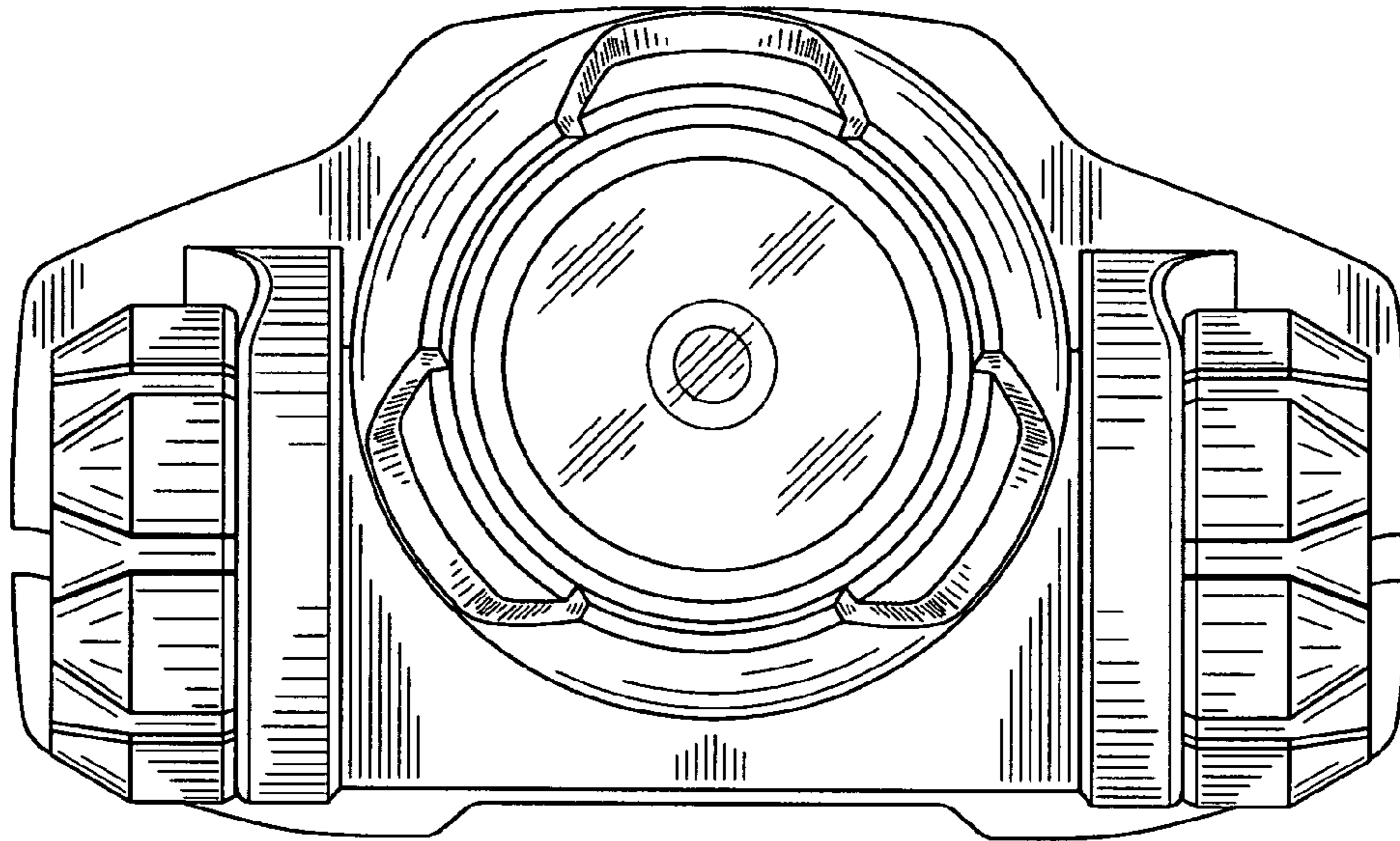


FIG. 2

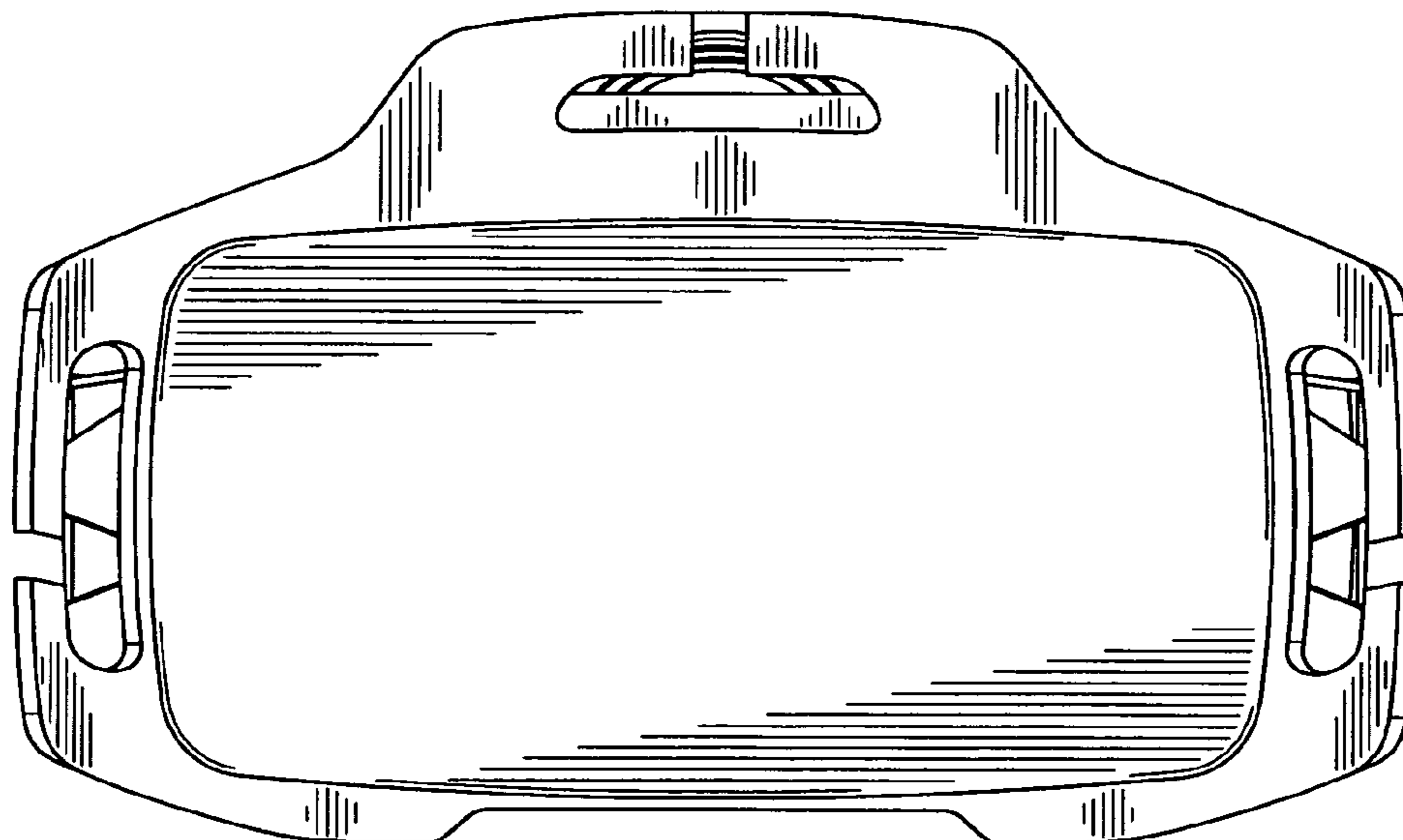


FIG. 3



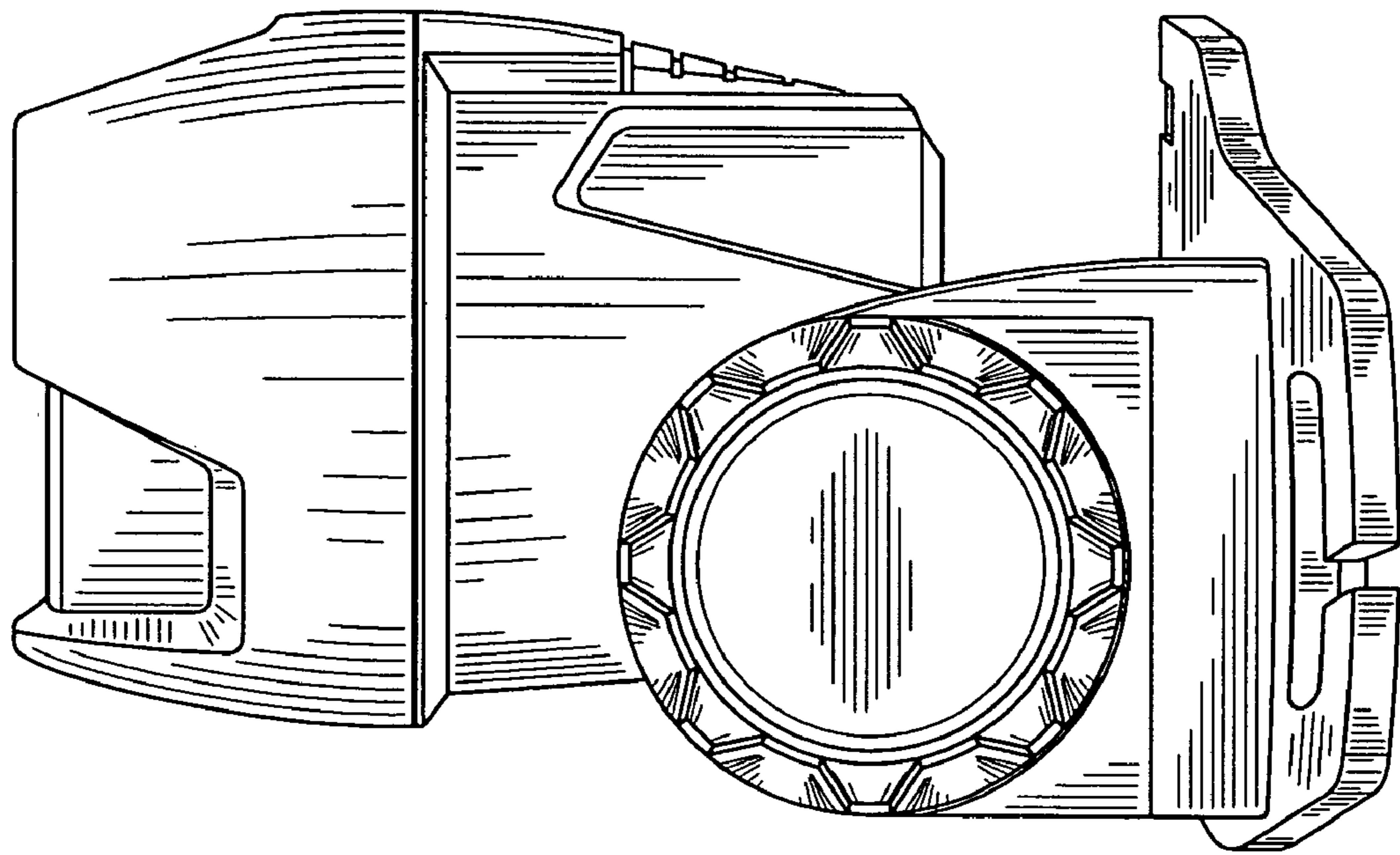


FIG. 4

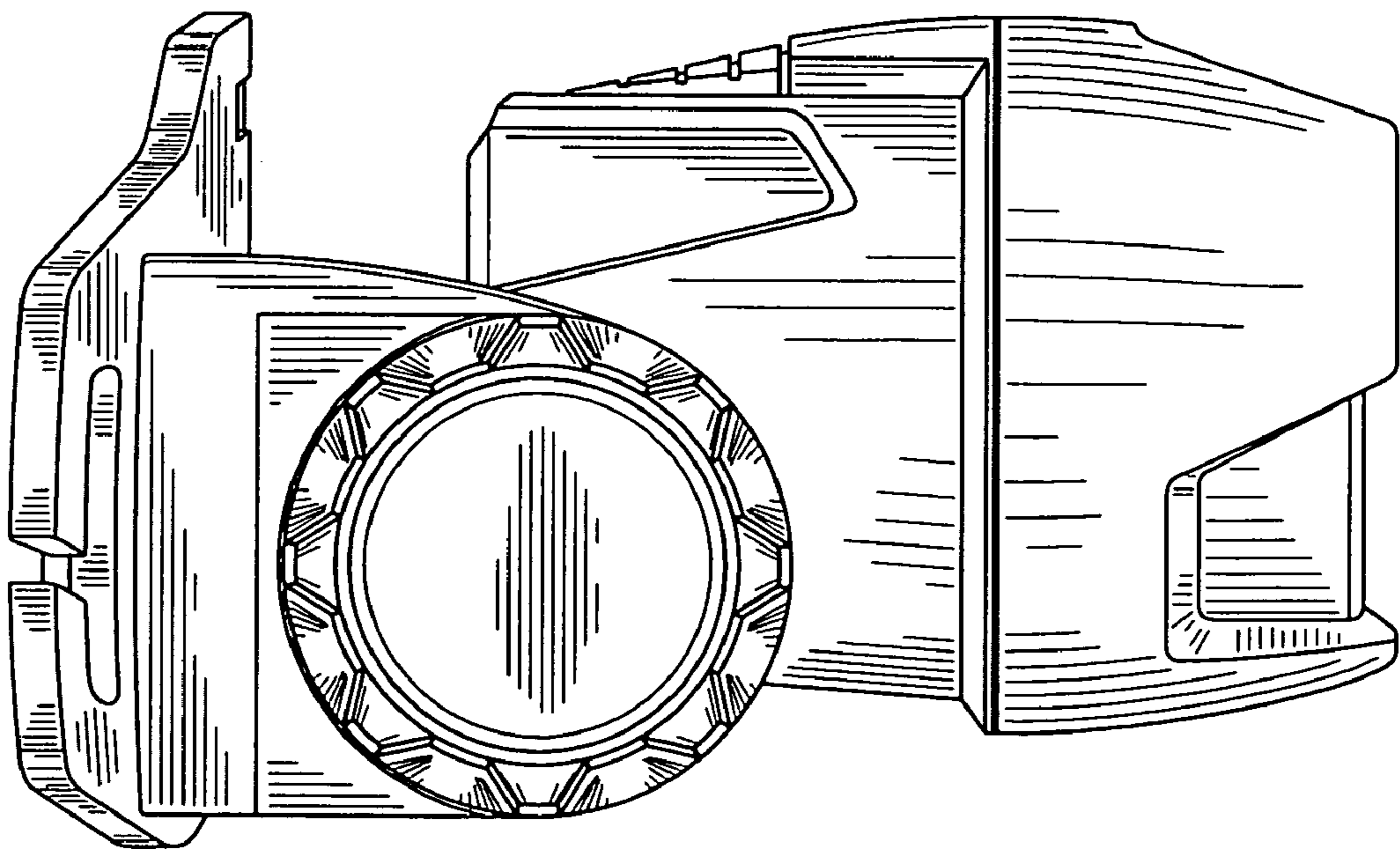


FIG. 5

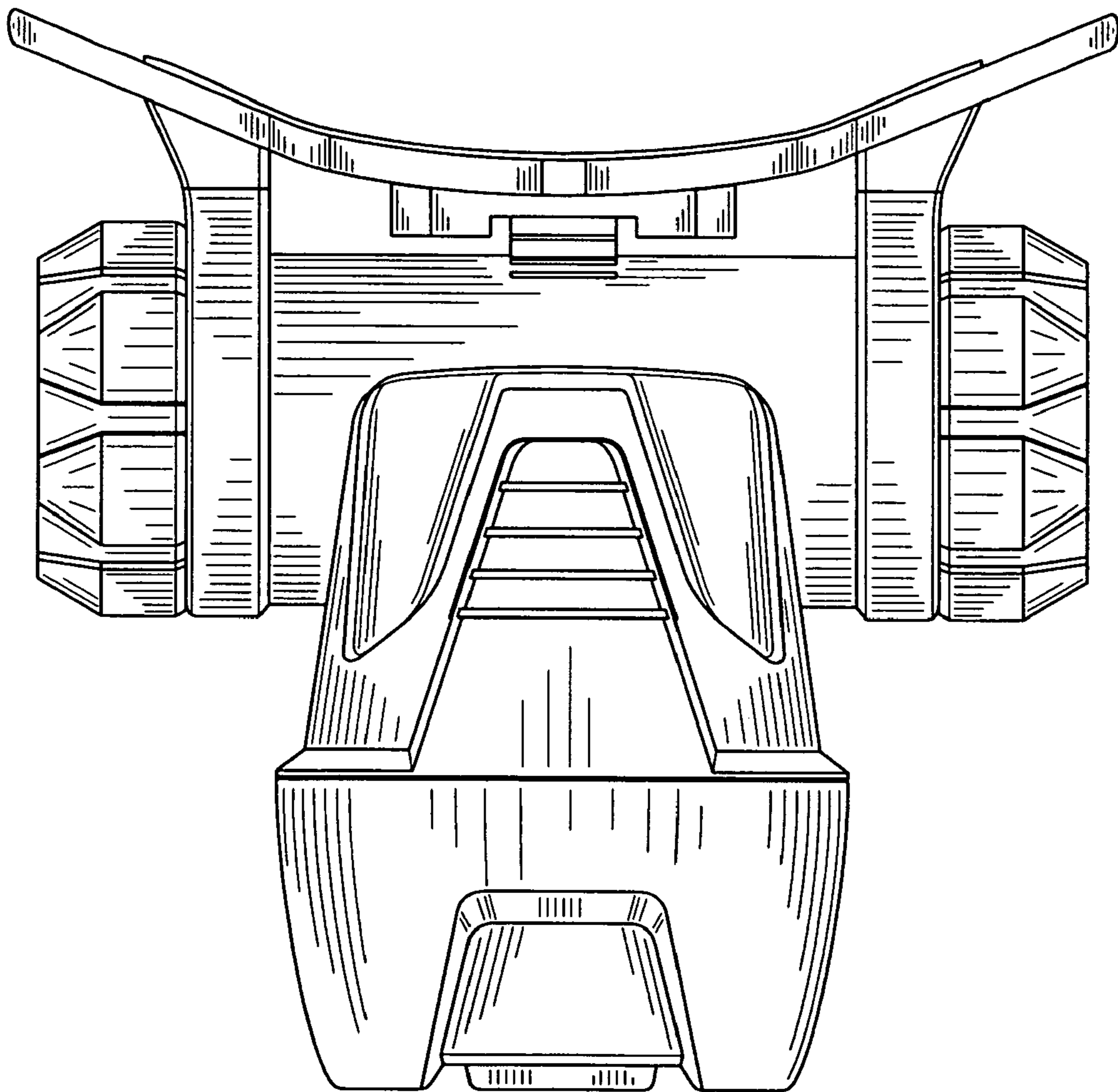


FIG. 6

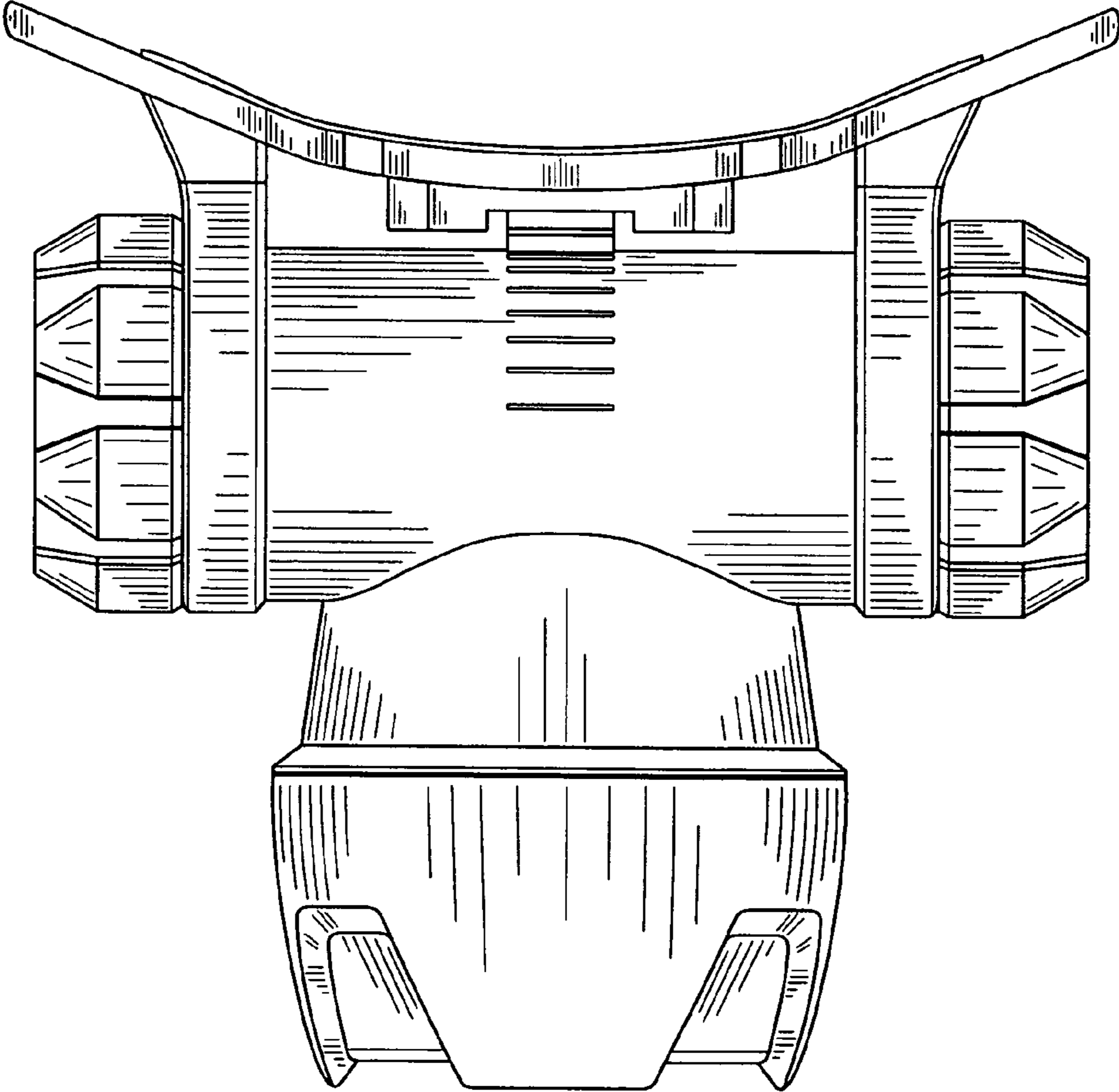


FIG. 7