



US00D553274S

(12) **United States Design Patent**
Hill et al.

(10) **Patent No.:** **US D553,274 S**
(45) **Date of Patent:** **** Oct. 16, 2007**

(54) **LIGHT**

D544,975 S * 6/2007 Lee D26/37

(75) Inventors: **Ambreese S. Hill**, Jacksonville, FL
(US); **Robert Schultz**, Memphis, TN
(US); **Nicole Ashley Moody**, Memphis,
TN (US)

OTHER PUBLICATIONS
EK Success Merry Glo Round Light Box-9" Round/Teal website
printout <http://www.ritzcamera.com/product/EP8848998.htm>, prior
to Mar. 8, 2007.

(73) Assignee: **Hunter Fan Company**, Memphis, TN
(US)

* cited by examiner

(**) Term: **14 Years**

Primary Examiner—Marcus A. Jackson
(74) *Attorney, Agent, or Firm*—Baker Donelson

(21) Appl. No.: **29/277,751**

(57) **CLAIM**

(22) Filed: **Mar. 8, 2007**

The ornamental design for a light, as shown and described.

(51) **LOC (8) Cl.** **26-02**

(52) **U.S. Cl.** **D26/37**

(58) **Field of Classification Search** D26/37-50;
362/157, 158, 171-174, 183-208
See application file for complete search history.

DESCRIPTION

FIG. 1 is a perspective view of a light showing our new design.

FIG. 2 is a right side view thereof, the left side view being a mirror image thereof.

FIG. 3 is a top view thereof.

FIG. 4 is a bottom view thereof.

FIG. 5 is a front view thereof; and,

FIG. 6 is a rear view thereof.

The broken lines in the views show environmental features which are for illustrative purposes only and form no part of the claimed design.

(56) **References Cited**

U.S. PATENT DOCUMENTS

- D525,536 S * 7/2006 Chan D10/2
- D540,968 S * 4/2007 Lee D26/37
- D544,119 S 6/2007 Ding et al.
- D544,616 S * 6/2007 Chen D26/37
- D544,619 S * 6/2007 Lee D26/37
- D544,973 S * 6/2007 Lee D26/37

1 Claim, 3 Drawing Sheets

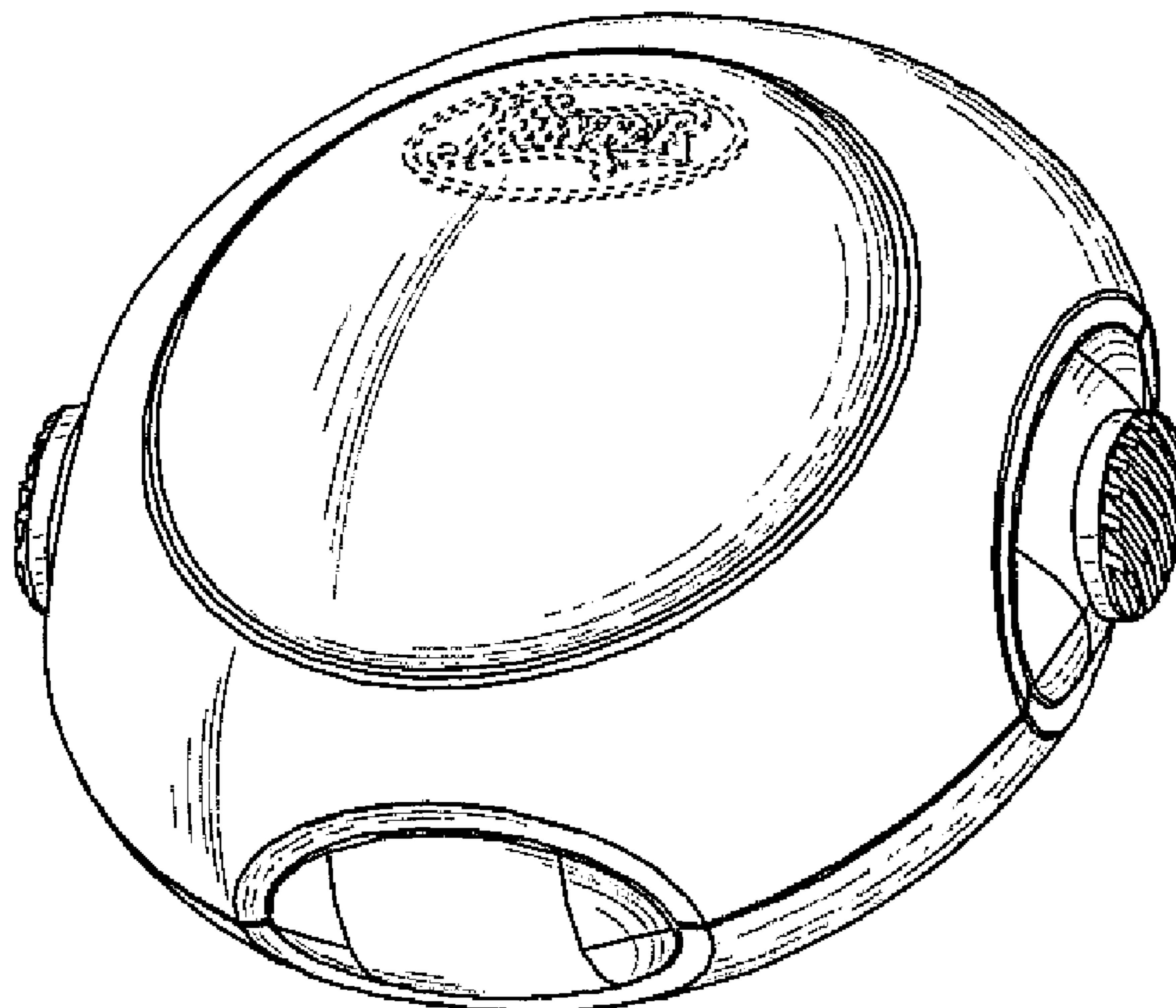


Fig. 1

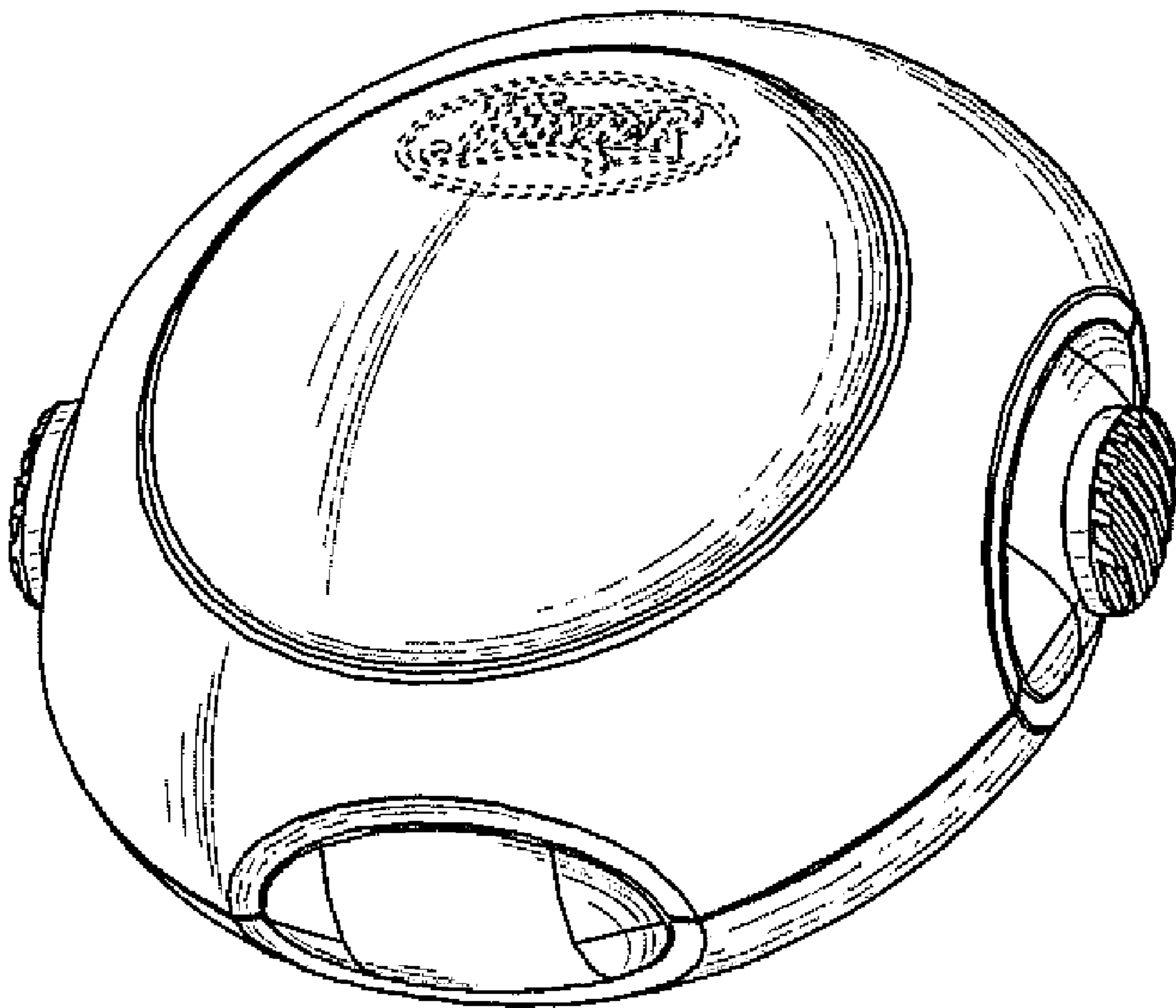


Fig. 2

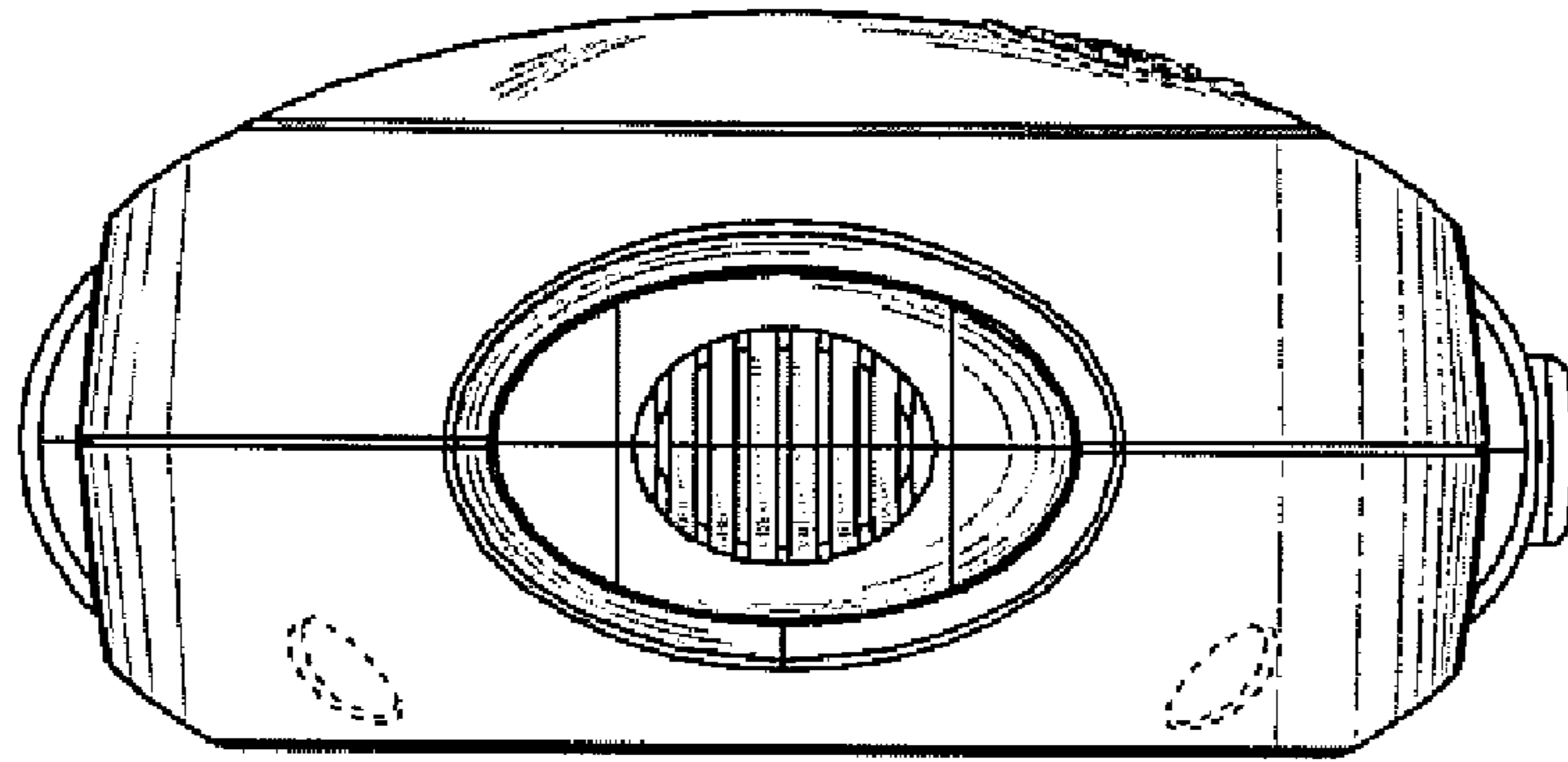


Fig. 3

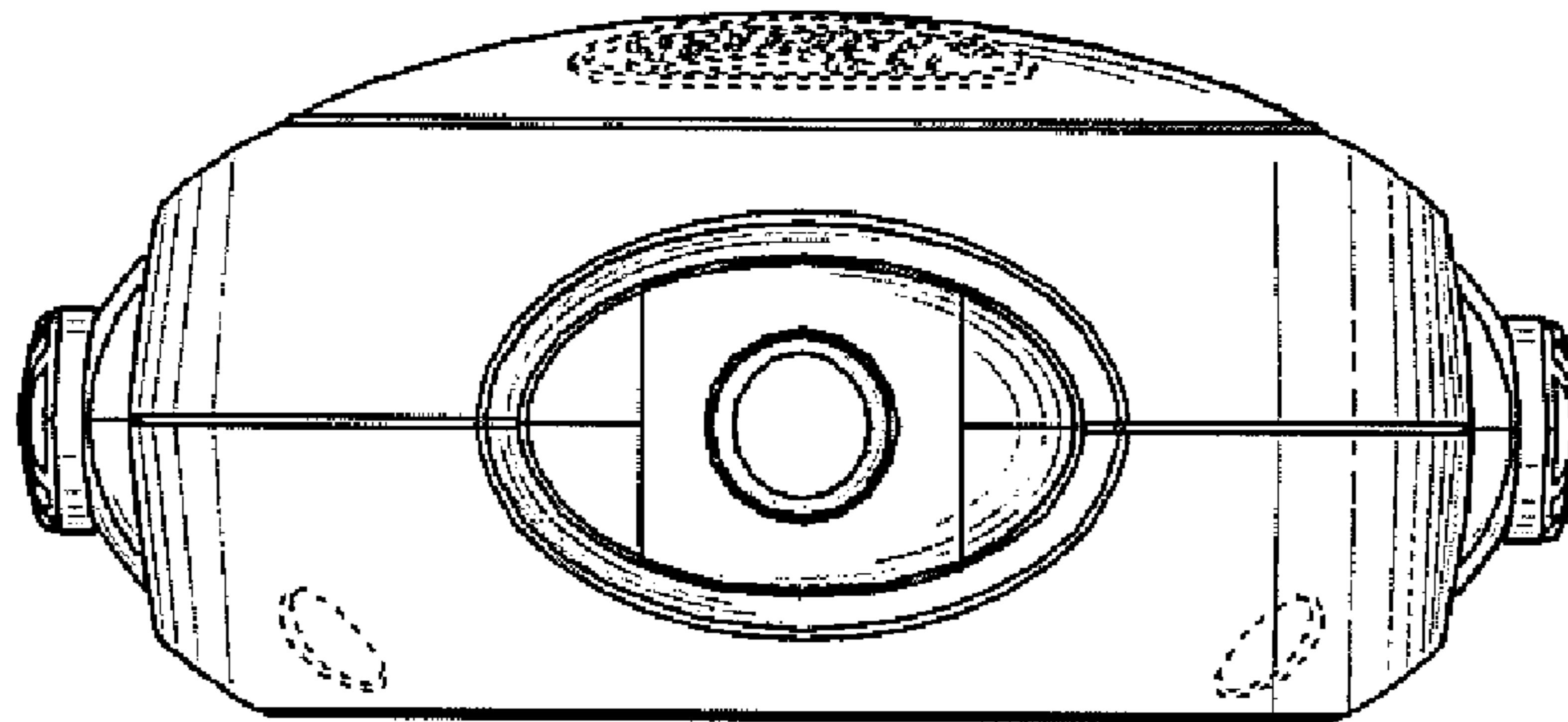


Fig. 4

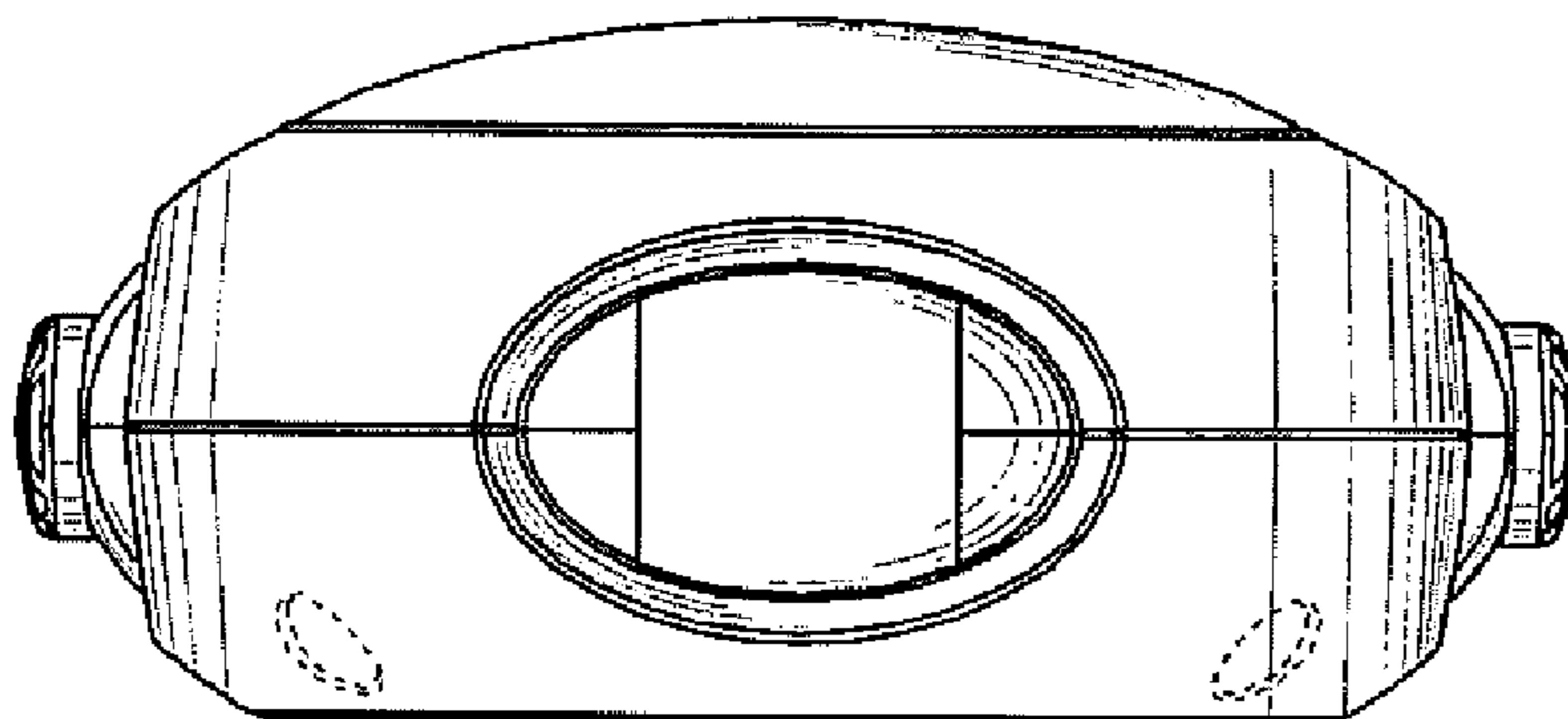


Fig. 5

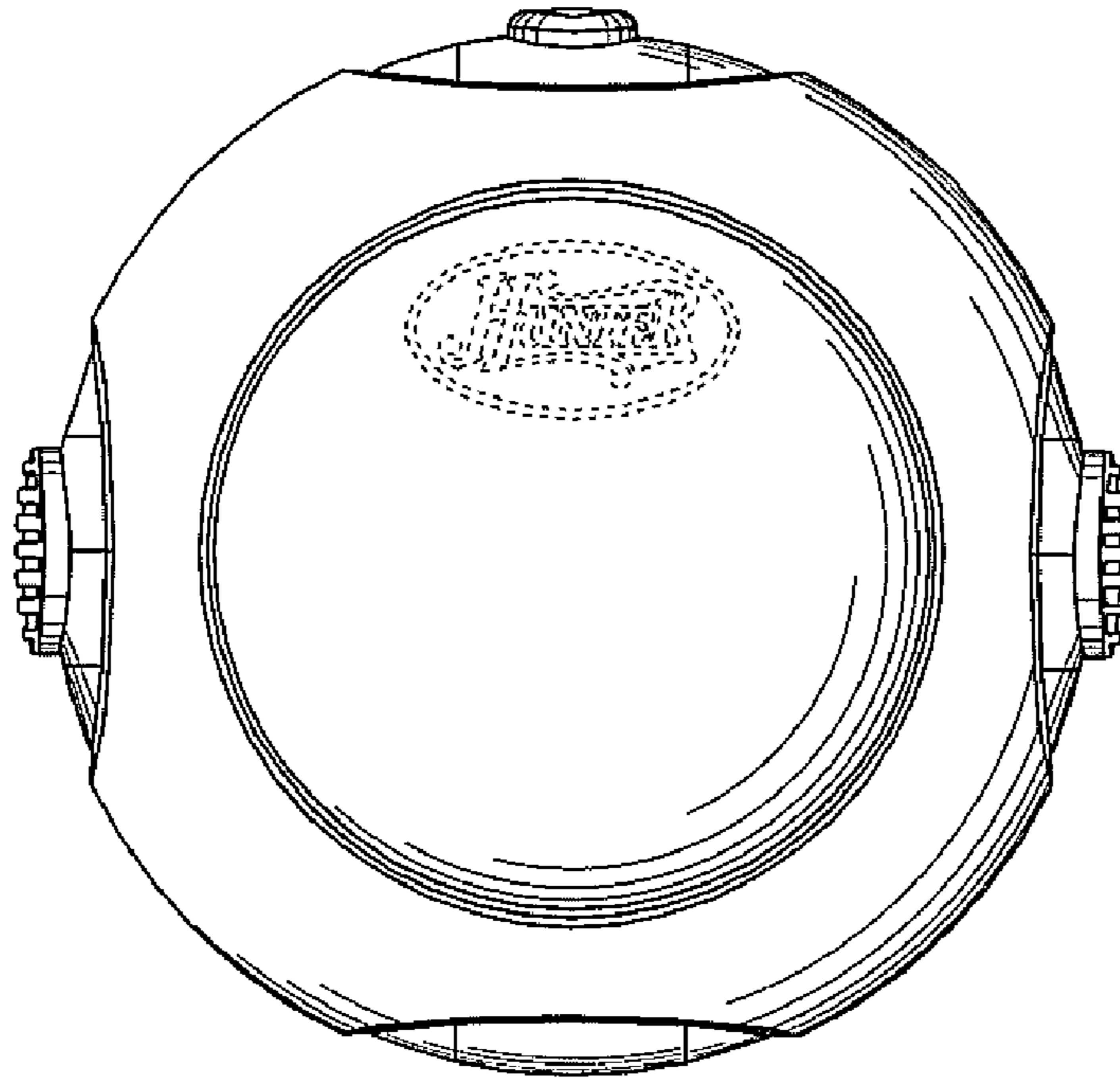


Fig. 6

