



US00D553273S

(12) **United States Design Patent**
Jim

(10) **Patent No.:** **US D553,273 S**
(45) **Date of Patent:** **** Oct. 16, 2007**

(54) **RETRACTABLE MAGNIFIER WITH AN ELECTRIC LAMP**

(75) Inventor: **Shiu-fai Jim**, Hong Kong (CN)

(73) Assignee: **Concavex Plastic Works Limited**,
Hong Kong (CN)

(**) Term: **14 Years**

(21) Appl. No.: **29/267,420**

(22) Filed: **Oct. 13, 2006**

(51) **LOC (8) Cl.** **26-02**

(52) **U.S. Cl.** **D26/37**

(58) **Field of Classification Search** D26/37-50;
362/157, 158, 171-174, 183-208

See application file for complete search history.

(56) **References Cited**

U.S. PATENT DOCUMENTS

D498,551 S *	11/2004	Chan	D26/37
D524,474 S *	7/2006	Lo et al.	D26/60
D526,433 S *	8/2006	Li	D26/60
D526,734 S *	8/2006	Brown	D26/60

* cited by examiner

Primary Examiner—Marcus A. Jackson

(74) *Attorney, Agent, or Firm*—Alix, Yale & Ristas, LLP

(57) **CLAIM**

The ornamental design for a retractable magnifier with an electric lamp, as shown and described.

DESCRIPTION

FIG. 1 is a generally frontal perspective view of the retractable magnifier with an electric lamp showing my new design in a retracted position;

FIG. 2 is a generally frontal perspective view of the retractable magnifier with an electric lamp of FIG. 1 in an extended position;

FIG. 3 is a generally rear perspective view of the retractable magnifier with an electric lamp of FIG. 1 in a retracted position;

FIG. 4 is a generally rear perspective view of the retractable magnifier with an electric lamp of FIG. 1 in an extended position;

FIG. 5 is a front view of the retractable magnifier with an electric lamp of FIG. 1 in a retracted position;

FIG. 6 is a rear view of the retractable magnifier with an electric lamp of FIG. 1 in a retracted position;

FIG. 7 is a top plan view of the retractable magnifier with an electric lamp of FIG. 1 in a retracted position;

FIG. 8 is a bottom plan view of the retractable magnifier with an electric lamp of FIG. 1 in a retracted position;

FIG. 9 is a left side view of the retractable magnifier with an electric lamp of FIG. 1 in a retracted position;

FIG. 10 is a right side view of the retractable magnifier with an electric lamp of FIG. 1 in a retracted position;

FIG. 11 is a front view of the retractable magnifier with an electric lamp of FIG. 1 in an extended position;

FIG. 12 is a rear view of the retractable magnifier with an electric lamp of FIG. 1 in an extended position;

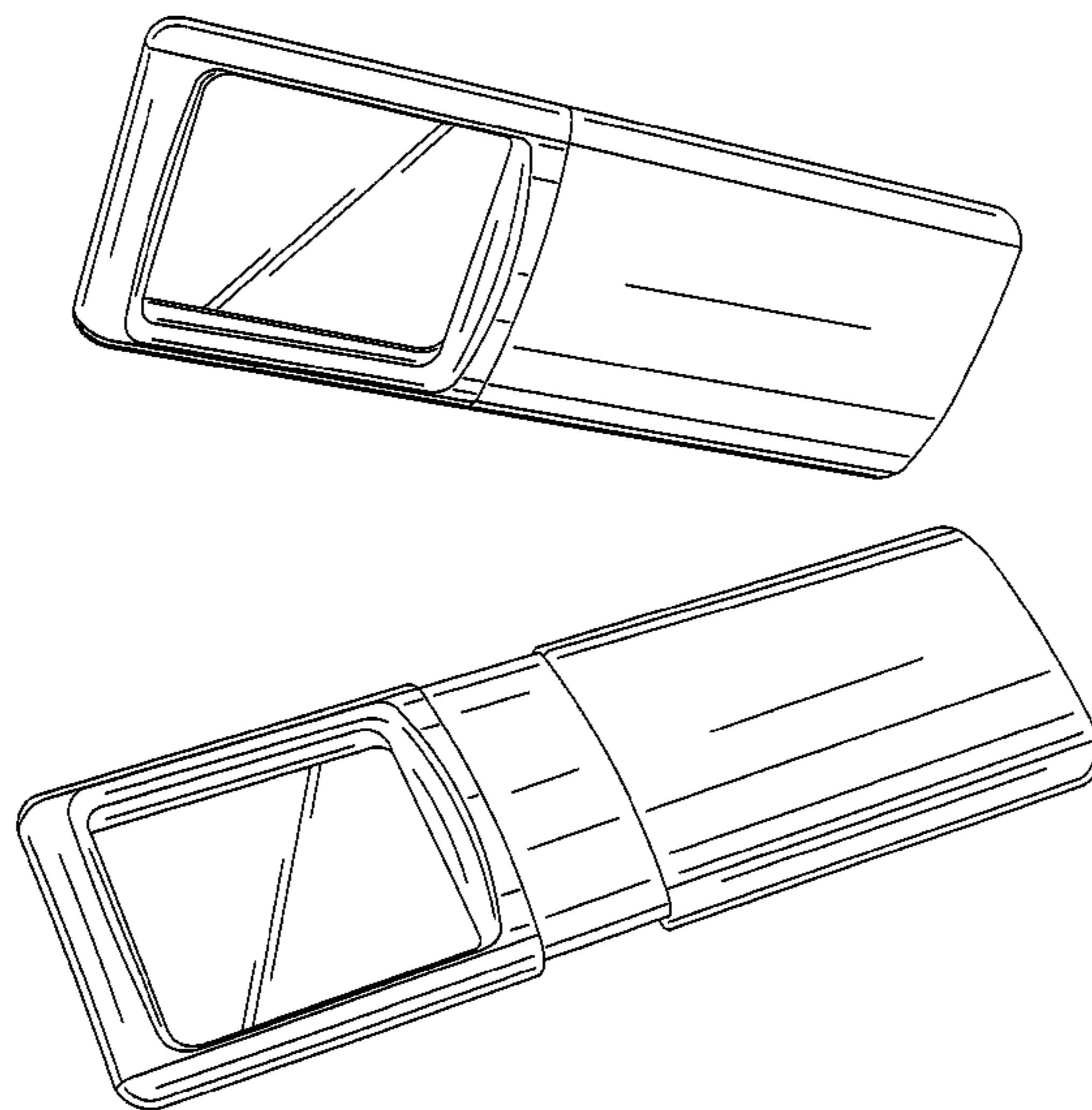
FIG. 13 is a top plan view of the retractable magnifier with an electric lamp of FIG. 1 in an extended position;

FIG. 14 is a bottom plan view of the retractable magnifier with an electric lamp of FIG. 1 in an extended position;

FIG. 15 is a left side view of the retractable magnifier with an electric lamp of FIG. 1 in an extended position; and,

FIG. 16 is a right side view of the retractable magnifier with an electric lamp of FIG. 1 in an extended position.

1 Claim, 4 Drawing Sheets



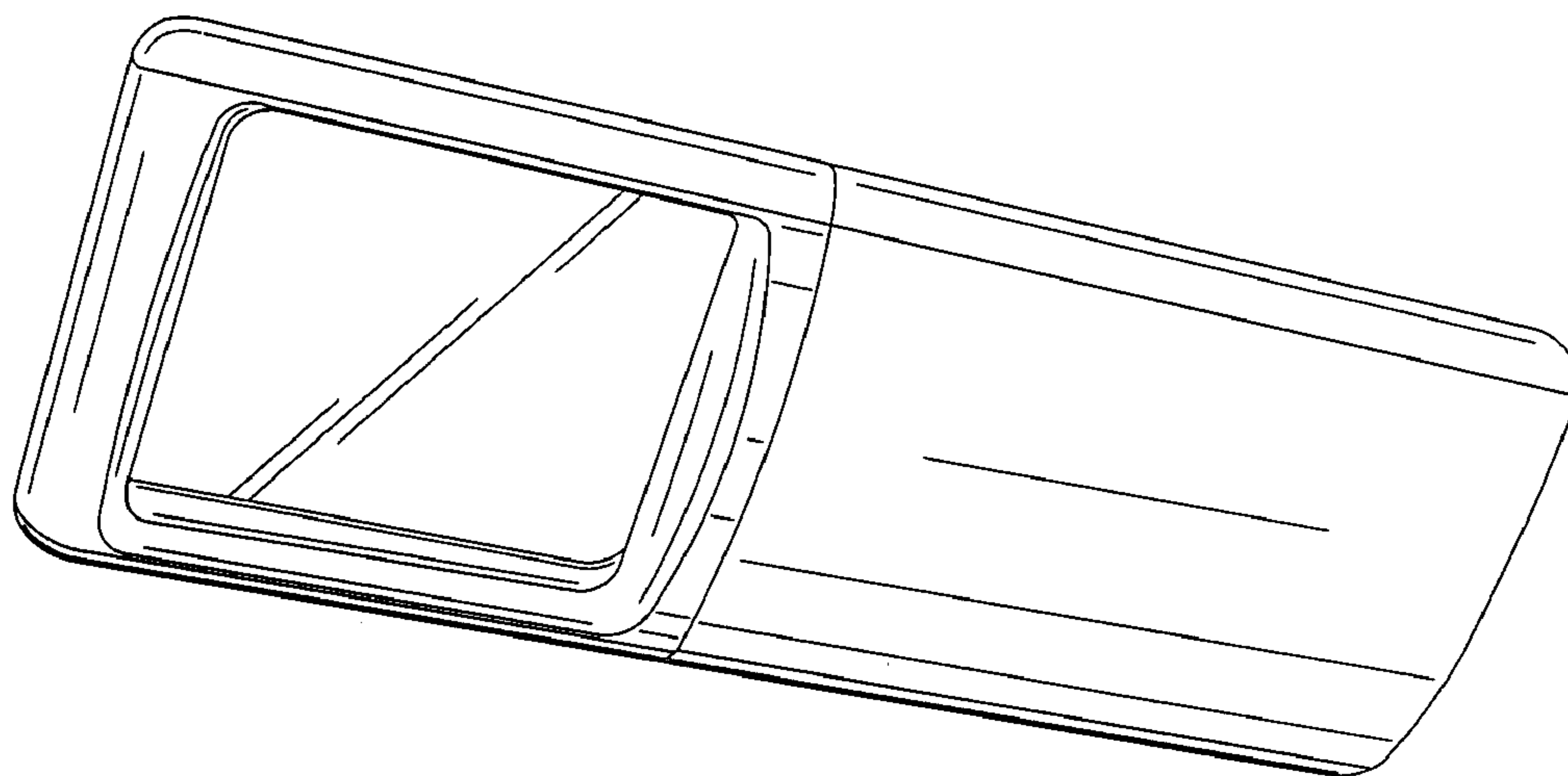


FIG. 1

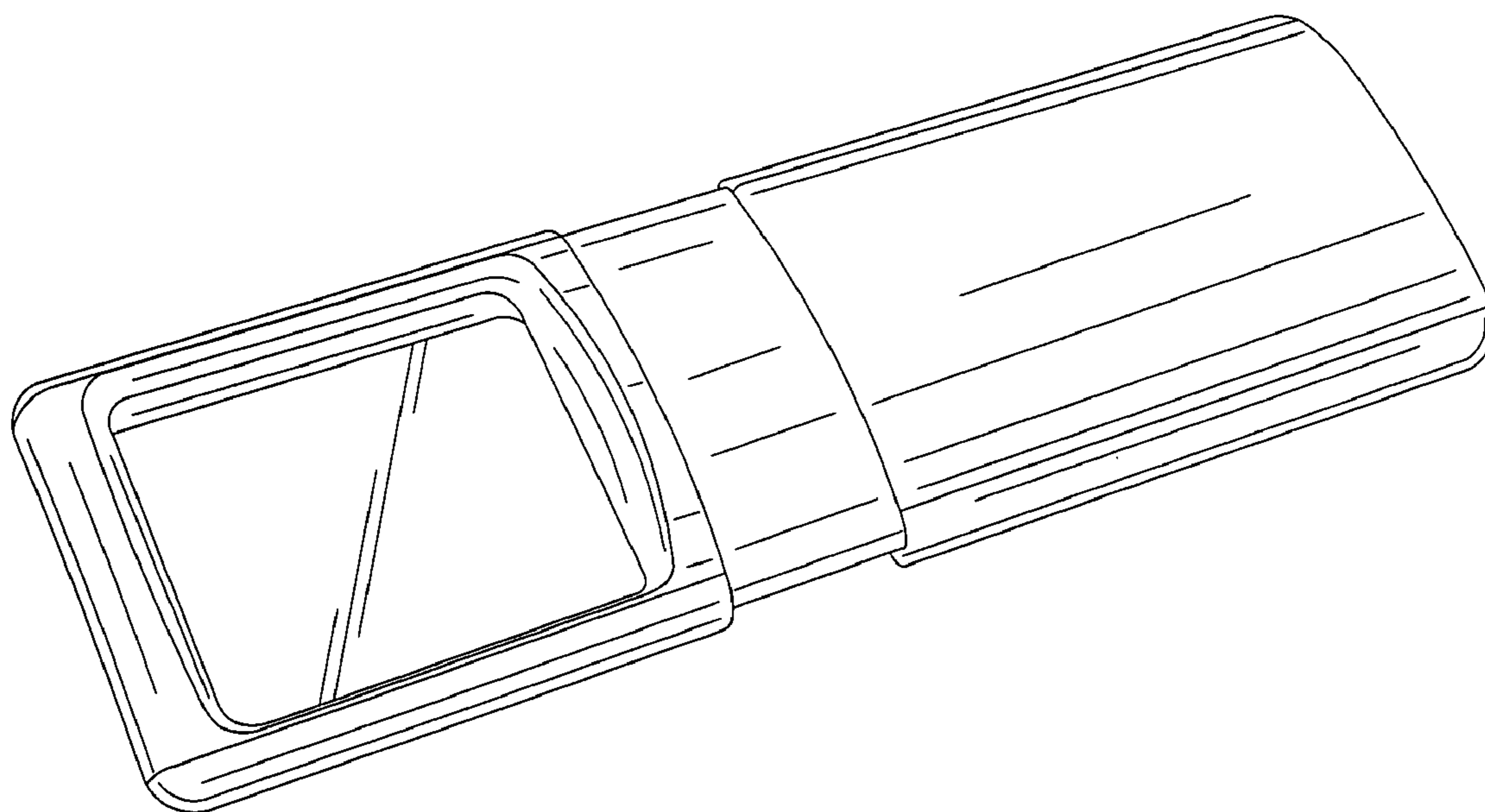


FIG. 2

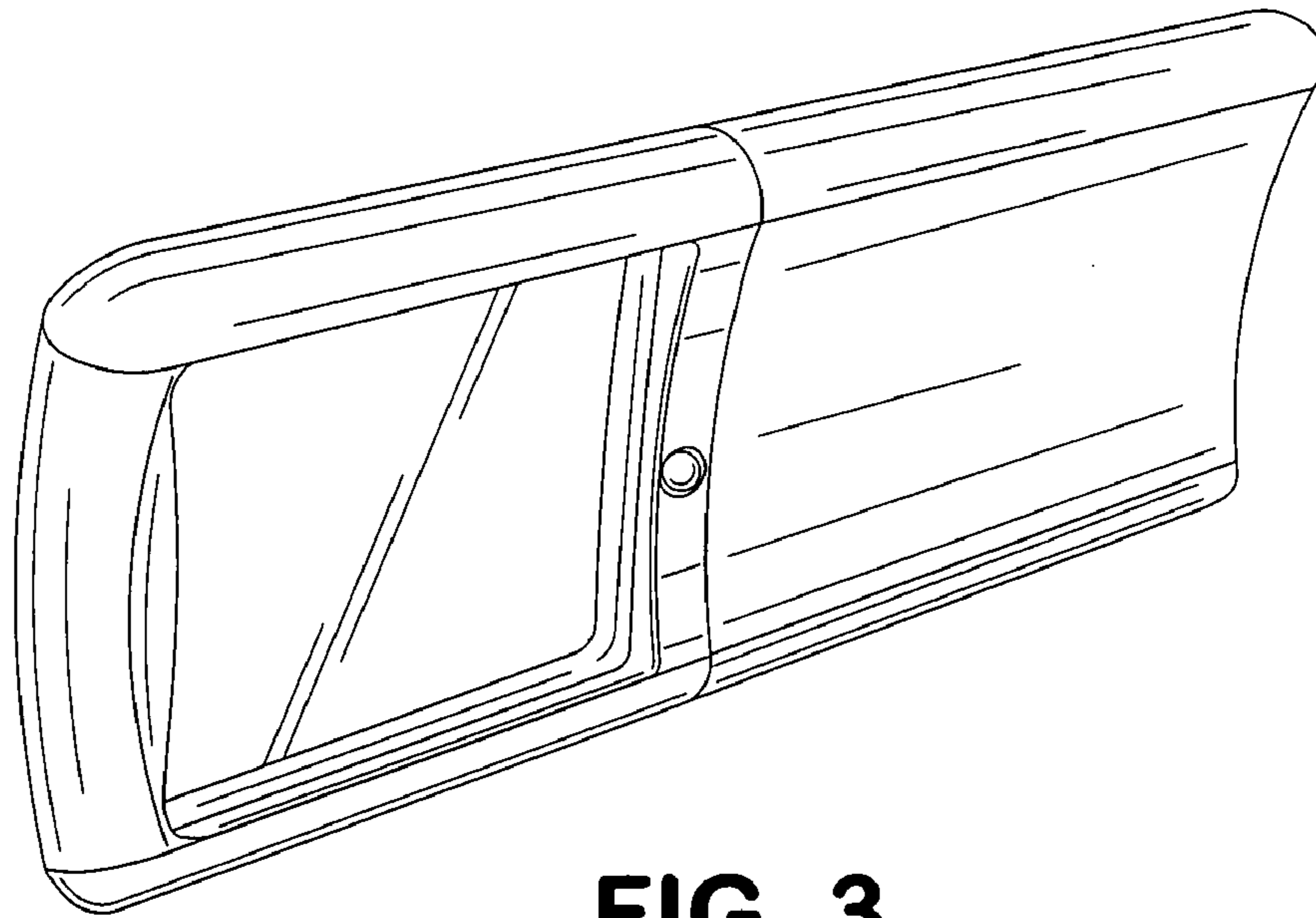


FIG. 3

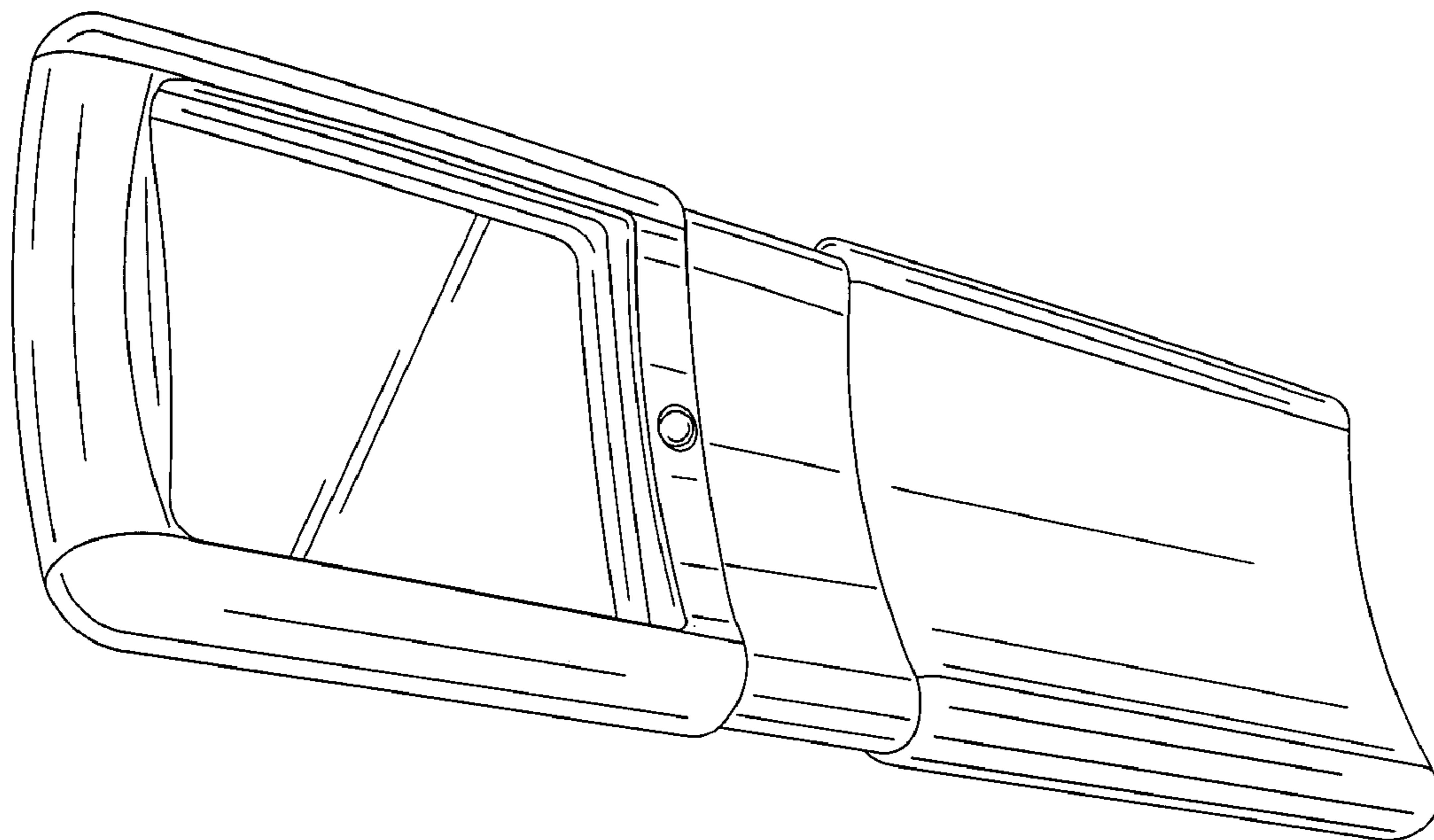


FIG. 4

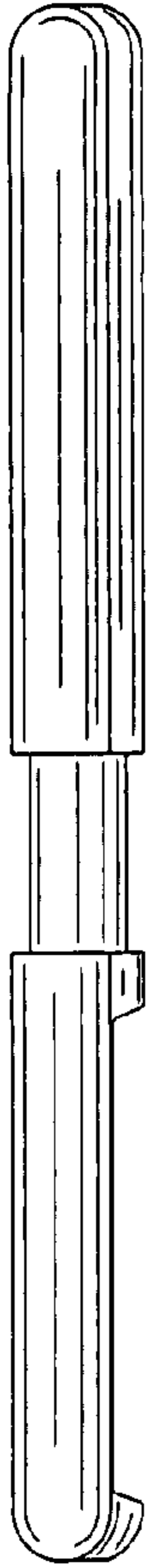


FIG. 7

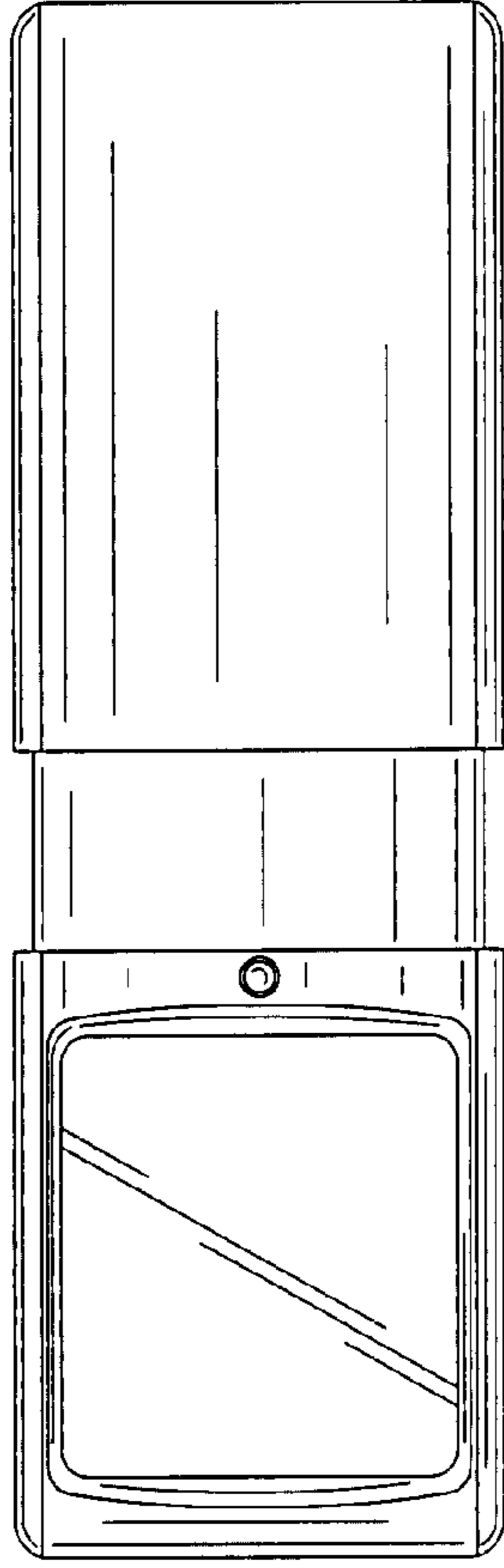


FIG. 5

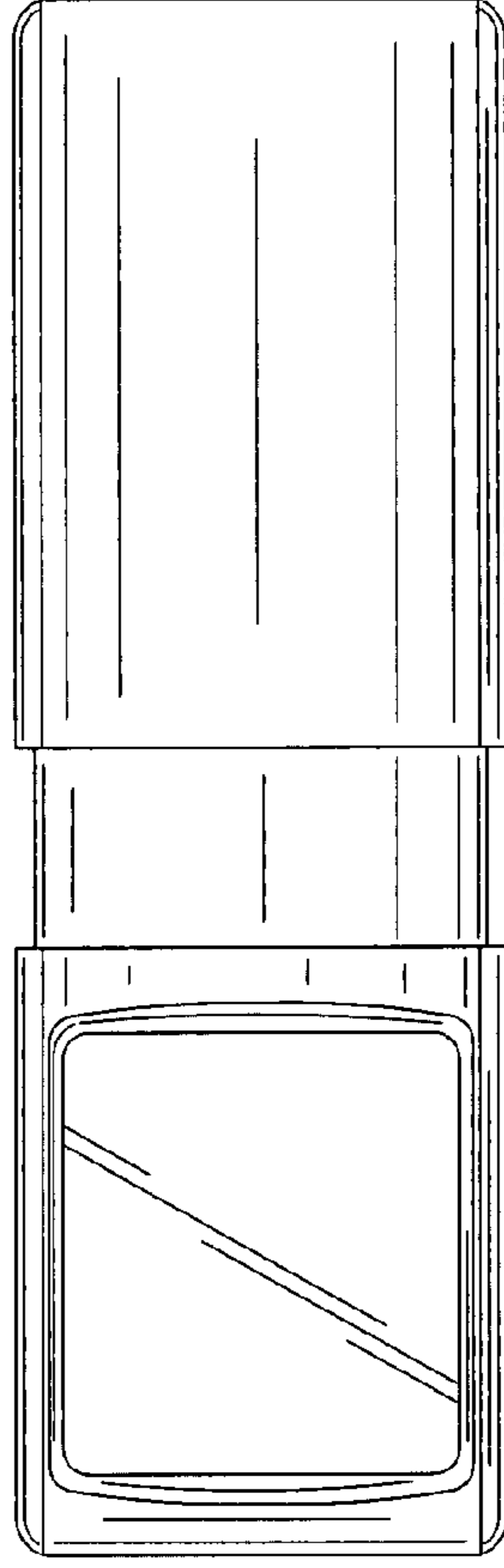


FIG. 6

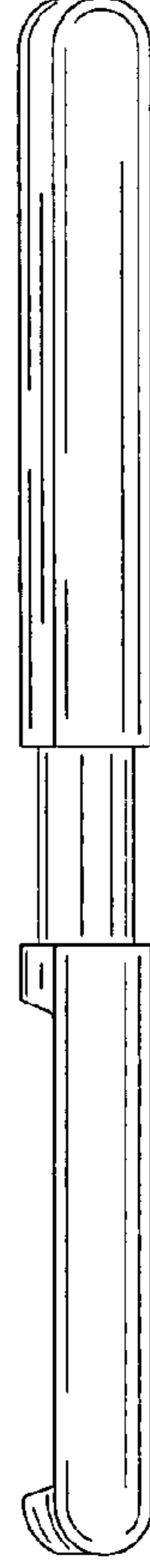


FIG. 8



FIG. 10

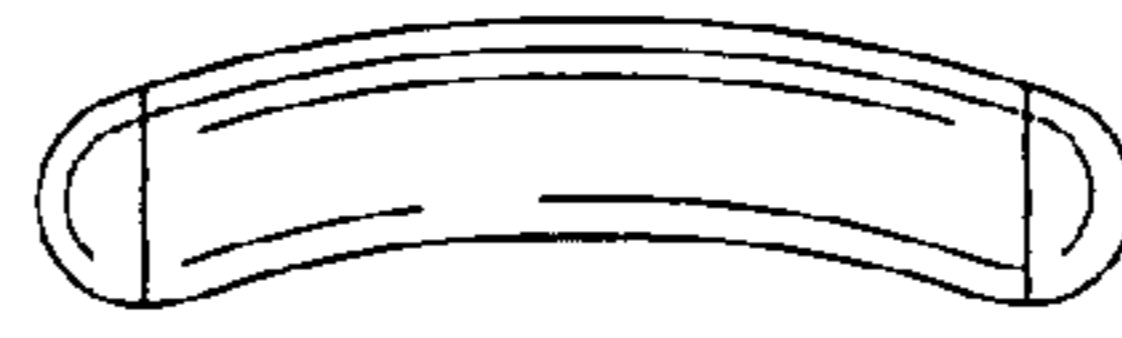


FIG. 9

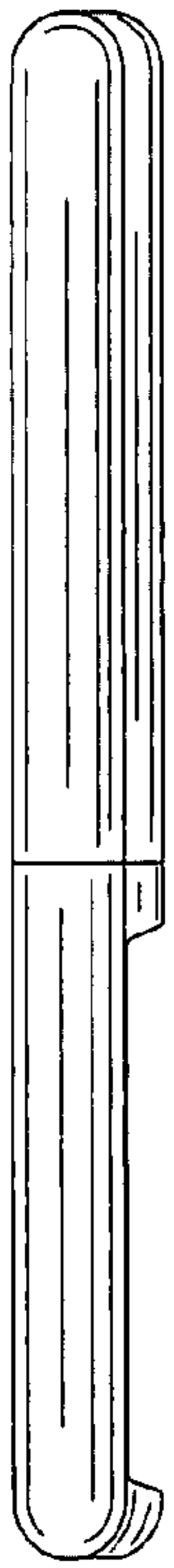


FIG. 13

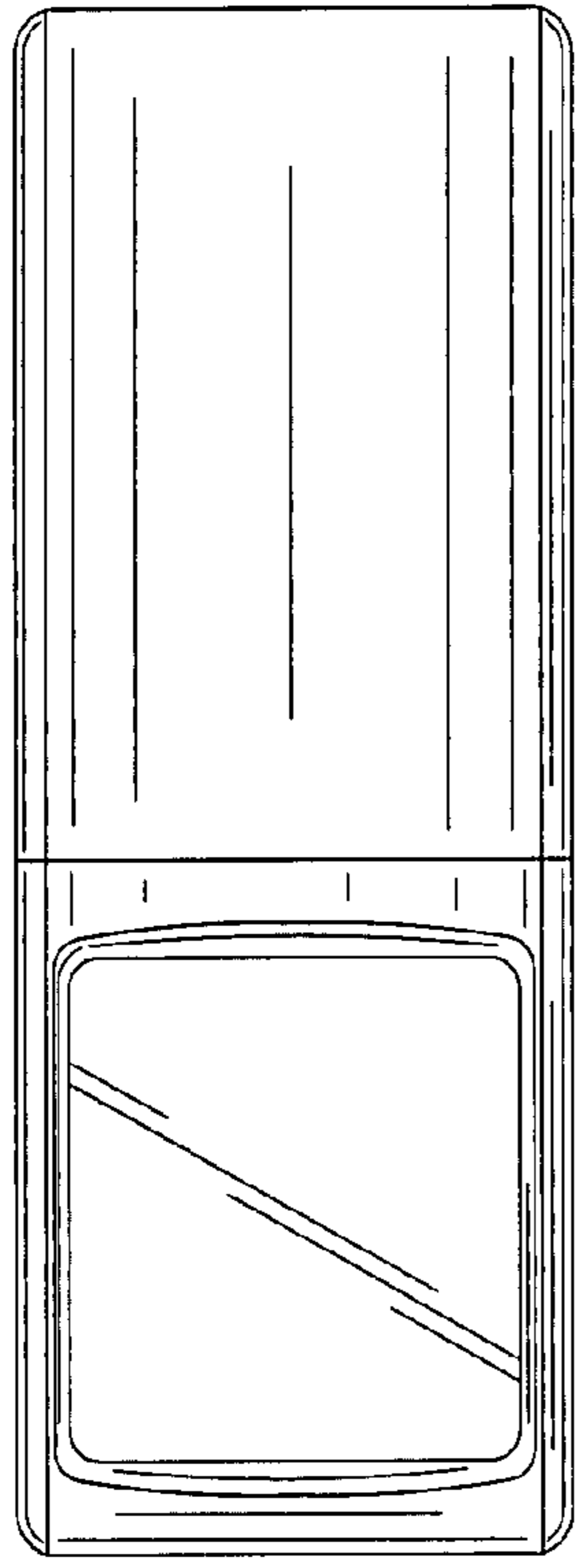


FIG. 12

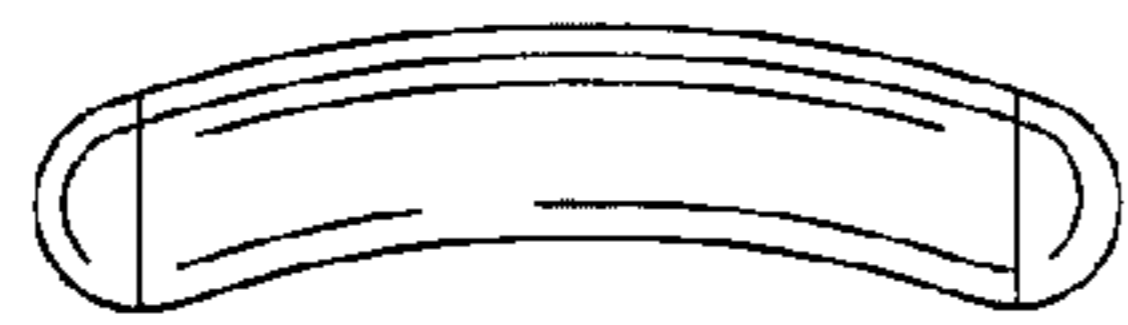


FIG. 15



FIG. 16

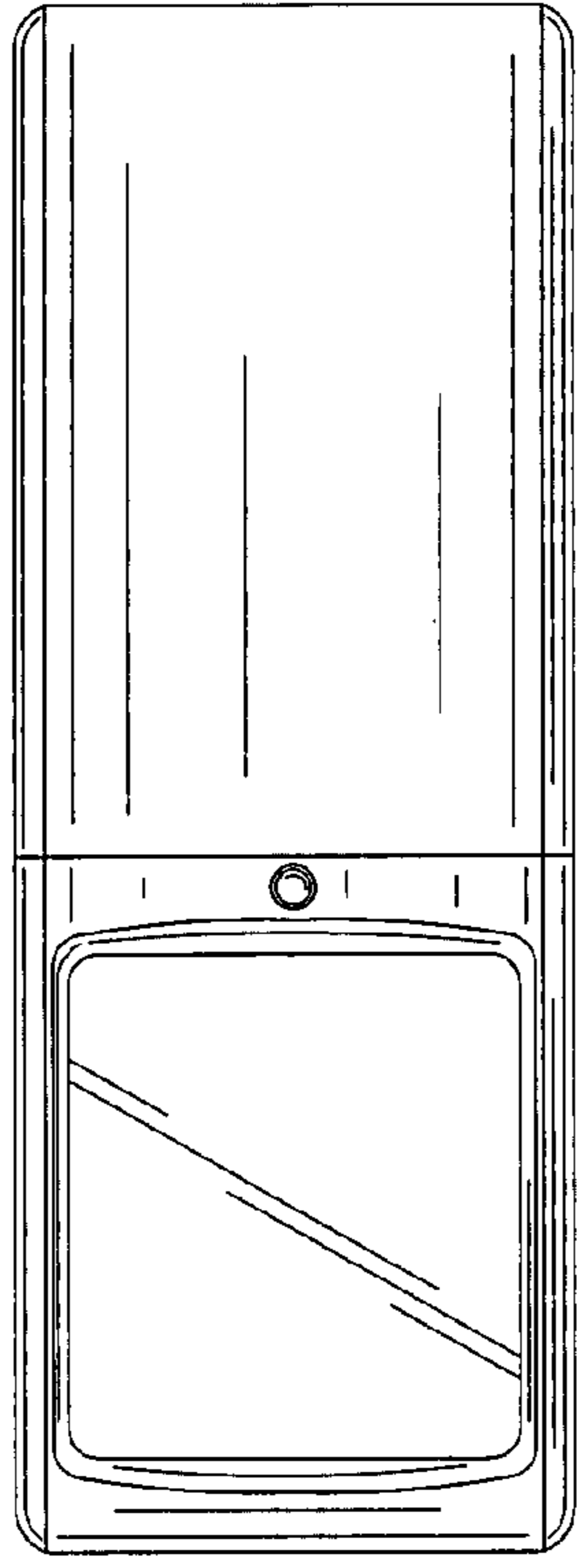


FIG. 11



FIG. 14