



US00D553272S

(12) **United States Design Patent**
Leung

(10) **Patent No.:** **US D553,272 S**

(45) **Date of Patent:** **** Oct. 16, 2007**

(54) **COMBINED FLASHLIGHT AND LANTERN**

D535,418 S * 1/2007 Martin D26/37

(75) Inventor: **James C. P. Leung**, New Territories (CN)

FOREIGN PATENT DOCUMENTS

(73) Assignee: **Masterwise International Limited**, Tsuen Wan, New Territories, Hong Kong (CN)

GB 2022523 * 4/1992

(**) Term: **14 Years**

* cited by examiner

(21) Appl. No.: **29/264,757**

Primary Examiner—Charles A. Rademaker

Assistant Examiner—Carissa C Fitts

(22) Filed: **Aug. 17, 2006**

(74) *Attorney, Agent, or Firm*—Alix, Yale & Ristas, LLP

(51) **LOC (8) Cl.** **26-02**

(57) **CLAIM**

The ornamental design for a combined flashlight and lantern, as shown and described.

(52) **U.S. Cl.** **D26/37; D26/49; D26/40**

DESCRIPTION

(58) **Field of Classification Search** D26/37, D26/40, 42, 46, 48, 49, 50, 11; 362/157, 362/158, 162, 171–174, 183, 184, 187, 190, 362/196, 199, 202, 203, 204, 205, 206, 208, 362/240

FIG. 1 is a top plan view of a combined flashlight and lantern showing my new design;

FIG. 2 is a bottom plan view thereof;

FIG. 3 is a front elevational view thereof;

FIG. 4 is a rear view thereof;

FIG. 5 is a left side elevational view thereof;

FIG. 6 is a right side elevational view thereof;

FIG. 7 is a front perspective view from bottom thereof;

FIG. 8 is a front perspective view from top thereof;

FIG. 9 is a front elevational view in extended condition thereof;

FIG. 10 is a rear view in extended condition thereof;

FIG. 11 is a left side view in extended condition thereof;

FIG. 12 is a right side view in extended condition thereof;

FIG. 13 is a front perspective view from bottom in extended condition thereof; and,

FIG. 14 is a front perspective view from top in extended condition thereof.

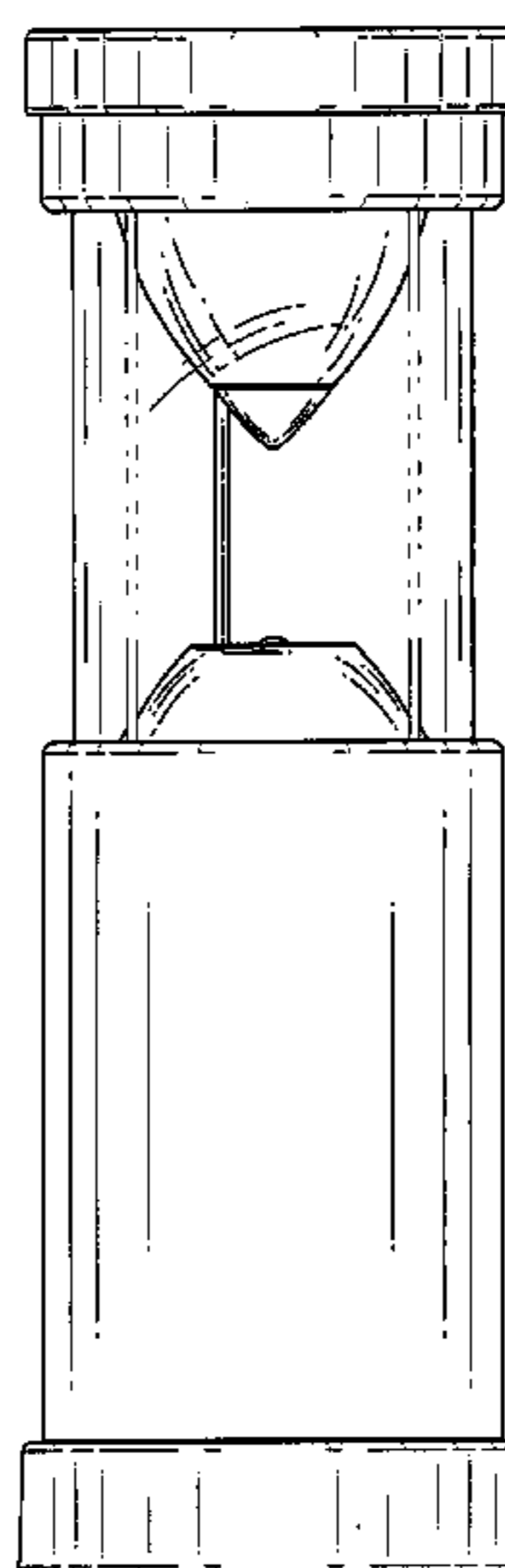
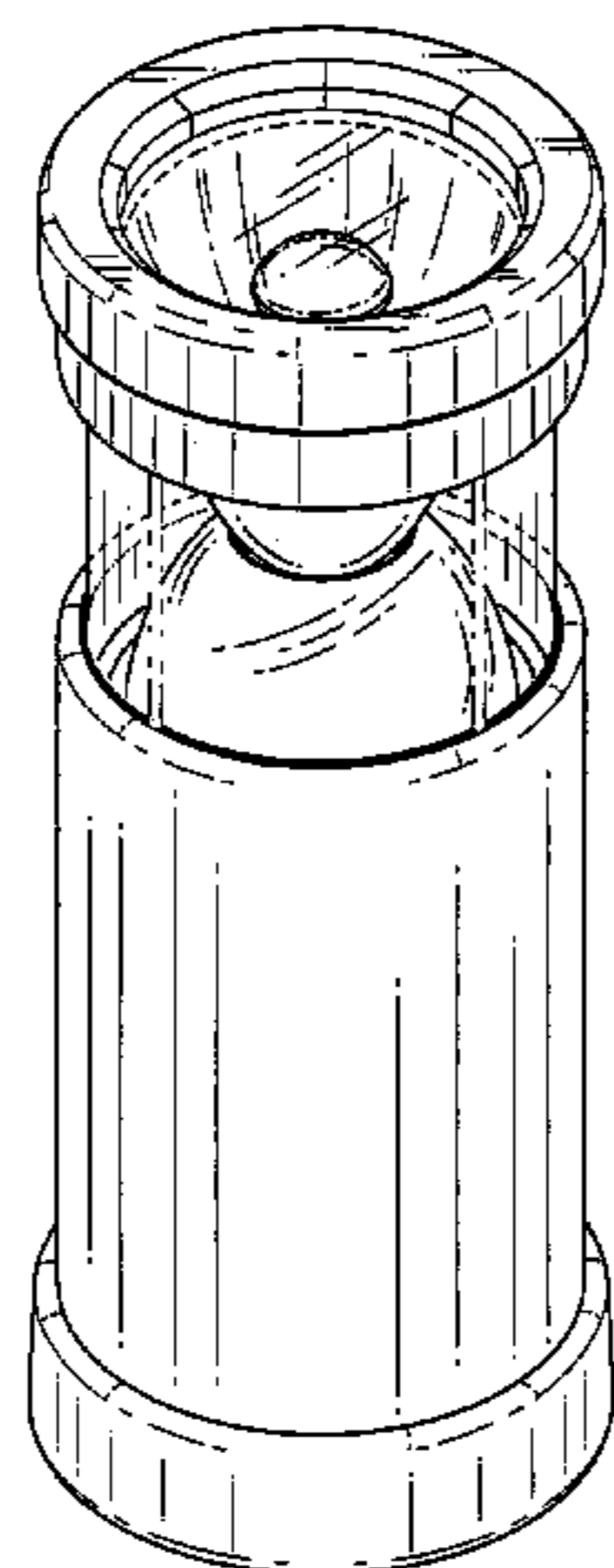
See application file for complete search history.

(56) **References Cited**

U.S. PATENT DOCUMENTS

D288,722 S	*	3/1987	Harada	D26/11
D293,482 S	*	12/1987	Geissler	D26/49
D321,568 S	*	11/1991	Yuen	D26/42
D330,775 S	*	11/1992	Yuen	D26/46
D341,900 S	*	11/1993	Yuen	D26/38
D365,164 S	*	12/1995	Yuen	D26/48
D371,214 S	*	6/1996	Terry, Sr.	D26/49
D451,221 S	*	11/2001	Poon	D26/42
6,685,335 B1	*	2/2004	Yeh et al.	362/184
D489,469 S	*	5/2004	Liou	D26/37
D505,506 S	*	5/2005	Kolflat	D26/37
D529,647 S	*	10/2006	Shiu	D26/40

1 Claim, 6 Drawing Sheets



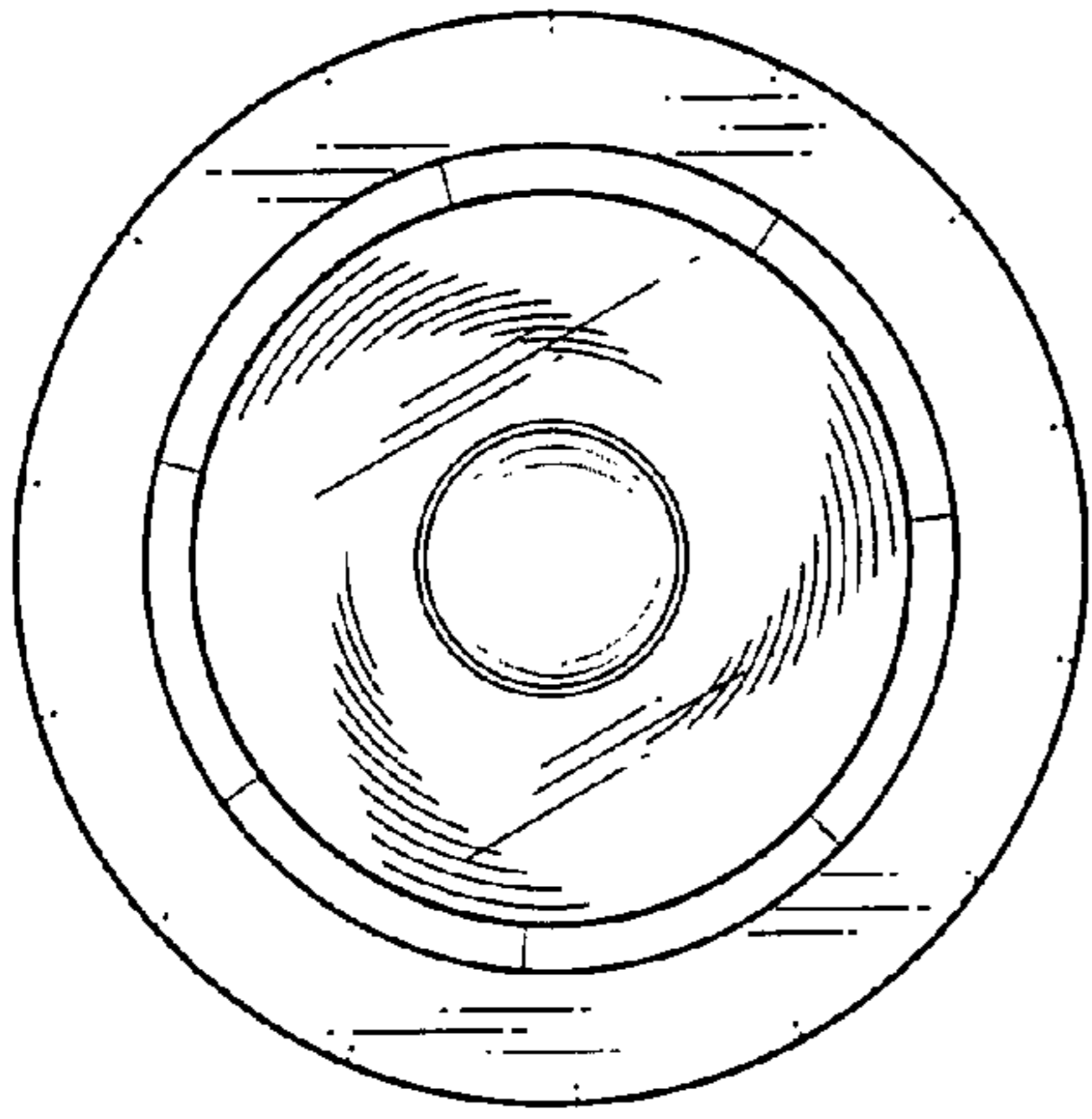


FIG. 1

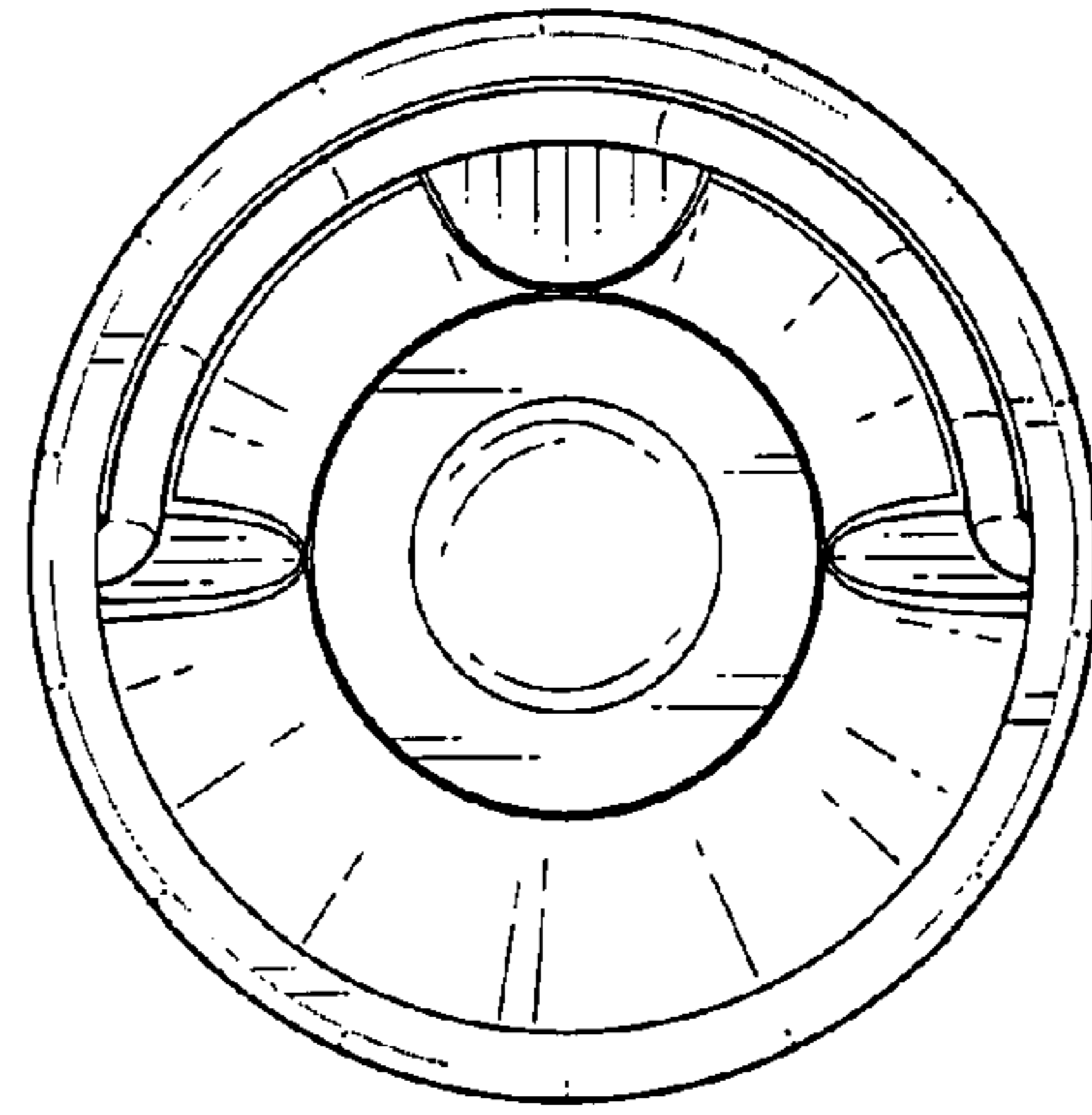


FIG. 2

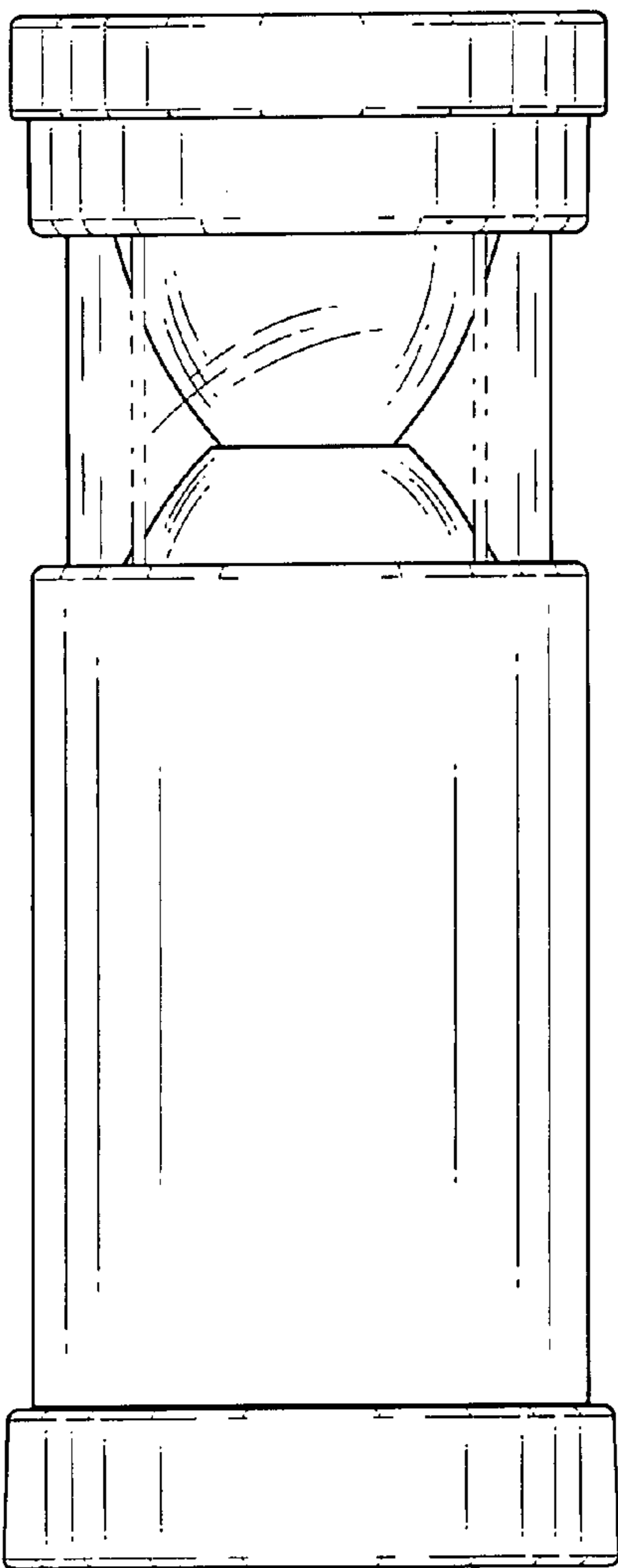


FIG. 3

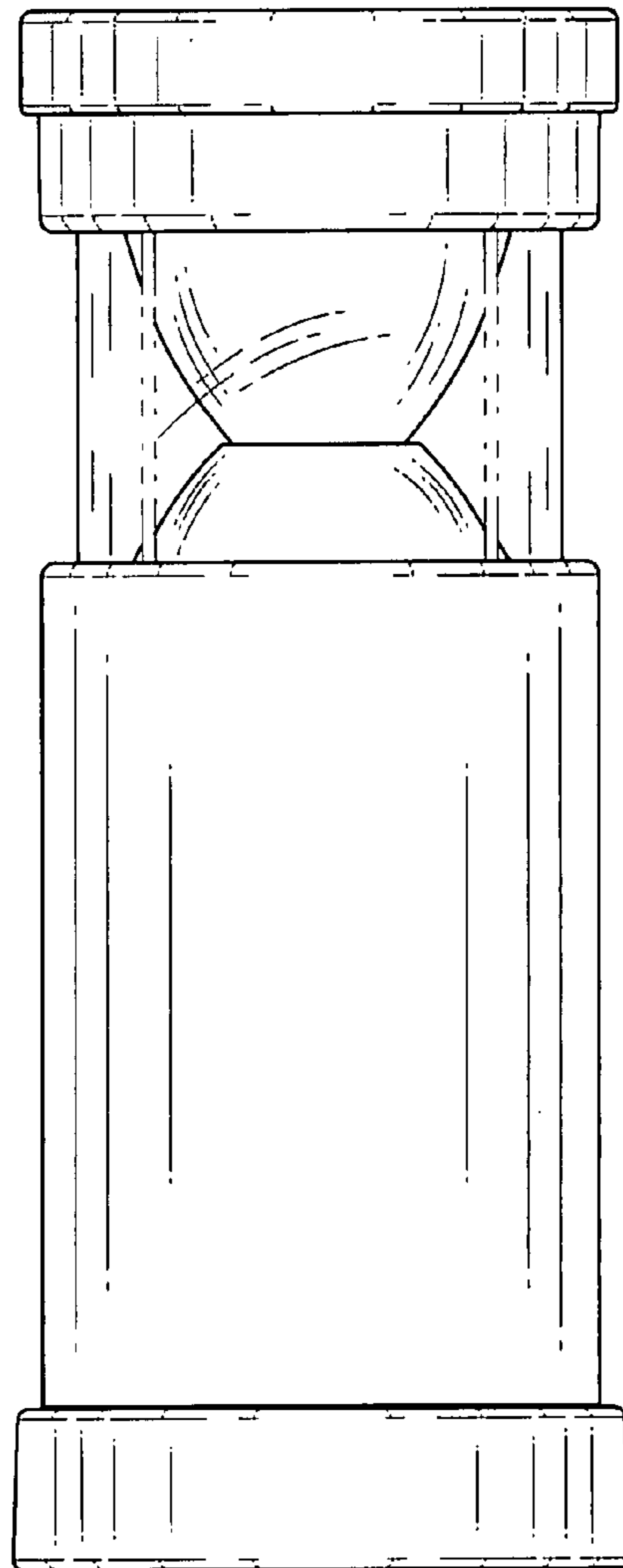


FIG. 4

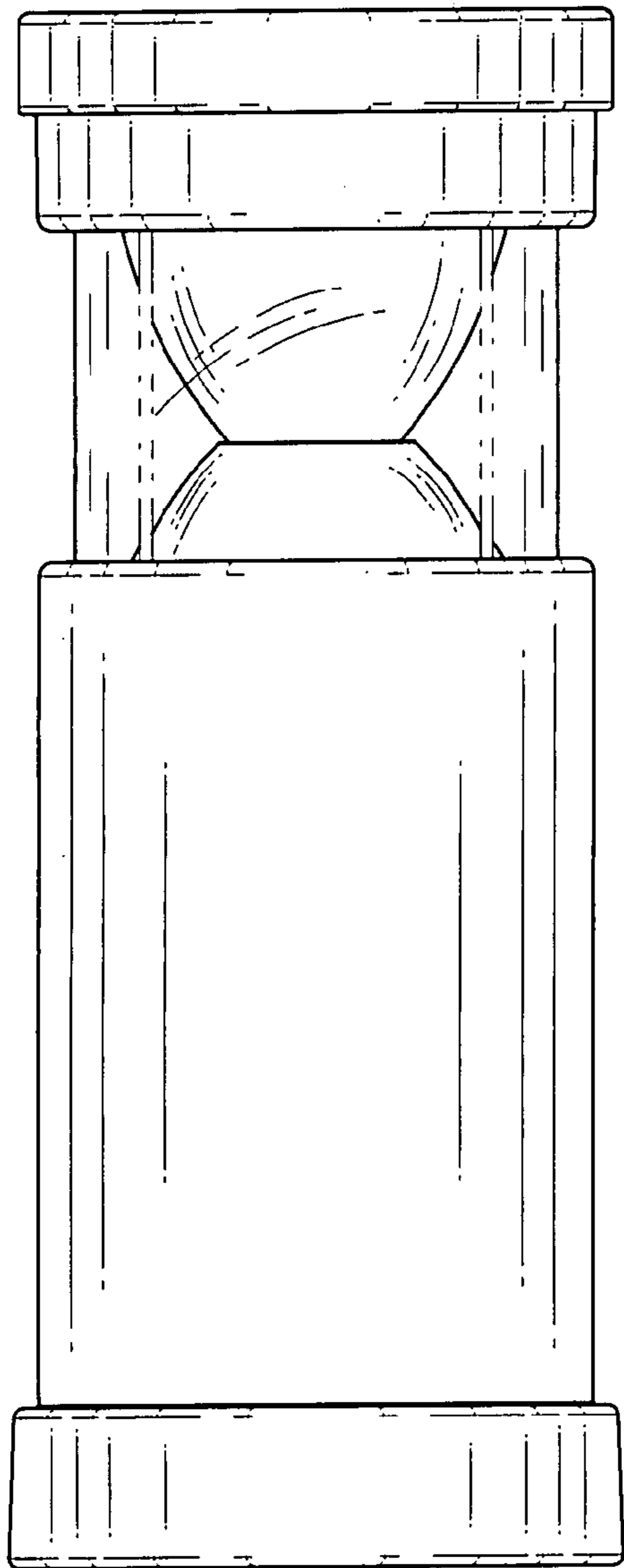


FIG. 5

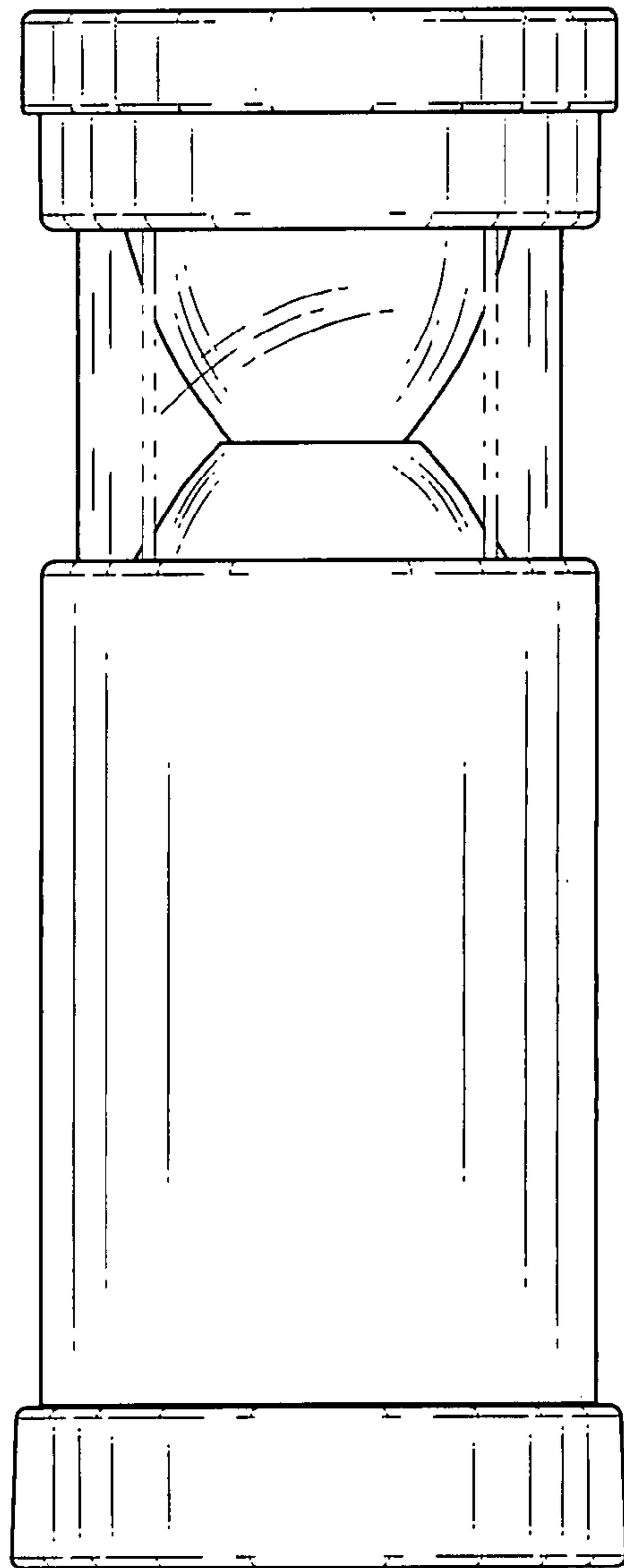


FIG. 6

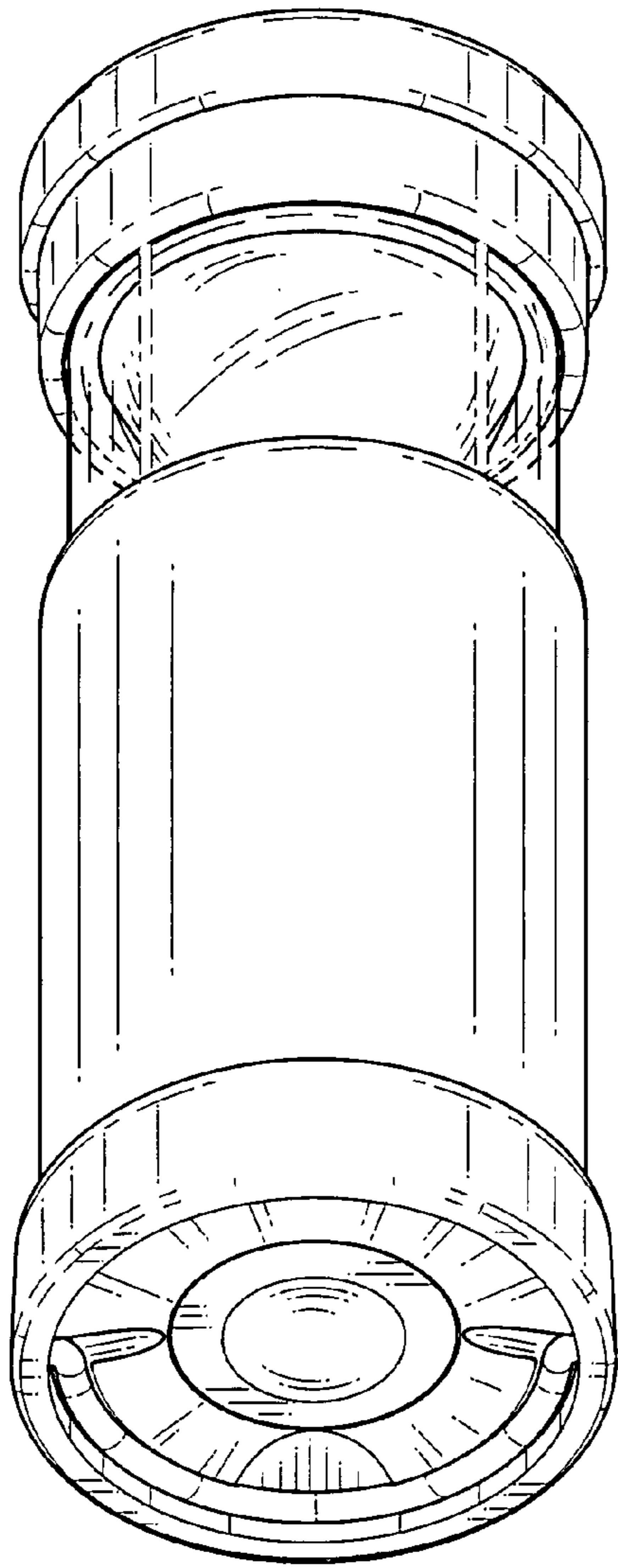


FIG. 7

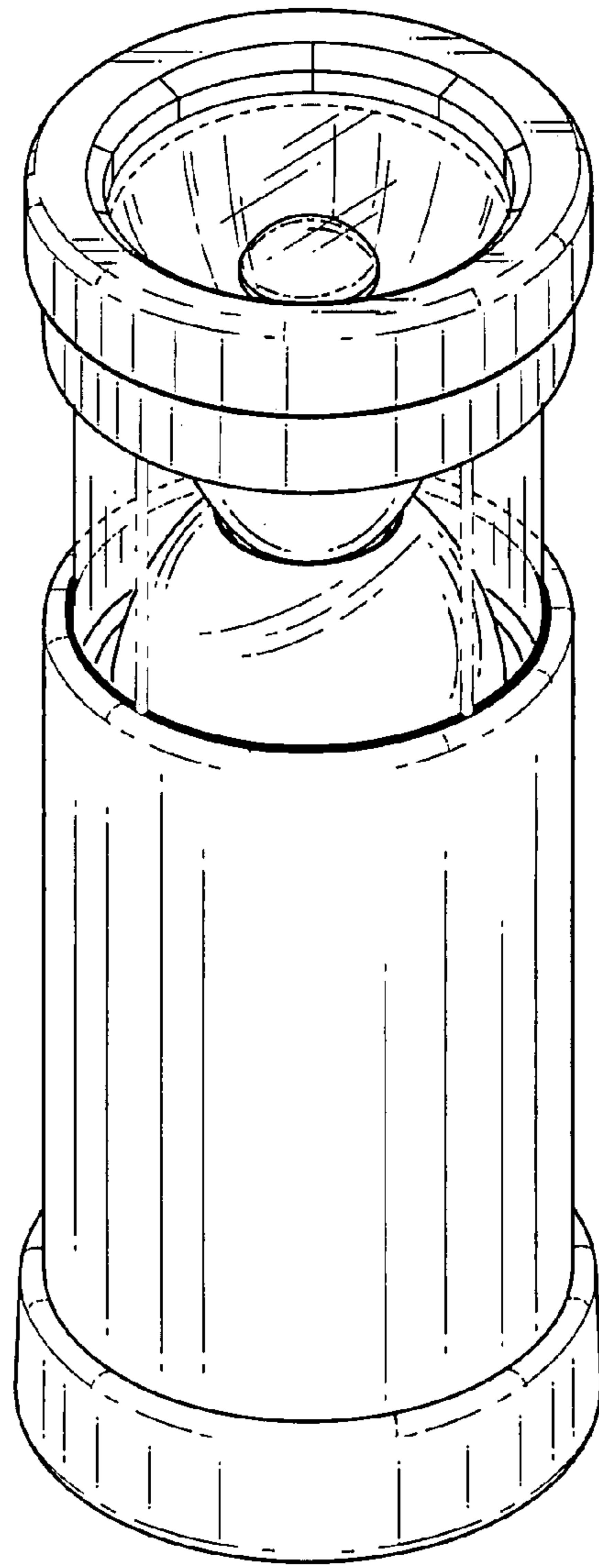


FIG. 8

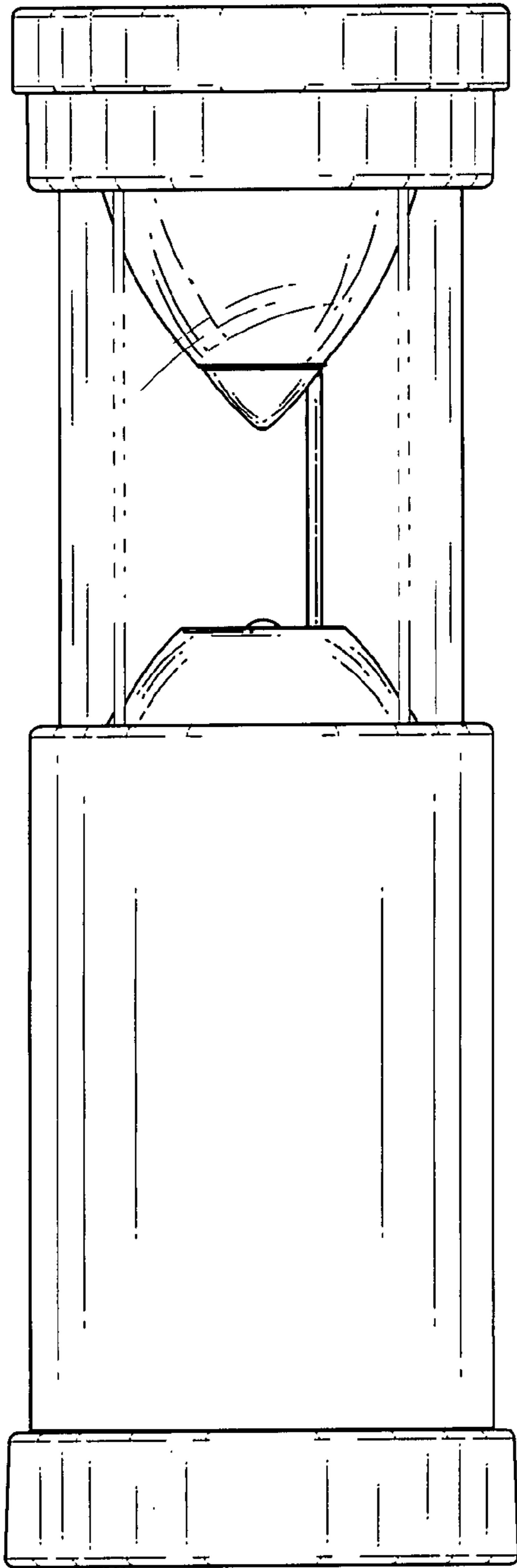


FIG. 9

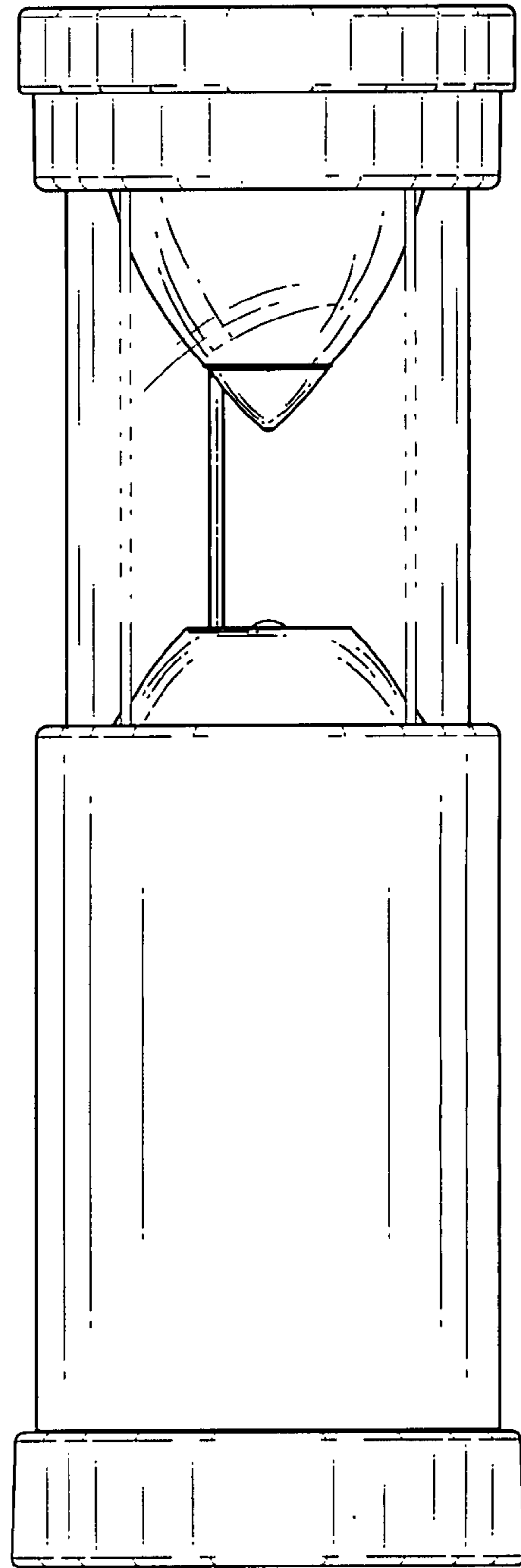


FIG. 10

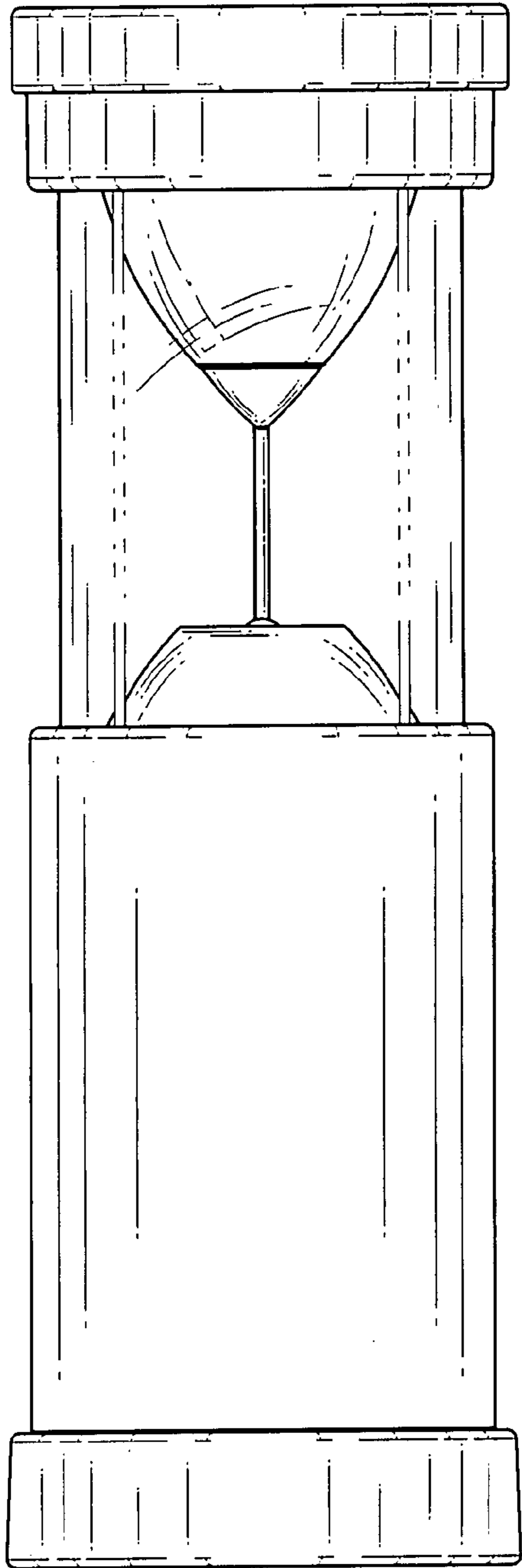


FIG. 11

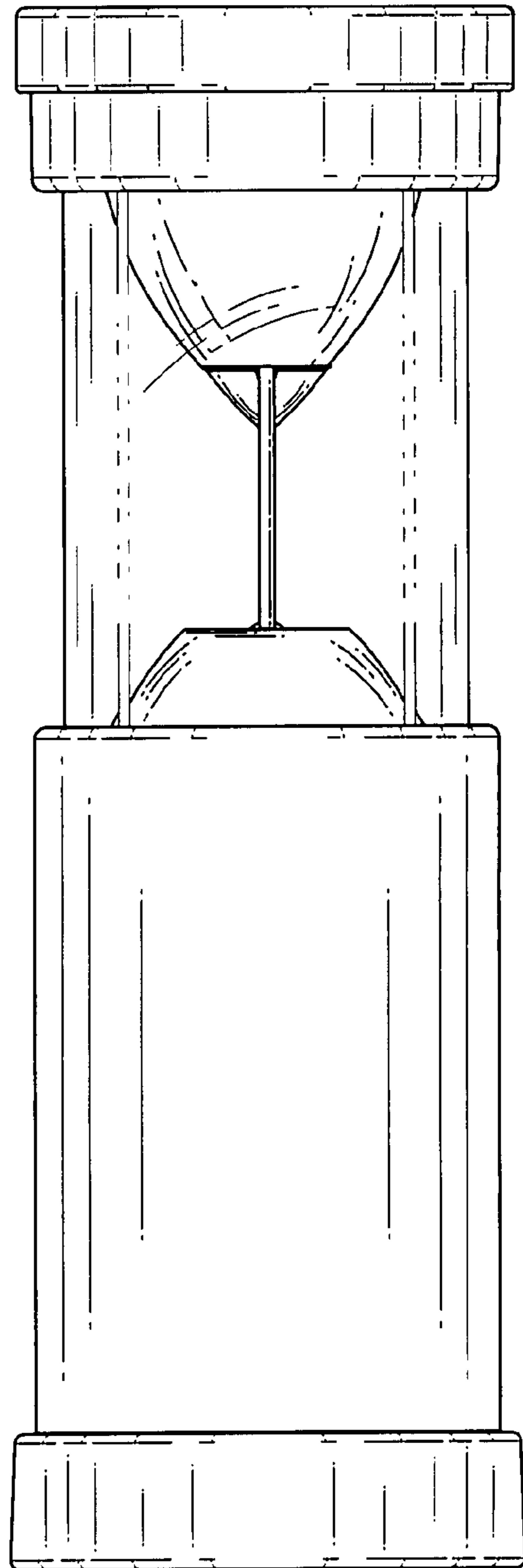


FIG. 12

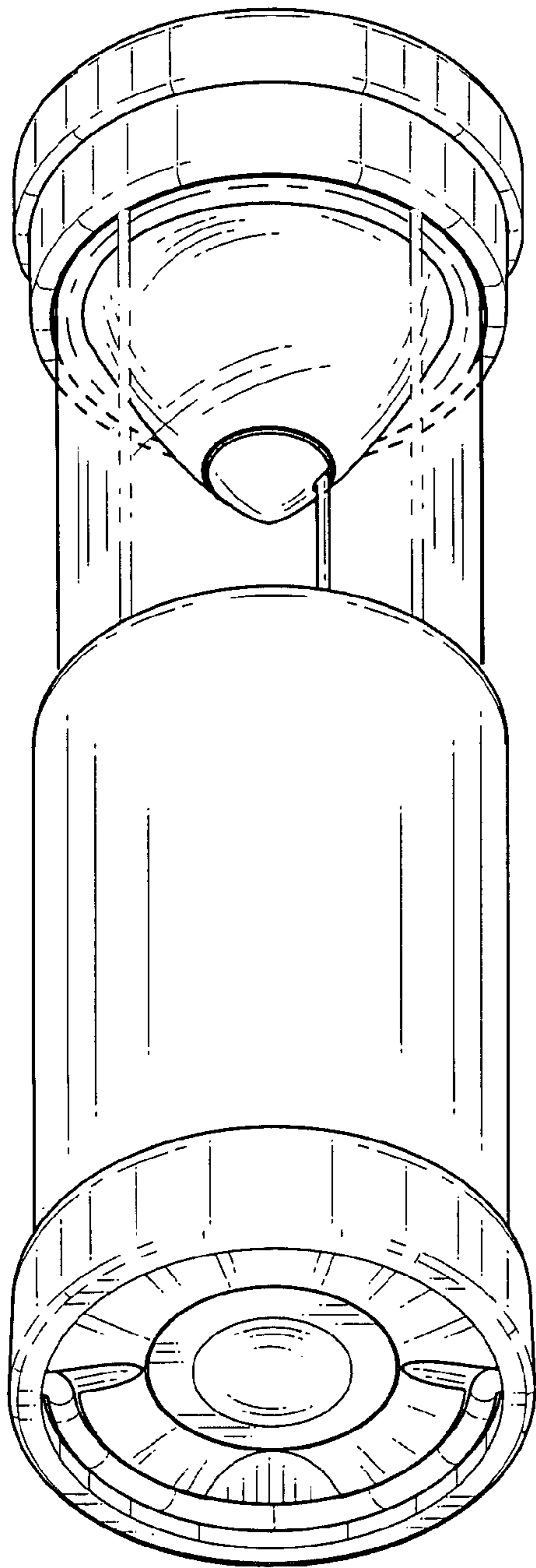


FIG. 13

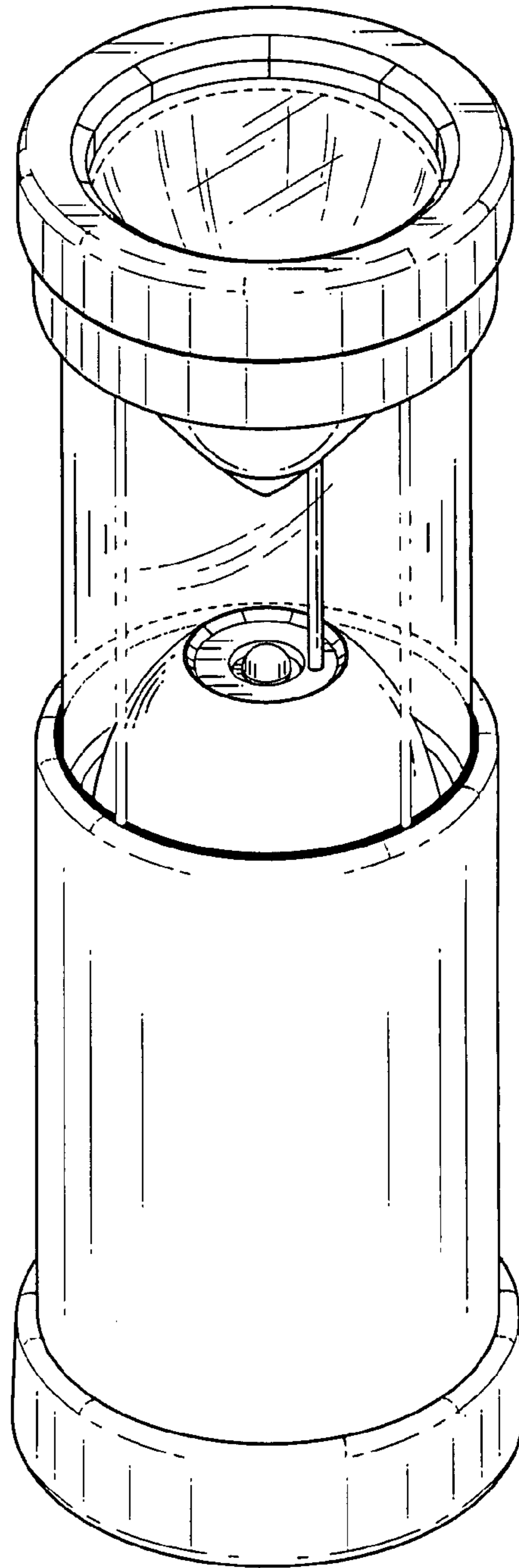


FIG. 14