



US00D553268S

(12) **United States Design Patent** (10) **Patent No.:** **US D553,268 S**  
**Pfeiffer** (45) **Date of Patent:** **\*\* Oct. 16, 2007**

(54) **SURFACE CONFIGURATION OF A  
TAILLIGHT FOR A VEHICLE**

(75) Inventor: **Peter Pfeiffer**, Boeblingen (DE)

(73) Assignee: **DaimlerChrysler AG**, Stuttgart (DE)

(\*\*) Term: **14 Years**

(21) Appl. No.: **29/185,599**

(22) Filed: **Jul. 1, 2003**

(51) **LOC (8) Cl.** ..... **26-06**

(52) **U.S. Cl.** ..... **D26/28**

(58) **Field of Classification Search** ..... D26/28-36;  
362/459-468, 473-478, 485-487  
See application file for complete search history.

(56) **References Cited**

U.S. PATENT DOCUMENTS

D455,508 S *	4/2002	Sinkwitz .....	D26/28
D465,039 S *	10/2002	Murkett .....	D26/28
D490,170 S *	5/2004	Metros et al. ....	D26/28
D491,298 S *	6/2004	Hall et al. ....	D26/28
D539,450 S *	3/2007	Pfeiffer .....	D26/28
D540,480 S *	4/2007	Pfeiffer .....	D26/28

\* cited by examiner

*Primary Examiner*—Marcus A. Jackson  
(74) *Attorney, Agent, or Firm*—Crowell & Moring LLP

(57) **CLAIM**

The ornamental design for a surface configuration of a taillight for a vehicle, as shown and described.

**DESCRIPTION**

This application is related to the following co-pending application, of the inventor, filed on even date herewith: Application Ser. No. 29/185,598, entitled "Surface Configuration of a Vehicle, Toy and/or Other Replicas".

FIG. 1 is a perspective view of a first embodiment of a surface configuration of a taillight for a vehicle according to my novel design;

FIG. 2 is a side view of the first embodiment of the surface configuration of a taillight for a vehicle according to my novel design;

FIG. 3 is a front view of the first embodiment of the surface configuration of a taillight for a vehicle according to my novel design;

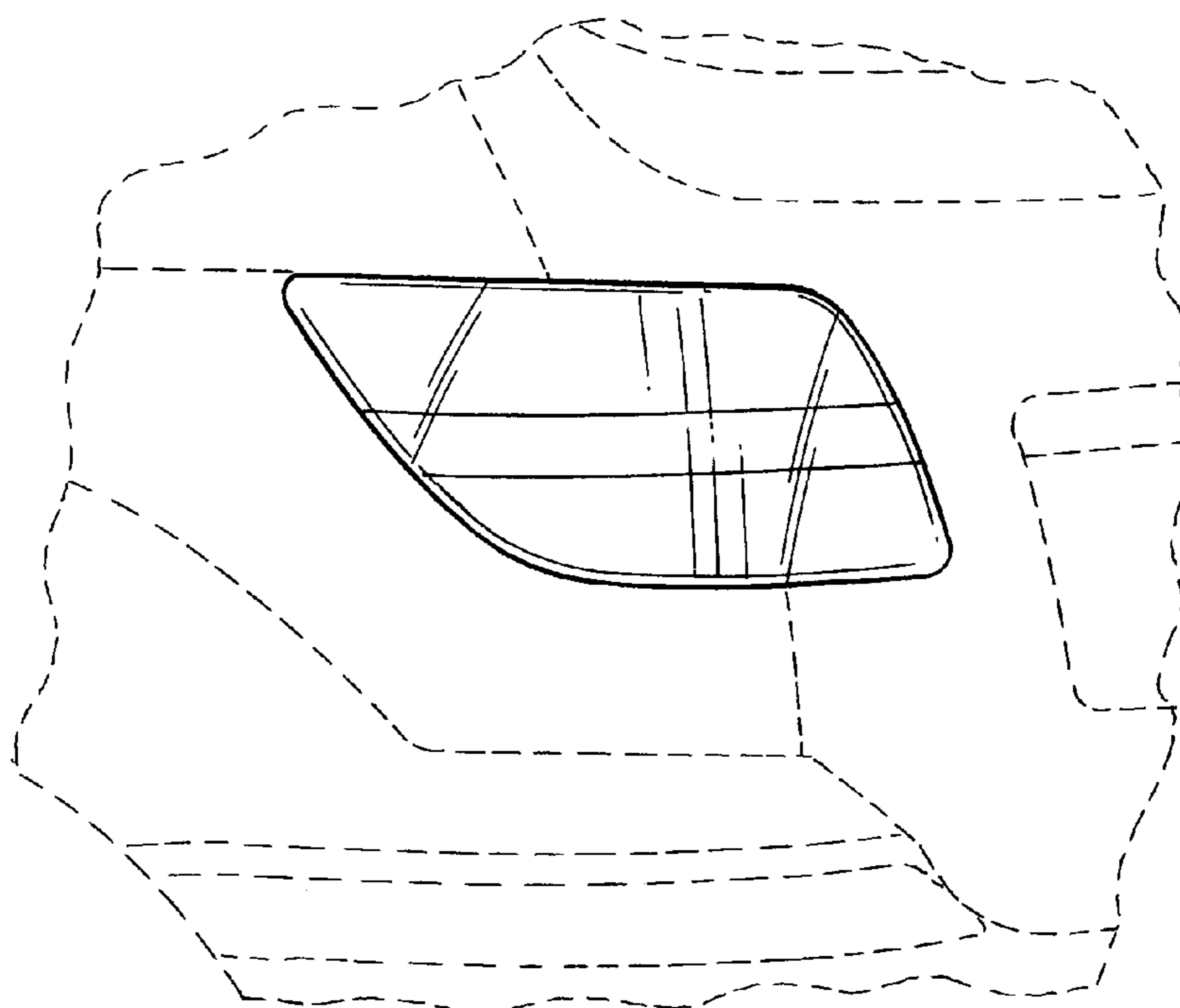
FIG. 4 is a perspective view of a second embodiment of the surface configuration of a taillight for a vehicle according to my novel design;

FIG. 5 is a side view of the second embodiment of the surface configuration of a taillight for a vehicle according to my novel design; and,

FIG. 6 is a front view of the second embodiment of the surface configuration of a taillight for a vehicle according to my novel design.

The broken lines are for illustrative purposes only and form no part of the claimed design.

**1 Claim, 4 Drawing Sheets**



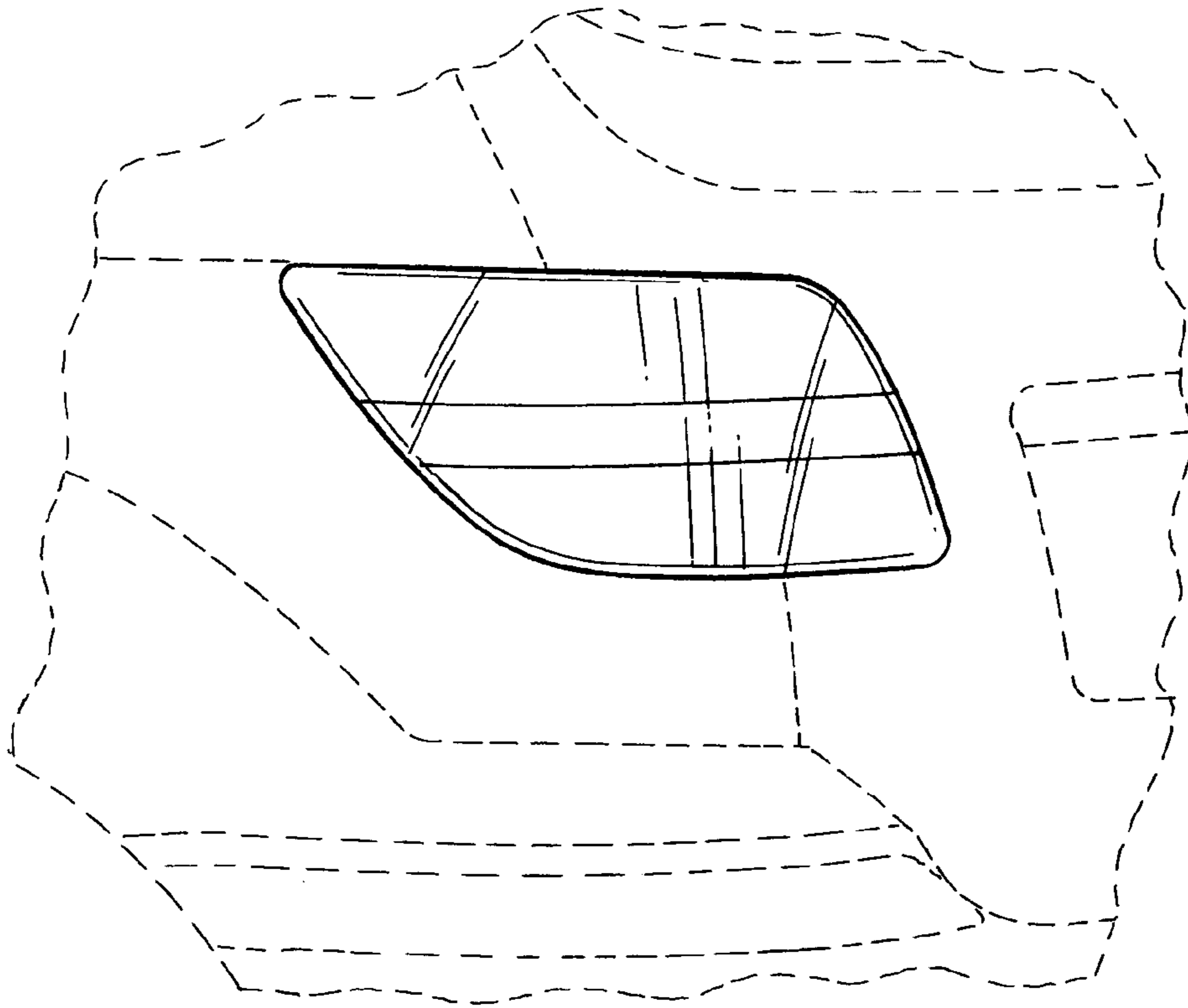


FIG. 1

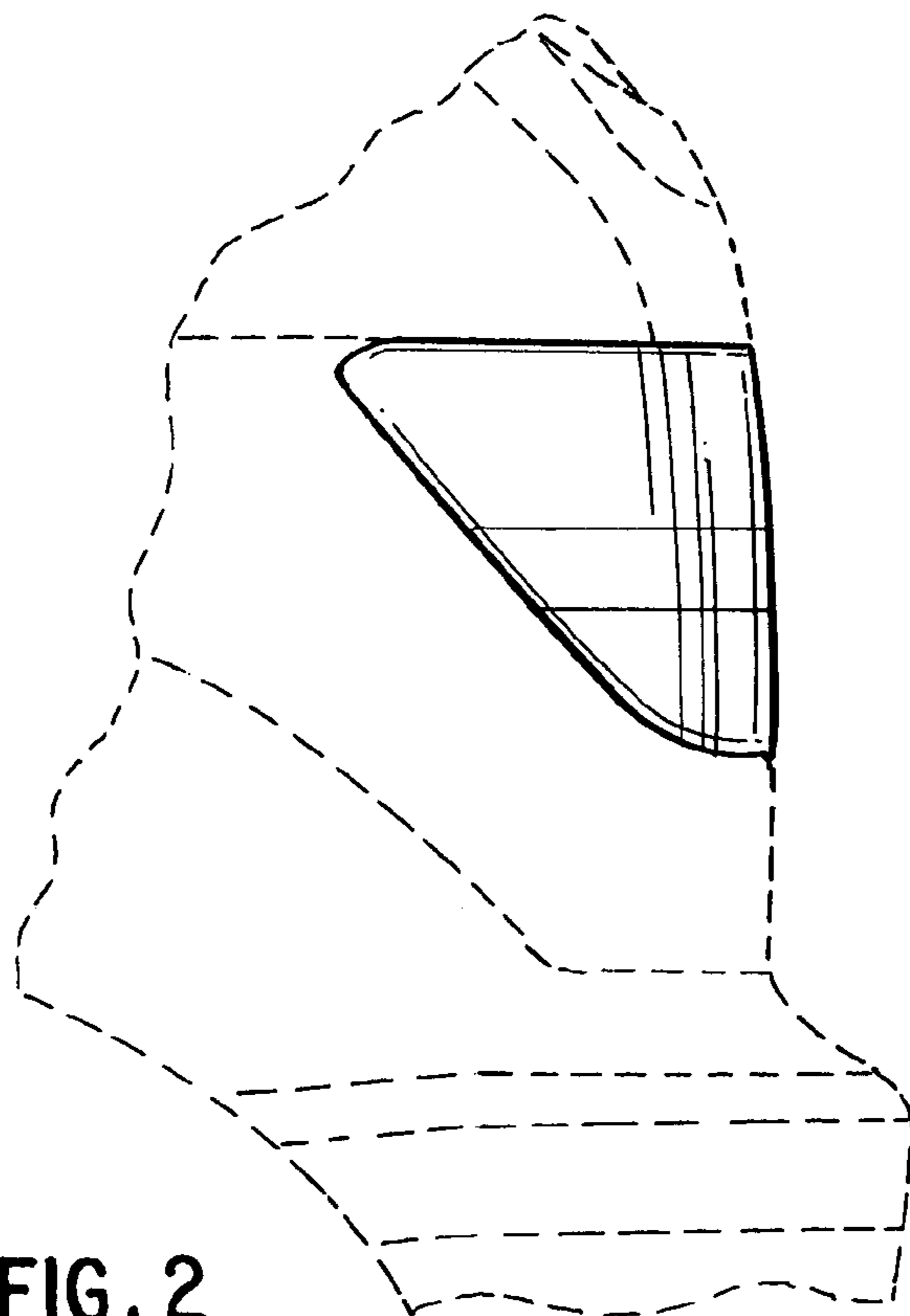


FIG. 2

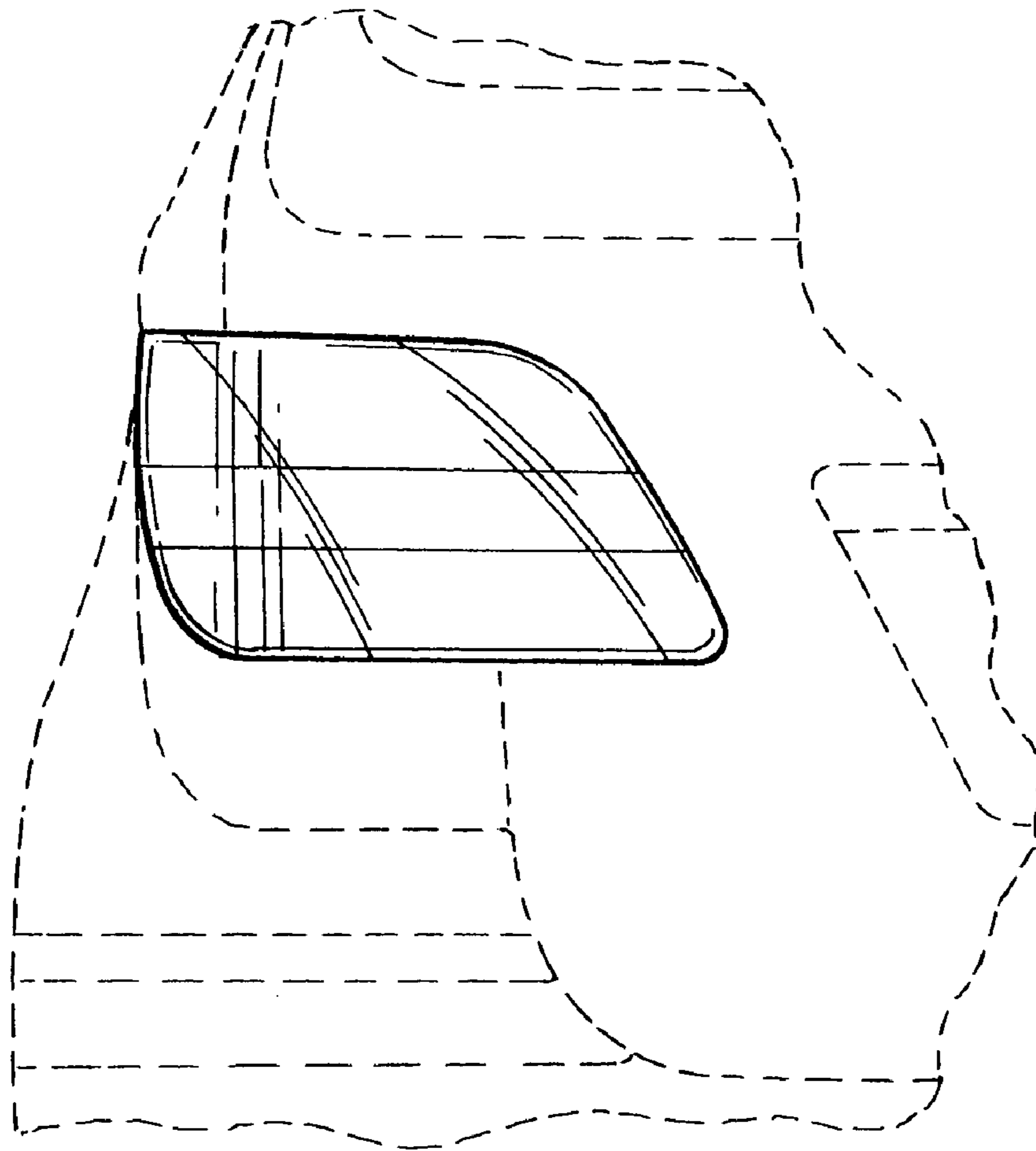


FIG. 3

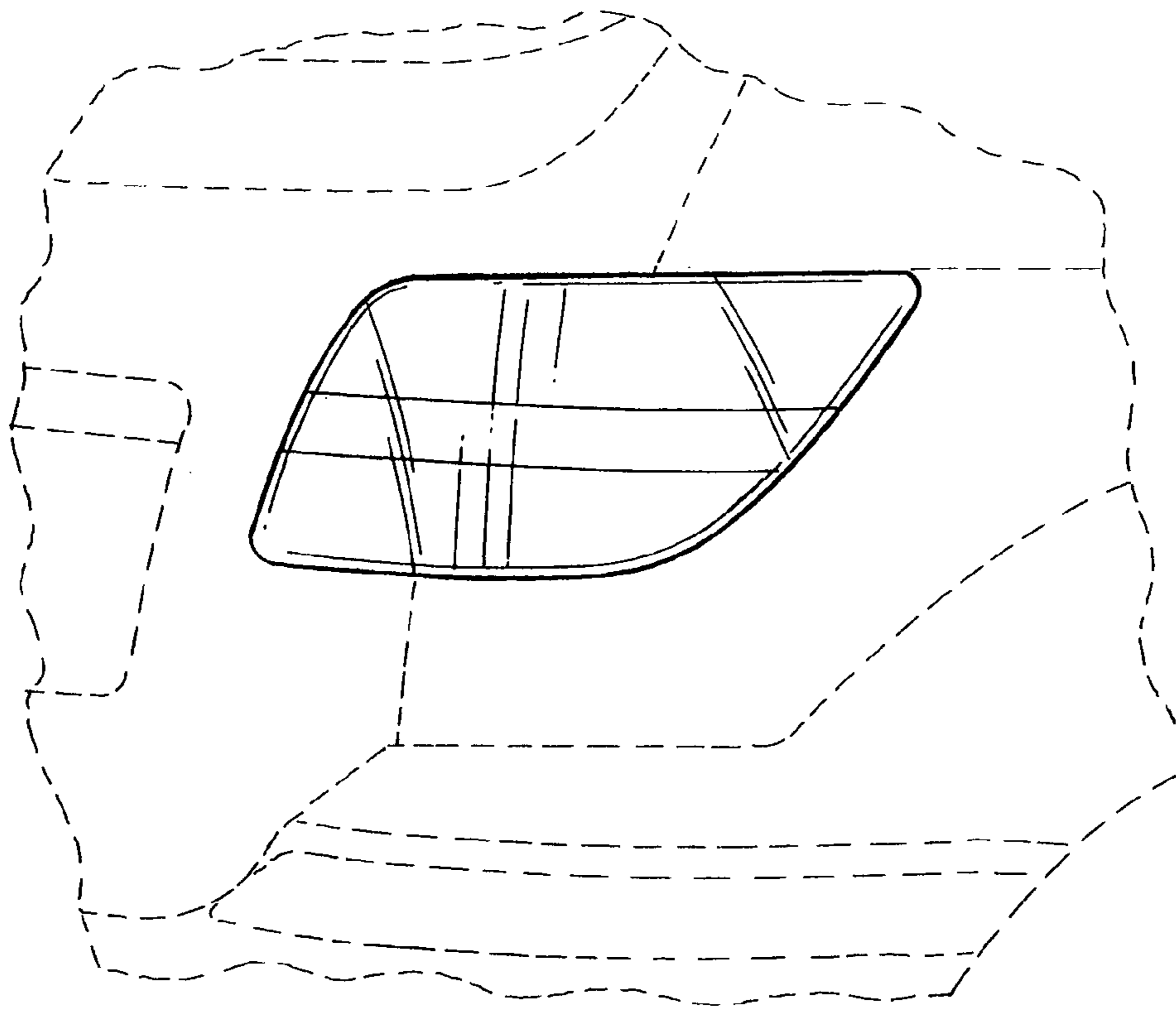


FIG. 4

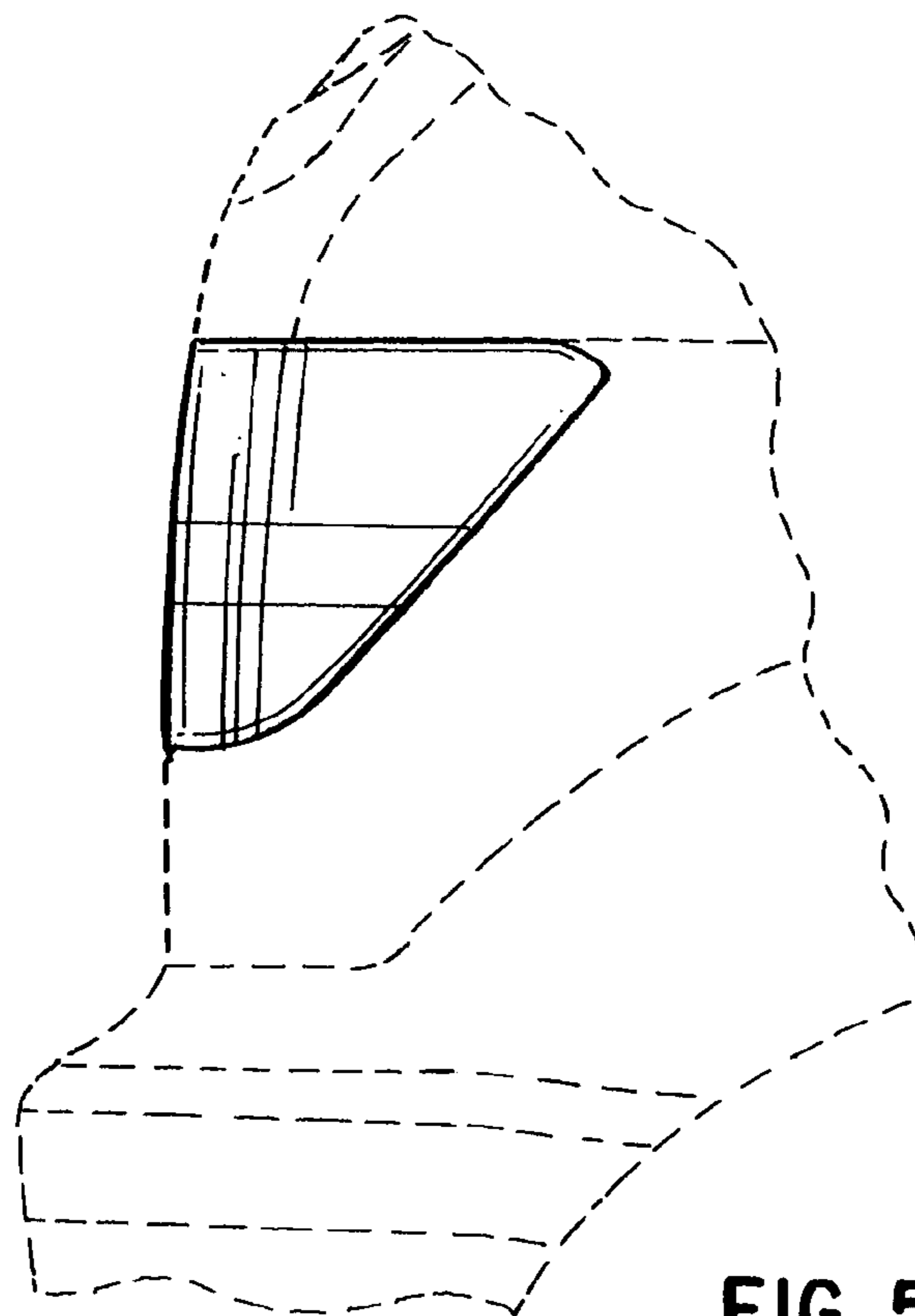


FIG. 5

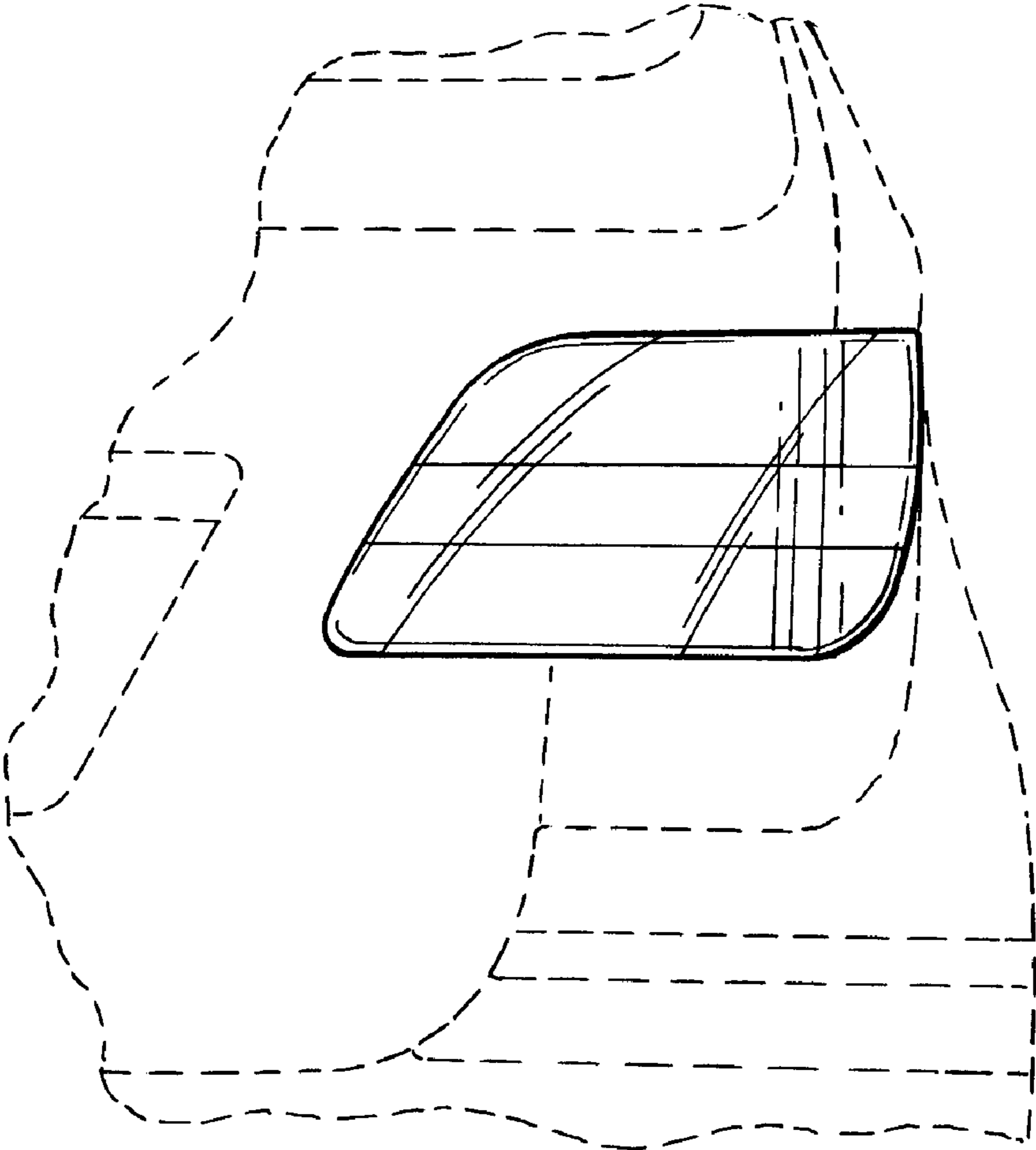


FIG. 6