



US00D553263S

(12) **United States Design Patent**  
**Kim**

(10) **Patent No.:** **US D553,263 S**

(45) **Date of Patent:** **\*\* Oct. 16, 2007**

(54) **PANEL**

(75) Inventor: **Chae-Won Kim**, Seoul (KR)

(73) Assignee: **Hae Kwang Co., Ltd.**,  
Chungcheonbuk-Do (KR)

(\*\*) Term: **14 Years**

(21) Appl. No.: **29/240,623**

(22) Filed: **Oct. 14, 2005**

(30) **Foreign Application Priority Data**

Jul. 20, 2005 (KR) ..... 30-2005-0024395

(51) **LOC (8) Cl.** ..... **25-01**

(52) **U.S. Cl.** ..... **D25/155**

(58) **Field of Classification Search** ..... D25/66,  
D25/68, 69, 152, 153, 155, 156, 138; 182/112,  
182/117, 119, 123, 124, 125, 126, 141, 152,  
182/181, 187; 52/507, 670, 673, 676, 650.3,  
52/633, 651.1, 656.8, 663, 660, 791.1, 793.1,  
52/799.1, 311.1, 311.2, 311.3, 314, 179, 180,  
52/177, 799.12; 428/121, 132, 133, 134,  
428/135

See application file for complete search history.

(56) **References Cited**

**U.S. PATENT DOCUMENTS**

3,094,188 A \* 6/1963 Eustachio ..... 181/293

D224,703 S \* 9/1972 Kiner ..... D25/142  
D286,575 S \* 11/1986 Saunders ..... D25/156  
D406,363 S \* 3/1999 Molnar ..... D25/156  
D495,067 S \* 8/2004 Winig et al. .... D25/155  
D499,189 S \* 11/2004 Collison ..... D25/62

\* cited by examiner

*Primary Examiner*—Doris Clark

(74) *Attorney, Agent, or Firm*—Lee, Hong, Degerman, Kang  
& Schmadeka

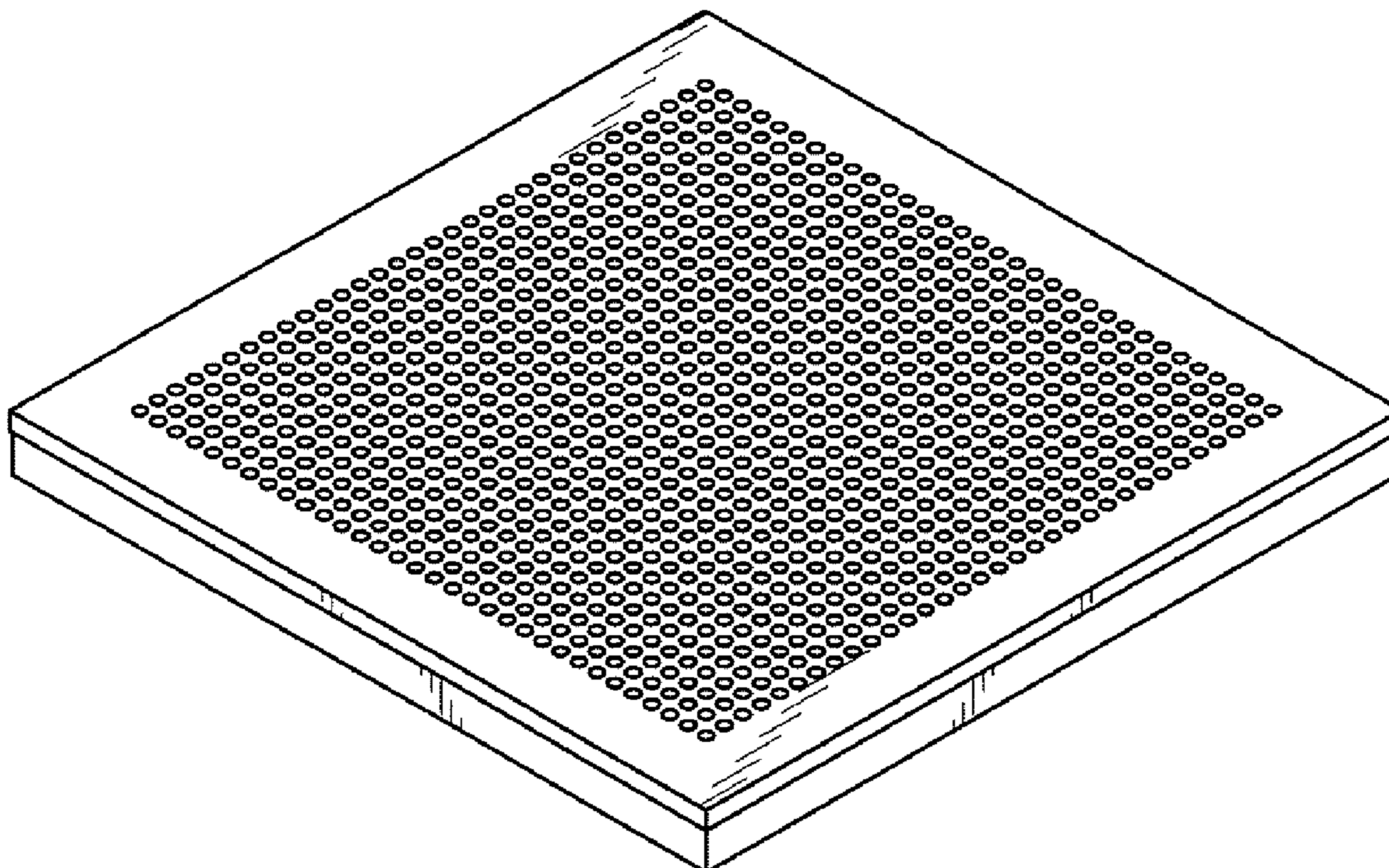
(57) **CLAIM**

The ornamental design for a panel, as shown and described.

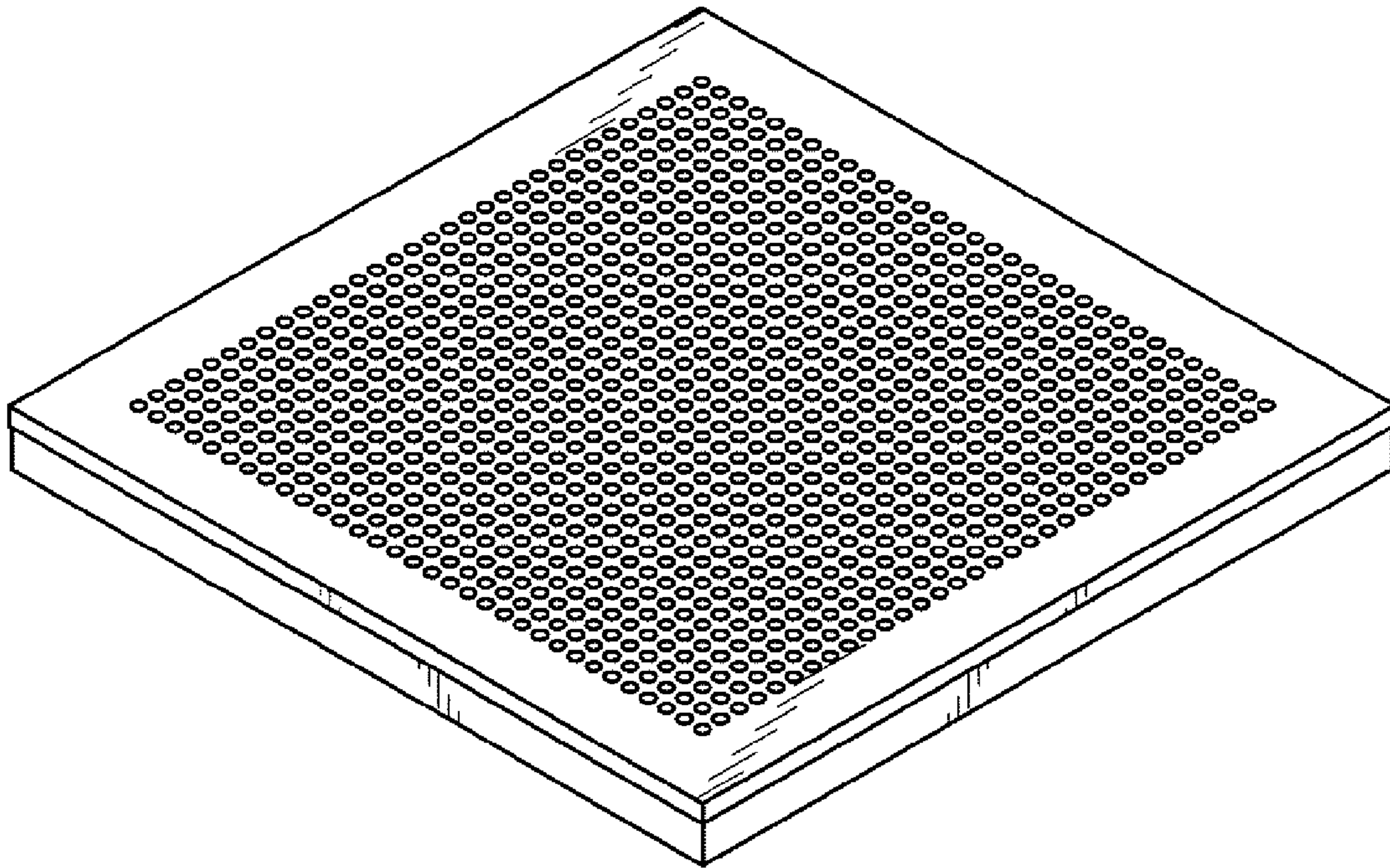
**DESCRIPTION**

FIG. 1 is a front perspective view of a panel;  
FIG. 2 is a top plan view thereof;  
FIG. 3 is a front elevational view thereof;  
FIG. 4 is a left elevational view thereof;  
FIG. 5 is a right elevational view thereof;  
FIG. 6 is a rear elevational view thereof; and,  
FIG. 7 is a bottom plan view thereof.

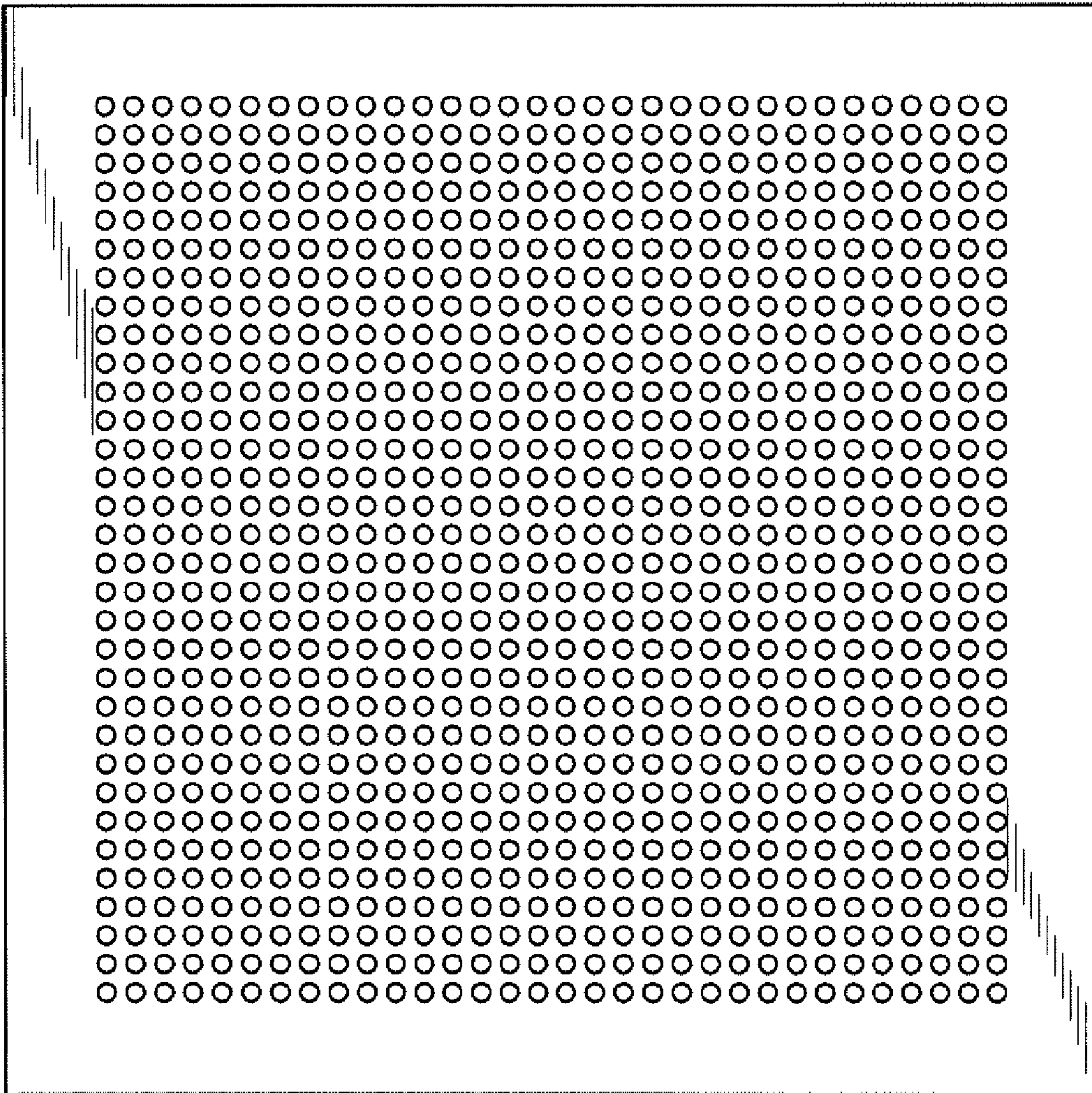
**1 Claim, 4 Drawing Sheets**



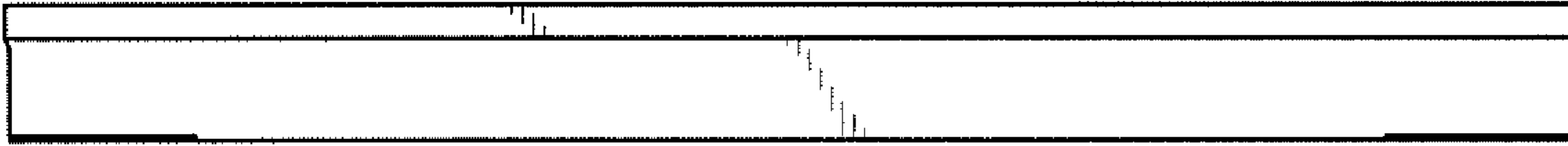
*FIG. 1*



*FIG. 2*



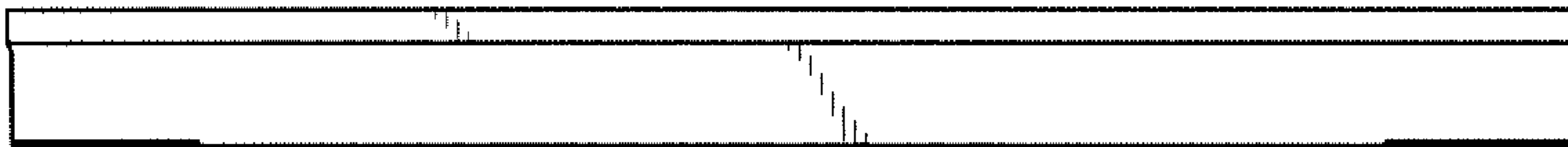
**FIG. 3**



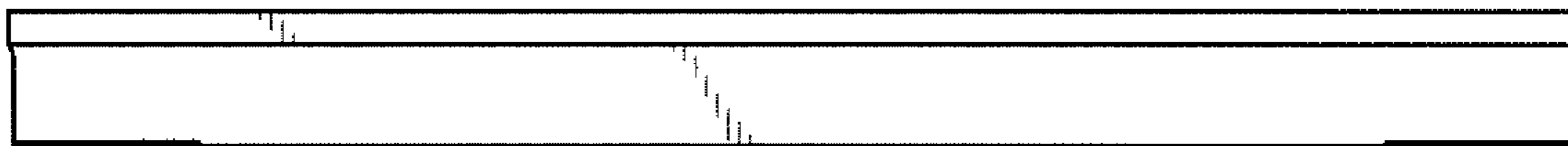
**FIG. 4**



**FIG. 5**



**FIG. 6**



*FIG. 7*

