



US00D553252S

(12) **United States Design Patent**
Masuda

(10) **Patent No.:** **US D553,252 S**

(45) **Date of Patent:** **** Oct. 16, 2007**

(54) **COMBINED COSMETIC DEVICE AND VIBRATOR**

(76) Inventor: **Masatoshi Masuda**, 2, 9-banchi, Takada-Cho, Saiin, Ukyo-ku, Kyoto-city, Kyoto 615-0031 (JP)

(**) Term: **14 Years**

(21) Appl. No.: **29/257,489**

(22) Filed: **Apr. 5, 2006**

Related U.S. Application Data

(63) Continuation-in-part of application No. 29/215,266, filed on Oct. 15, 2004, now Pat. No. Des. 526,417.

(51) **LOC (8) Cl.** **28-03**

(52) **U.S. Cl.** **D24/214; D24/215**

(58) **Field of Classification Search** D24/200, D24/214, 215, 107, 108, 146, 147; D28/9; 606/131; 601/6, 93, 15, 78, 94; 604/315
See application file for complete search history.

(56) **References Cited**

U.S. PATENT DOCUMENTS

3,906,940 A	9/1975	Kawada	
D298,775 S	11/1988	Lee	
D323,034 S	1/1992	Reinstein	
D329,291 S	9/1992	Wollman	
D407,498 S	3/1999	Cooper	
D414,582 S	9/1999	Hwang	
D425,241 S	5/2000	Nishizawa et al.	
D430,938 S	9/2000	Lee	
D448,852 S	10/2001	Englen	
D481,463 S *	10/2003	Cook et al.	D24/200
6,652,888 B2	11/2003	Rhoades	

D490,528 S *	5/2004	Cook et al.	D24/200
6,730,050 B2	5/2004	Huang	
D510,158 S	9/2005	Cheung	
D526,417 S *	8/2006	Masuda	D24/214

OTHER PUBLICATIONS

U.S. Appl. No. 29/215,293, filed Oct. 15, 2004, Masatoshi Masuda.

* cited by examiner

Primary Examiner—Ian Simmons

Assistant Examiner—Melanie Levy

(74) *Attorney, Agent, or Firm*—Knobbe, Martens, Olson & Bear LLP

(57) **CLAIM**

The ornamental design for a combined cosmetic device and vibrator, as shown and described.

DESCRIPTION

FIG. 1 is a front view of a combined cosmetic device and vibrator as shown and described;

FIG. 2 is a rear view thereof;

FIG. 3 is a right side view thereof;

FIG. 4 is a left side view thereof;

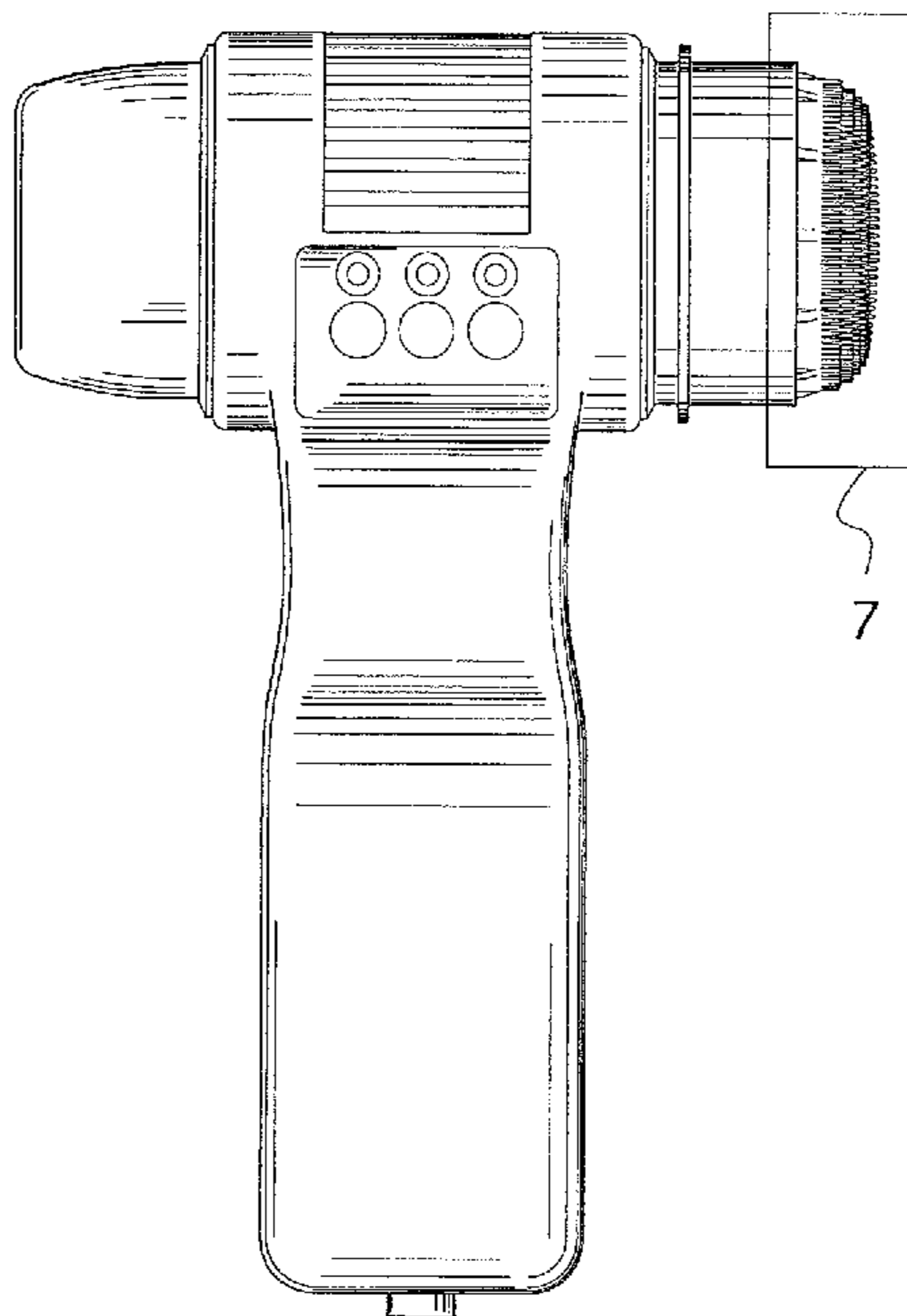
FIG. 5 is a top plan view thereof;

FIG. 6 is a bottom plan view thereof;

FIG. 7 is an enlarged fragmentary front view within the rectangle of 7, in FIG. 1 showing the vibrator portion of the design thereof; and,

FIG. 8 is an enlarged fragmentary right side view thereof within the square of 8, in FIG. 3 showing the vibrator portion of the design.

1 Claim, 8 Drawing Sheets



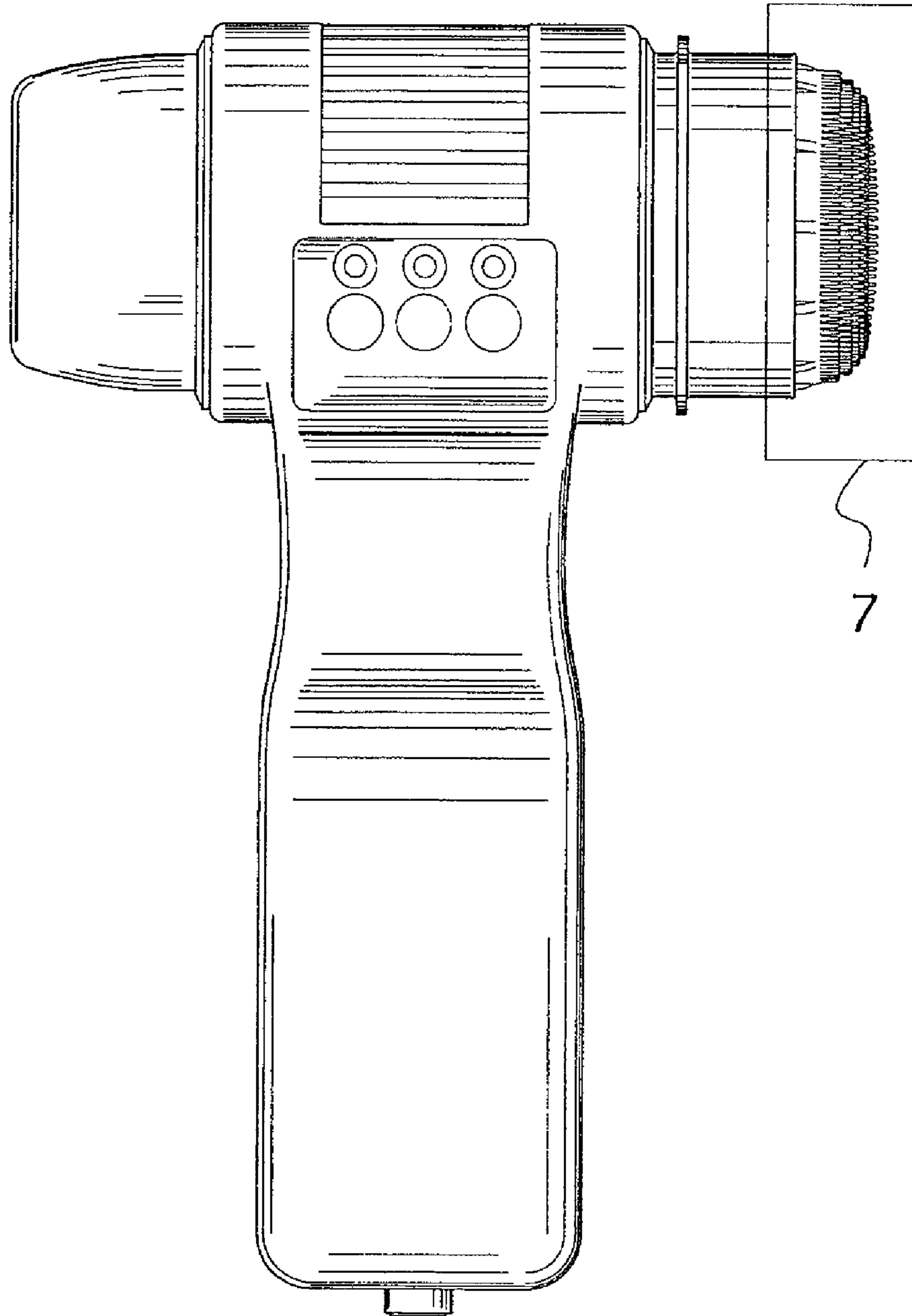


Fig. 1

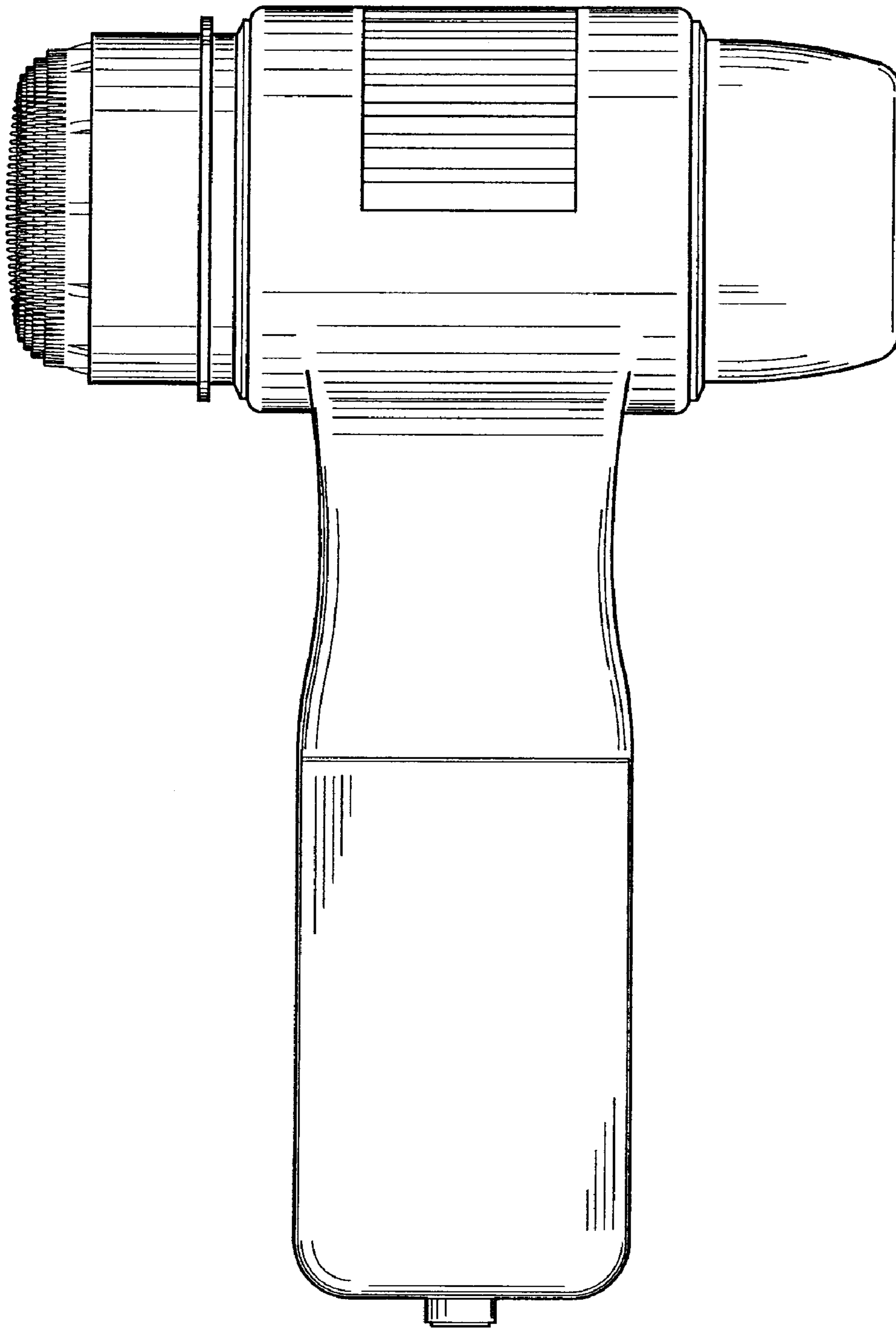


Fig.2

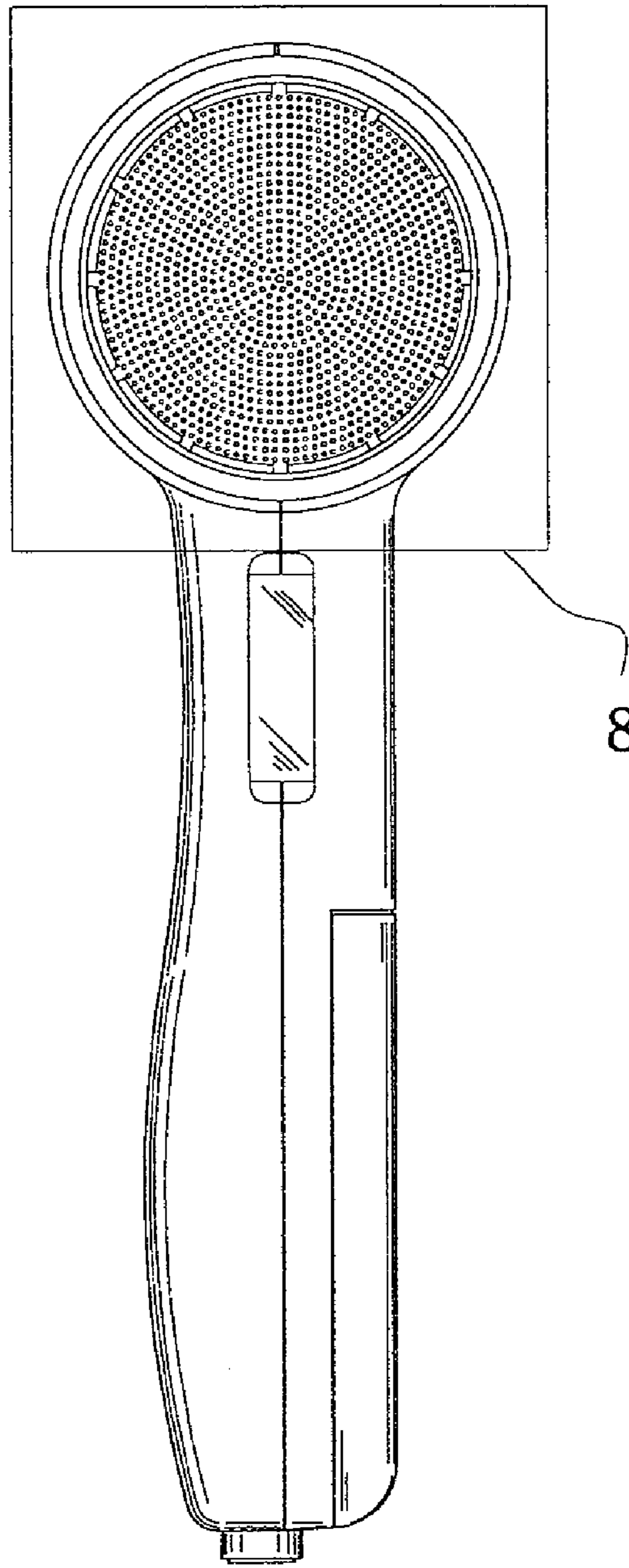


Fig.3

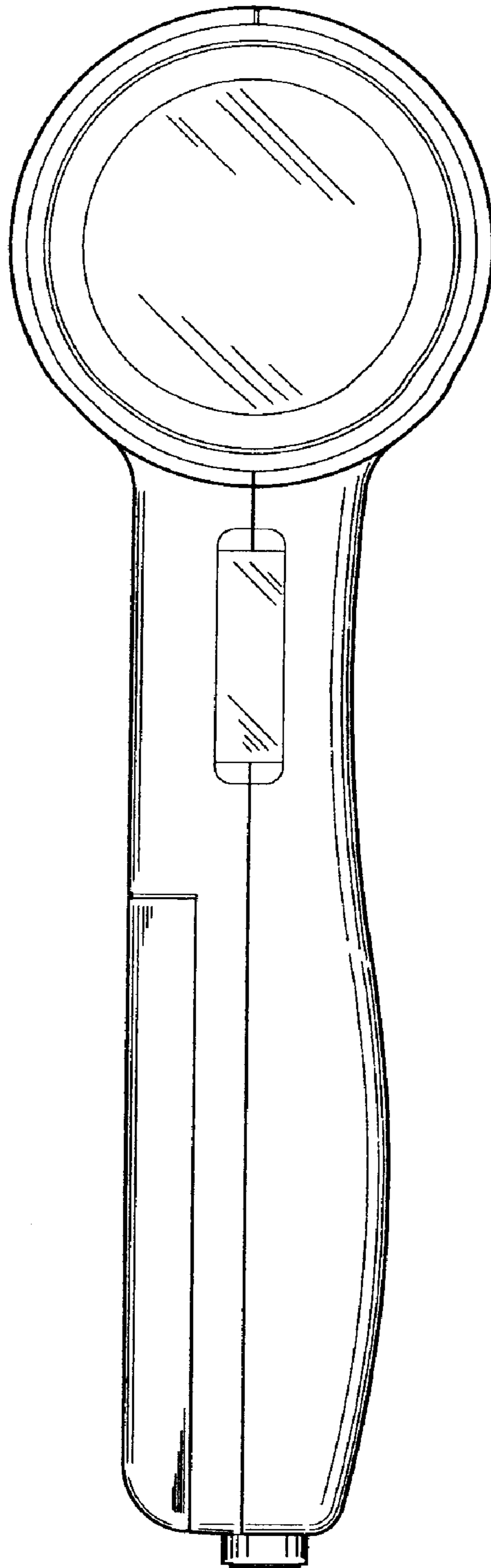


Fig.4

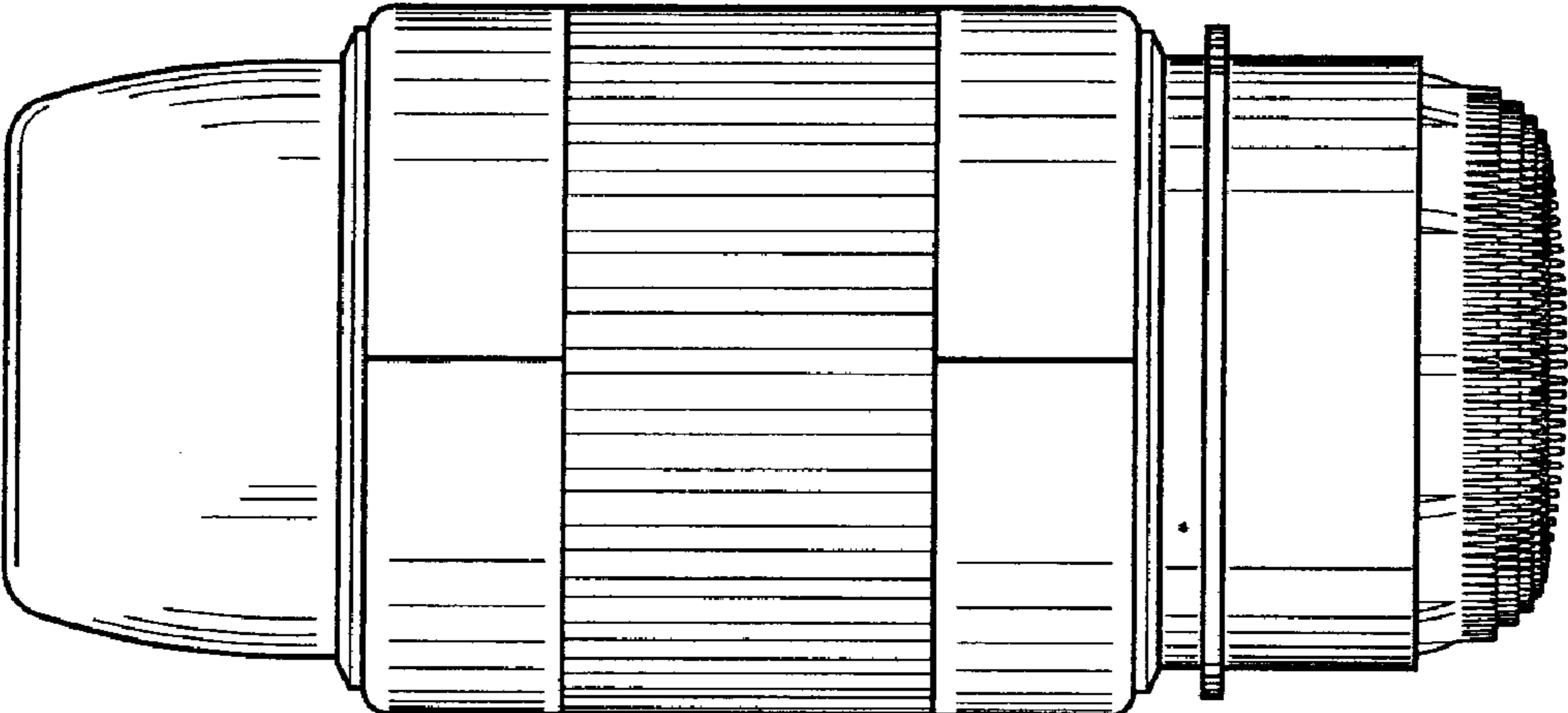


Fig.5

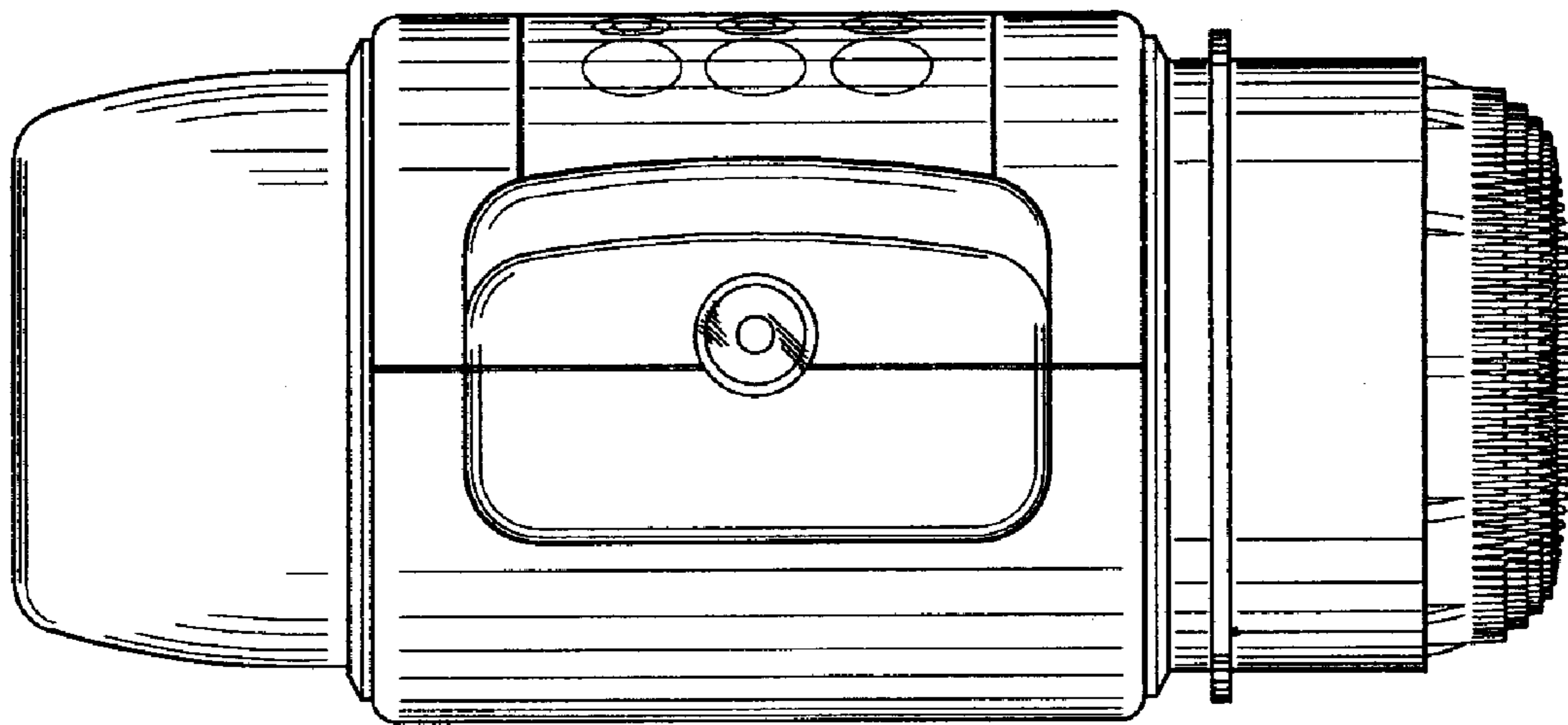


Fig.6

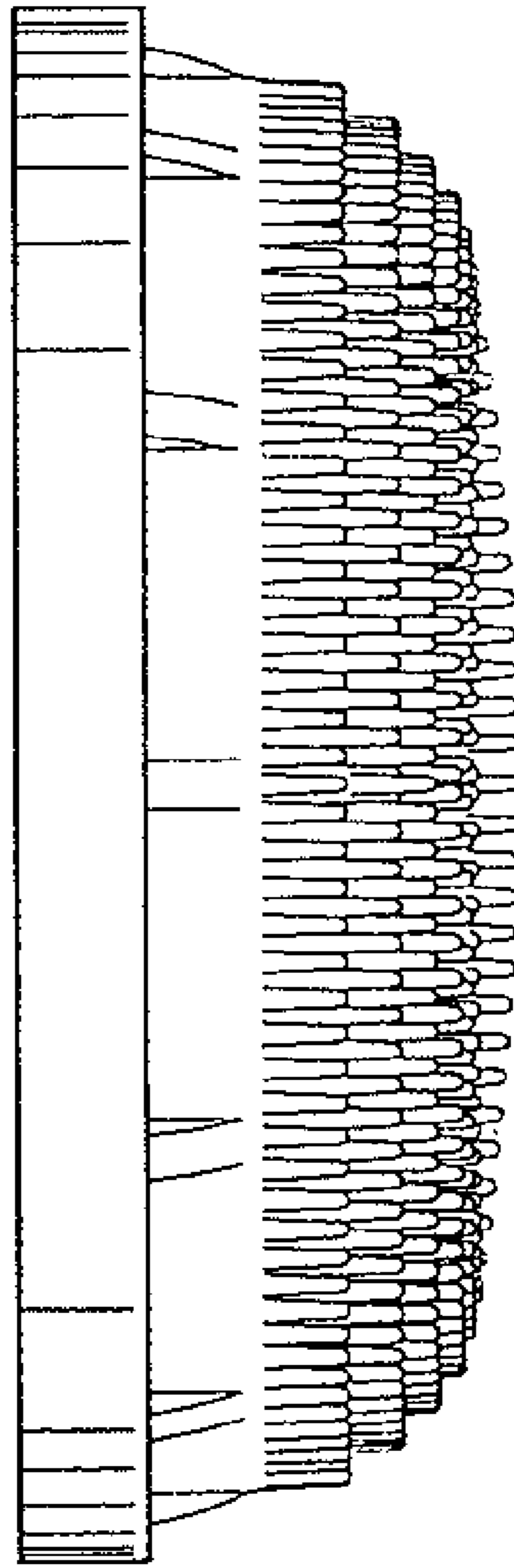


Fig. 7

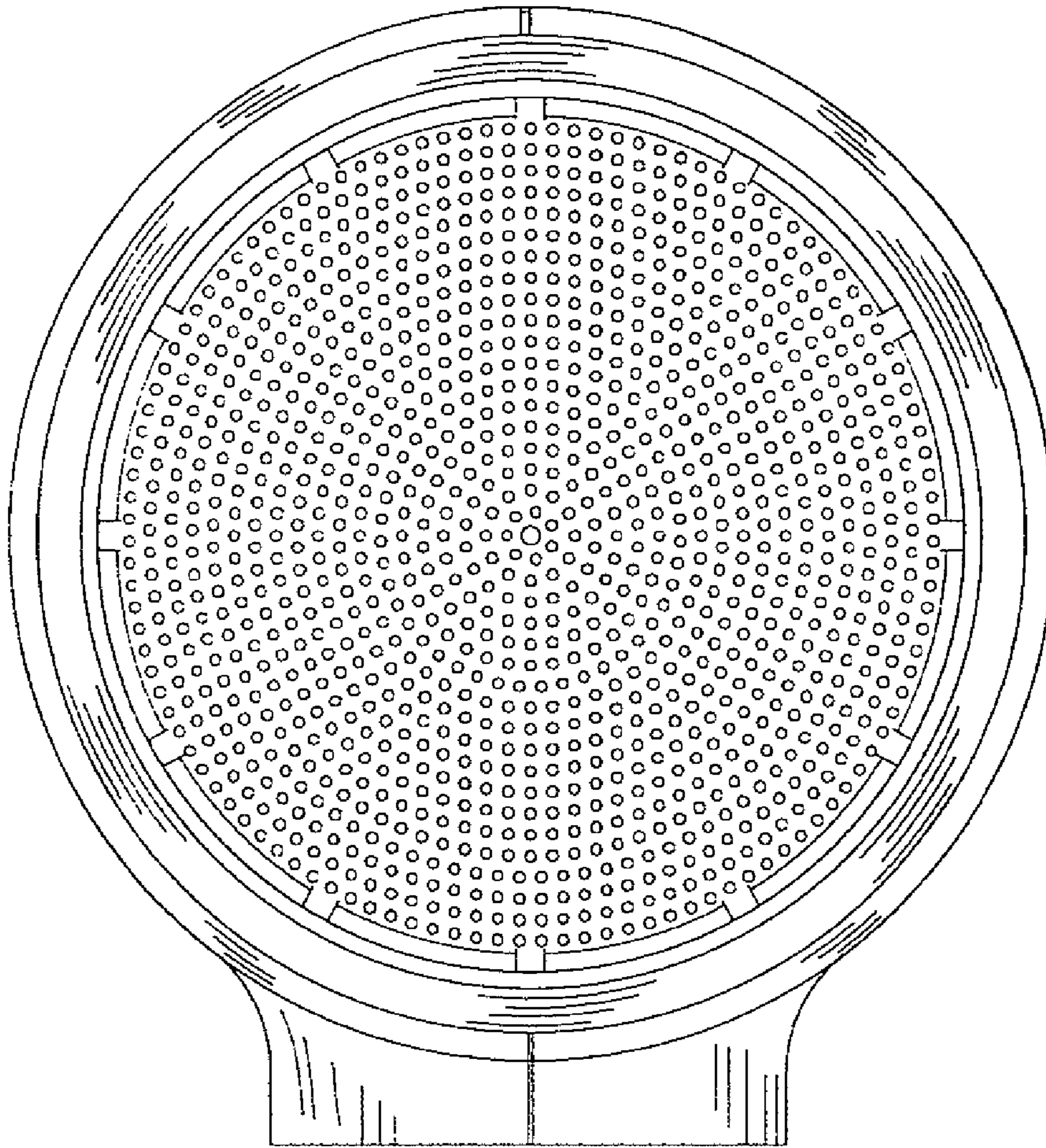


Fig.8