

US00D553239S

(12) **United States Design Patent** (10) **Patent No.:** **US D553,239 S**
Wang (45) **Date of Patent:** **** Oct. 16, 2007**

(54) **CEILING FAN HOUSING**

(75) Inventor: **Cliff Wang**, Taichung (TW)

(73) Assignee: **Air Cool Industrial Co. Ltd.**, Taichung (TW)

(**) Term: **14 Years**

(21) Appl. No.: **29/224,583**

(22) Filed: **Mar. 3, 2005**

(51) **LOC (8) Cl.** **24-03**

(52) **U.S. Cl.** **D23/411; D23/411**

(58) **Field of Classification Search** **D23/377, D23/379, 385, 411; 416/5**

See application file for complete search history.

(56) **References Cited**

U.S. PATENT DOCUMENTS

D434,133 S * 11/2000 Johnson D23/377
D499,479 S * 12/2004 Thomas, Jr. D23/411

* cited by examiner

Primary Examiner—Lisa Lichtenstein
(74) *Attorney, Agent, or Firm*—Parsons & Goltry; Michael W. Goltry; Robert A. Parsons

(57) **CLAIM**

The ornamental design for a ceiling fan housing, as shown and described.

DESCRIPTION

FIG. 1 is a bottom perspective view of a ceiling fan housing showing my new design;

FIG. 2 is a top perspective view thereof;

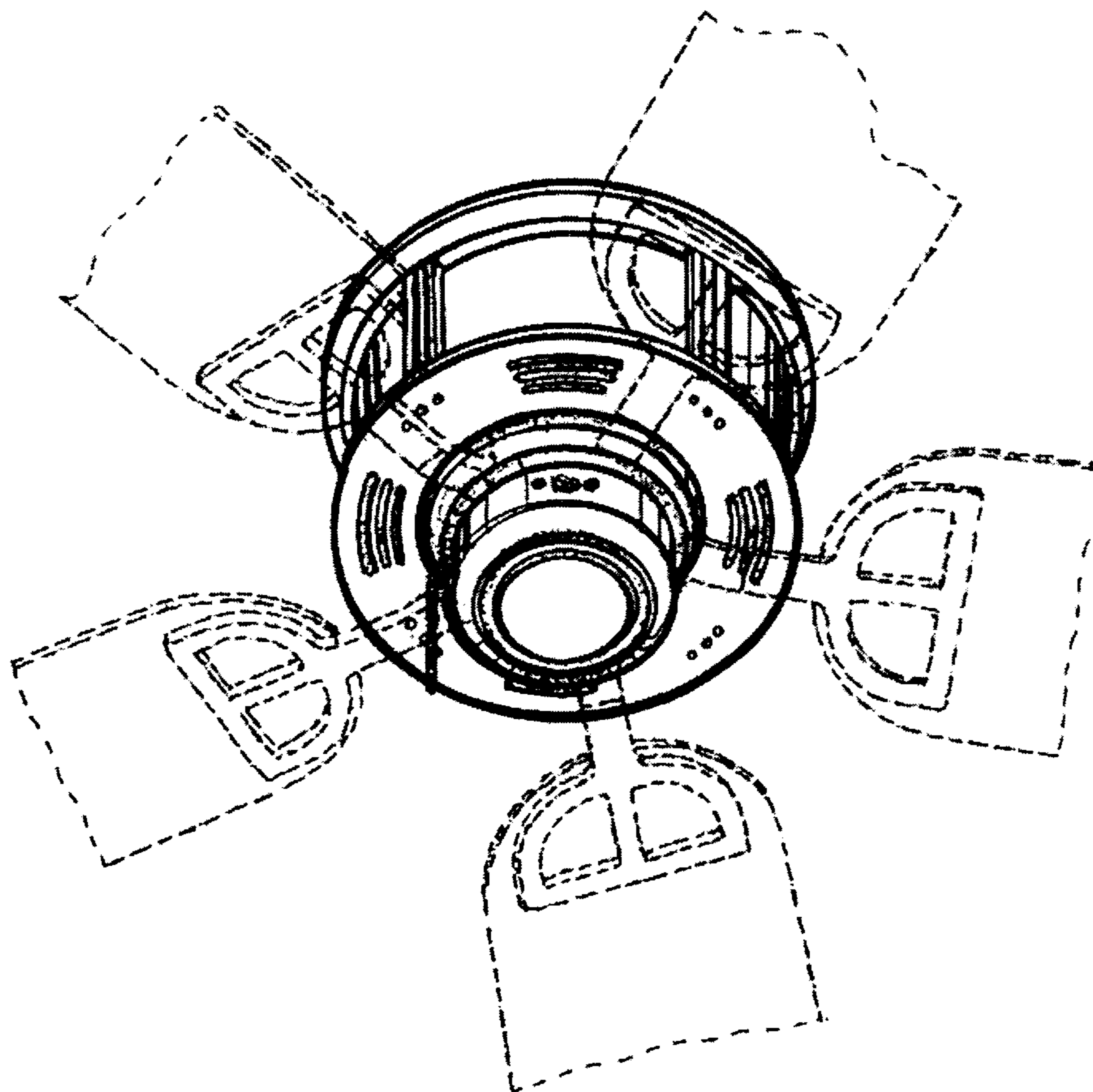
FIG. 3 is a front elevational view thereof, the rear elevational view, the left side elevational view, and the right side elevational view being substantially the same thereof;

FIG. 4 is a top plan view thereof; and,

FIG. 5 is a bottom plan view thereof.

The broken lines in the views show environmental features, which are for illustrative purposes only and form no part of the claimed design.

1 Claim, 4 Drawing Sheets



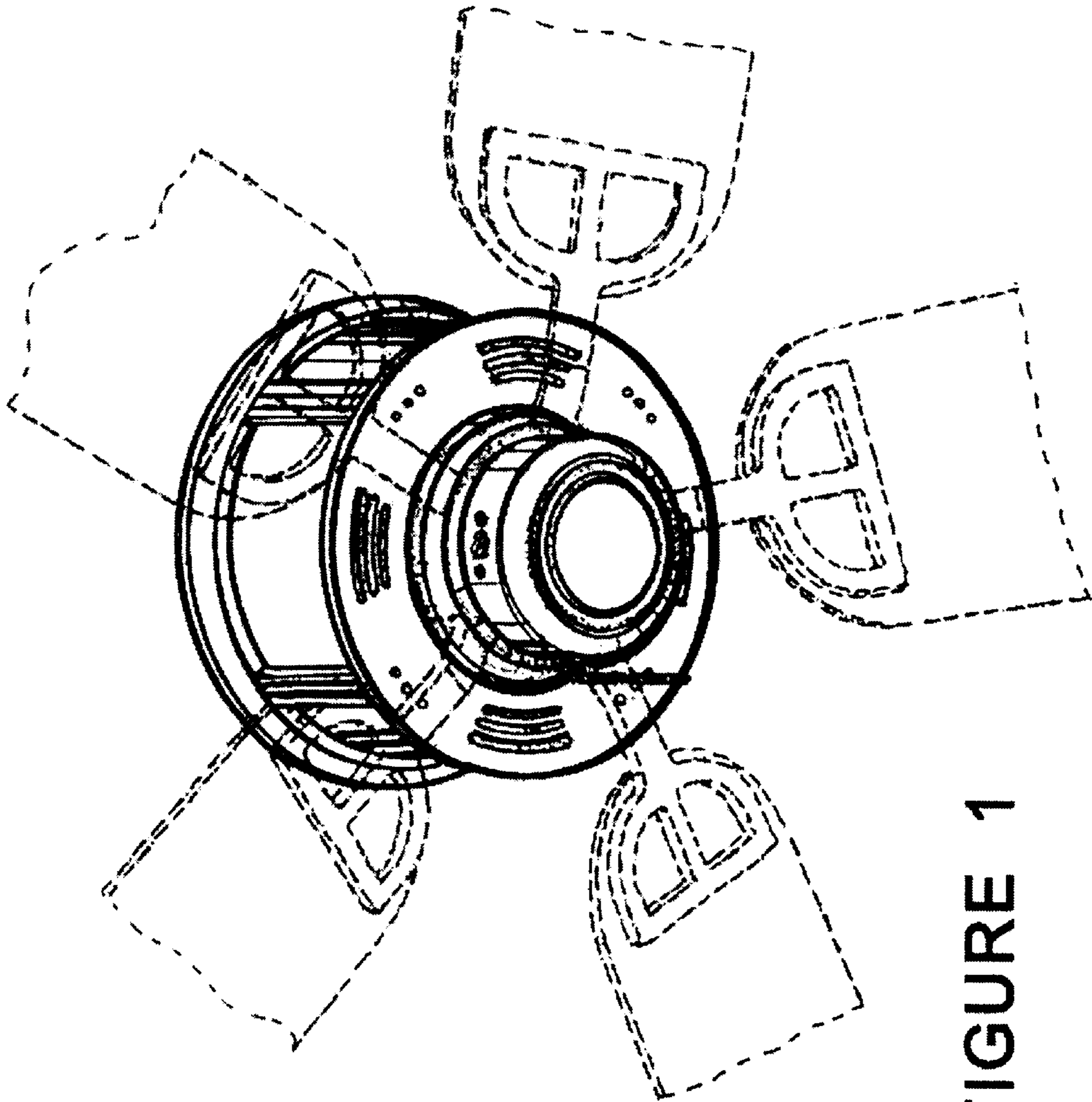


FIGURE 1

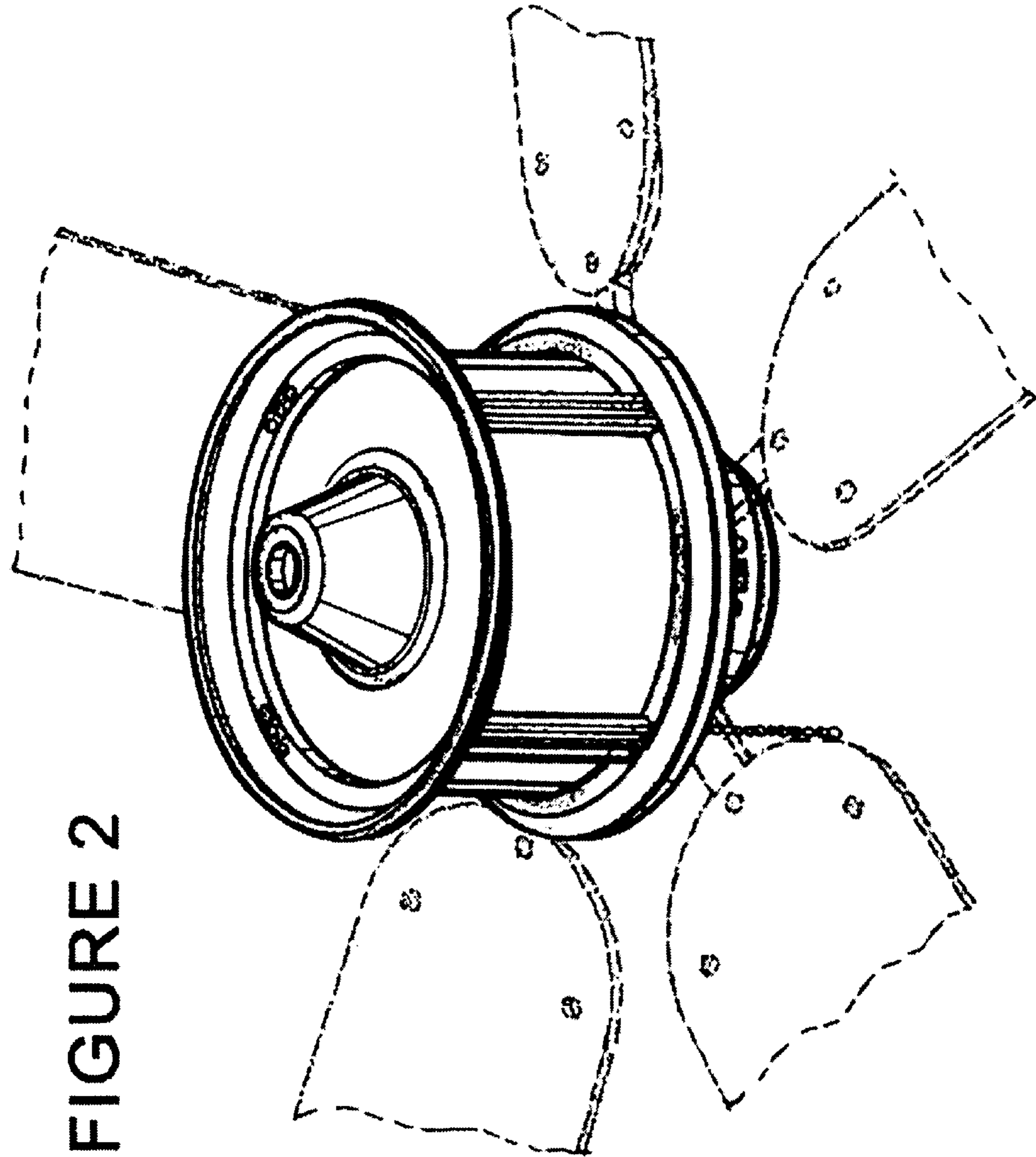


FIGURE 2

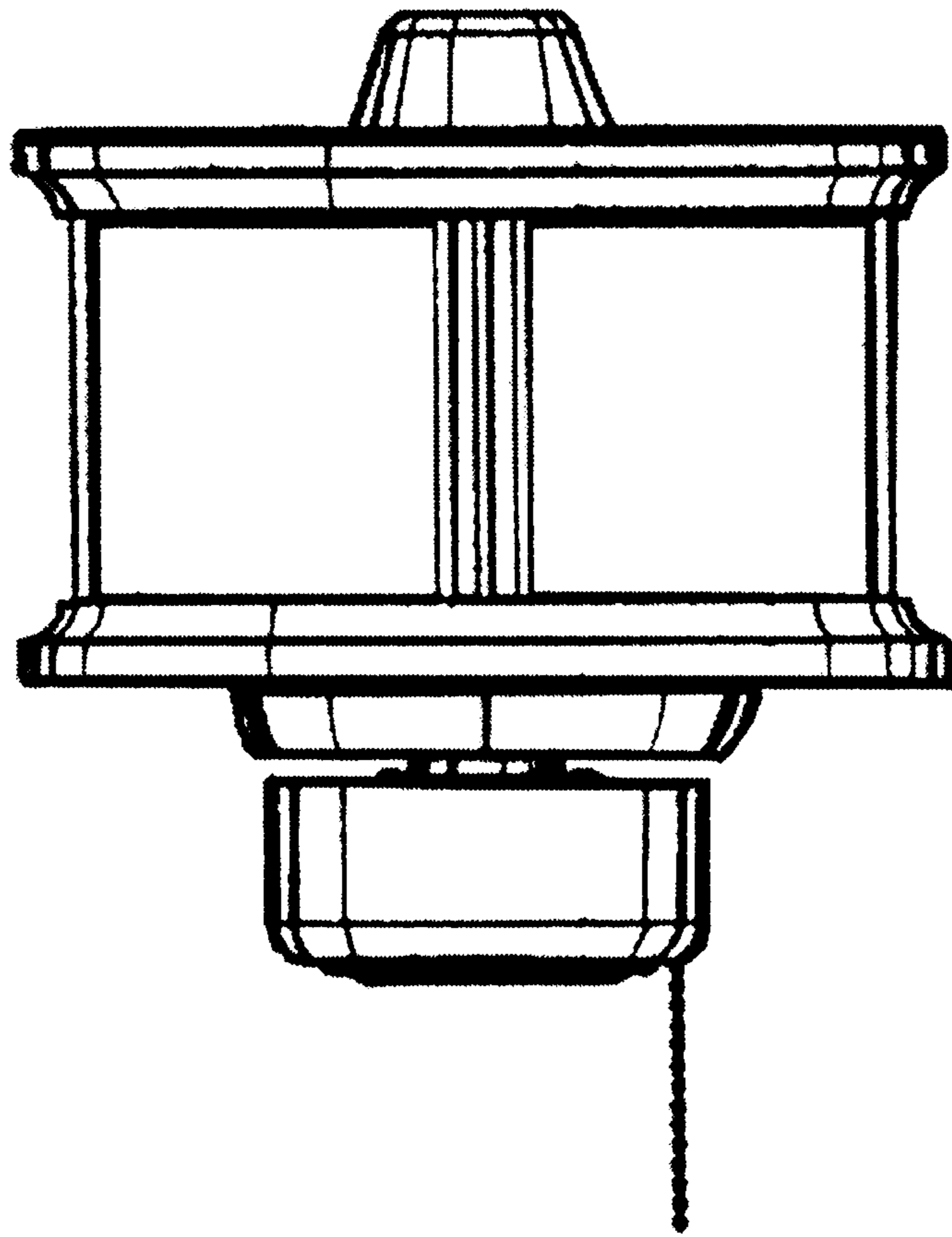


FIGURE 3

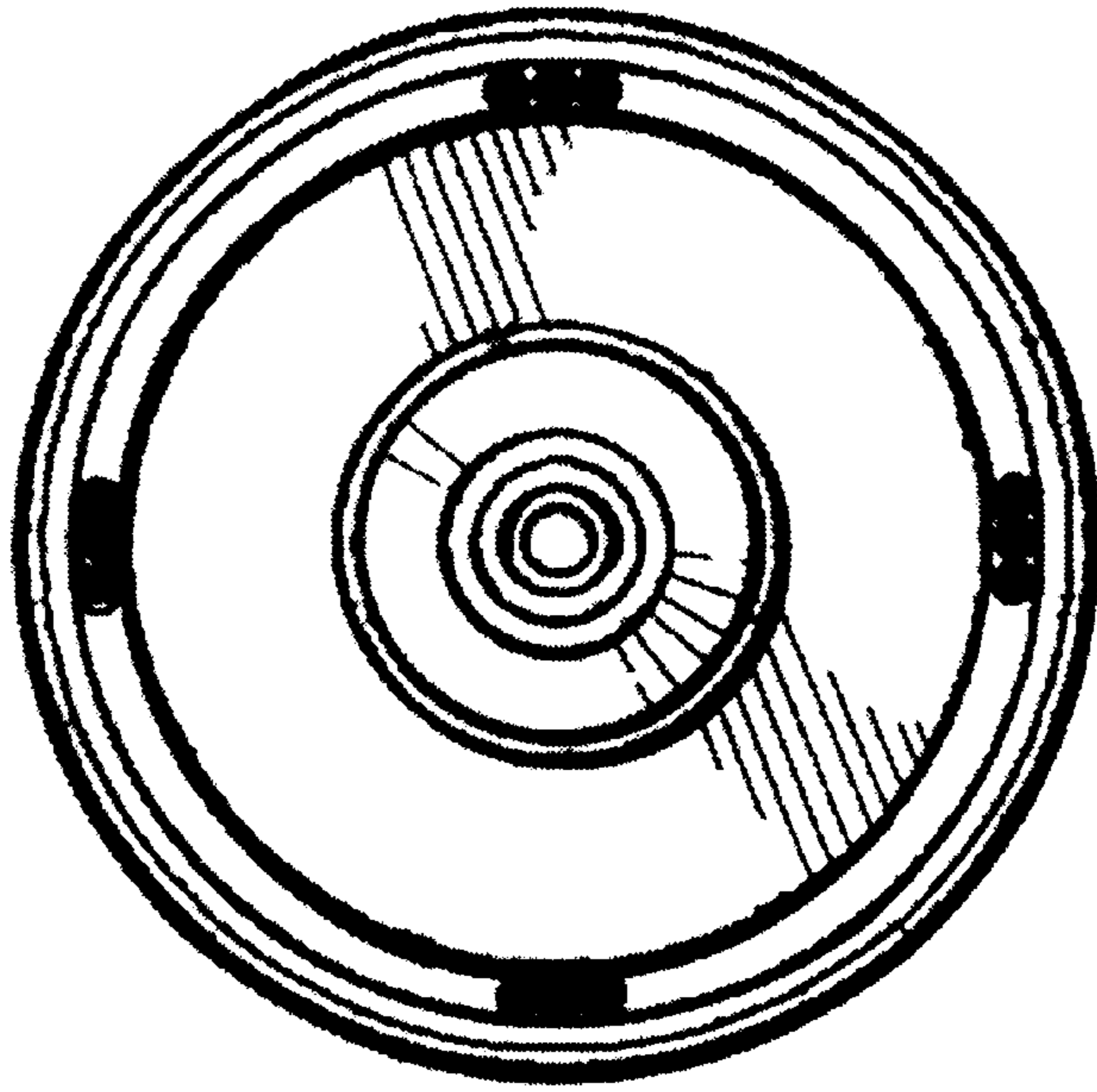


FIGURE 4

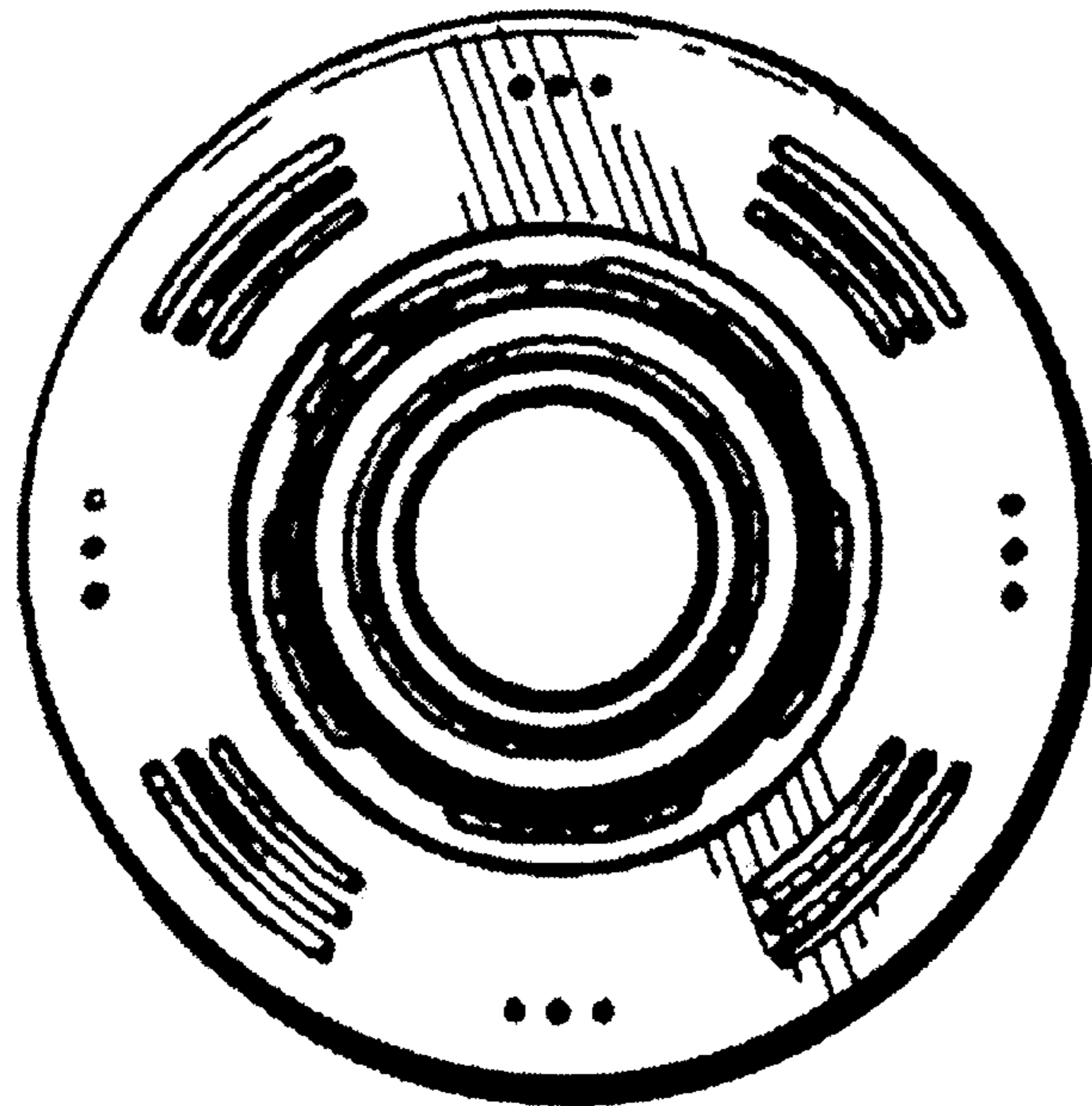


FIGURE 5