



US00D553238S

(12) **United States Design Patent**  
**Haggkvist**

(10) **Patent No.:** **US D553,238 S**

(45) **Date of Patent:** **\*\* Oct. 16, 2007**

(54) **DUCT SEAL**

(75) Inventor: **Alf Haggkvist**, Varnamo (SE)

(73) Assignee: **Eastern Sheet Metal**, Cincinnati, OH  
(US)

(\*\*) Term: **14 Years**

(21) Appl. No.: **29/259,224**

(22) Filed: **May 4, 2006**

(51) **LOC (8) Cl.** ..... **23-04**

(52) **U.S. Cl.** ..... **D23/386**

(58) **Field of Classification Search** ..... D23/386,  
D23/393, 269, 352, 206, 259, 266, 262; 138/149,  
138/164, 143, 177; 285/123.12, 109, 110,  
285/80, 10, 192, 114, 370; 454/243, 270,  
454/233; 4/541.6; 126/82, 312; 277/606,  
277/602; 428/36.9; 2/427; 29/450

See application file for complete search history.

(56) **References Cited**

**U.S. PATENT DOCUMENTS**

3,955,834	A *	5/1976	Ahlrot	285/110
4,007,941	A *	2/1977	Stancati	277/606
D256,046	S *	7/1980	Perrin	D23/269
D256,499	S *	8/1980	Foreman	D23/269
4,291,905	A *	9/1981	Schrock	285/192
D273,702	S *	5/1984	Widerby et al.	D23/393
4,645,244	A *	2/1987	Curtis	285/114
4,653,124	A *	3/1987	McNeal et al.	2/427
D322,120	S *	12/1991	du Gay	D23/269
5,599,600	A *	2/1997	Rau	428/36.9
D379,493	S *	5/1997	Woods	D23/269
D427,667	S *	7/2000	Stout, Jr.	D23/262
D427,668	S	7/2000	Stout, Jr.	
D427,673	S	7/2000	Stout, Jr.	
D430,482	S	9/2000	Stout, Jr.	
D435,090	S	12/2000	Stout, Jr.	

D437,034	S	1/2001	Stout, Jr.	
6,279,967	B1 *	8/2001	Proctor et al.	285/340
D475,130	S	5/2003	Stout, Jr.	
D475,447	S	6/2003	Stout, Jr.	
D475,448	S	6/2003	Stout, Jr.	
D475,449	S	6/2003	Stout, Jr.	
D475,778	S	6/2003	Stout, Jr.	
D475,779	S	6/2003	Stout, Jr.	
D475,780	S	6/2003	Stout, Jr.	

(Continued)

*Primary Examiner*—Louis Zarfaz

*Assistant Examiner*—David Muller

(74) *Attorney, Agent, or Firm*—Dinsmore & Shohl LLP

(57) **CLAIM**

The ornamental design for a duct seal, as shown and described.

**DESCRIPTION**

FIG. 1 is a front perspective view of a duct seal according to an embodiment of the present design;

FIG. 2 is a side view of the duct seal of FIG. 1, other side views being identical due to the axisymmetric construction of the duct seal;

FIG. 3 is a front view of the duct seal of FIG. 1;

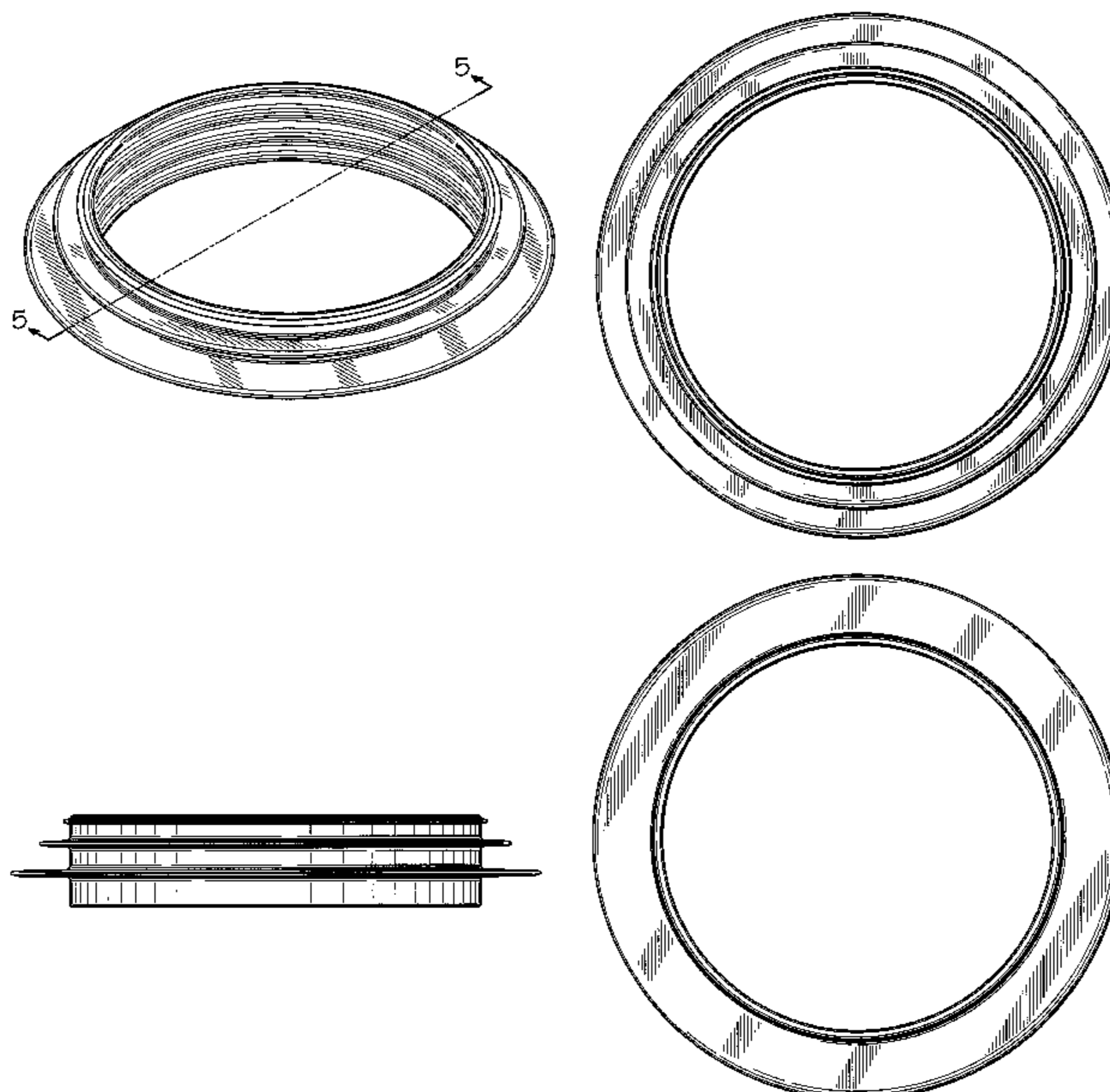
FIG. 4 is a rear view of the duct seal of FIG. 1;

FIG. 5 is a side cutaway view along the lines 5—5 of the duct seal of FIG. 1; and,

FIG. 6 is a detail of the side cutaway view of FIG. 5, showing the duct seal placed around a portion of a notional duct.

The broken line showing portions of a duct in FIG. 6 is for illustrative purposes only and forms no part of the claimed design.

**1 Claim, 4 Drawing Sheets**



# US D553,238 S

Page 2

---

## U.S. PATENT DOCUMENTS

D476,074 S	6/2003	Stout, Jr.	D501,548 S	2/2005	Stout, Jr.	
D478,978 S	8/2003	Stout, Jr.	D513,072 S *	12/2005	Berg .....	D23/386
D480,132 S	9/2003	Stout, Jr.	D521,632 S	5/2006	Stout, Jr.	
D488,217 S	4/2004	Stout, Jr.	D521,633 S	5/2006	Stout, Jr.	
D488,858 S	4/2004	Stout, Jr.	D523,131 S	6/2006	Stout, Jr.	
D488,859 S	4/2004	Stout, Jr.	D524,436 S	7/2006	Stout, Jr.	
D489,806 S	5/2004	Stout, Jr.	2004/0250403 A1 *	12/2004	Issagholian-Havai .....	29/450
D492,024 S	6/2004	Stout, Jr.	2006/0006610 A1 *	1/2006	Graham .....	277/602
D492,025 S	6/2004	Stout, Jr.	2006/0214423 A1 *	9/2006	Sandman et al. ....	285/370
6,758,502 B2	7/2004	Mattsson et al.	2006/0253971 A1 *	11/2006	Colin et al. ....	4/541.6
D501,547 S	2/2005	Stout, Jr.				

\* cited by examiner

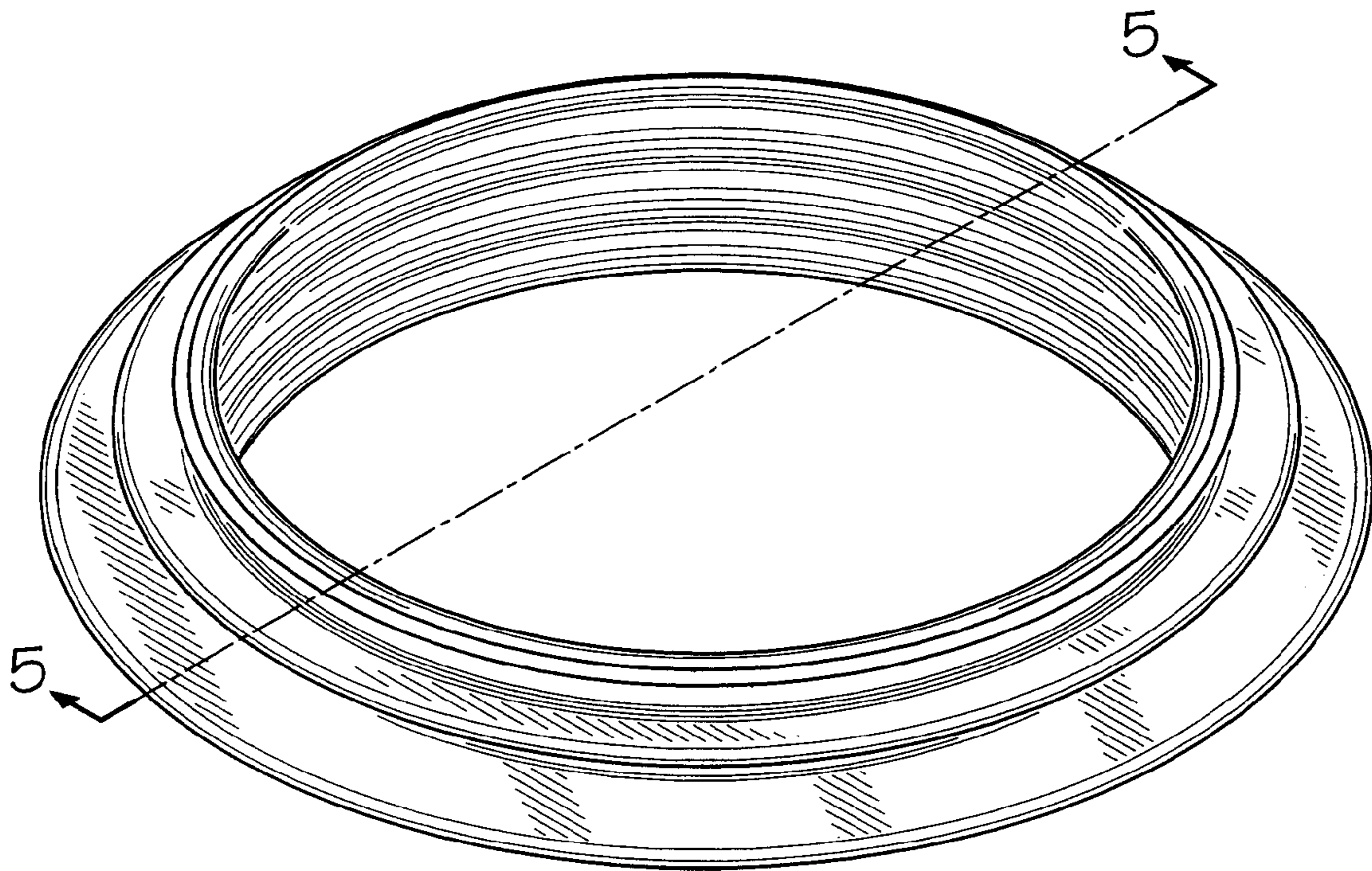


FIG. 1

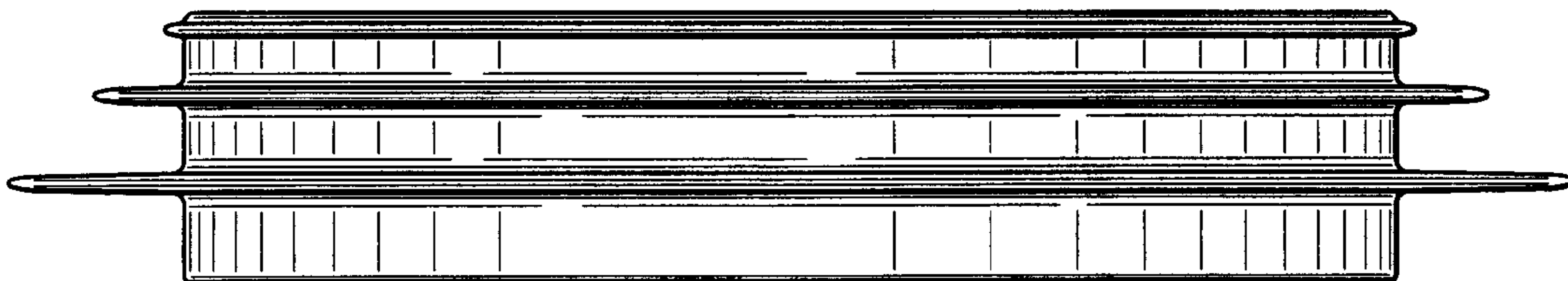


FIG. 2



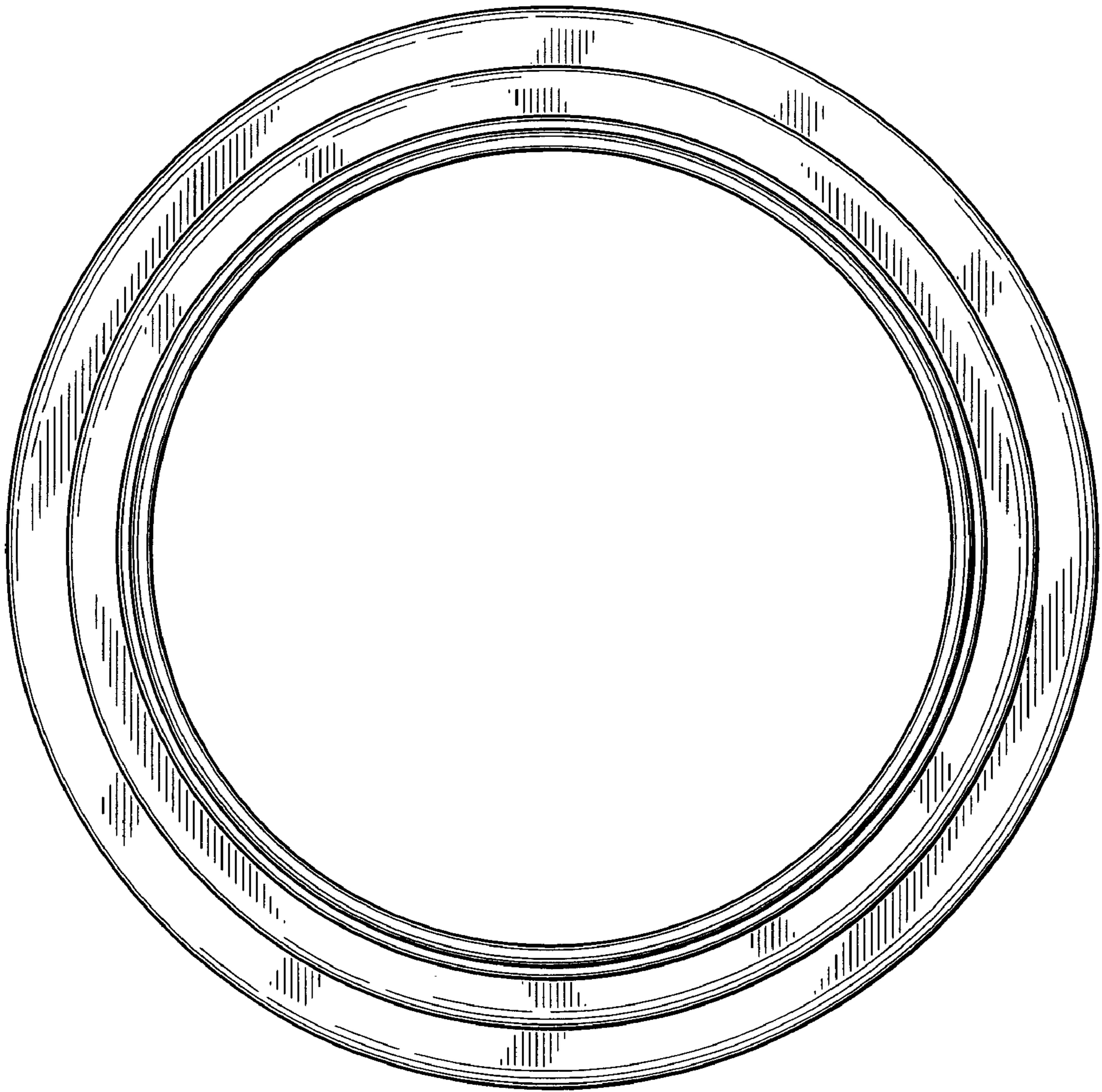


FIG. 3

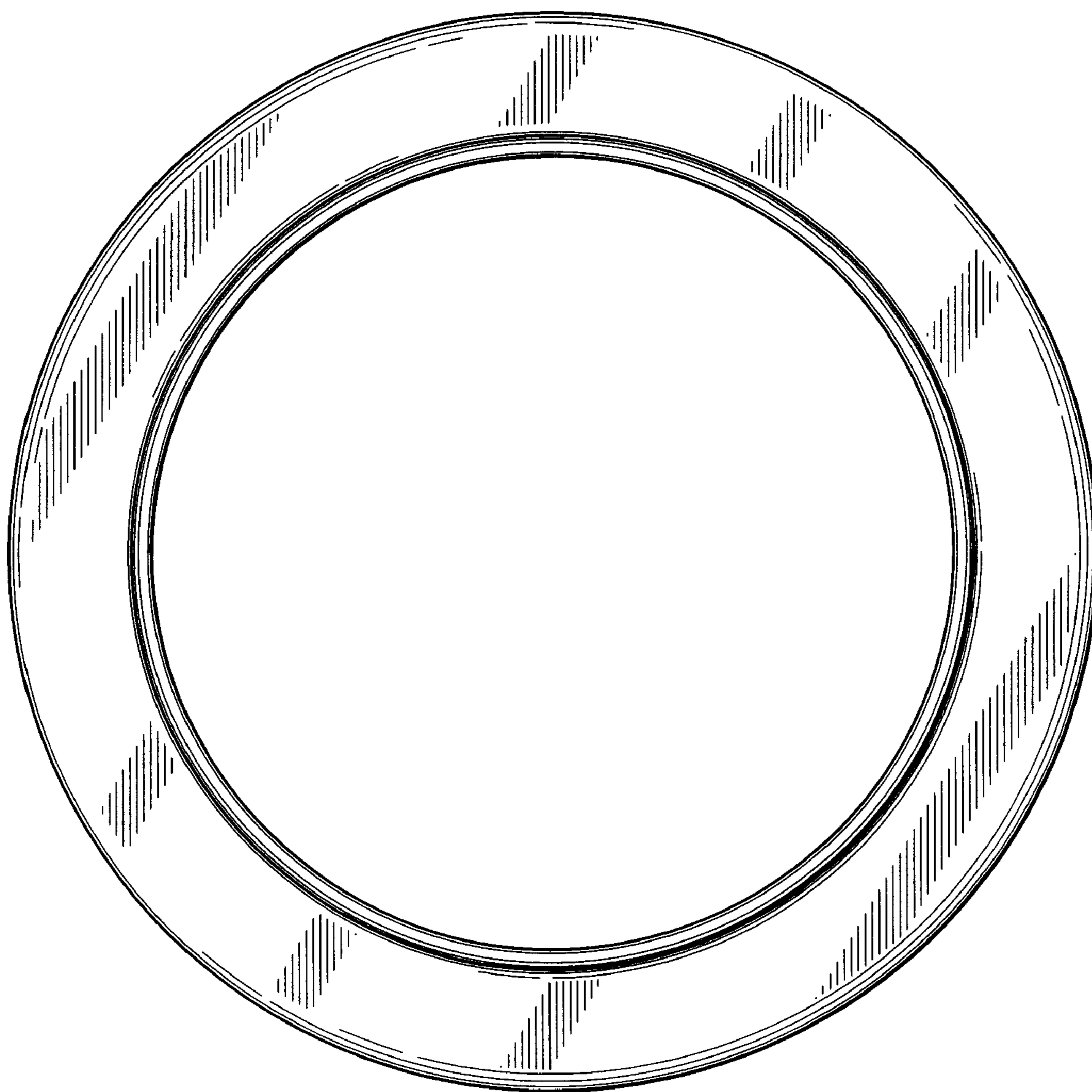


FIG. 4

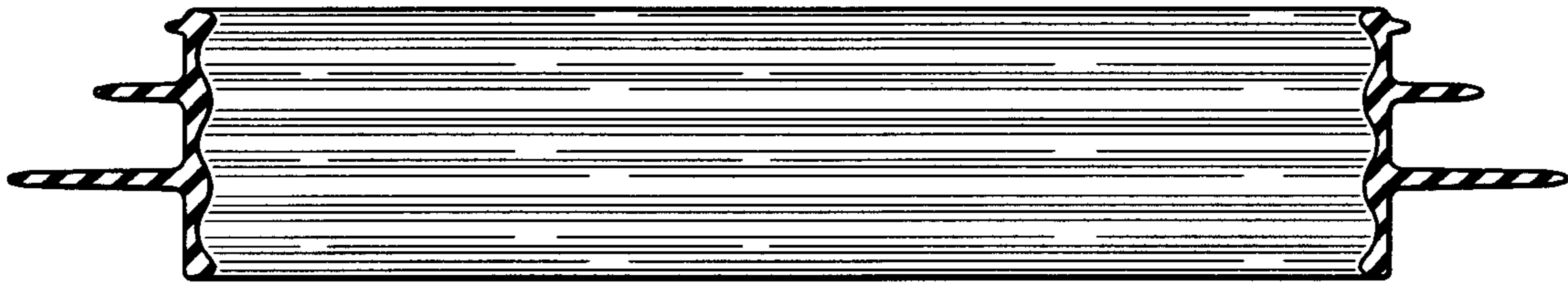


FIG. 5

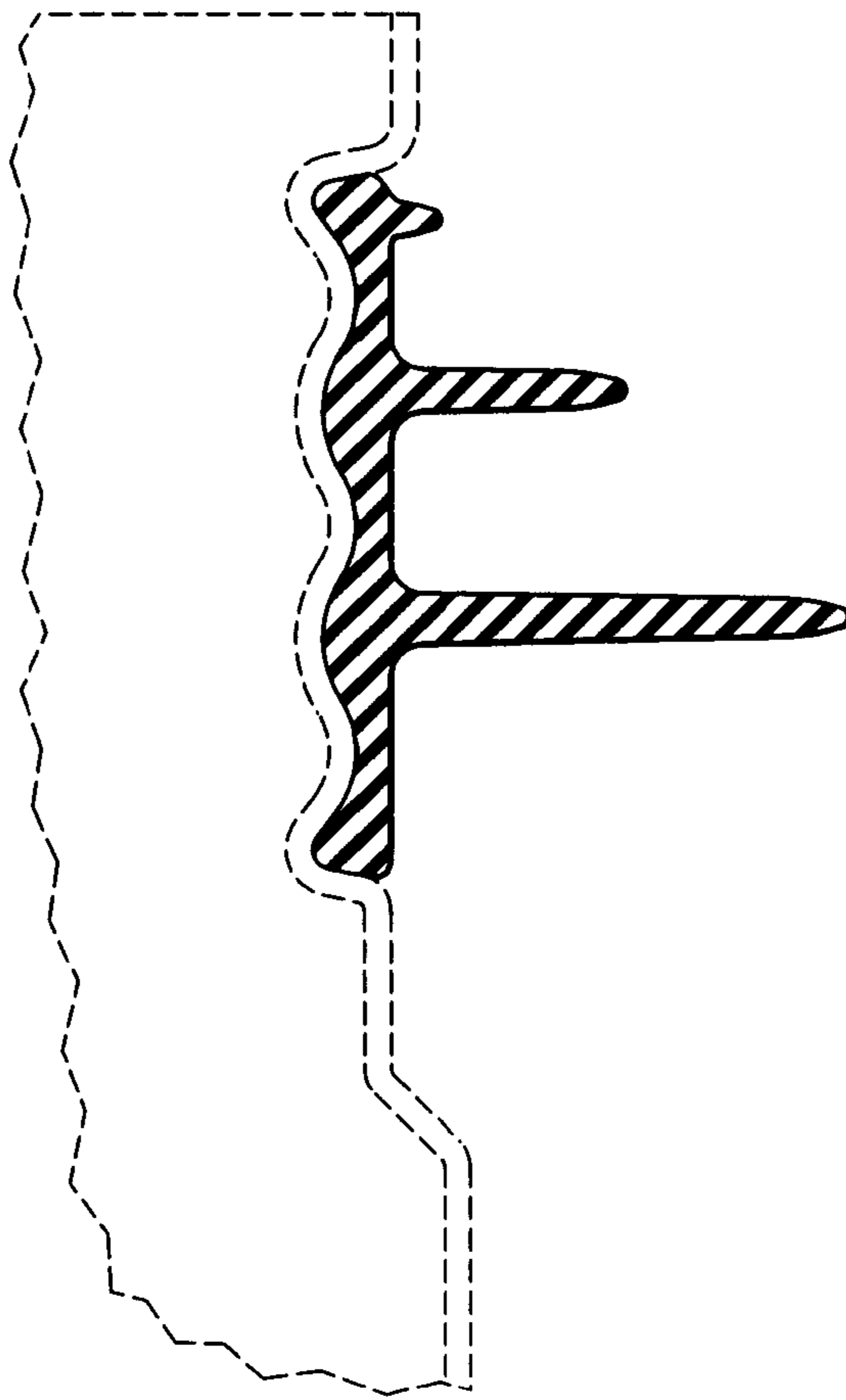


FIG. 6