



US00D553237S

(12) **United States Design Patent**
Herbst et al.

(10) **Patent No.:** **US D553,237 S**

(45) **Date of Patent:** **** Oct. 16, 2007**

- (54) **CEILING EXHAUST FAN**
- (75) Inventors: **Walter Herbst**, Lake Forest, IL (US);
John D. Hartman, Chicago, IL (US)
- (73) Assignee: **J. F. Meskill Enterprises, LLC**,
Cleveland, OH (US)
- (**) Term: **14 Years**
- (21) Appl. No.: **29/230,183**
- (22) Filed: **May 18, 2005**
- (51) **LOC (8) Cl.** **23-04**
- (52) **U.S. Cl.** **D23/372**
- (58) **Field of Classification Search** D23/371,
D23/385, 372; 454/349, 354
See application file for complete search history.

- 4,510,851 A 4/1985 Sarnosky et al.
- 4,594,940 A 6/1986 Wolbrink et al.
- 4,610,705 A 9/1986 Sarnosky et al.
- 4,614,177 A 9/1986 Buckley et al.
- D287,888 S 1/1987 Castor et al.
- D288,007 S 1/1987 Jonas et al.
- 4,867,640 A 9/1989 Penlesky et al.
- 5,062,410 A 11/1991 Sarnosky et al.
- 5,348,563 A 9/1994 Davis
- 5,435,817 A 7/1995 Davis et al.
- D365,389 S 12/1995 Williams
- D372,775 S 8/1996 Schuler
- D383,202 S 9/1997 Meister et al.
- 5,690,093 A 11/1997 Schrank et al.
- D392,380 S 3/1998 Schrank et al.

(Continued)

Primary Examiner—Lisa Lichtenstein
(74) *Attorney, Agent, or Firm*—Fay Sharpe LLP

(56) **References Cited**
U.S. PATENT DOCUMENTS

- 2,584,933 A 2/1952 Spear
- 2,842,307 A 7/1958 Spear
- 2,993,428 A 7/1961 Wermager
- 3,001,056 A 9/1961 Spear
- 3,026,788 A 3/1962 Spear
- 3,075,335 A 1/1963 Bandlow
- 3,087,411 A 4/1963 Spear et al.
- 3,233,606 A 2/1966 Turner et al.
- 3,279,681 A 10/1966 Bandlow
- 3,358,911 A 12/1967 Bandlow
- 3,589,083 A 6/1971 Sciafani
- 3,846,043 A 11/1974 Wolbrink et al.
- 4,136,606 A 1/1979 Wolbrink
- D252,641 S 8/1979 LaZar
- 4,465,256 A 8/1984 Wolbrink et al.

(57) **CLAIM**

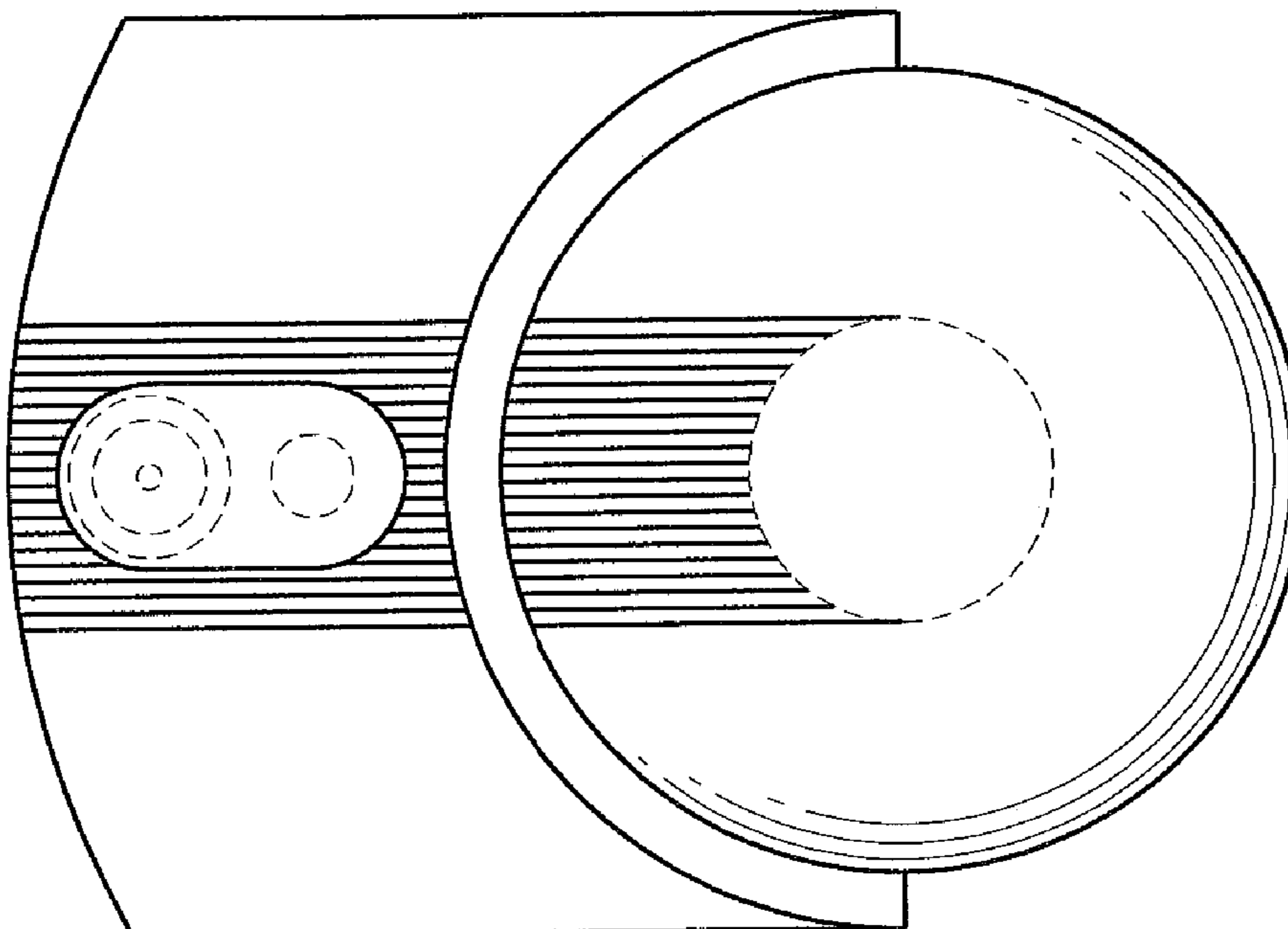
The ornamental design for a ceiling exhaust fan, as shown and described.

DESCRIPTION

FIG. 1 is a top plan view of a ceiling exhaust fan;
FIG. 2 is a side plan view thereof;
FIG. 3 is a left-side end plan view thereof;
FIG. 4 is a right-side end plan view thereof; and,
FIG. 5 is a bottom plan view thereof.

The broken line showing of the concentric circular members is included for the purpose of illustrating environmental structure and forms no part of the claimed design.

1 Claim, 2 Drawing Sheets



US D553,237 S

Page 2

U.S. PATENT DOCUMENTS

5,820,247	A	10/1998	Schuler	D457,616	S	*	5/2002	Yamanaka et al.	D23/371
6,036,757	A	3/2000	Gatchell	6,424,608	B1		7/2002	Takeuchi	
6,099,608	A	8/2000	Harms et al.	6,454,834	B1		9/2002	Livingstone et al.	
6,168,378	B1	1/2001	Craw et al.	6,488,579	B2		12/2002	Larson et al.	
6,203,423	B1	3/2001	Craw et al.	6,503,462	B1		1/2003	Michalakos et al.	
6,261,175	B1	7/2001	Larson et al.	6,605,132	B2		8/2003	Fielding	
6,277,176	B1	8/2001	Tang et al.	6,616,736	B2		9/2003	Massey et al.	
D451,182	S	11/2001	Tsuji	6,623,550	B2		9/2003	Shah et al.	
6,321,637	B1	11/2001	Shanks et al.	D488,854	S		4/2004	Stauffer	
6,355,091	B1	3/2002	Felber et al.	D490,147	S	*	5/2004	Miura	D23/385
6,361,590	B1	3/2002	Gilbert, Jr. et al.						

* cited by examiner

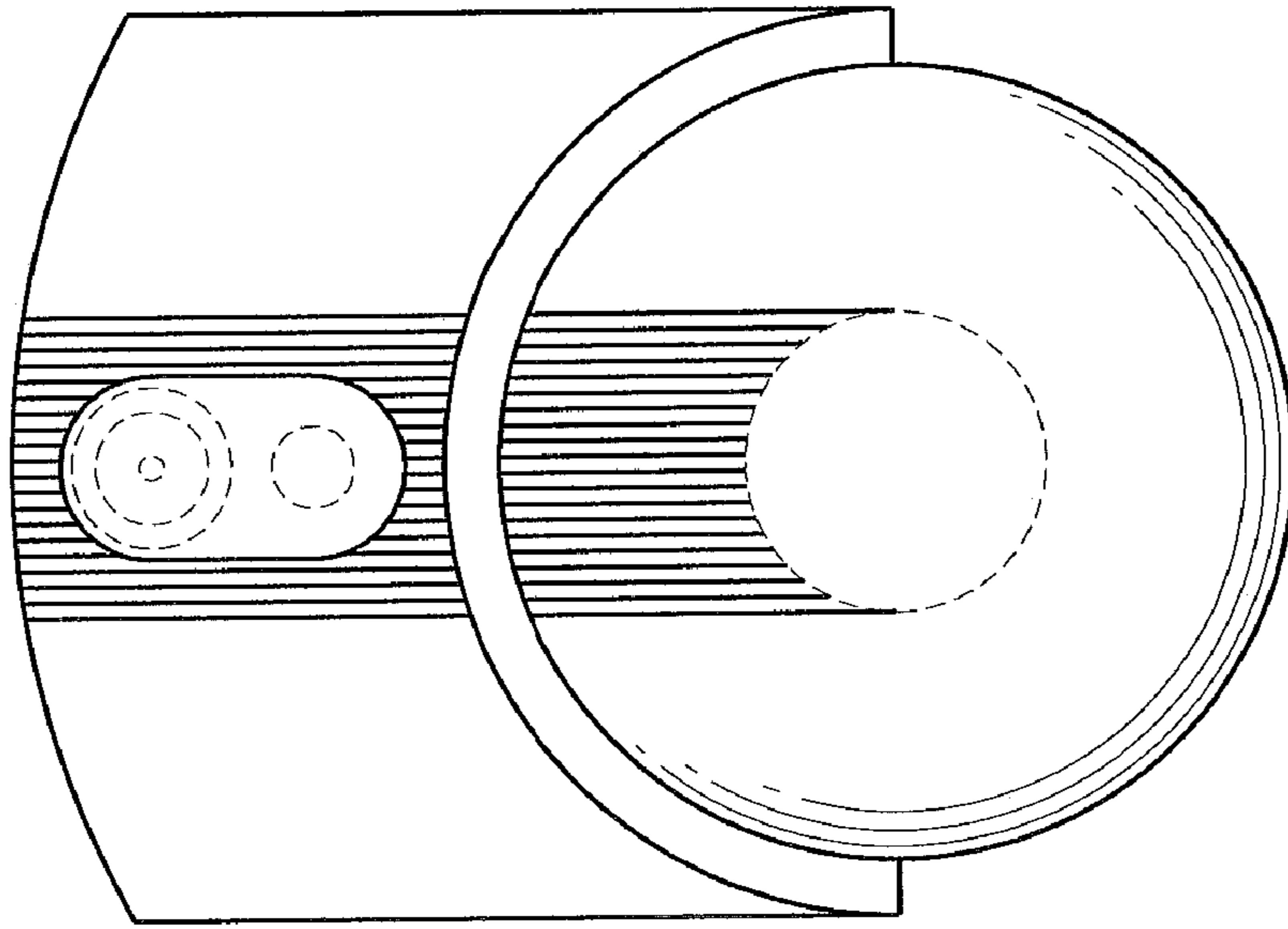


FIG. 1

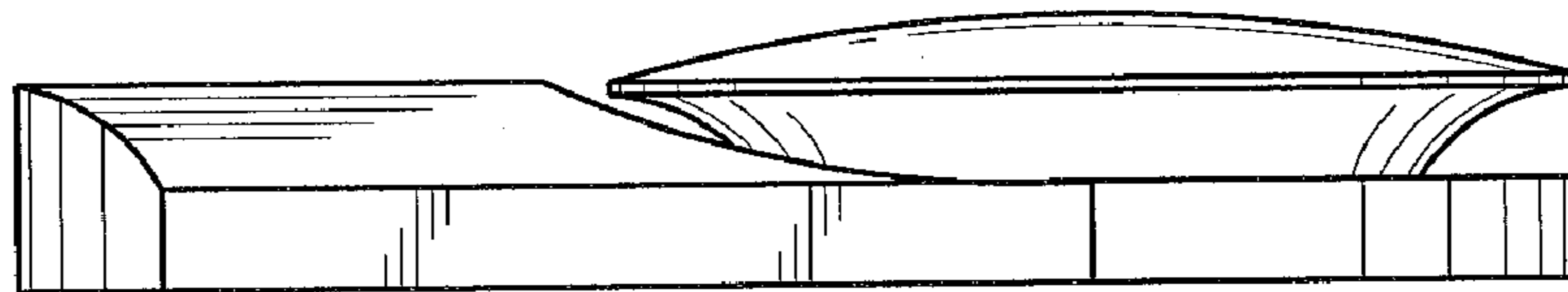


FIG. 2

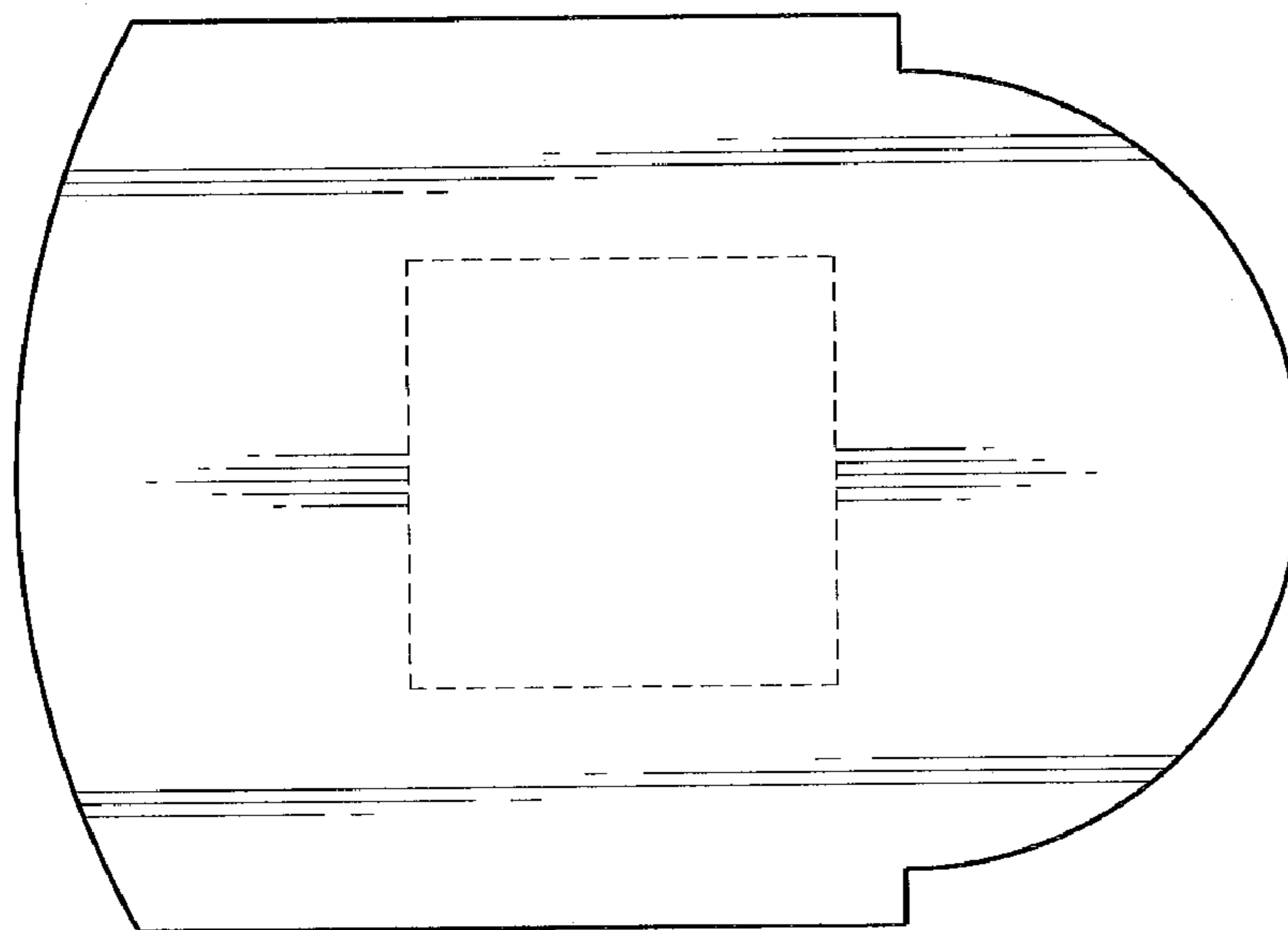


FIG. 5

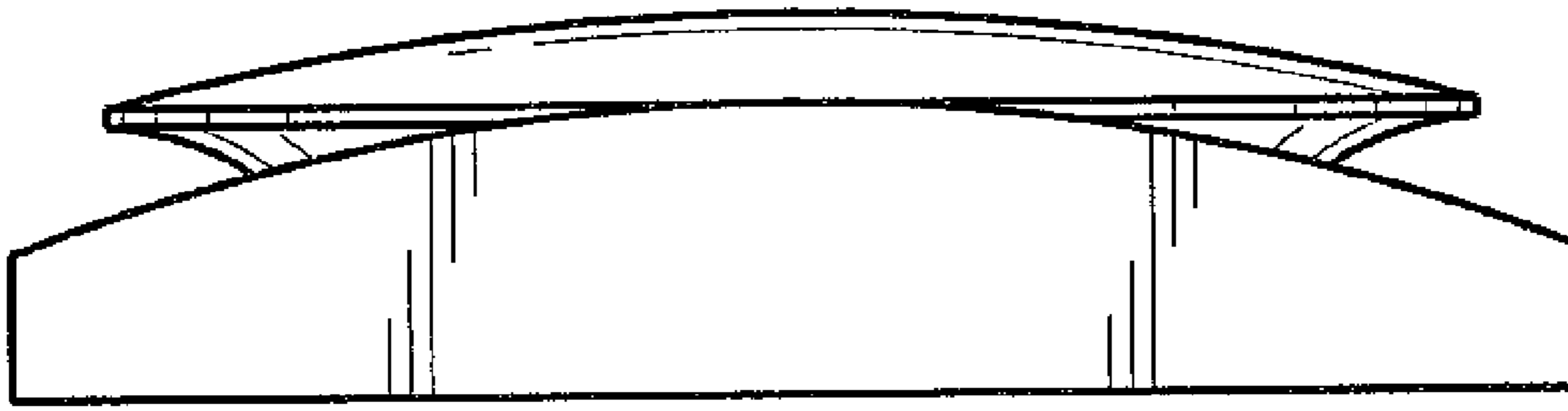


FIG. 3

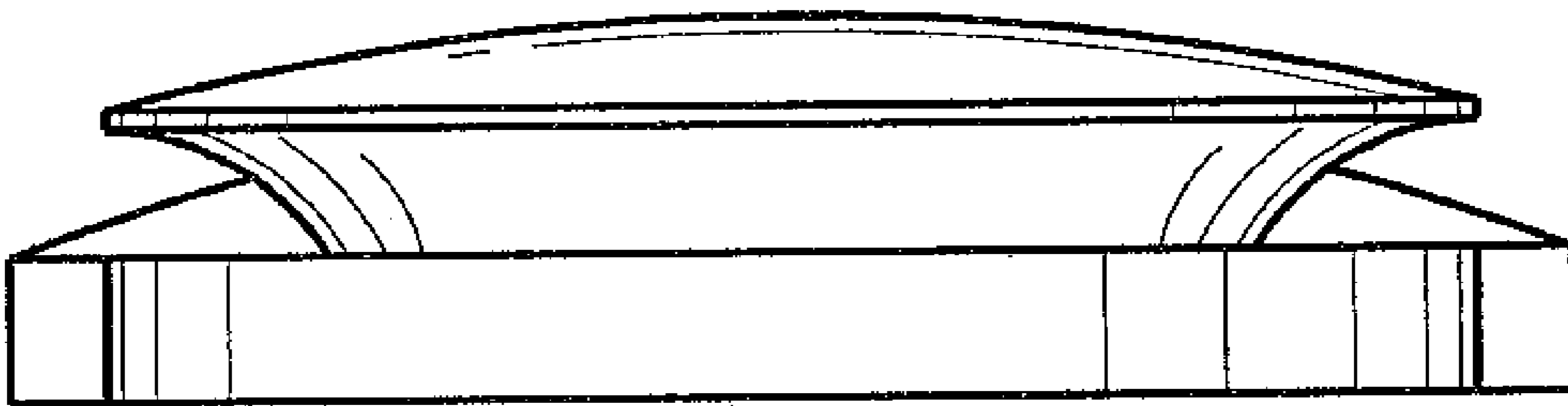


FIG. 4