



US00D553233S

(12) **United States Design Patent** (10) **Patent No.:** **US D553,233 S**
Hatch et al. (45) **Date of Patent:** **** Oct. 16, 2007**

(54) **VOLATILE DISPENSER**

Primary Examiner—Sandra Snapp

(75) Inventors: **Paul D. Hatch**, Chicago, IL (US); **Carl A. Cepress**, Chicago, IL (US); **Hyung S. Lee**, Chicago, IL (US)

(57) **CLAIM**

The ornamental design for a volatile dispenser, as shown and described.

(73) Assignee: **S.C. Johnson & Son, Inc.**, Racine, WI (US)

(**) Term: **14 Years**

DESCRIPTION

(21) Appl. No.: **29/276,470**

In a preferred embodiment the nature of this product is an air treatment dispenser suitable to hang on a person's belt, pocket or other clothing item and dispense insect repellents (e.g. mosquito repellent).

(22) Filed: **Jan. 26, 2007**

(51) **LOC (8) Cl.** **28-99**

FIG. 1 is a right, top, frontal perspective view of a volatile dispenser embodying our new design;

(52) **U.S. Cl.** **D23/366**

FIG. 2 is a front elevational view thereof;

(58) **Field of Classification Search** 261/DIG. 17, 261/DIG. 42, DIG. 65, DIG. 88, DIG. 89; D23/355–369; D28/5, 6; 392/341, 342, 392/386, 390, 392, 393, 394, 401; 239/34, 239/35, 42, 60, 53–58, 136, 326; D11/43, D11/79

FIG. 3 is a right side elevational view thereof, the left side elevational view being a mirror image thereof;

See application file for complete search history.

FIG. 4 is a top plan view thereof;

FIG. 5 is a bottom plan view thereof;

(56) **References Cited**

U.S. PATENT DOCUMENTS

D372,526 S *	8/1996	Rymer	D23/366
D376,420 S *	12/1996	Rymer	D23/368
D393,901 S *	4/1998	Kuhn	D23/368
5,899,382 A *	5/1999	Hayes et al.	239/56
6,371,450 B1	4/2002	Davis et al.		
D516,193 S *	2/2006	Caserta et al.	D23/366
D518,161 S *	3/2006	Davis et al.	D23/366
7,007,861 B2	3/2006	Ketcha et al.		
D532,506 S *	11/2006	Caserta et al.	D23/366

FIG. 6 is a rear elevational view thereof;

FIG. 7 is a right, top, frontal perspective view of a second embodiment of our new design;

FIG. 8 is a front elevational view thereof;

FIG. 9 is a right side elevational view thereof, the left side elevational view being a mirror image thereof;

FIG. 10 is a top plan view thereof;

FIG. 11 is a bottom plan view thereof; and,

FIG. 12 is a rear elevational view thereof.

OTHER PUBLICATIONS

U.S. Appl. No. 11/609,923, filed Dec. 13, 2006, Adair.

The broken line representations of a power control button, a status indicator light, and/or a vent grid in FIGS. 7–11 are for purposes of illustration only and form no part of the claimed design.

* cited by examiner

1 Claim, 8 Drawing Sheets

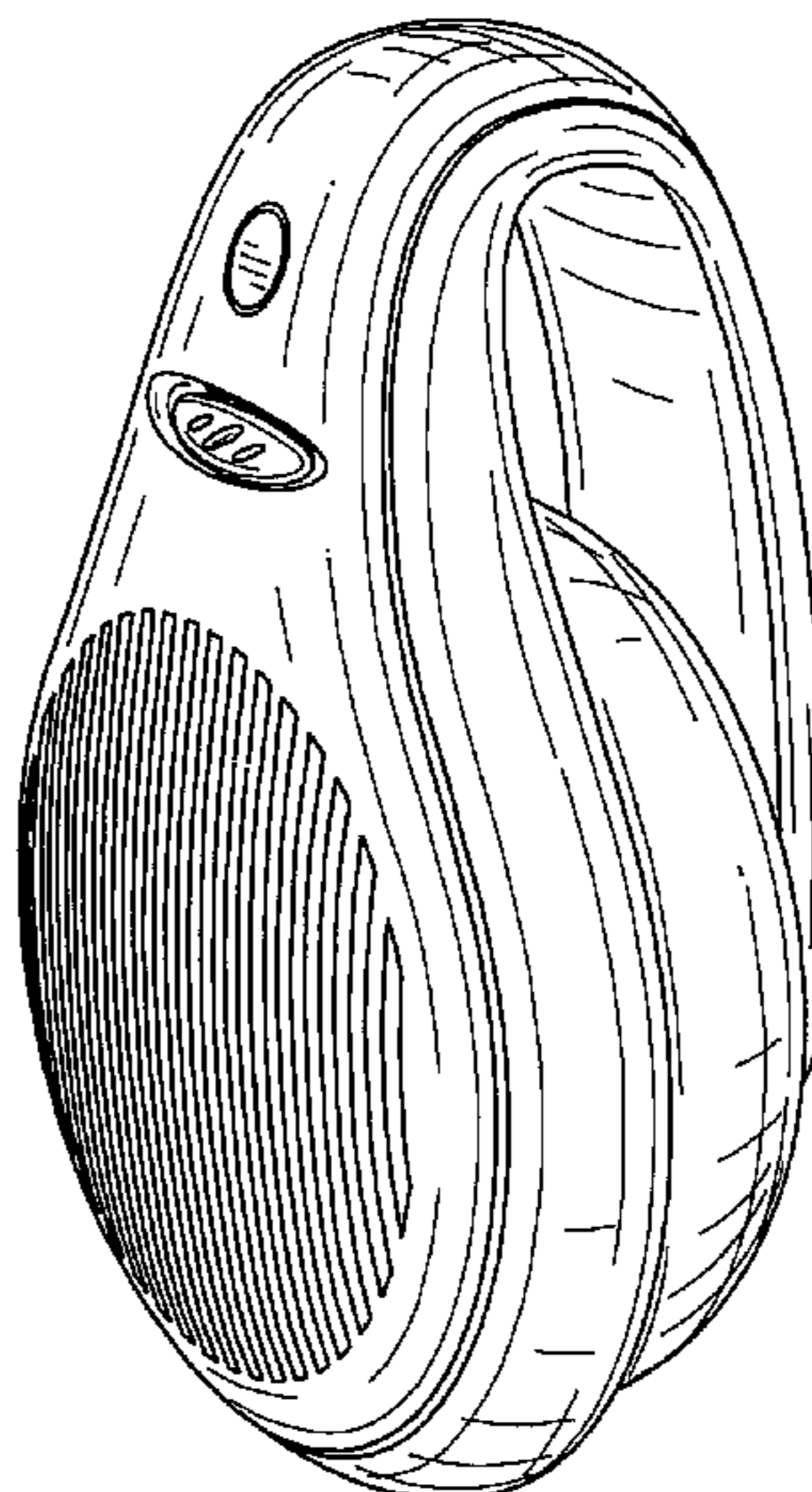
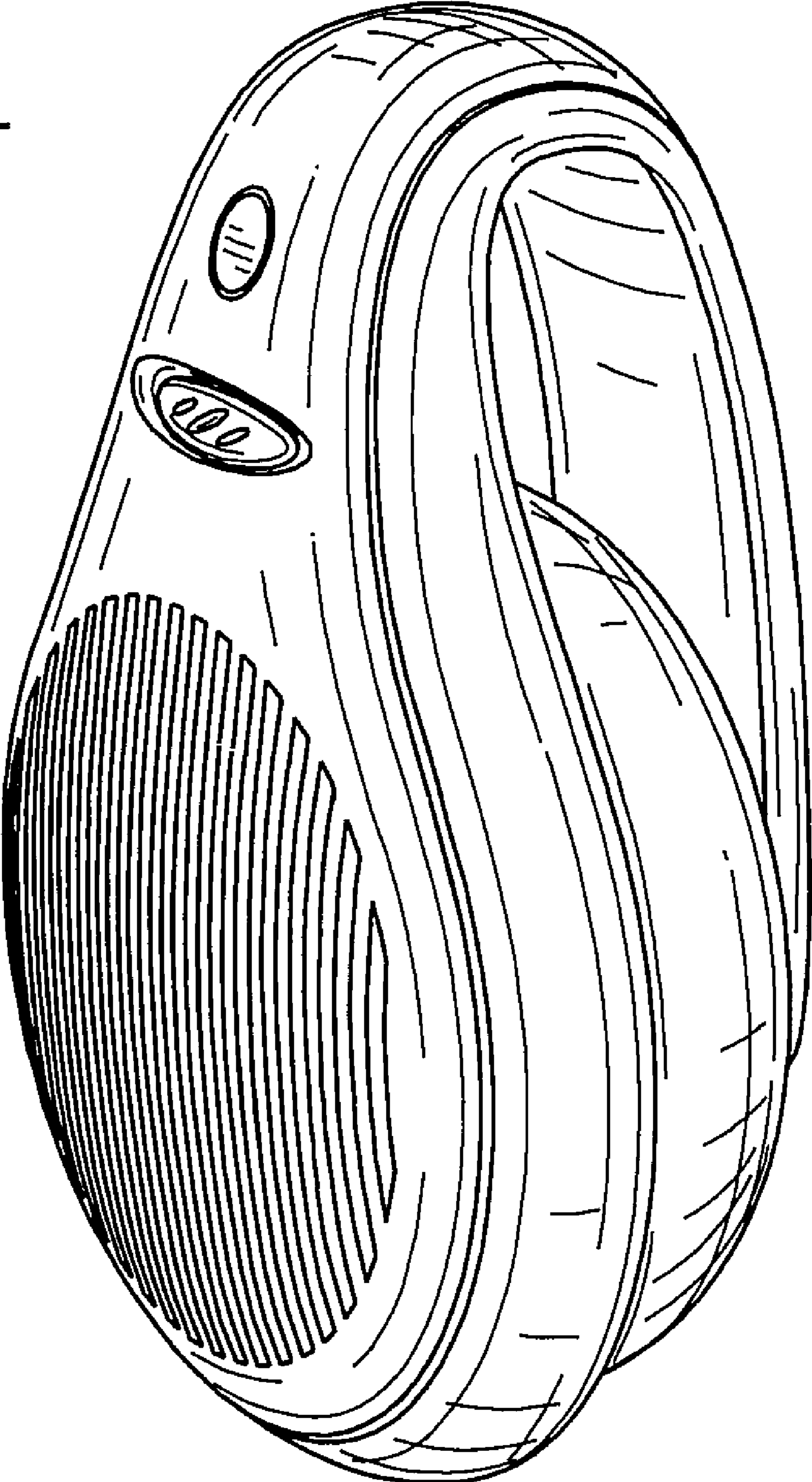


FIG. 1



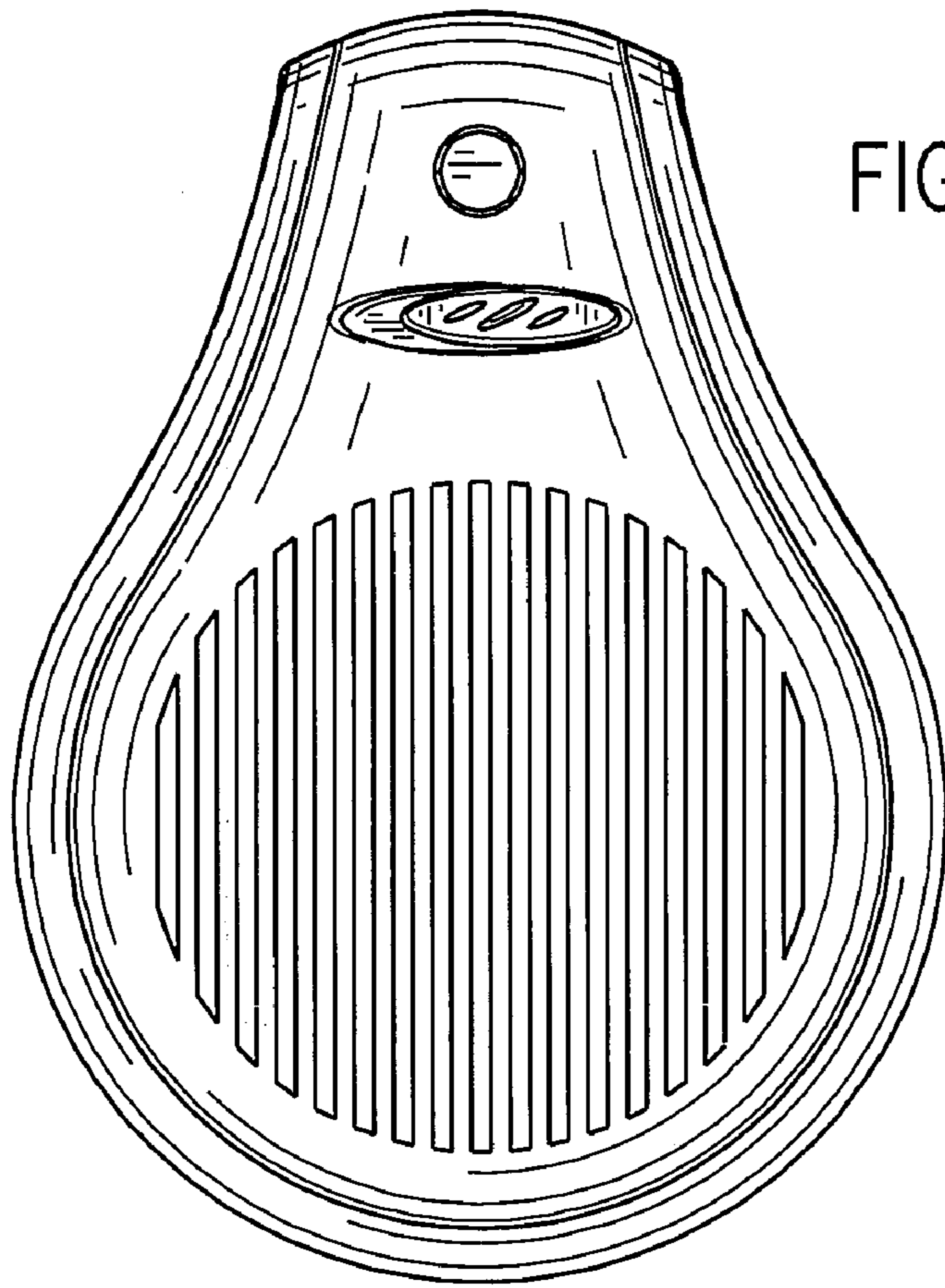


FIG. 2



FIG. 3

FIG. 4

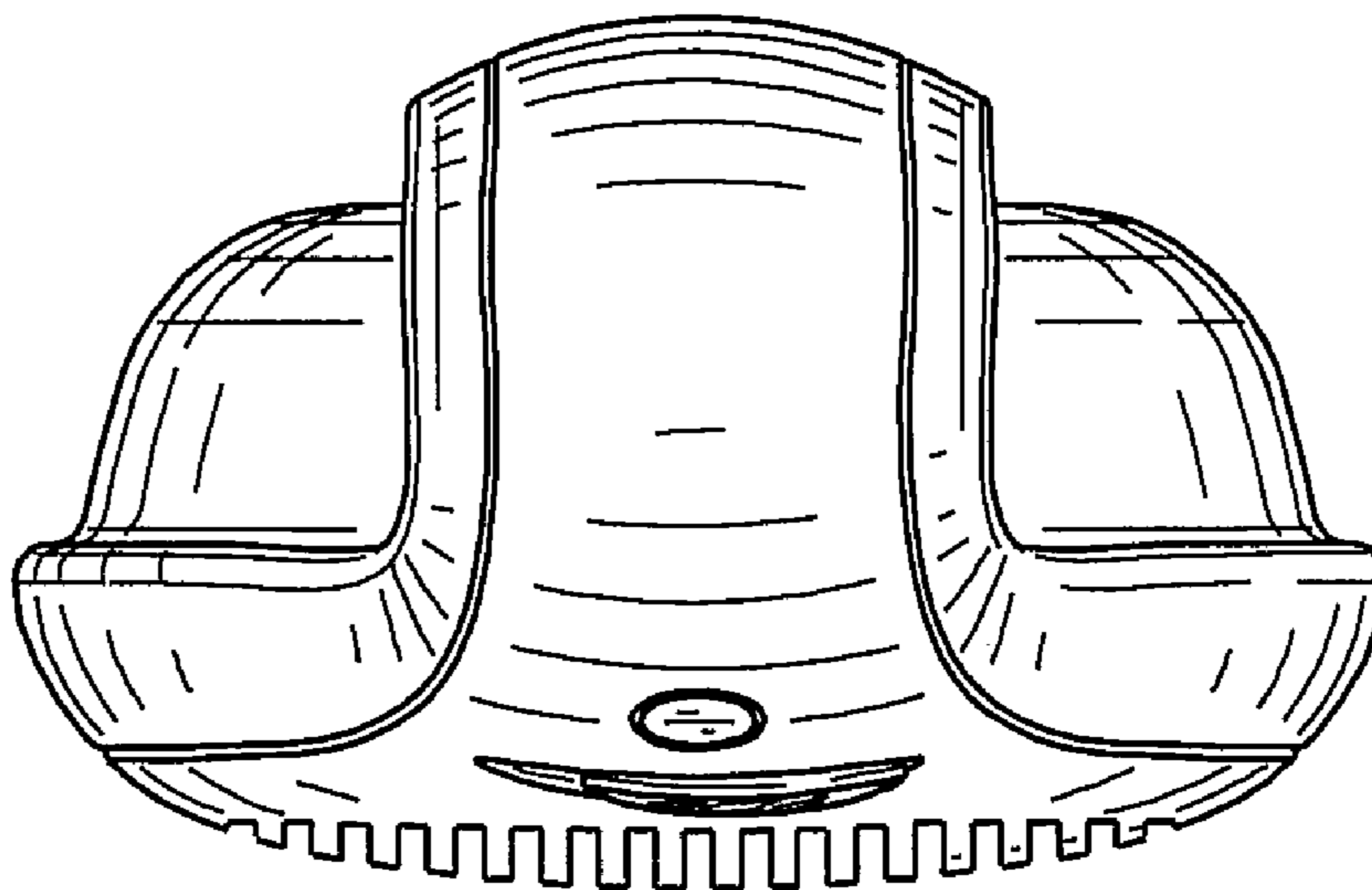


FIG. 5

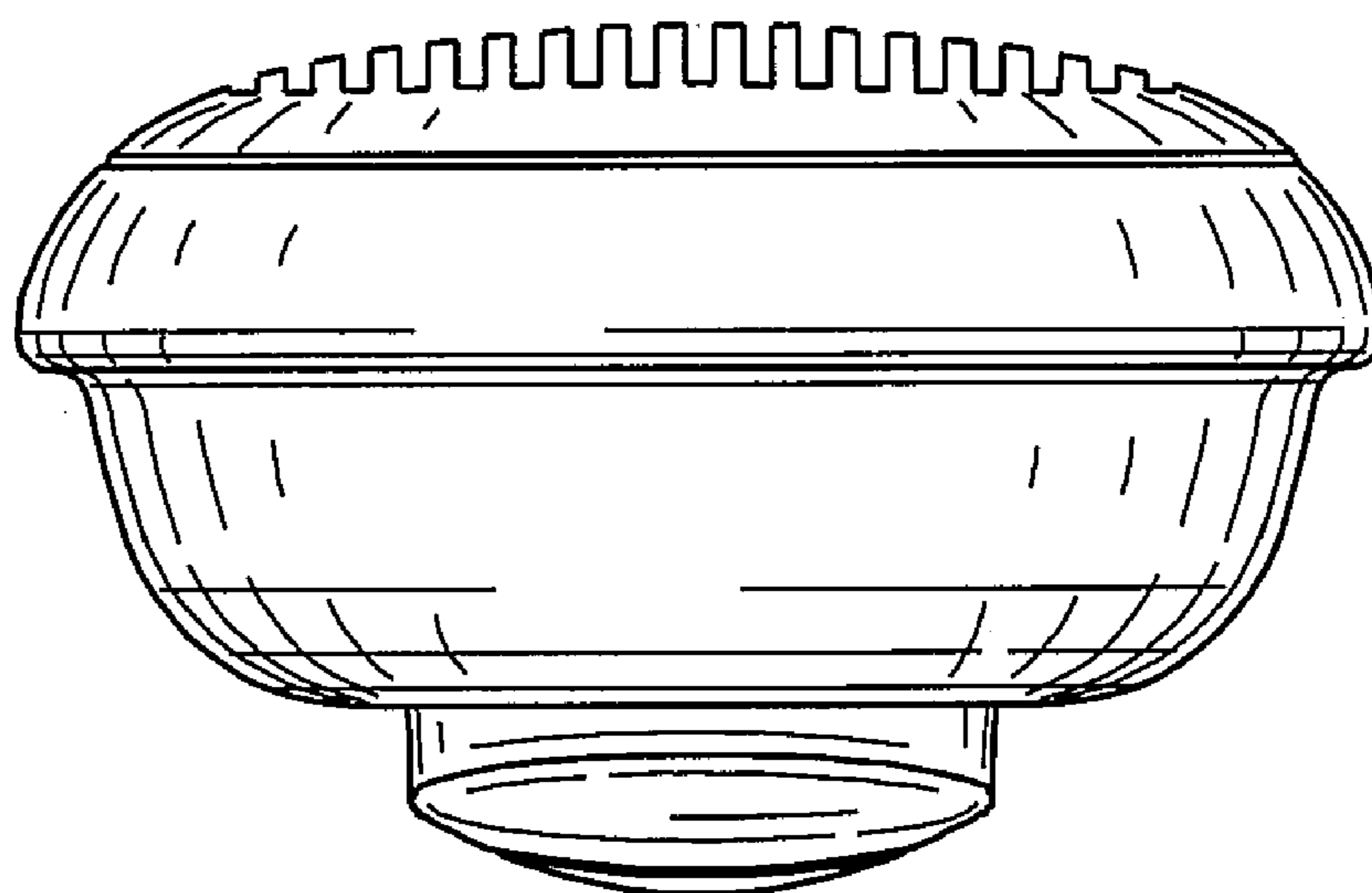


FIG. 6

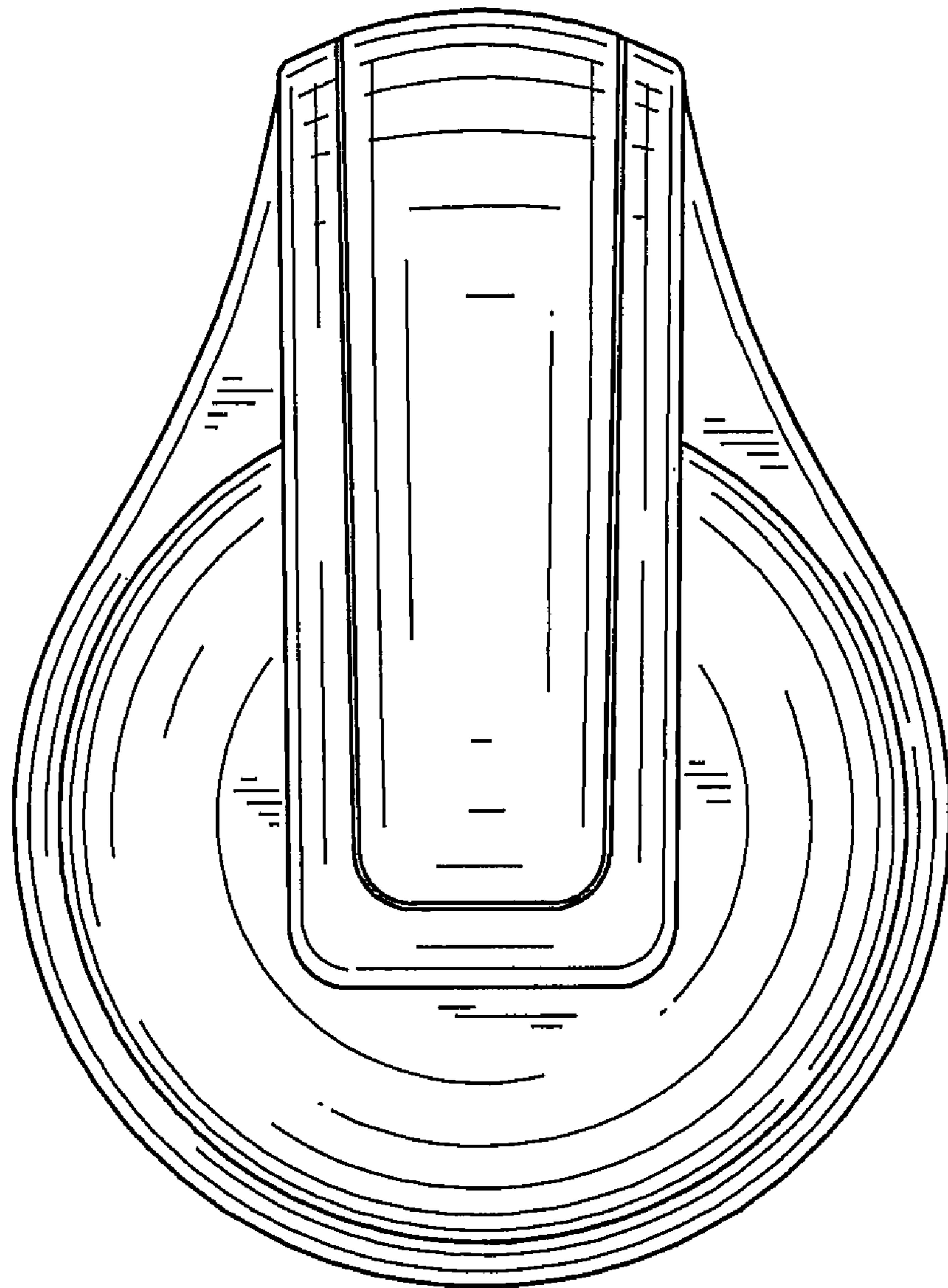


FIG. 7

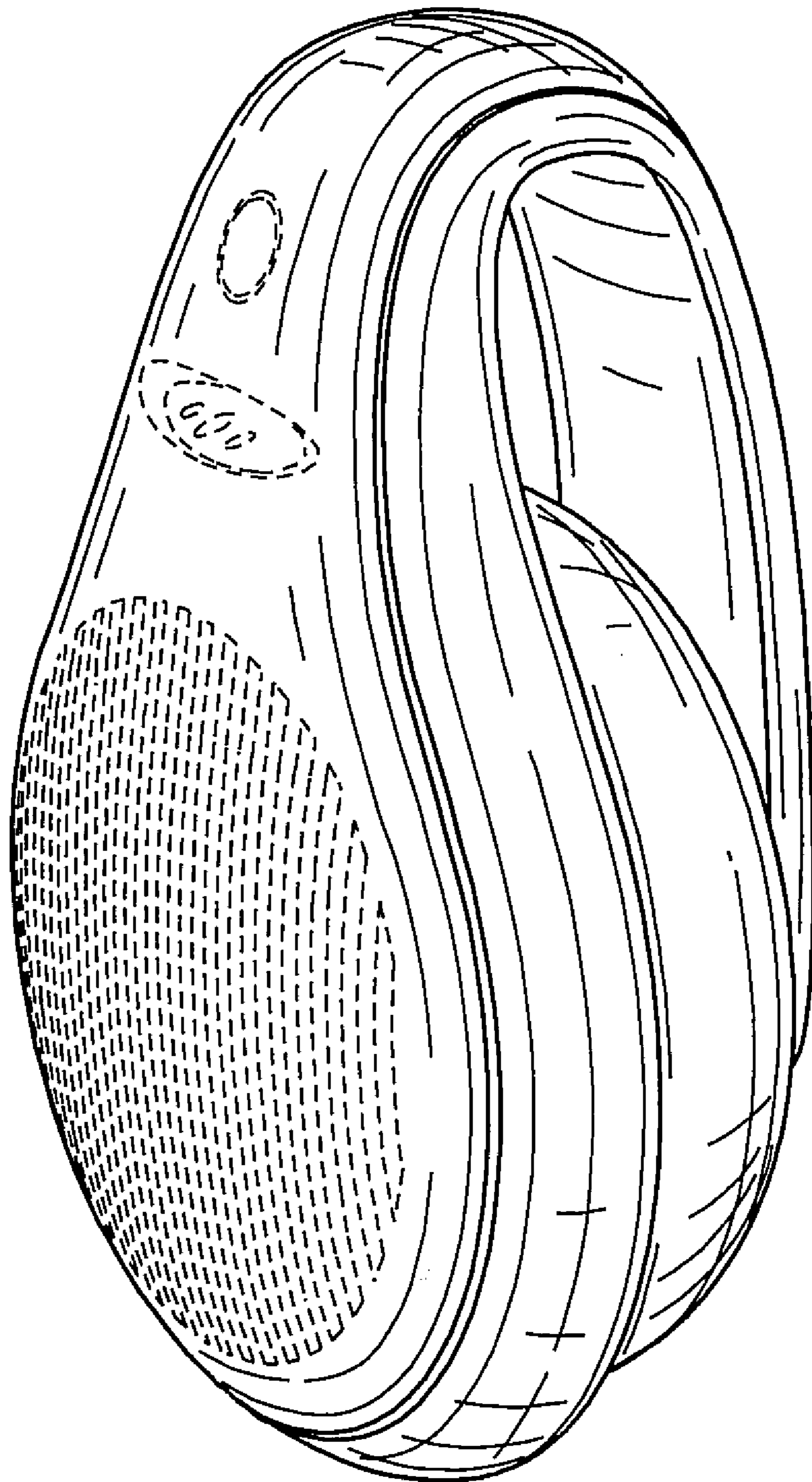


FIG. 8

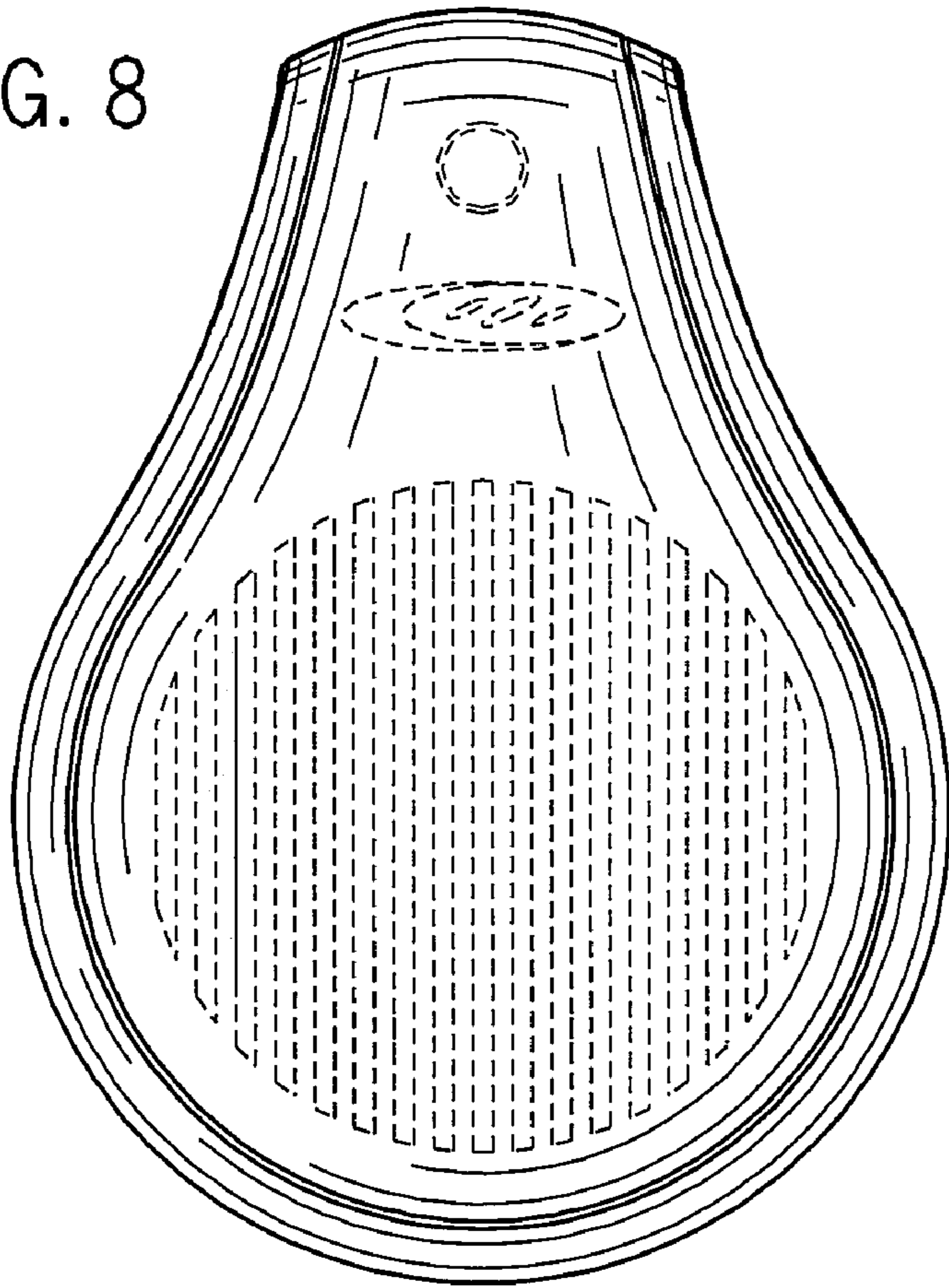


FIG. 9

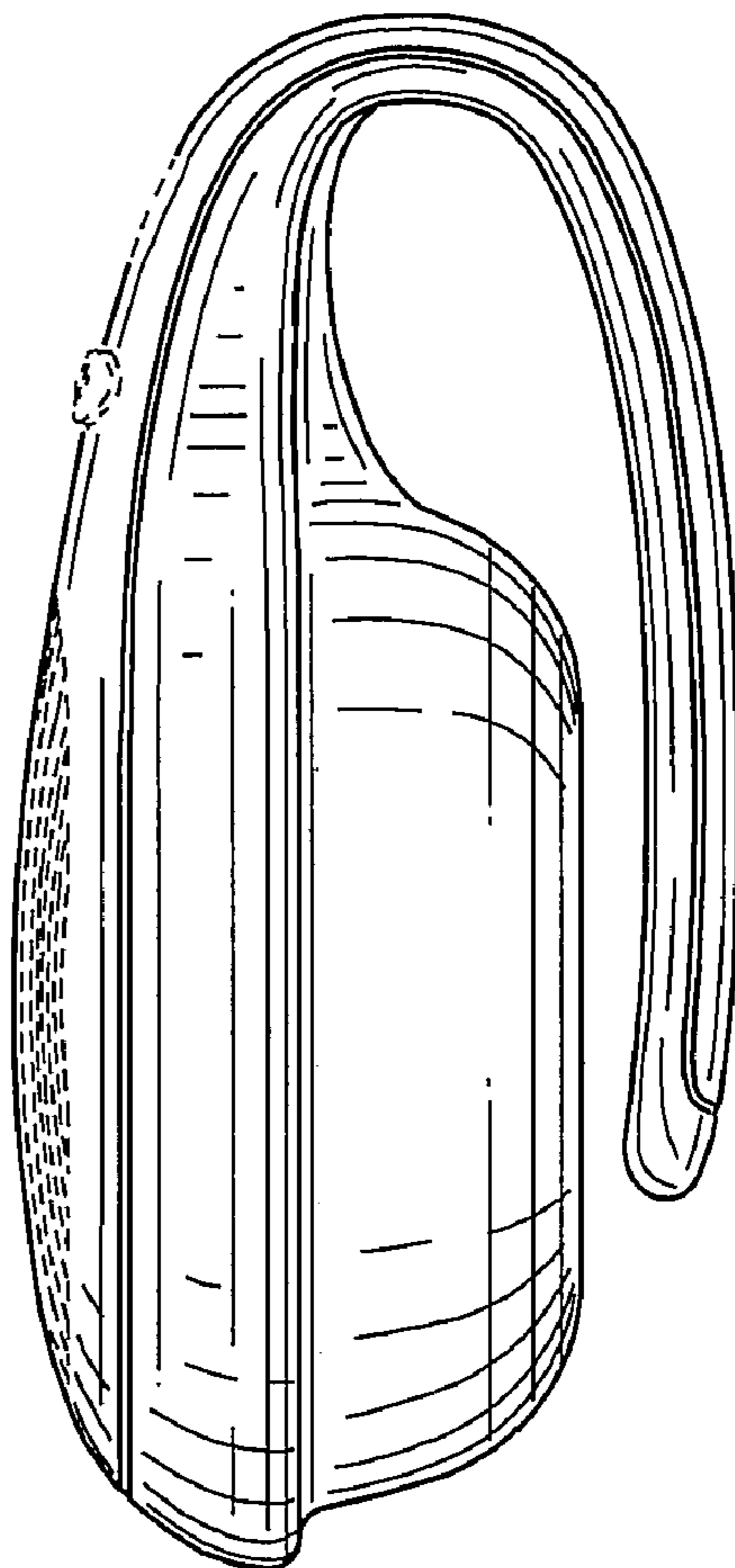


FIG. 10

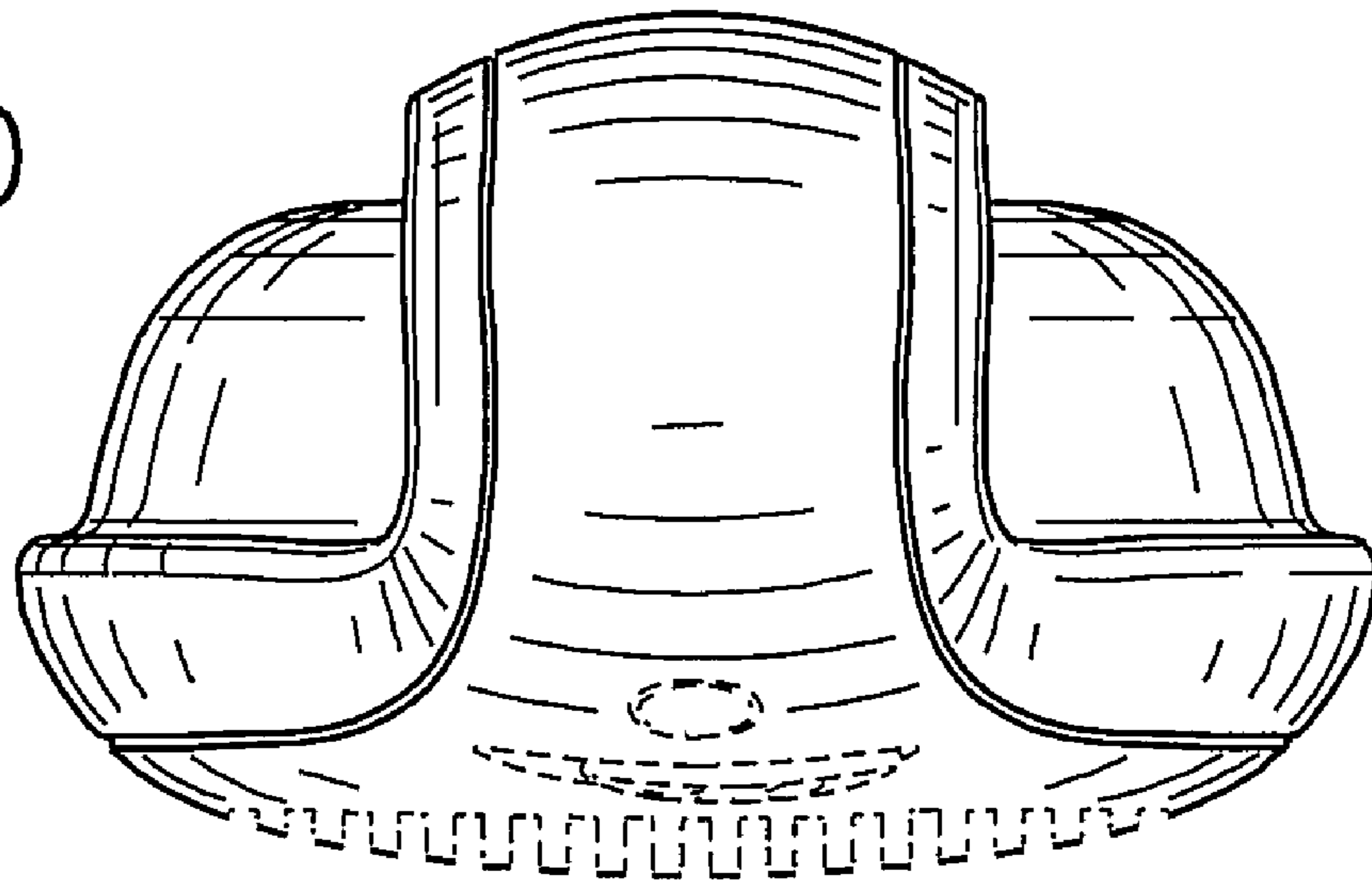


FIG. 11

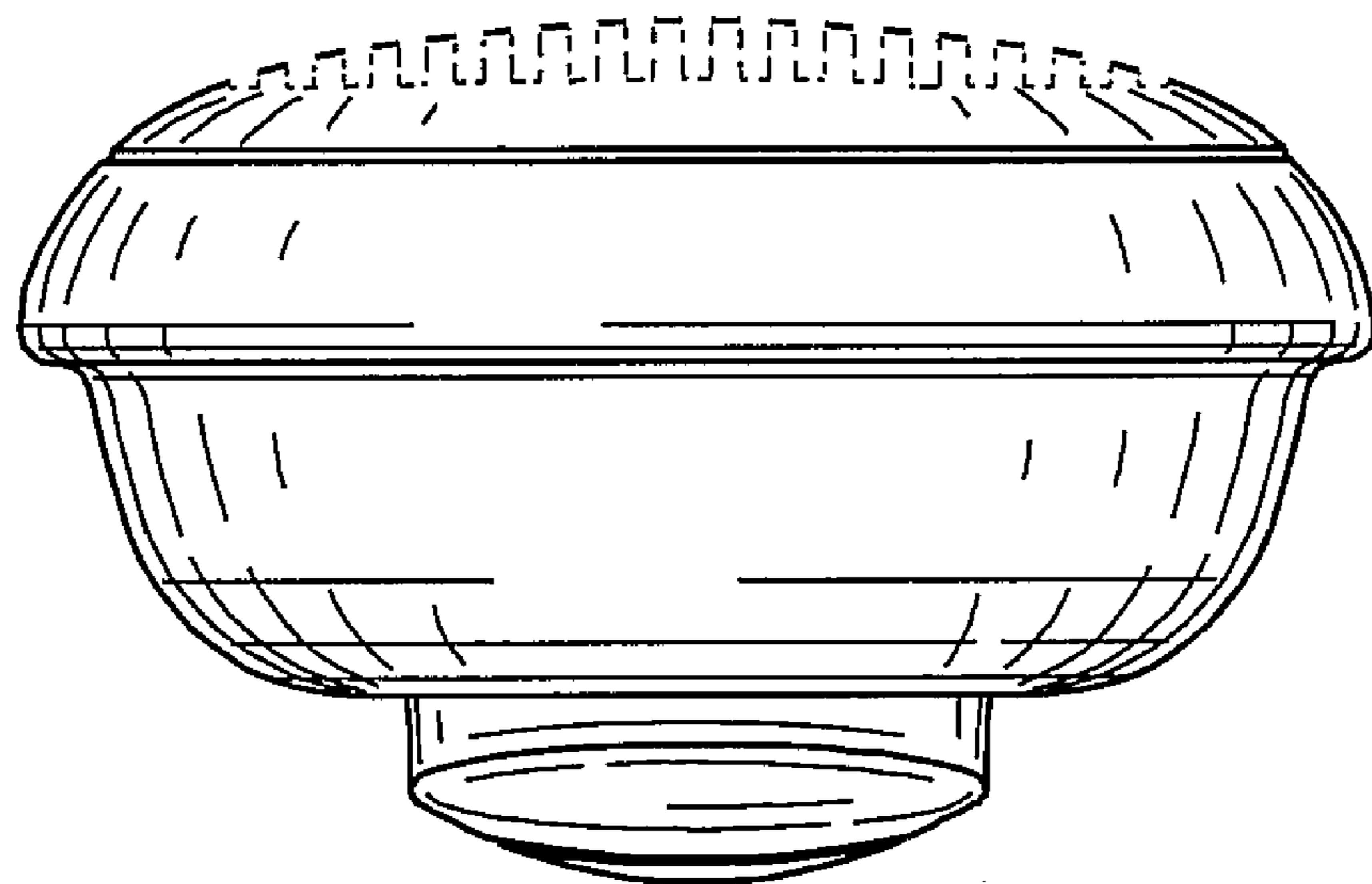


FIG. 12

