



US00D553232S

(12) **United States Design Patent**
Furuya

(10) **Patent No.:** **US D553,232 S**

(45) **Date of Patent:** **** Oct. 16, 2007**

(54) **FRAGRANCE DISPENSER FOR AUTOMOBILES**

(75) Inventor: **Masayuki Furuya**, Toshima-ku (JP)

(73) Assignee: **Car Mate Mfg. Co., Ltd.**, Tokyo (JP)

(**) Term: **14 Years**

(21) Appl. No.: **29/271,399**

(22) Filed: **Jan. 18, 2007**

(30) **Foreign Application Priority Data**

Jul. 19, 2006 (JP) 2006-019030

(51) **LOC (8) Cl.** **28-99**

(52) **U.S. Cl.** **D23/366**

(58) **Field of Classification Search** 261/DIG. 17,
261/DIG. 42, DIG. 65, DIG. 88, DIG. 89;
D23/355-369; D28/5, 6; 392/341, 342,
392/386, 390, 392, 393, 394, 401; 239/34,
239/35, 42, 60, 53-58, 136, 326; D11/43,
D11/79

See application file for complete search history.

(56) **References Cited**

U.S. PATENT DOCUMENTS

- D166,811 S * 5/1952 Le Febvre D23/366
- D170,770 S * 11/1953 Rosenthal D23/368
- D242,621 S * 12/1976 Curran D23/366
- D285,511 S * 9/1986 Loscalzo et al. D6/573

- 5,178,327 A * 1/1993 Palamand et al. 239/57
- D367,526 S * 2/1996 Bignon D23/366
- D373,626 S * 9/1996 Dente et al. D23/366
- 5,695,692 A * 12/1997 Kennedy 261/30
- 5,735,460 A * 4/1998 Eisenbraun 239/34
- D464,720 S * 10/2002 Lohkamp D23/355
- D475,773 S * 6/2003 Lammel D23/366

* cited by examiner

Primary Examiner—Sandra Snapp

(74) *Attorney, Agent, or Firm*—Koda & Androlia

(57) **CLAIM**

The ornamental design for a fragrance dispenser for automobiles, as shown and described.

DESCRIPTION

FIG. 1 is a front elevational view of the fragrance dispenser for automobiles showing my new design;

FIG. 2 is a rear elevational view thereof;

FIG. 3 is a top plan view thereof;

FIG. 4 is a bottom plan view thereof;

FIG. 5 is a right side elevational view thereof, the left side view being a mirror image of the right side view; and,

FIG. 6 is a right side elevational view thereof with an mounting clip attached.

The dotted lines are disclosed for illustrative purposes only and form no part of the claimed design.

1 Claim, 3 Drawing Sheets

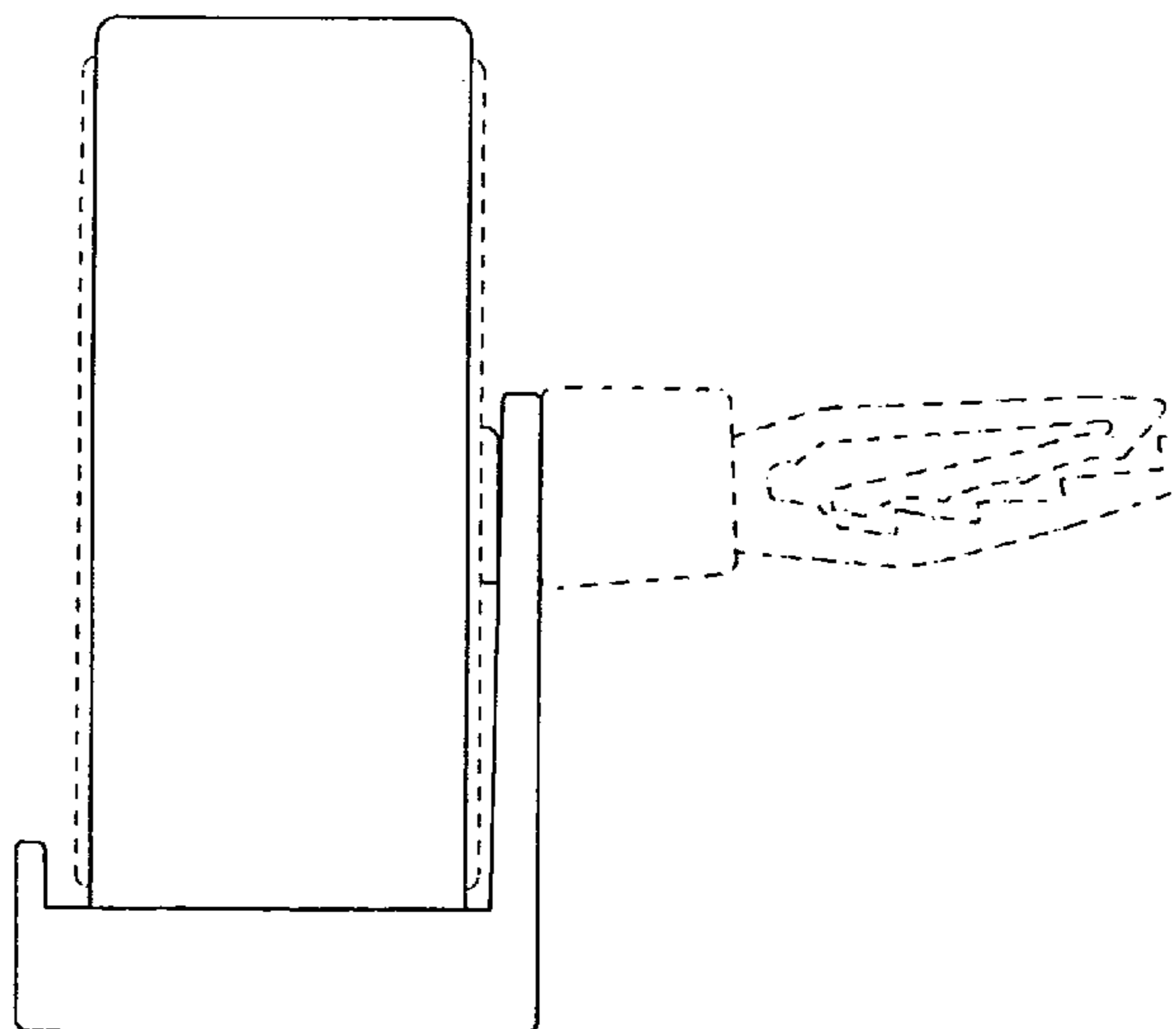
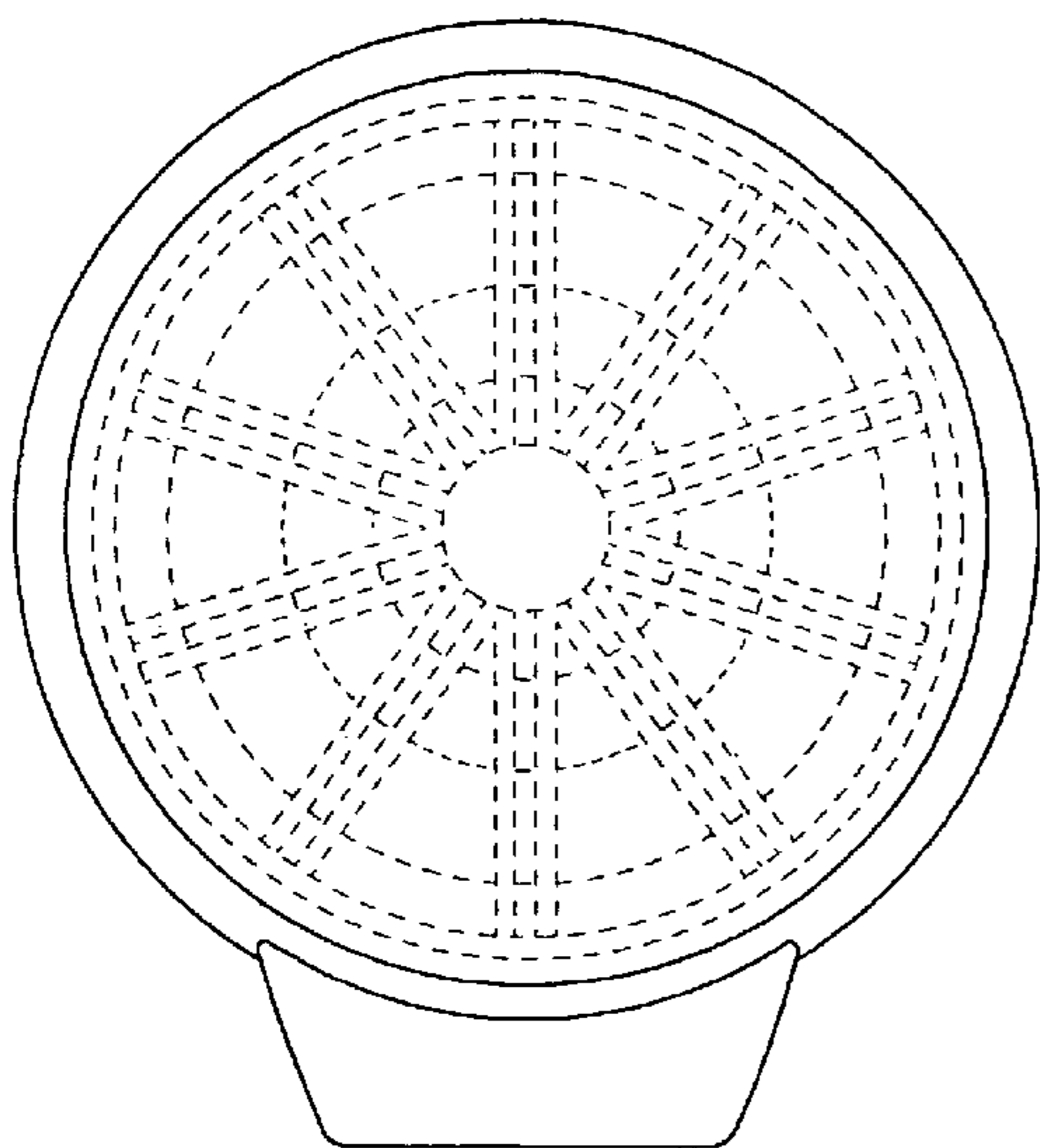


FIG. 1

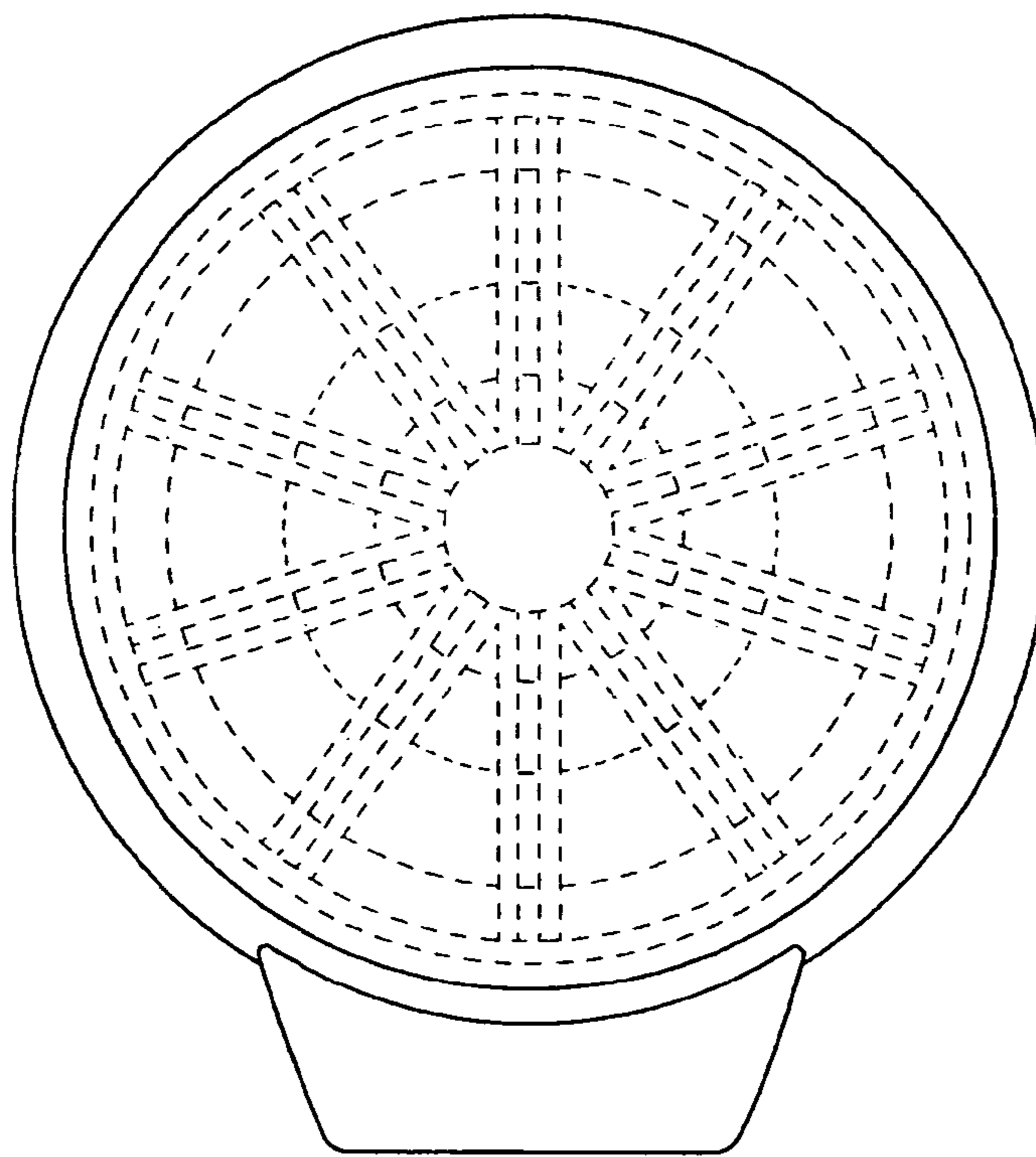


FIG. 2

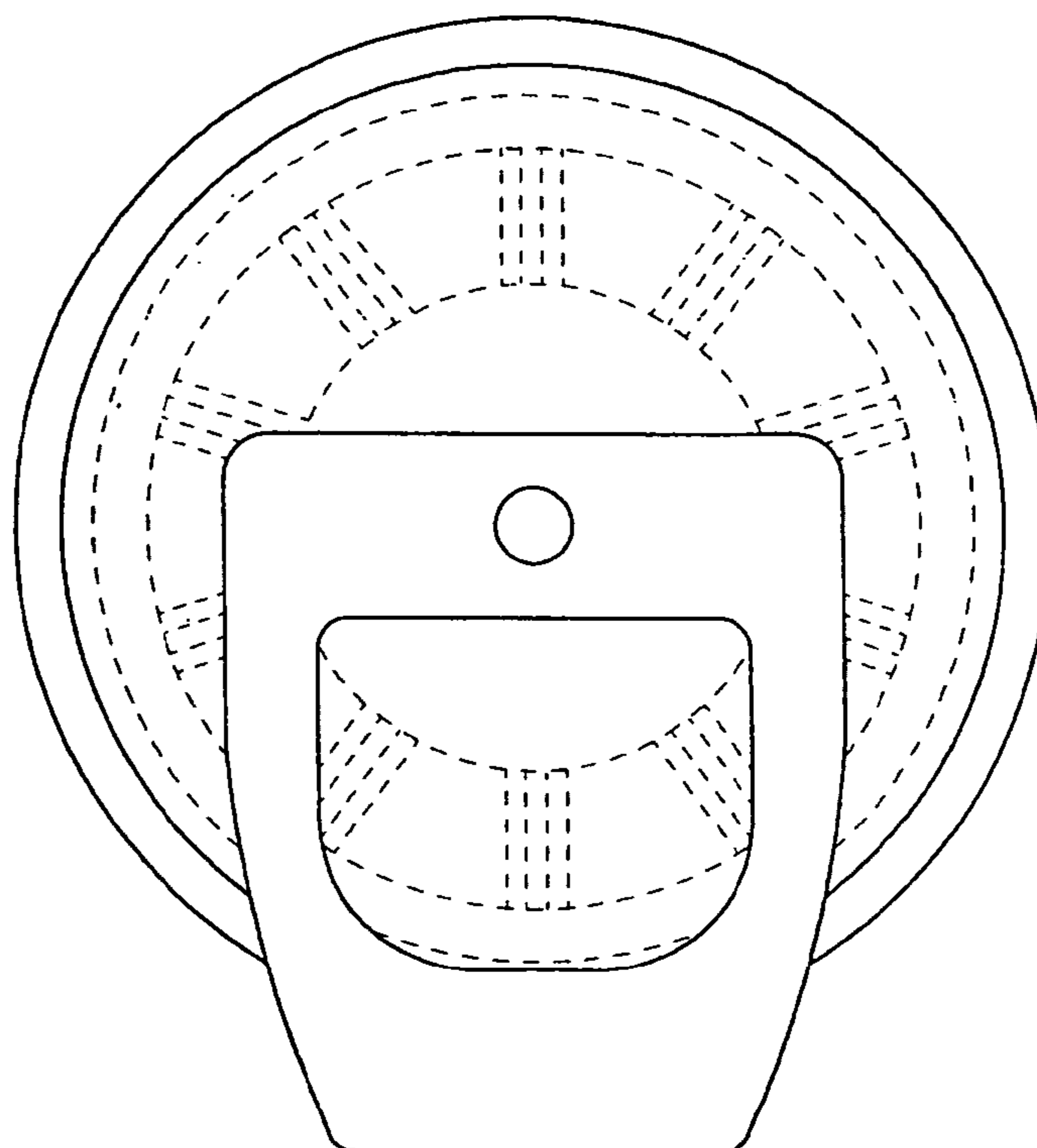


FIG. 3

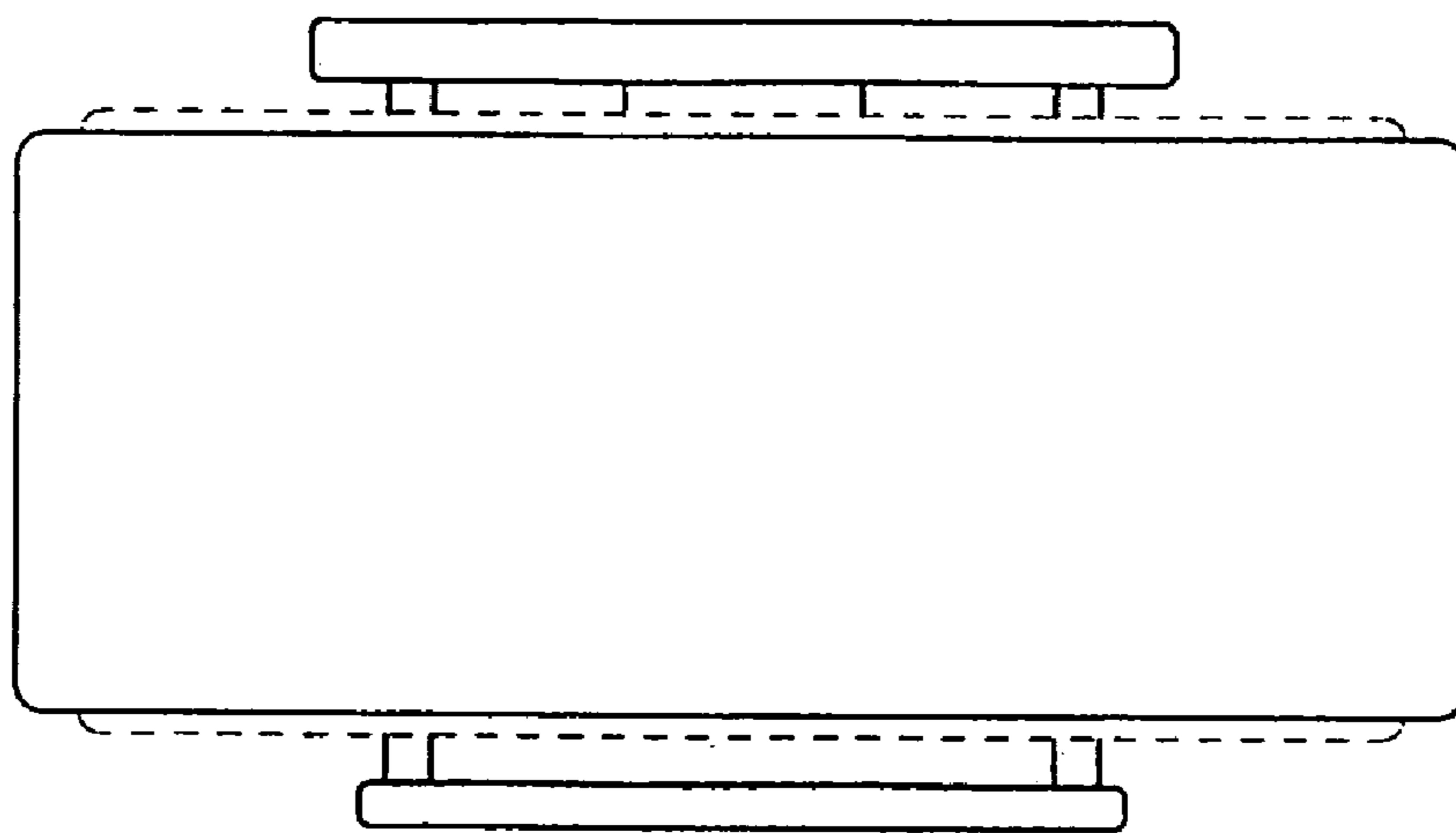


FIG. 4

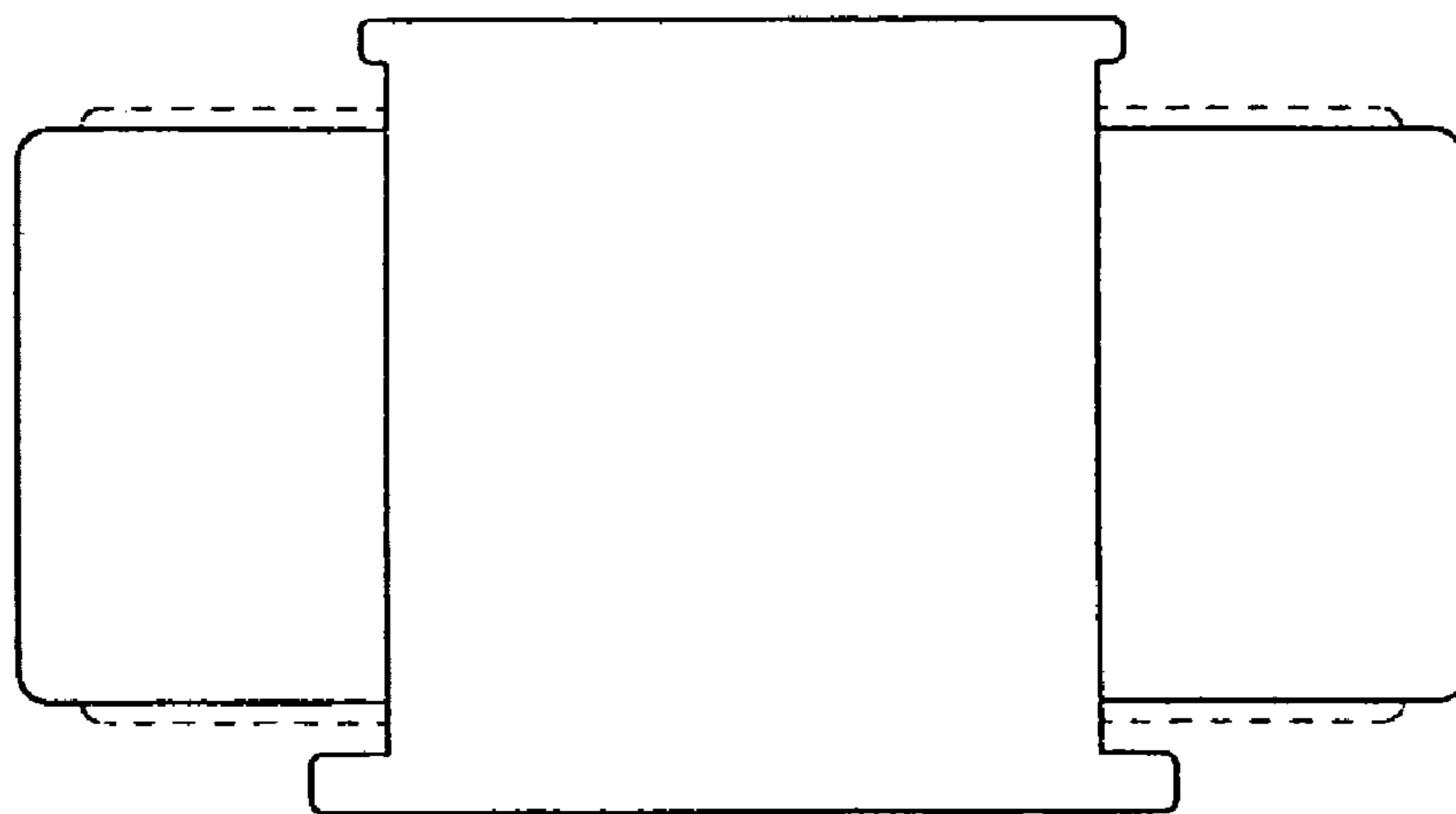


FIG. 5

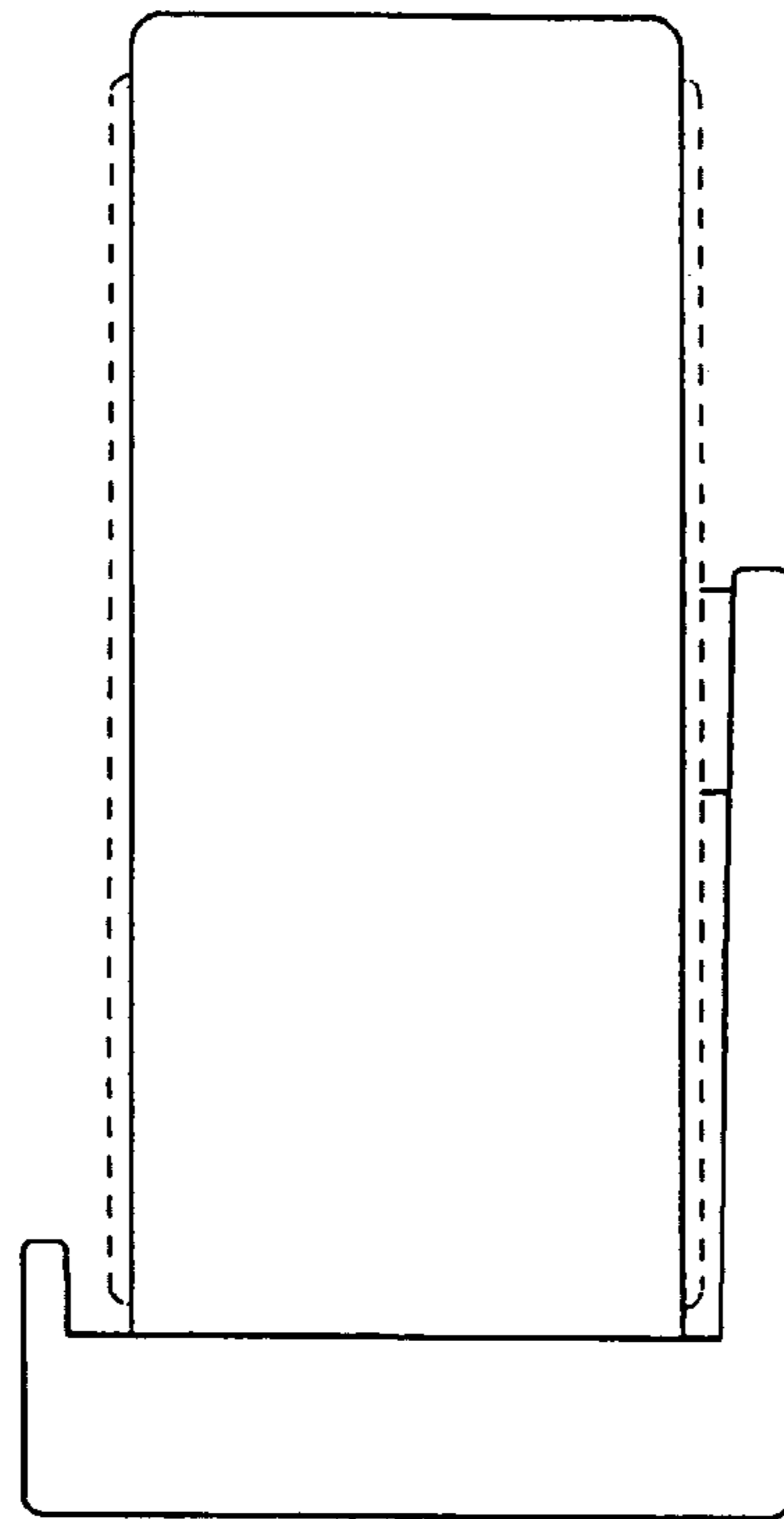


FIG. 6

