



US00D553231S

(12) **United States Design Patent** (10) **Patent No.:** **US D553,231 S**  
**Li** (45) **Date of Patent:** **\*\* Oct. 16, 2007**

(54) **AROMA DIFFUSER**

(75) Inventor: **Dong-Sheng Li, Kowloon (HK)**

(73) Assignee: **Puzhen International Product Company Limited, Kowloon (HK)**

(\*\*) Term: **14 Years**

(21) Appl. No.: **29/269,634**

(22) Filed: **Dec. 5, 2006**

(30) **Foreign Application Priority Data**

Jun. 7, 2006 (HK) ..... 0601459

(51) **LOC (8) Cl.** ..... **28-99**

(52) **U.S. Cl.** ..... **D23/366**

(58) **Field of Classification Search** ..... 261/DIG. 17,  
261/DIG. 42, DIG. 65, DIG. 88, DIG. 89;  
D23/355-369; D28/5, 6; 392/341, 342,  
392/386, 390, 392, 393, 394, 401; 239/34,  
239/35, 42, 60, 53-58, 136, 326; D11/43,  
D11/79

See application file for complete search history.

(56) **References Cited**

**U.S. PATENT DOCUMENTS**

D63,784 S \* 1/1924 Gunther ..... D23/357  
1,752,291 A \* 4/1930 Barbiers ..... 215/382  
1,765,299 A \* 6/1930 Crossmore ..... 215/10  
D89,900 S \* 5/1933 Lippert ..... D22/122  
1,990,338 A \* 2/1935 Lippert ..... 219/525  
D102,782 S \* 1/1937 Heller ..... D23/356  
2,219,959 A \* 10/1940 Laidley ..... 239/43  
2,301,646 A \* 11/1942 Stapleton ..... 392/333  
2,471,949 A \* 5/1949 Gilowitz ..... 239/44

2,897,554 A \* 8/1959 Myrick ..... 422/305  
D195,914 S \* 8/1963 Luedtke ..... D23/356  
D196,086 S \* 8/1963 Stolarz ..... D23/356  
3,123,303 A \* 3/1964 Dearling ..... 239/51.5  
3,188,007 A \* 6/1965 Myklebust ..... 239/215  
D201,721 S \* 7/1965 Katzman ..... D23/356  
D235,450 S \* 6/1975 Chapman ..... D23/362  
D265,924 S \* 8/1982 Gehlke ..... D23/355  
D316,598 S \* 4/1991 Morooka ..... D23/356  
D374,923 S \* 10/1996 Moore ..... D23/360  
D422,692 S \* 4/2000 Quinones ..... D23/367  
D449,877 S \* 10/2001 Delmenico et al. .... D23/356

\* cited by examiner

*Primary Examiner*—Sandra Snapp

(74) *Attorney, Agent, or Firm*—Law Office of Sergei Orel, LLC

(57) **CLAIM**

The ornamental design for an aroma diffuser, as shown and described.

**DESCRIPTION**

FIG. 1 is a top view of the aroma diffuser showing my new design;

FIG. 2 is a bottom view thereof;

FIG. 3 is a front view thereof;

FIG. 4 is a rear view thereof;

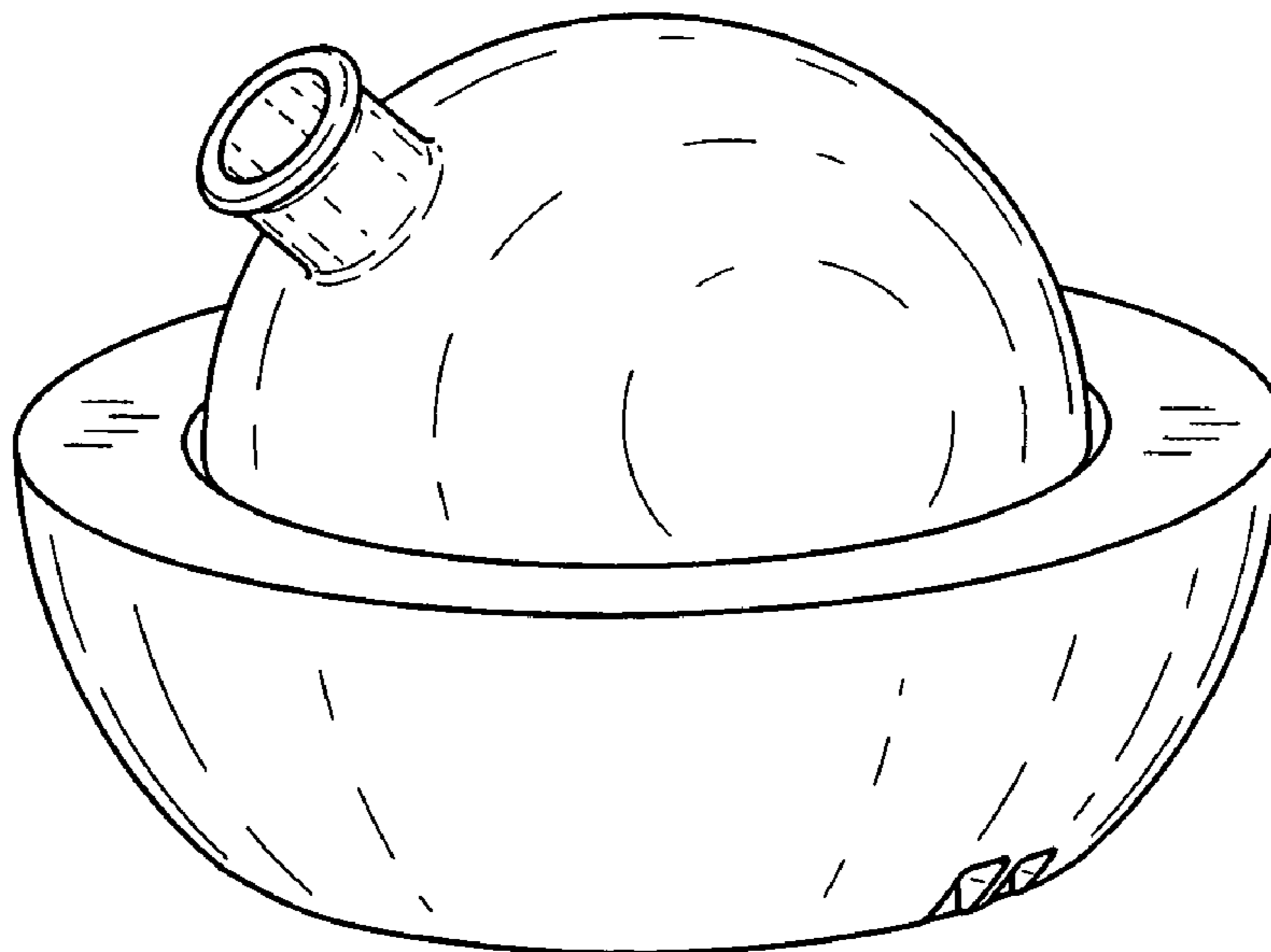
FIG. 5 is a side view thereof;

FIG. 6 is a opposite side view thereof;

FIG. 7 is a perspective view thereof; and,

FIG. 8 is a perspective view in alternative position.

**1 Claim, 4 Drawing Sheets**



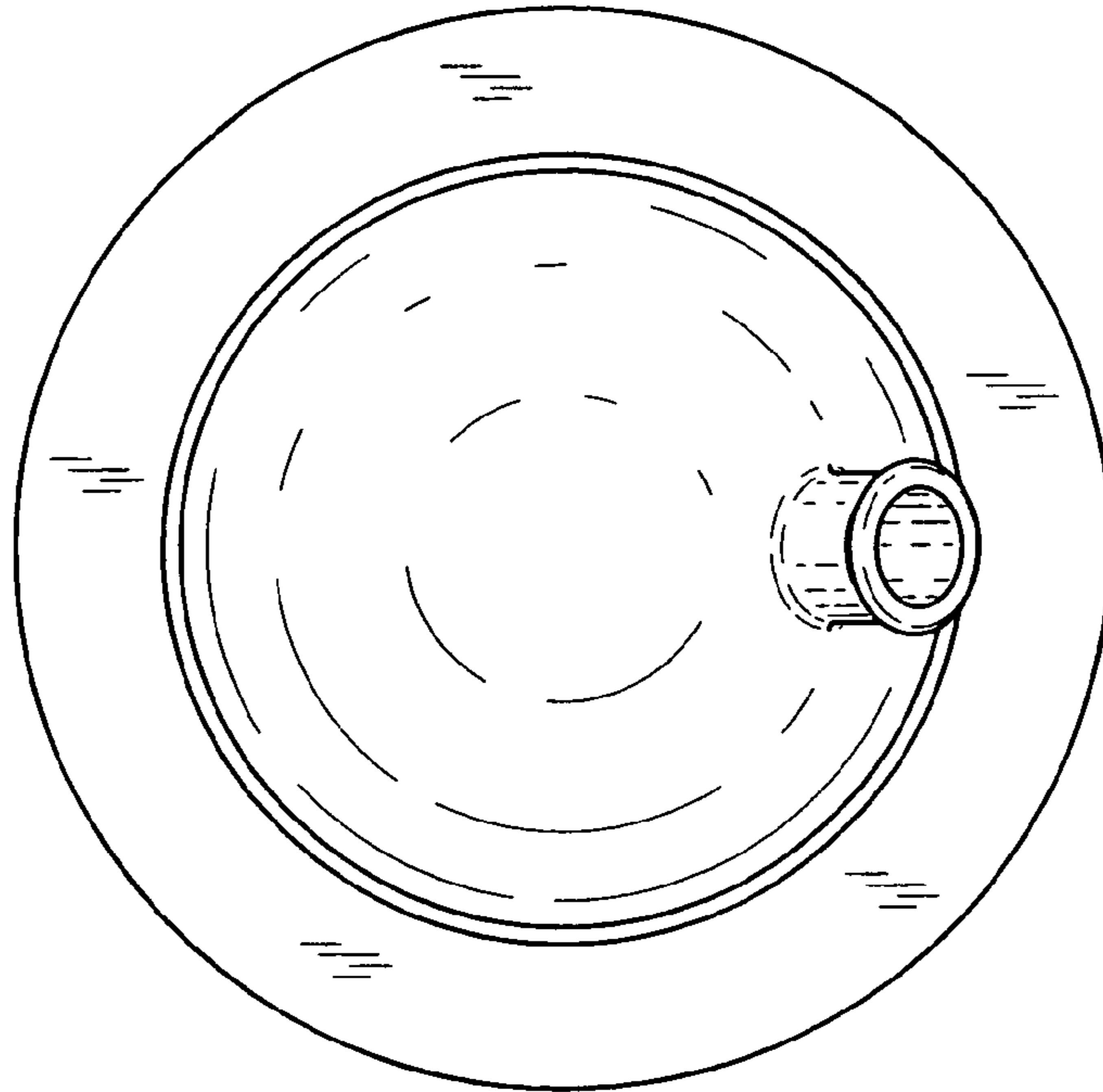


Fig.1

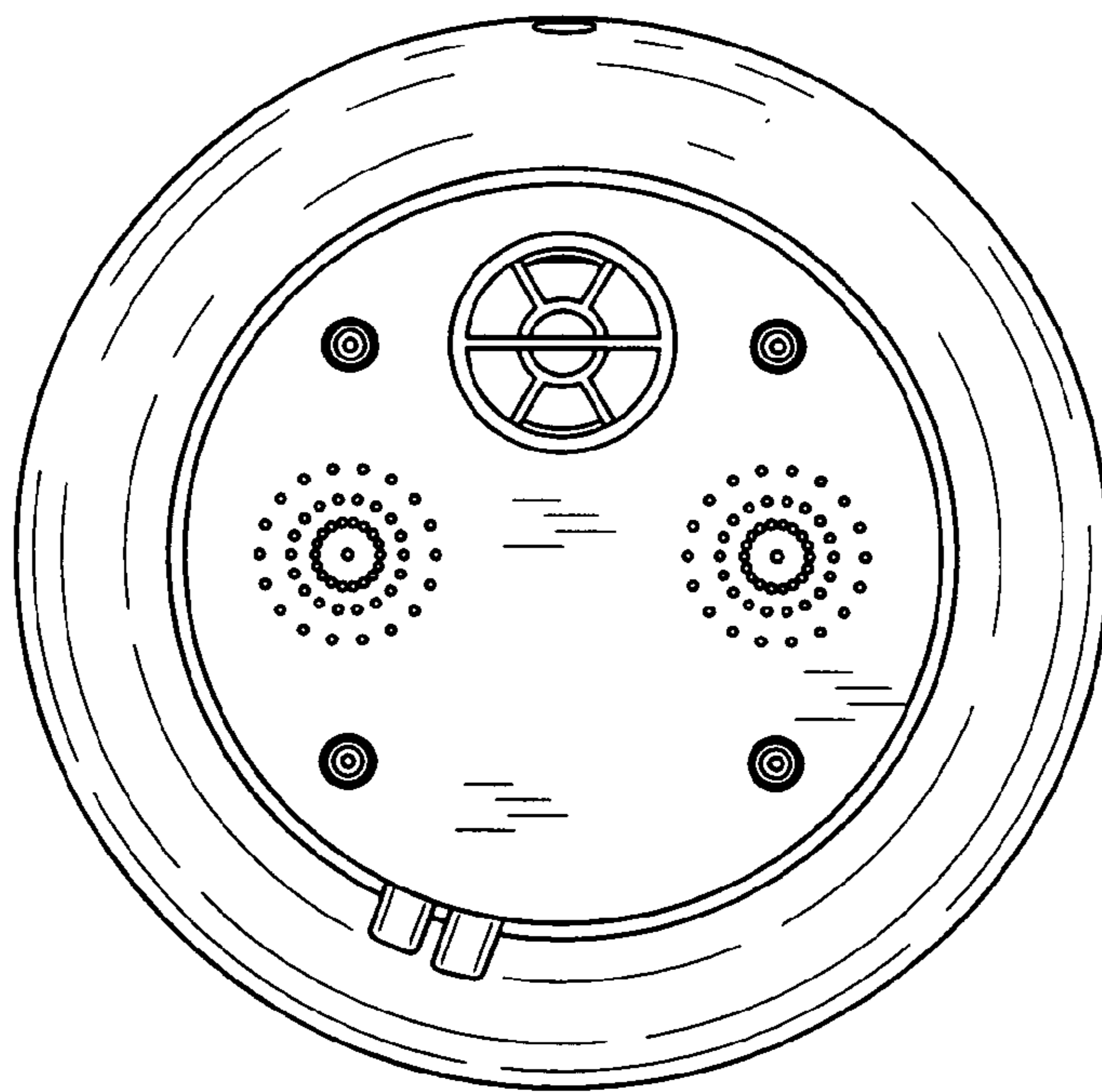


Fig.2

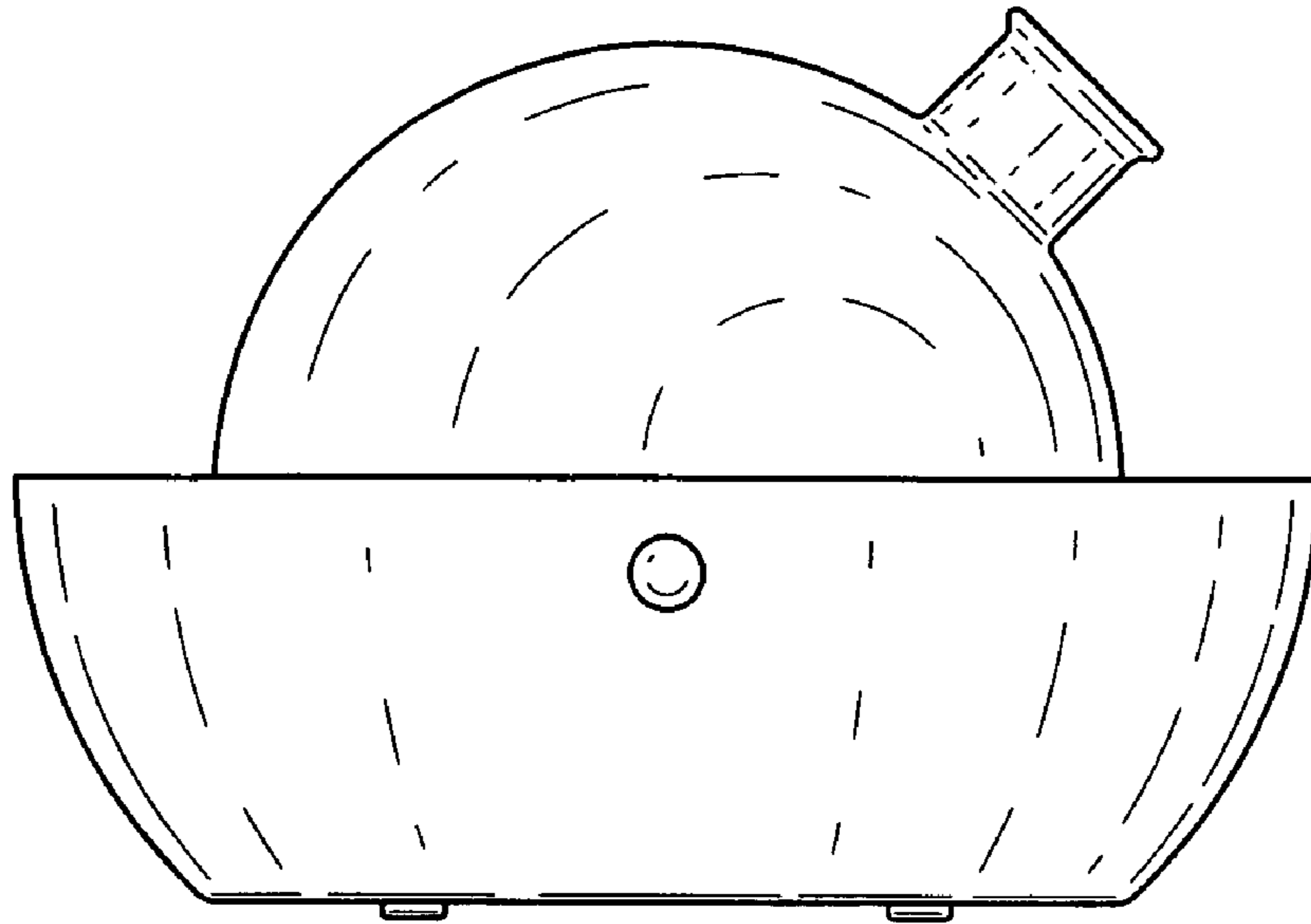


Fig.3

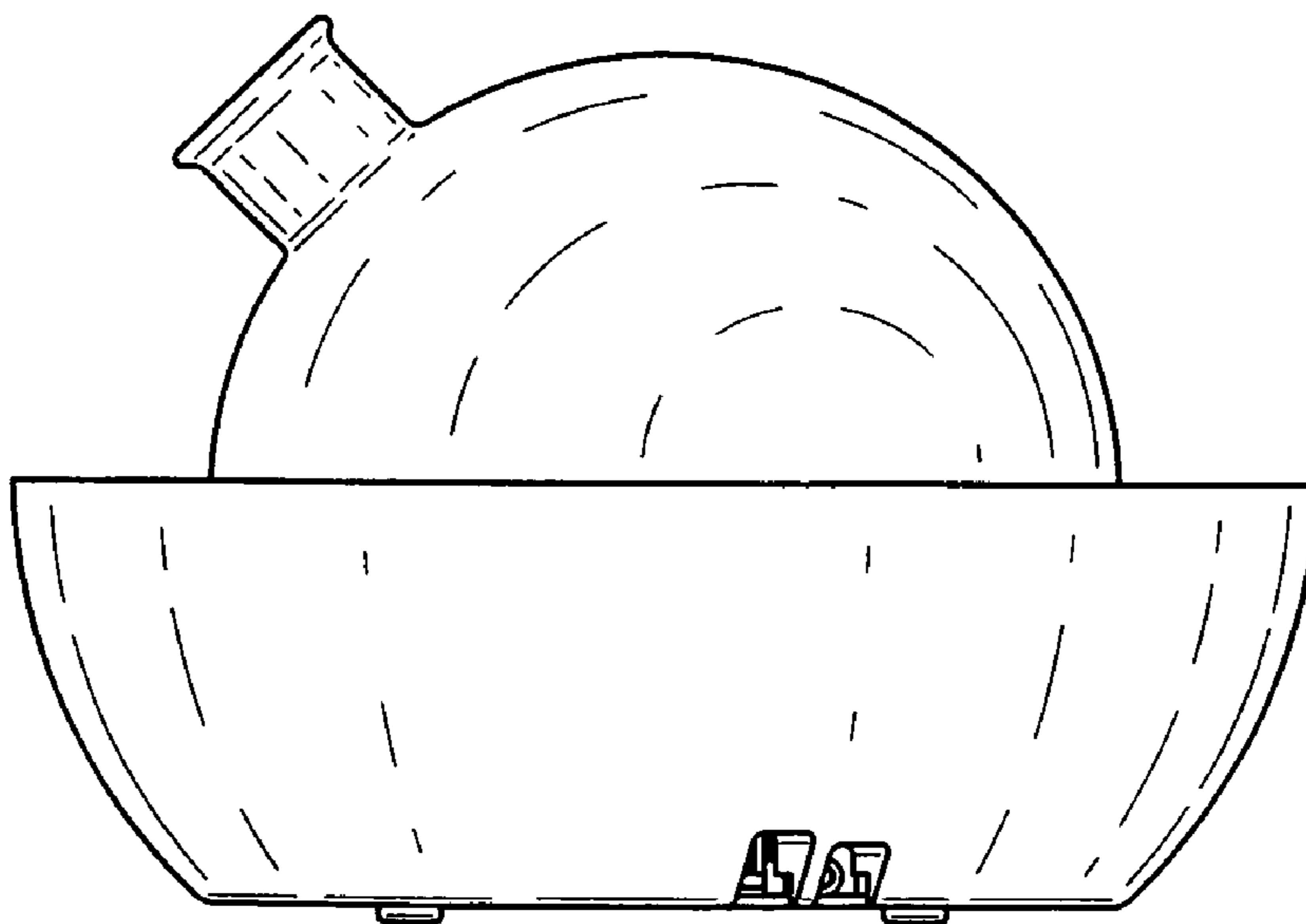


Fig.4

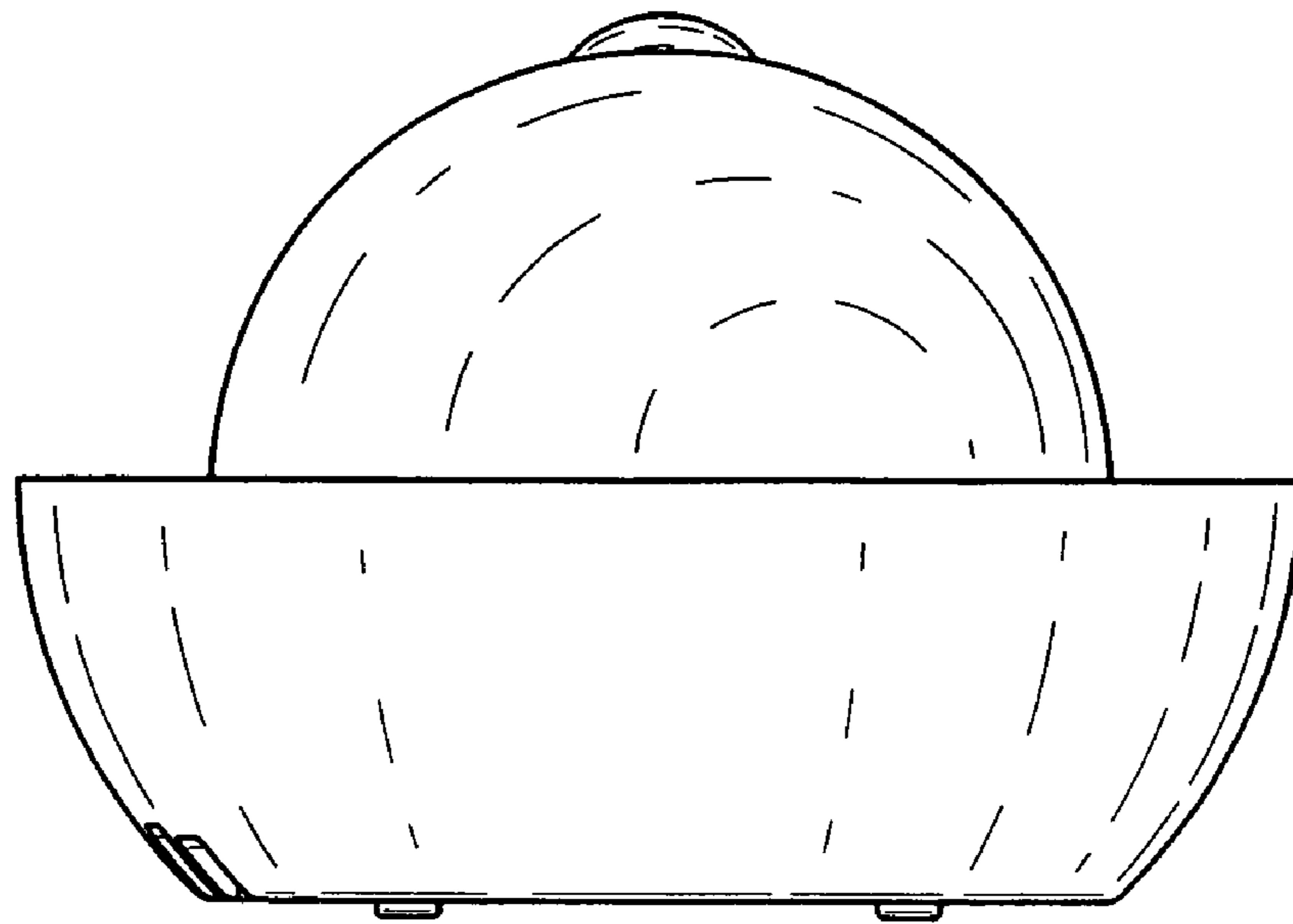


Fig.5

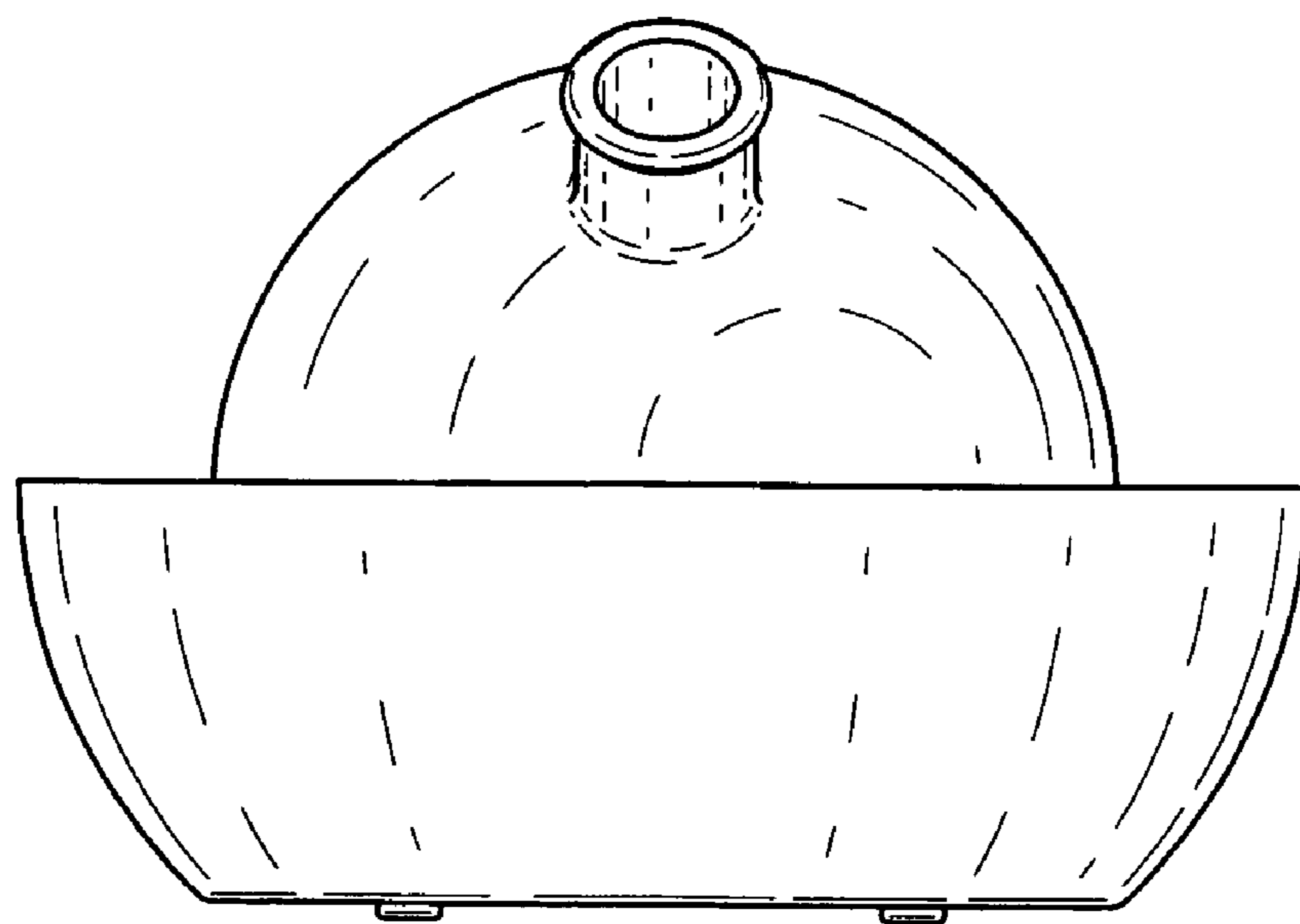


Fig.6

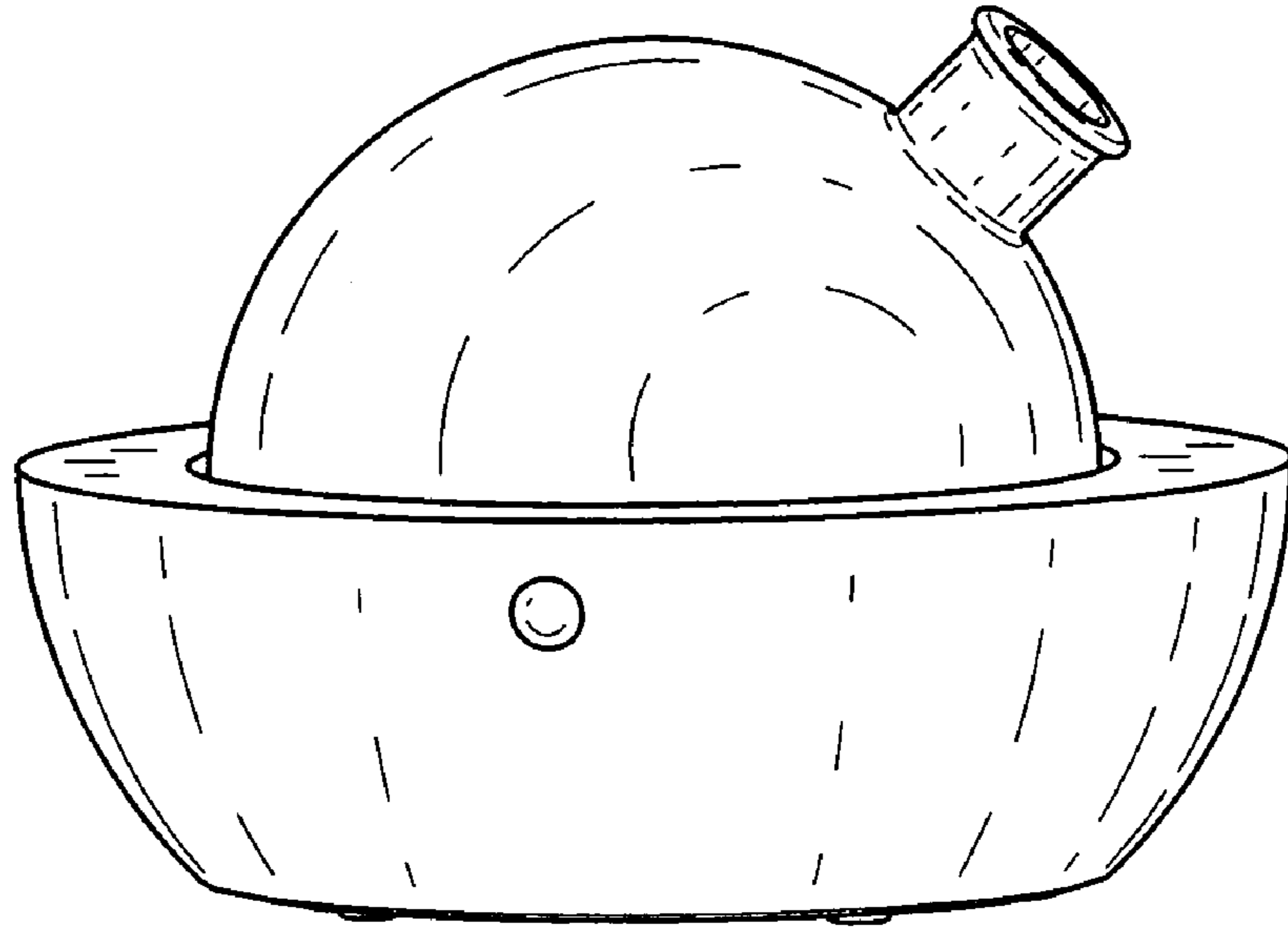


Fig.7

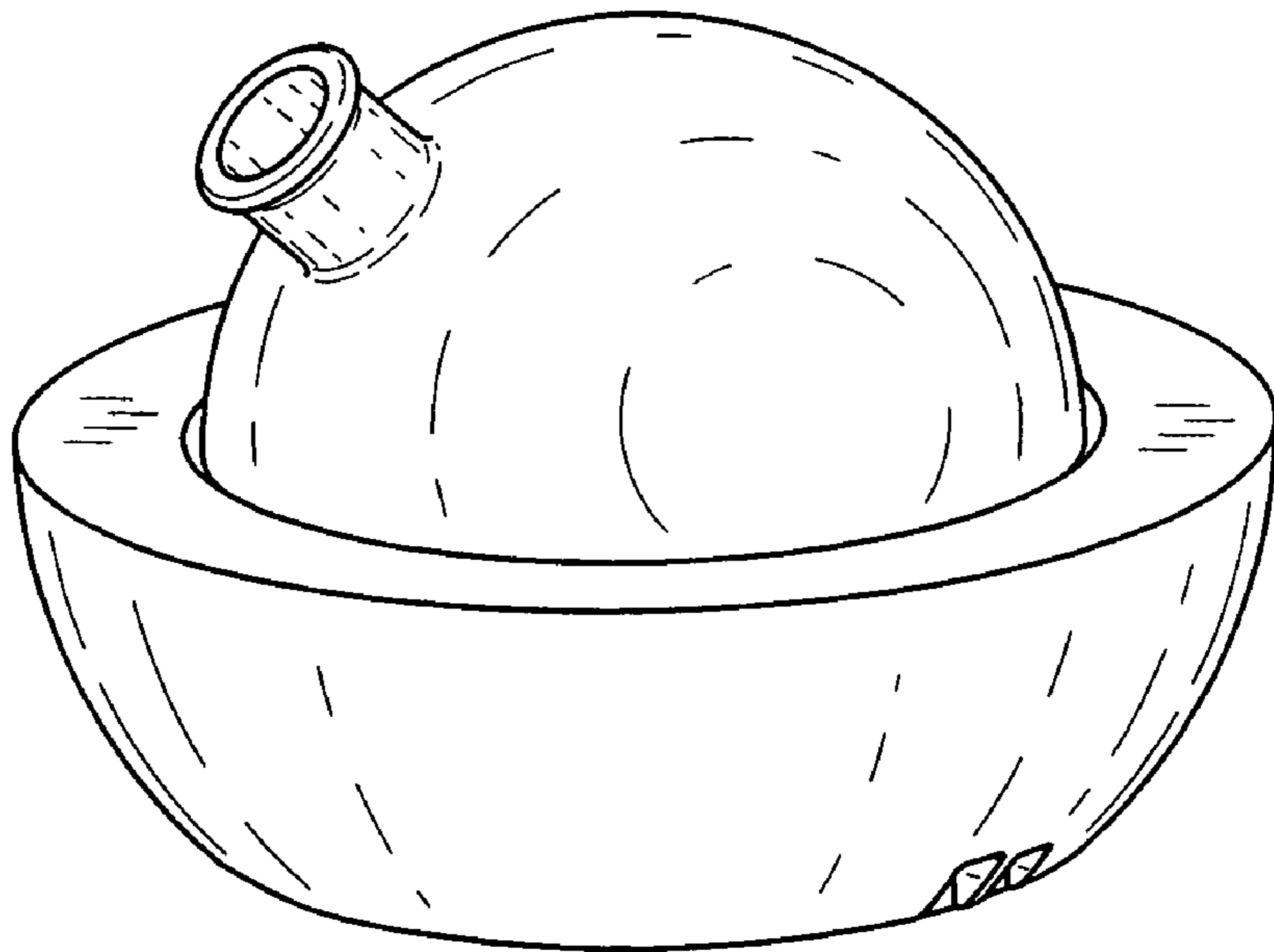


Fig.8