



US00D553226S

(12) **United States Design Patent**  
**Wisek**

(10) **Patent No.:** **US D553,226 S**

(45) **Date of Patent:** **\*\* Oct. 16, 2007**

(54) **SINK TRAP COLLECTION DEVICE**

D529,144 S \* 9/2006 McAlpine ..... D23/268  
2004/0177439 A1\* 9/2004 Nunez ..... 4/679

(76) Inventor: **Dennis E. Wisek**, 3530 Lawrence La.,  
Northbrook, IL (US) 60062

\* cited by examiner

(\*\*) Term: **14 Years**

*Primary Examiner*—Louis S. Zarfaz  
*Assistant Examiner*—Eric L. Goodman

(21) Appl. No.: **29/243,978**

(74) *Attorney, Agent, or Firm*—Robert A. Brown

(22) Filed: **Dec. 2, 2005**

(57) **CLAIM**

(51) **LOC (8) Cl.** ..... **23-01**

The ornamental design for a sink trap collection device, as shown and described.

(52) **U.S. Cl.** ..... **D23/268**

(58) **Field of Classification Search** ..... D23/209,  
D23/266, 268; 4/290–292, 679, 681; 137/247.35,  
137/247.39, 375; 138/149, 158; 285/134.1,  
285/135.2; 210/447; 428/99  
See application file for complete search history.

**DESCRIPTION**

(56) **References Cited**

U.S. PATENT DOCUMENTS

D46,789	S	*	12/1914	Maynard	.....	D23/268
1,503,118	A	*	7/1924	De Leeuw	.....	210/447
2,166,279	A	*	7/1939	Bathuel	.....	210/94
3,651,826	A	*	3/1972	Kojima	.....	137/247.35
D277,305	S	*	1/1985	Grube	.....	D23/209
D280,925	S	*	10/1985	Farnen	.....	D23/268
D285,958	S	*	9/1986	Koizumi et al.	.....	D23/209
D461,234	S	*	8/2002	Hanna	.....	D23/268
D467,648	S	*	12/2002	Delva	.....	D23/268
D477,383	S	*	7/2003	Desjoyaux et al.	.....	D23/209
D501,533	S	*	2/2005	Robinson et al.	.....	D23/209

FIG. 1 is an elevational perspective view of a sink trap collection device showing my new design;  
FIG. 2 is a front side elevational view thereof;  
FIG. 3 is a back side elevational view thereof;  
FIG. 4 is a top plan view thereof;  
FIG. 5 is a left side elevational view thereof, and a right side elevational view is a mirror image thereof;  
FIG. 6 is a bottom side plan view thereof; and,  
FIG. 7 is an exploded, perspective view thereof.

The broken line showing in FIG. 1 is included for the purpose of illustrating environmental structure and forms no part of the claimed design.

**1 Claim, 3 Drawing Sheets**

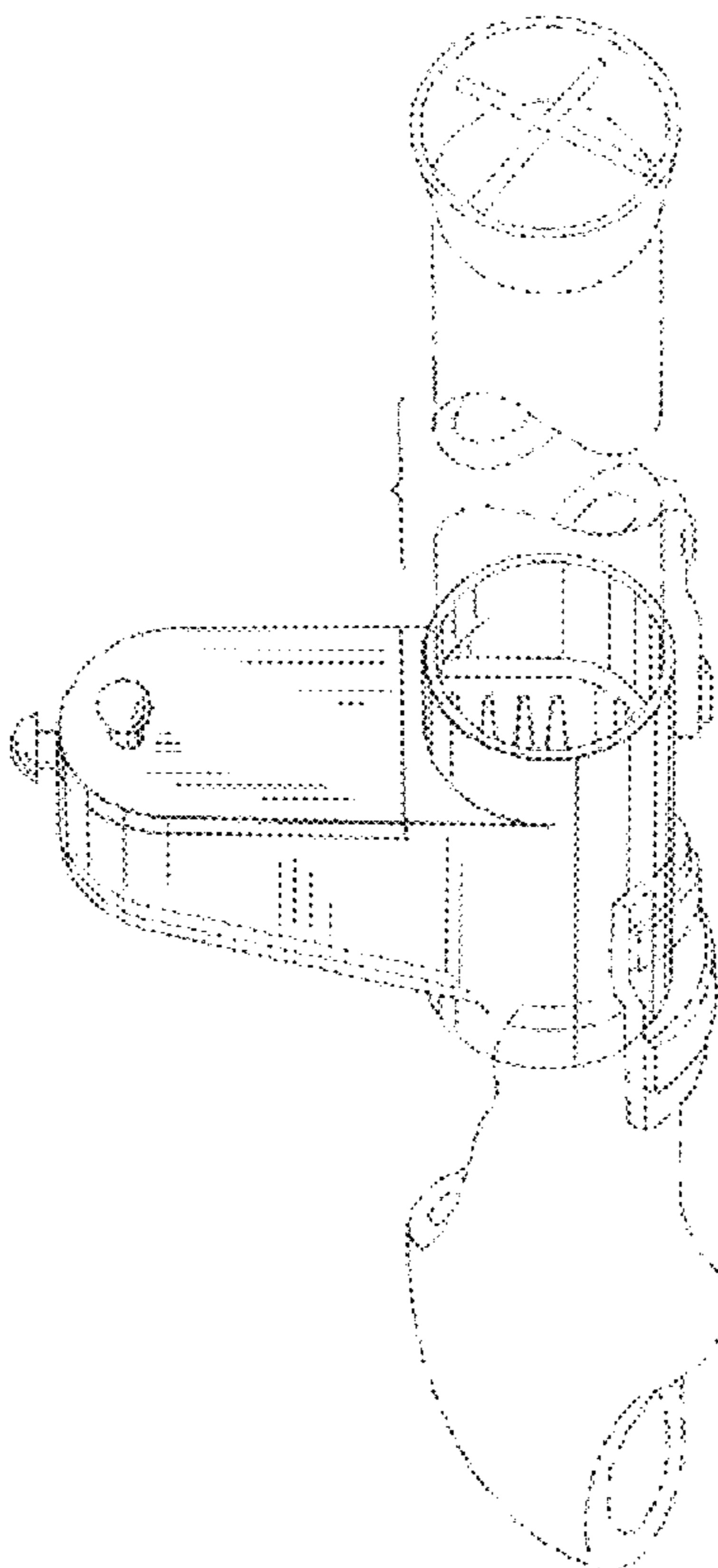


FIG. 1

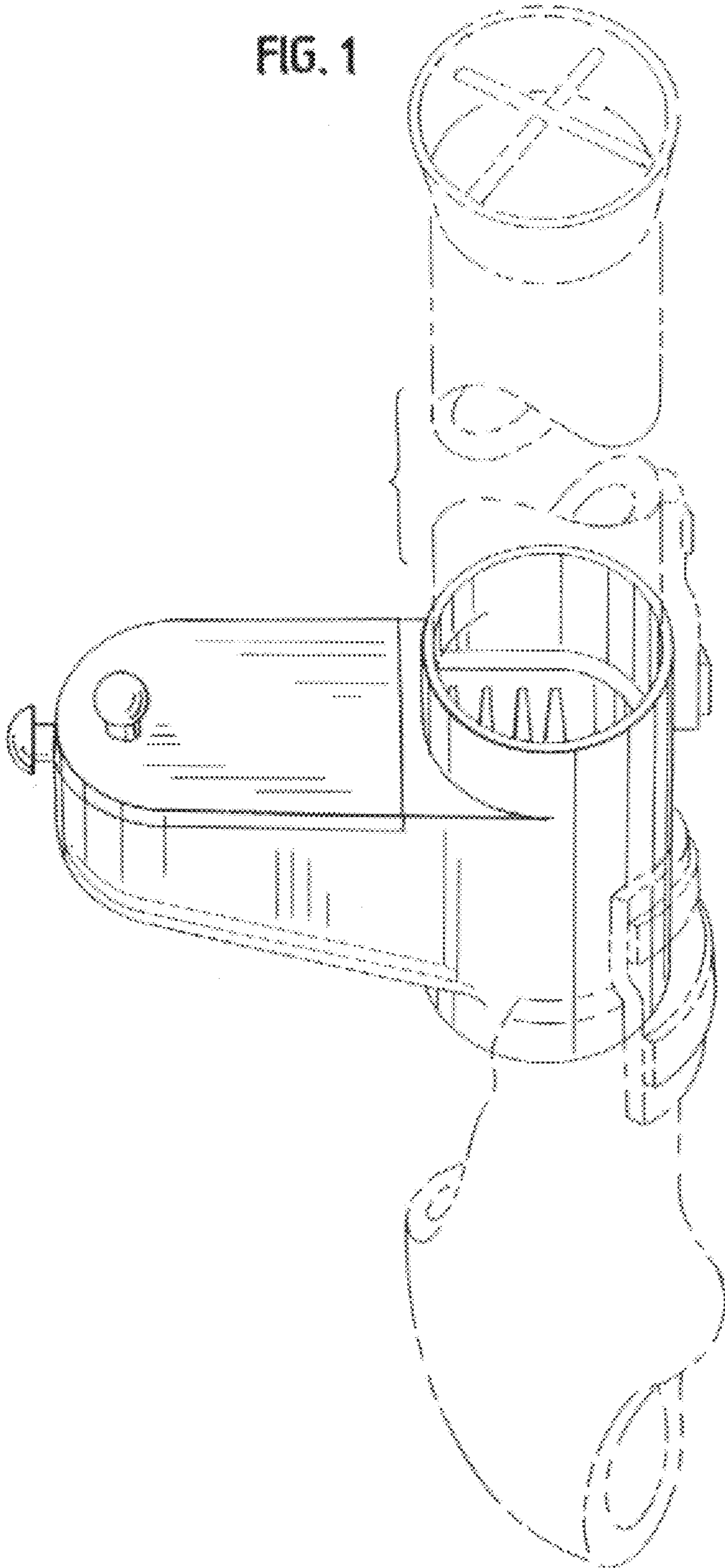


FIG. 2

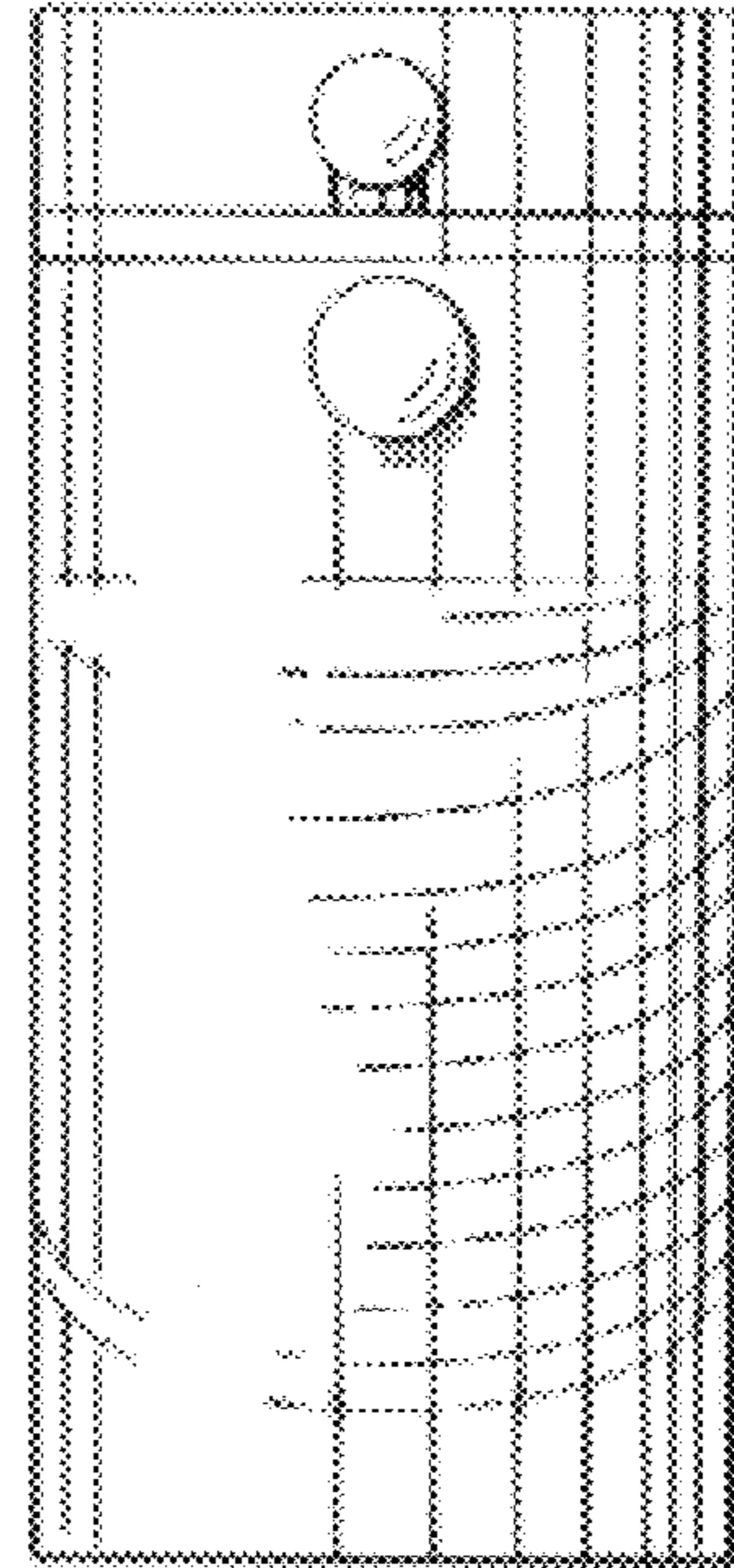


FIG. 3

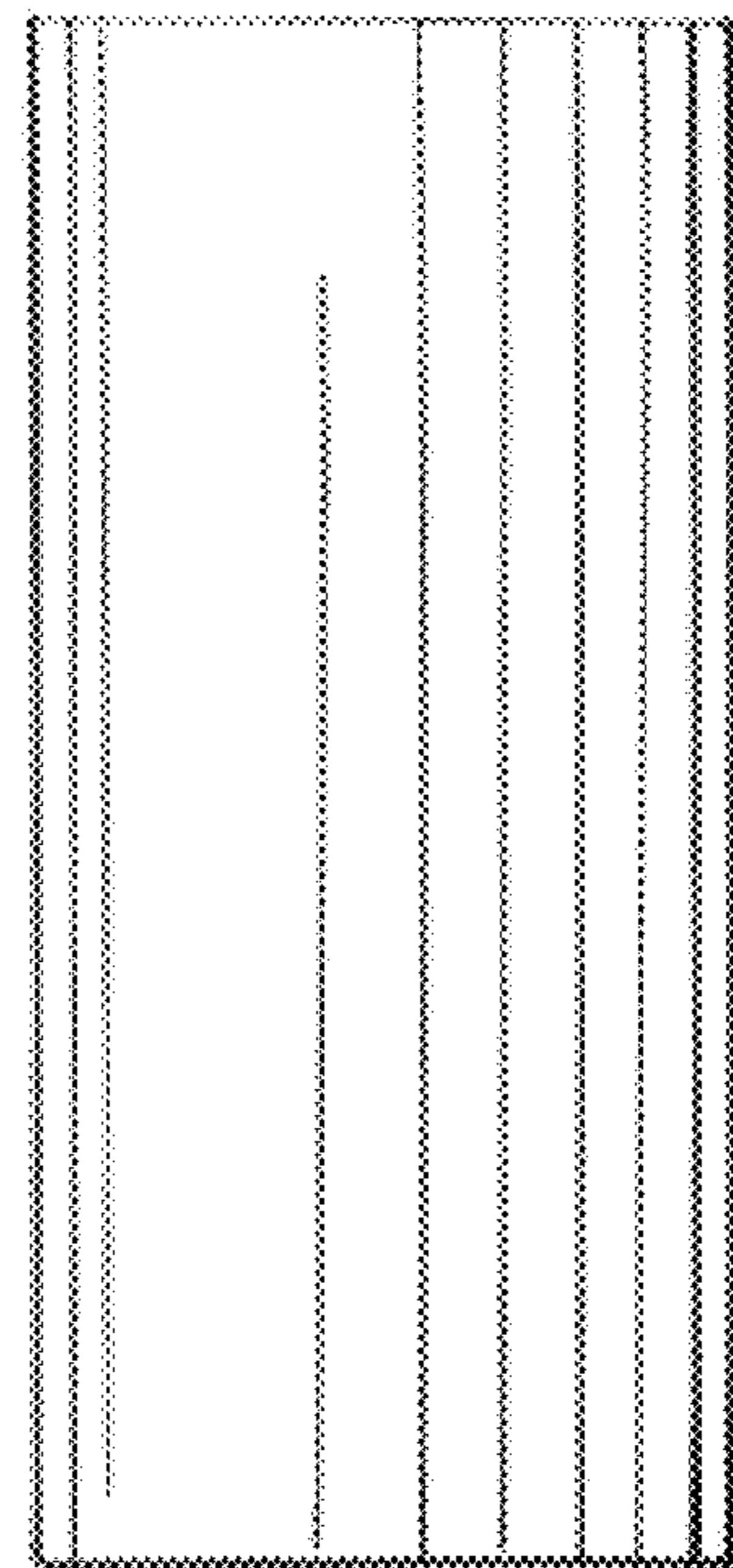


FIG. 4

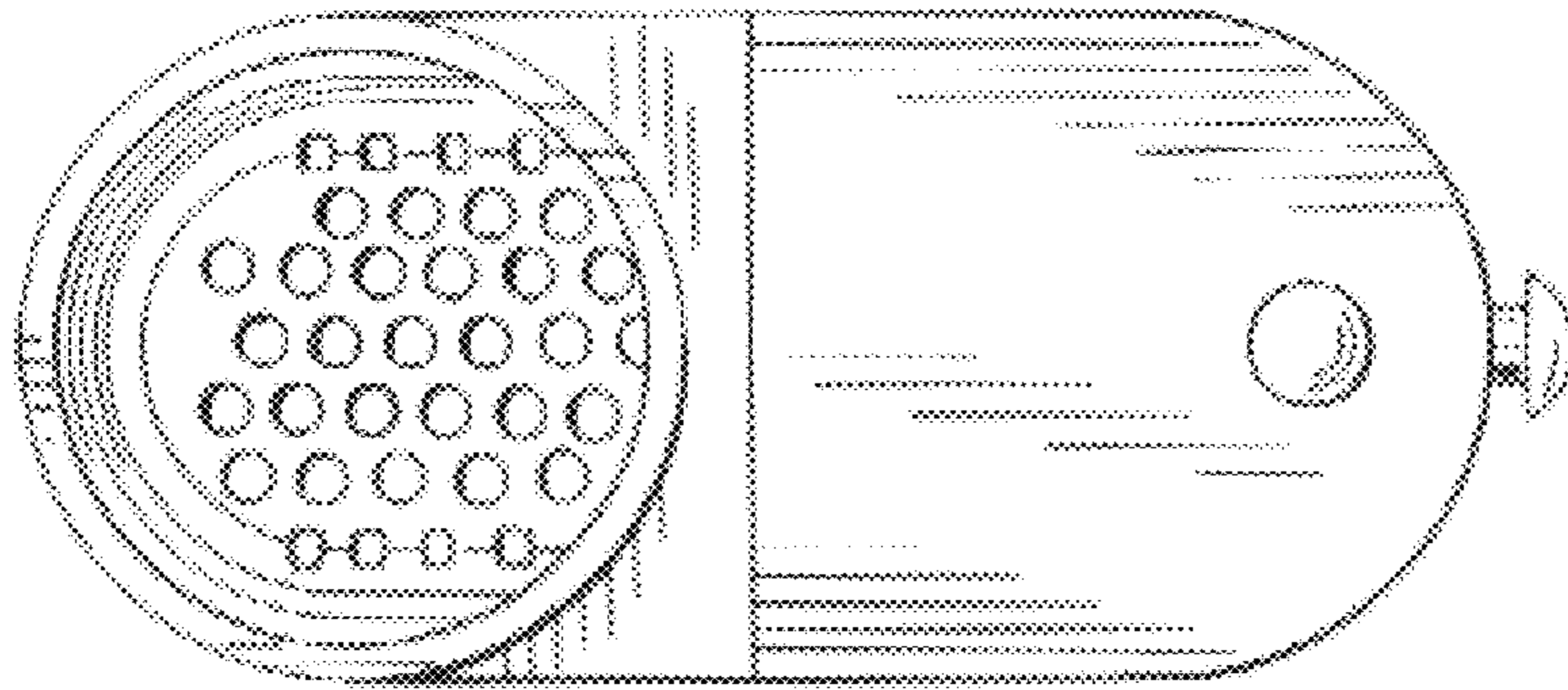


FIG. 5

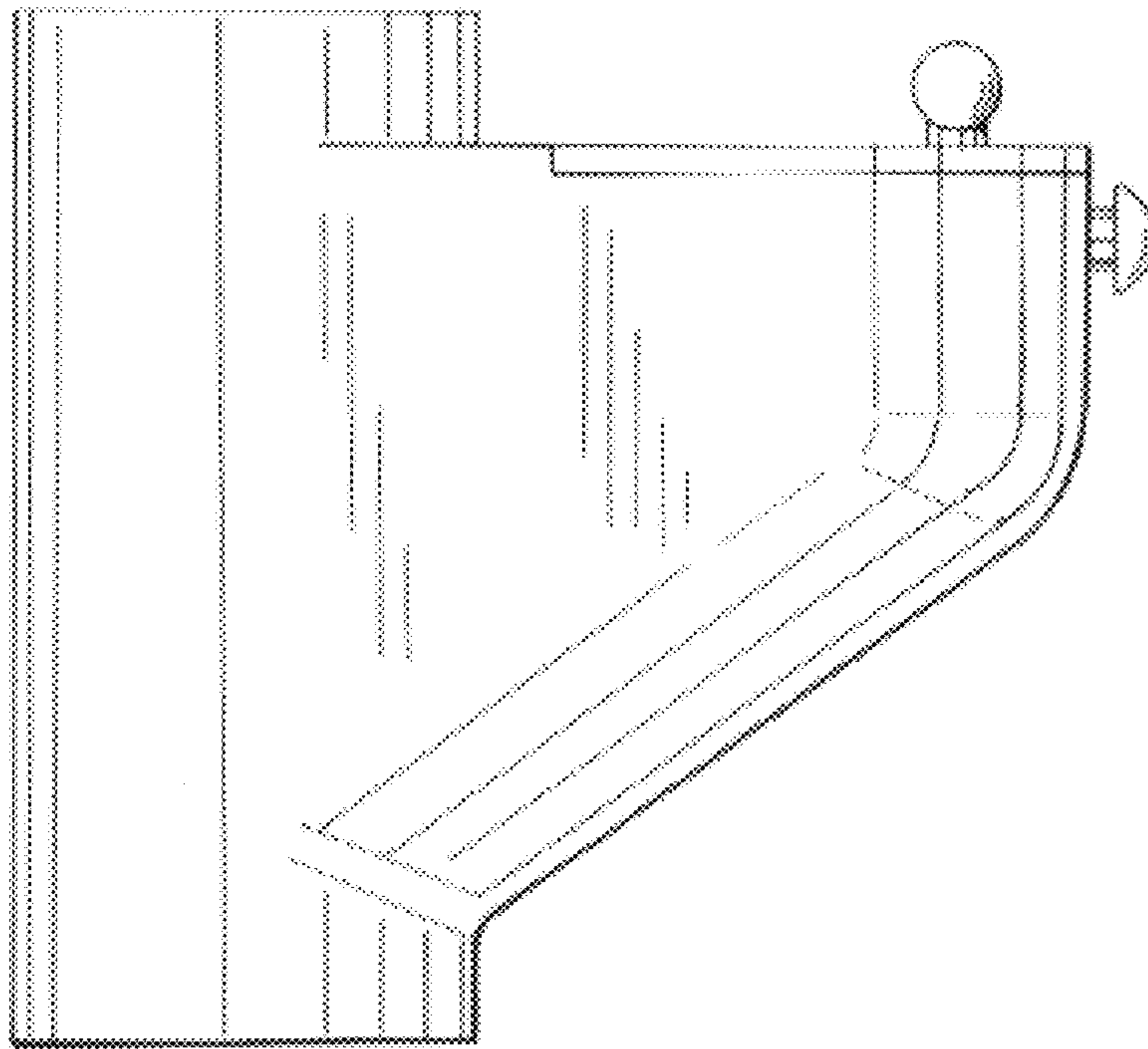


FIG. 6

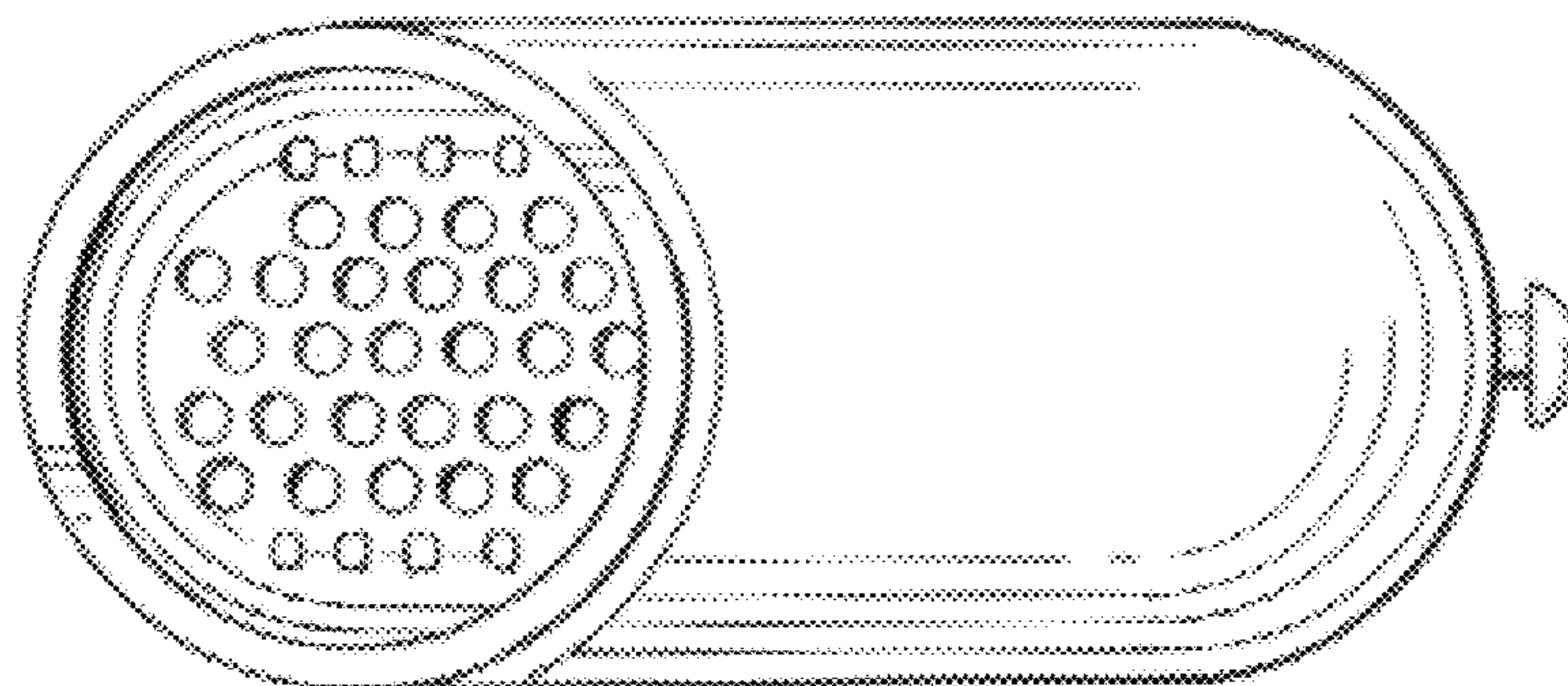


FIG. 7

