



US00D553225S

(12) **United States Design Patent**
Wolf

(10) **Patent No.:** **US D553,225 S**

(45) **Date of Patent:** **** Oct. 16, 2007**

(54) **SCENTED SINK STRAINER**

2004/0073992 A1* 4/2004 Saman et al. 4/287
2007/0000037 A1* 1/2007 Wolf 4/286

(75) Inventor: **Thomas H. Wolf**, Highland Park, IL
(US)

* cited by examiner

(73) Assignee: **Bath Solutions, Inc.**, Bensenville, IL
(US)

Primary Examiner—Louis S. Zarfes

Assistant Examiner—Eric L Goodman

(74) *Attorney, Agent, or Firm*—Cook, Alex, McFarron,
Manzo, Cummings & Mehler Ltd.

(**) Term: **14 Years**

(21) Appl. No.: **29/237,902**

(57) **CLAIM**

(22) Filed: **Sep. 8, 2005**

The ornamental design for a scented sink strainer, as shown
and described.

(51) **LOC (8) Cl.** **23-01**

(52) **U.S. Cl.** **D23/261**

(58) **Field of Classification Search** D23/303–311,
D23/259–261; 4/286–295, 688–689; 210/163–164;
220/257; D9/438

See application file for complete search history.

DESCRIPTION

FIG. 1 is a top perspective view of the design for a scented
sink strainer according to my invention.

FIG. 2 is a front view of the design of FIG. 1 and the rear
view of FIG. 1 is a mirror image of the front view, and,
therefore, has been omitted

FIG. 3 is a left side view of the design of FIG. 1 and the right
side view of FIG. 1 is a mirror image of the left side view,
and, therefore, has been omitted.

FIG. 4 is a top view of the design FIG. 1.

FIG. 5 is a bottom view of the design of FIG. 1; and,

FIG. 6 is a top perspective view of the design a scented sink
strainer according to my invention wherein the plunger is
raised.

(56) **References Cited**

U.S. PATENT DOCUMENTS

2,739,317	A *	3/1956	Abresch	4/679
3,104,400	A *	9/1963	Lantz et al.	4/287
3,596,294	A *	8/1971	Hoffman	4/287
4,320,540	A *	3/1982	Leavens	4/287
D441,848	S *	5/2001	Huang	D23/261
D507,821	S *	7/2005	Colpitts et al.	D23/261
D517,175	S *	3/2006	Holsen	D23/261
D517,664	S *	3/2006	Hill	D23/261
7,013,500	B1 *	3/2006	Lin	4/287

1 Claim, 3 Drawing Sheets

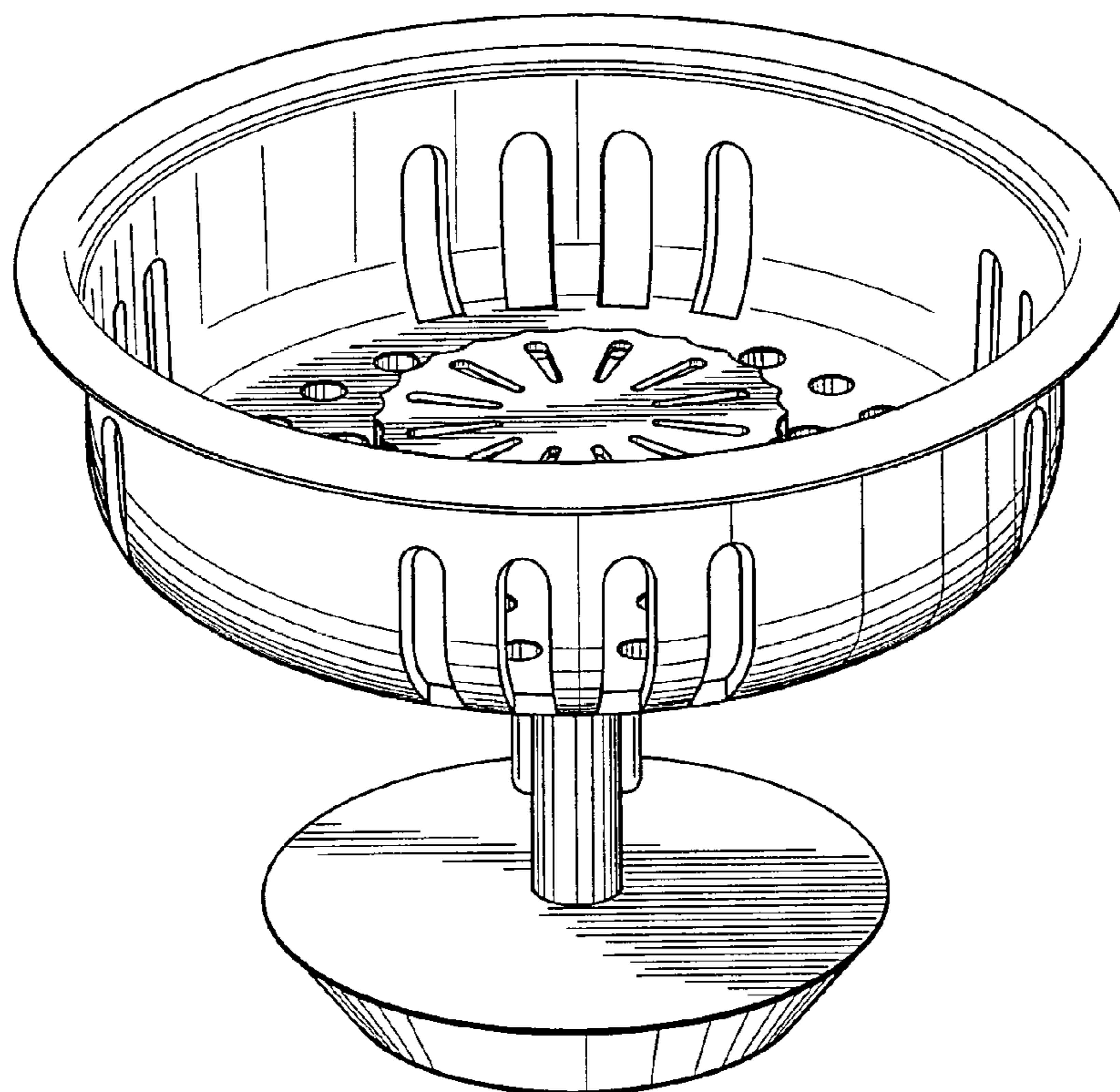


Fig. 1

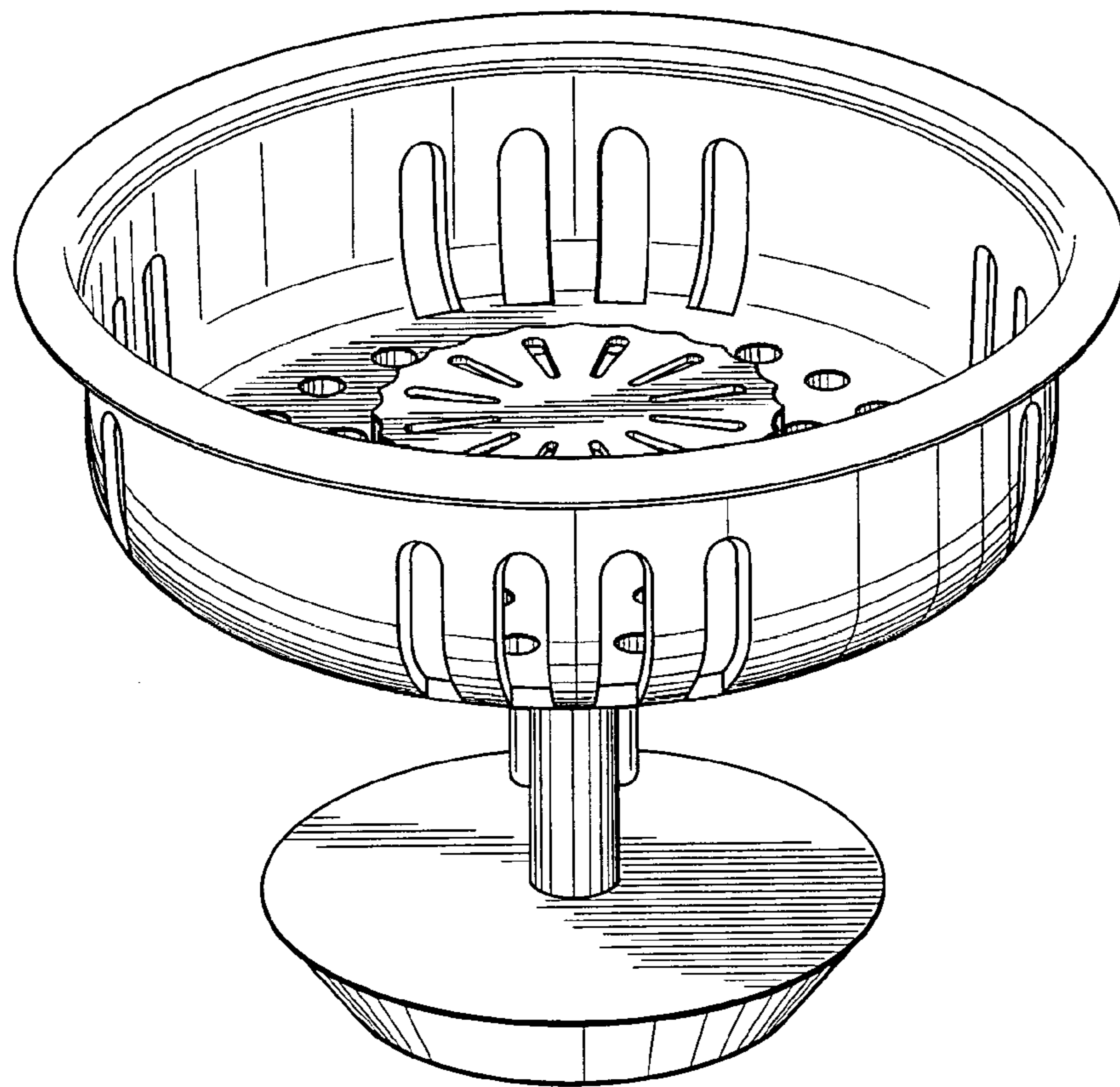


Fig. 2

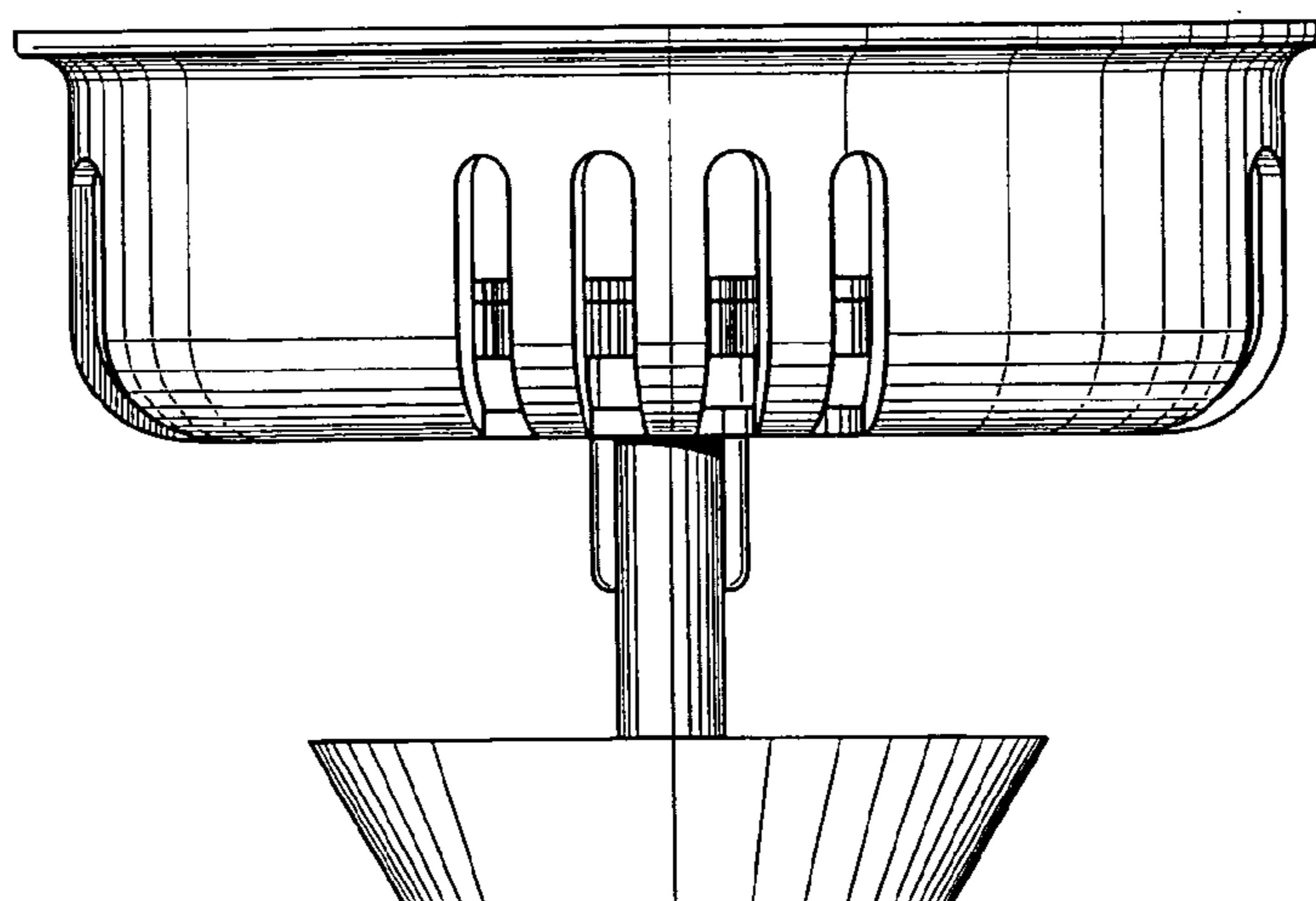


Fig. 3

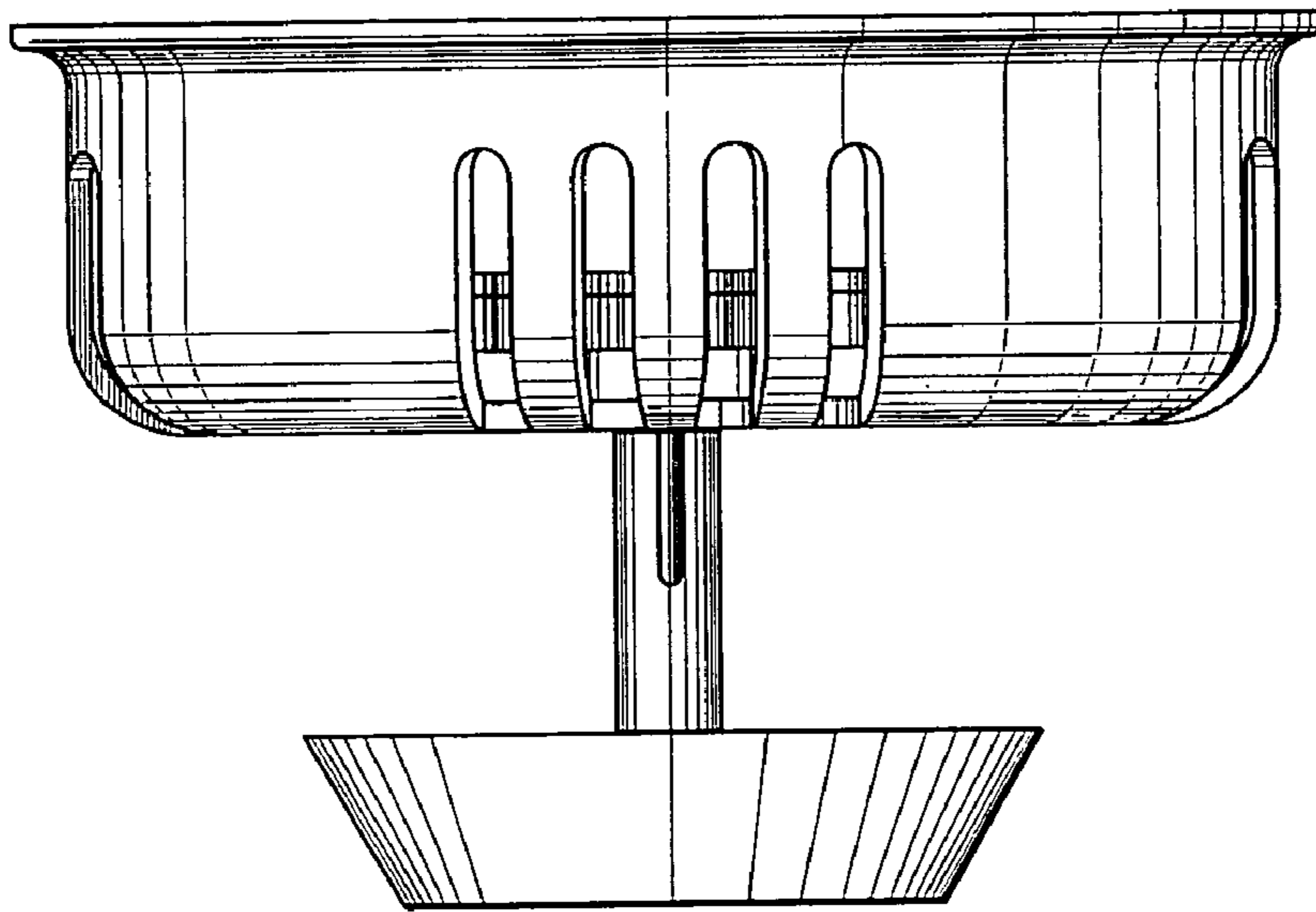


Fig. 4

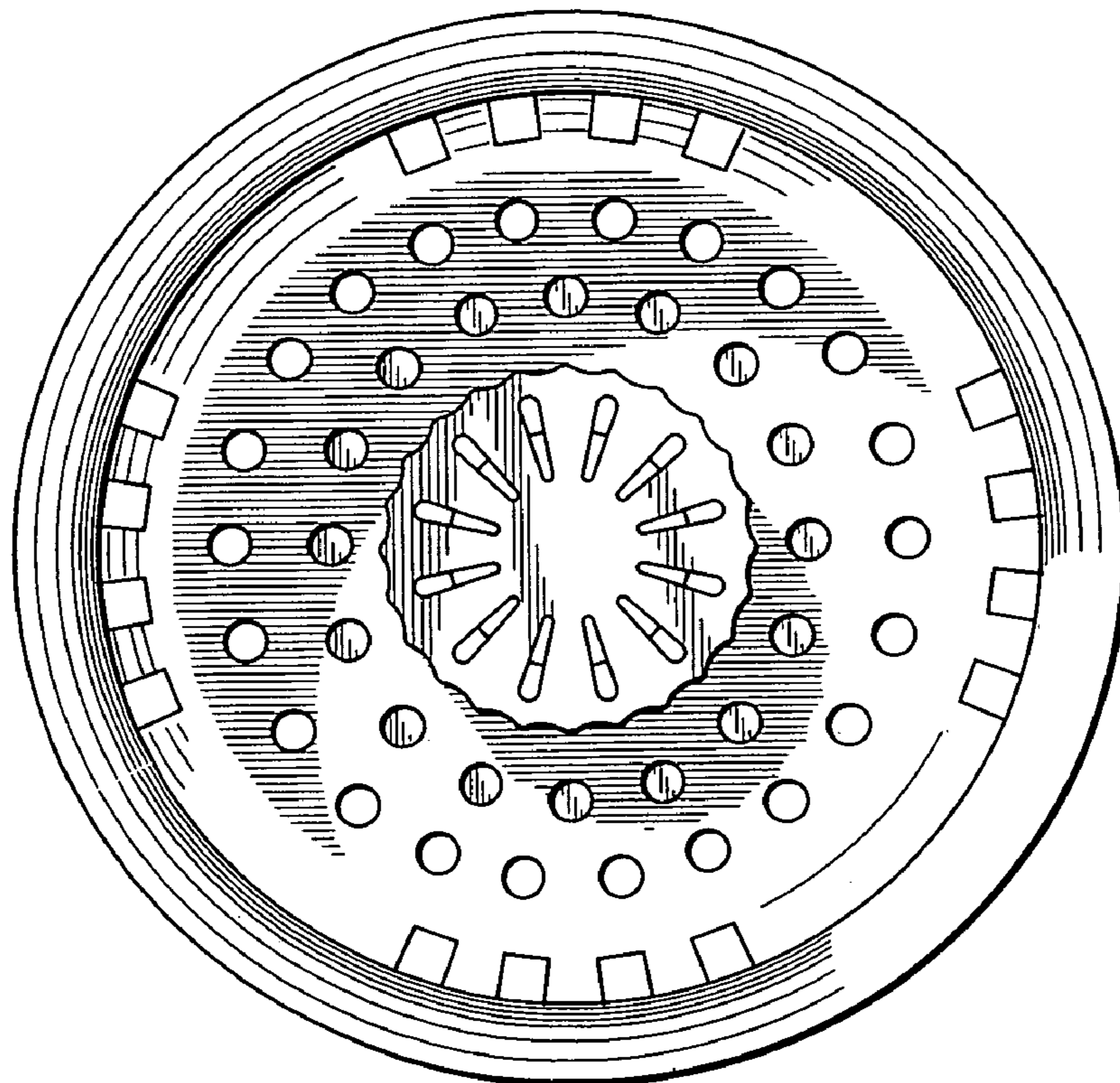


Fig. 5

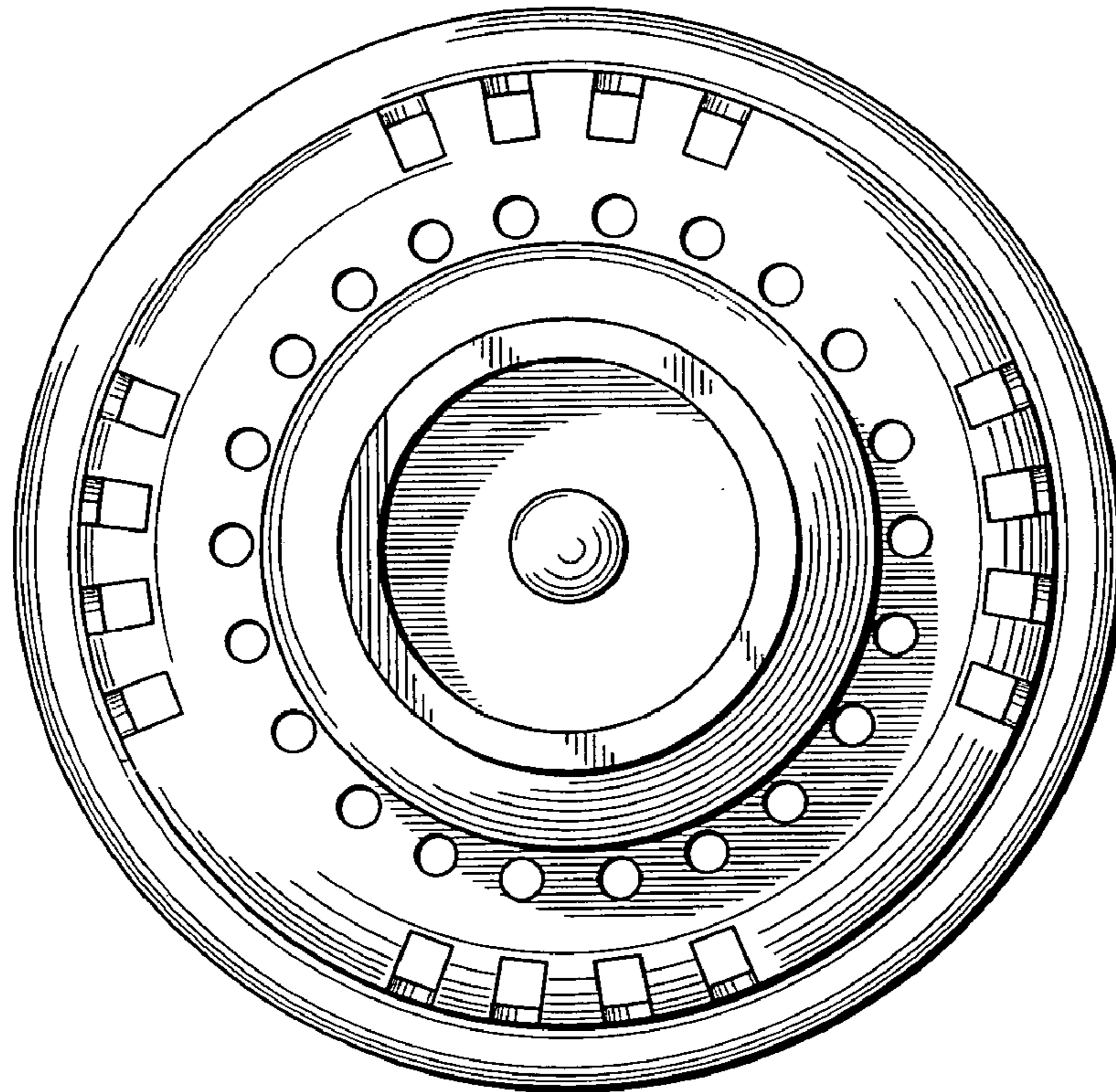


Fig. 6

