



US00D553221S

(12) **United States Design Patent**
Rustowicz

(10) **Patent No.:** **US D553,221 S**

(45) **Date of Patent:** **** Oct. 16, 2007**

(54) **FISHERMAN'S KNOT TYING TOOL**

(76) Inventor: **John W. Rustowicz**, P.O. Box 189,
Capac, MI (US) 48014

(**) Term: **14 Years**

(21) Appl. No.: **29/239,394**

(22) Filed: **Sep. 29, 2005**

(51) **LOC (8) Cl.** **22-05**

(52) **U.S. Cl.** **D22/149**

(58) **Field of Classification Search** D22/149,
D22/134, 199; 43/17.2, 53.5; 289/17; D8/40,
D8/18, 2

See application file for complete search history.

(56) **References Cited**

U.S. PATENT DOCUMENTS

D346,424 S	4/1994	Rustowicz	D22/149
D353,086 S	* 12/1994	Koehler	D22/149
D397,406 S	* 8/1998	Koblegard	D22/149
D518,869 S	* 4/2006	Thomley	D22/149

* cited by examiner

Primary Examiner—Catherine R. Oliver

(74) *Attorney, Agent, or Firm*—Bliss McGlynn, P.C.

(57) **CLAIM**

The ornamental design for a fisherman's knot tying tool, as shown and described.

DESCRIPTION

FIG. 1 is a perspective view of the fisherman's knot tying tool design of the present invention;

FIG. 2 is a rear view thereof;

FIG. 3 is a right-side view thereof;

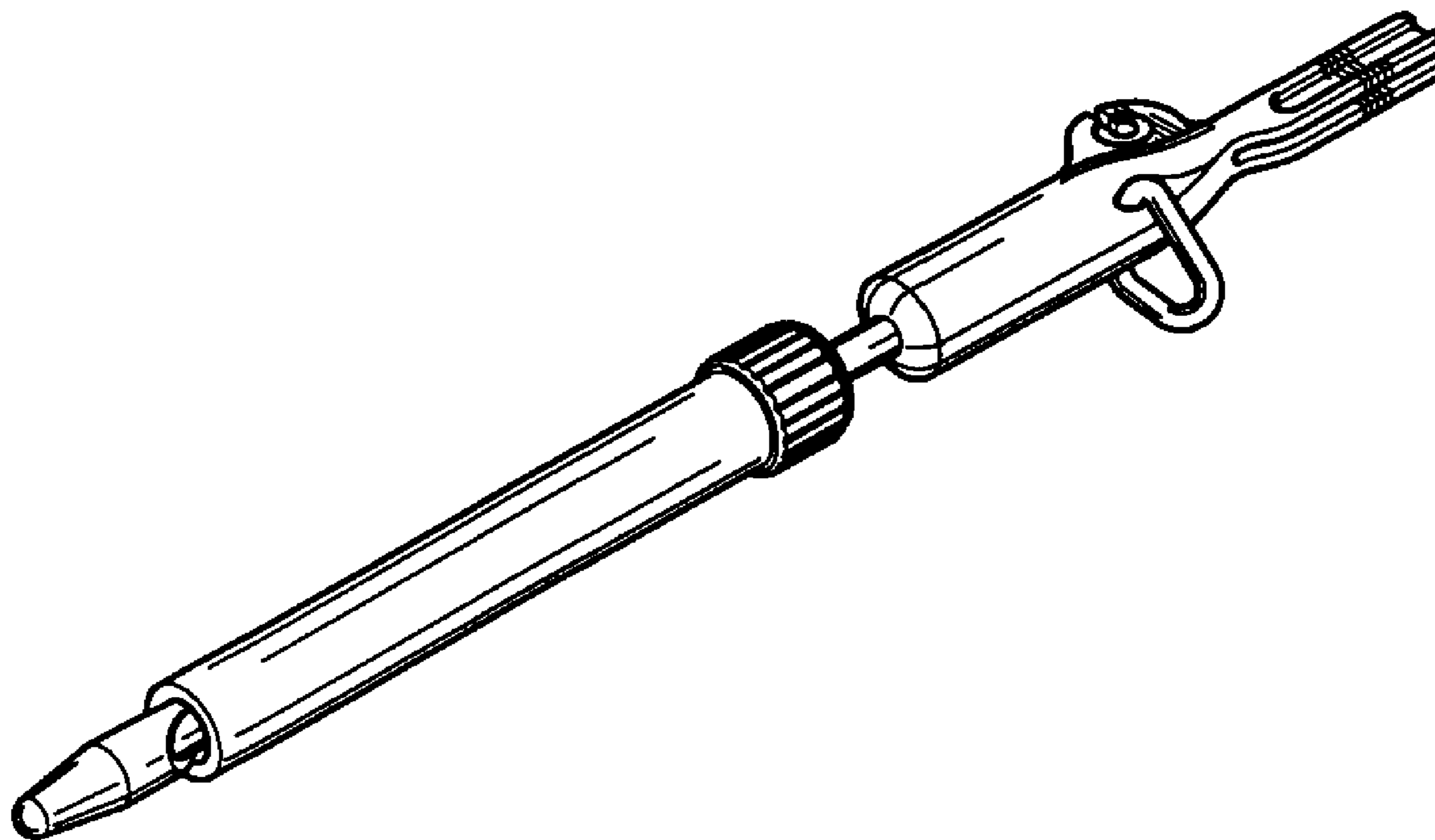
FIG. 4 is a bottom view thereof;

FIG. 5 is a left-side view thereof;

FIG. 6 is a top view thereof; and,

FIG. 7 is a front view thereof.

1 Claim, 1 Drawing Sheet



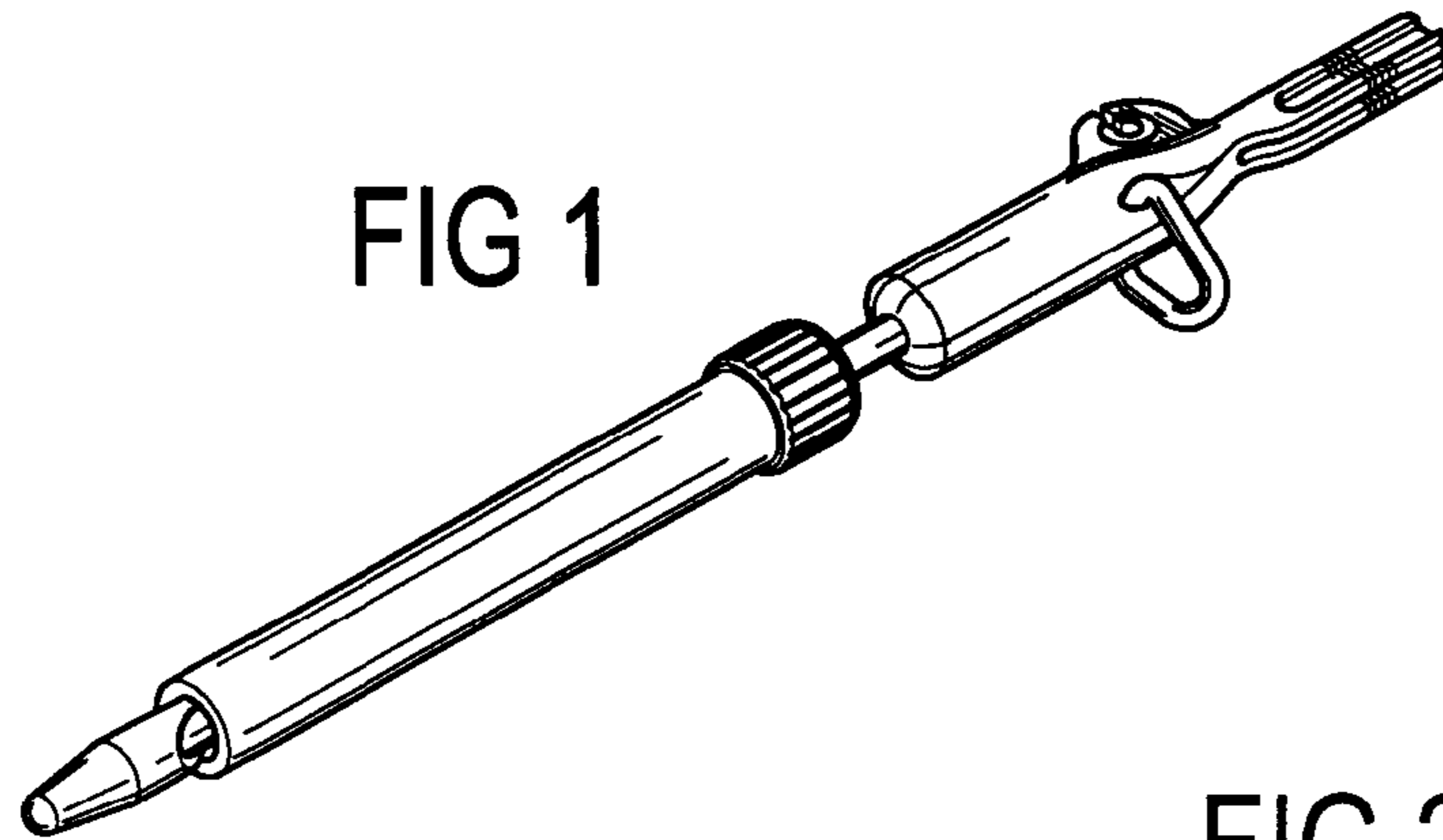


FIG 1

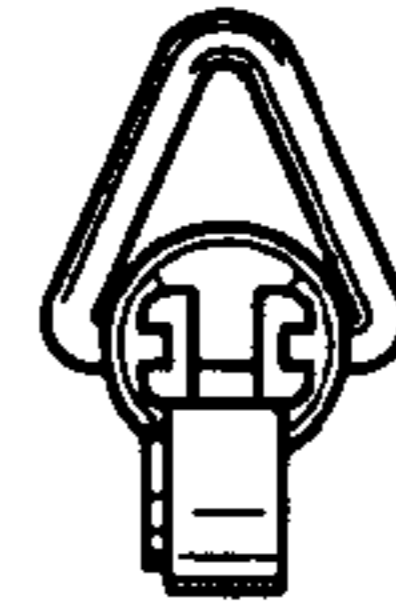


FIG 2

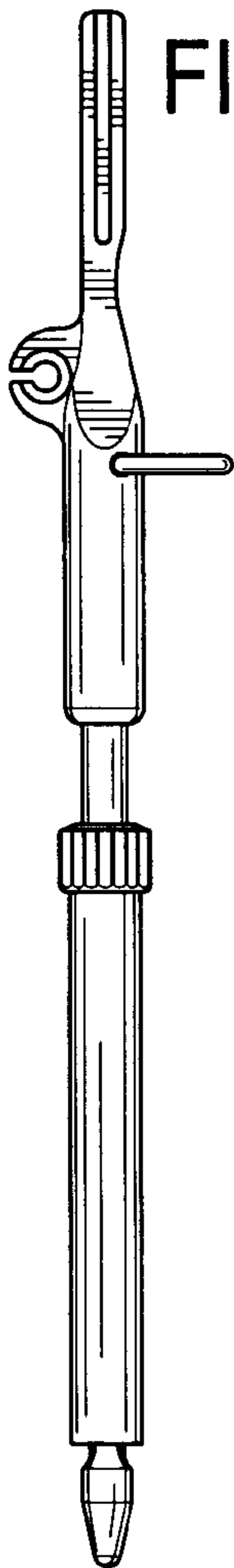


FIG 3

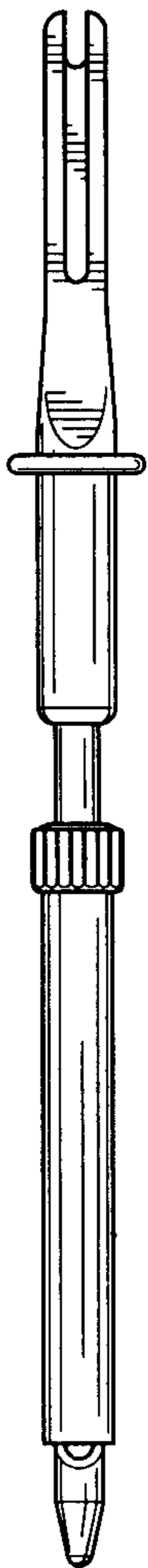


FIG 4

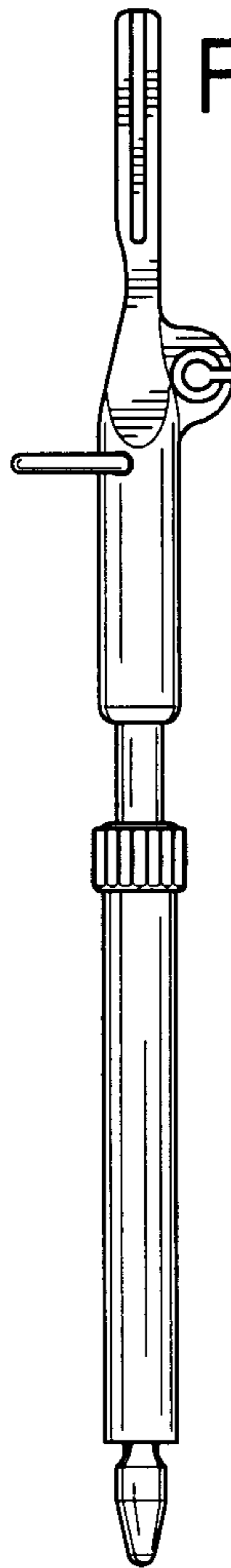


FIG 5

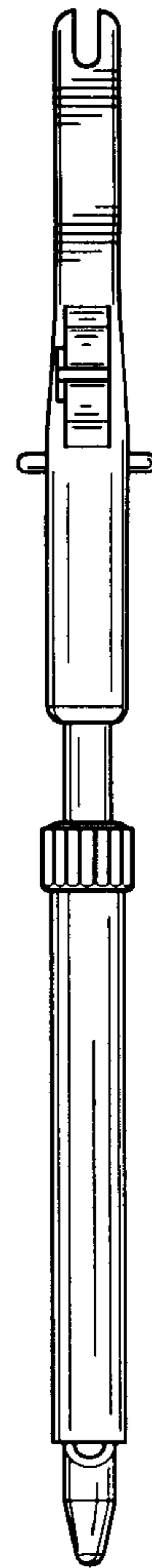


FIG 6

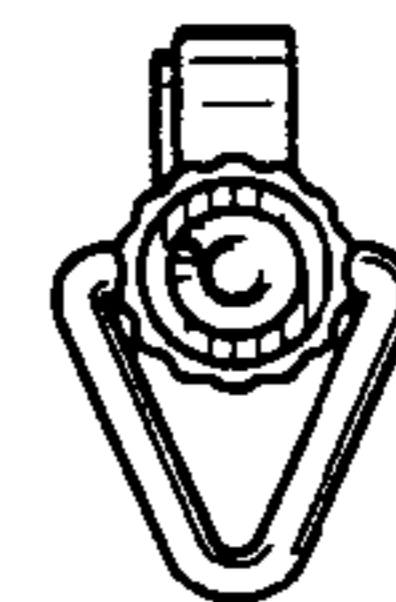


FIG 7