



US00D553219S

(12) **United States Design Patent**
Potterfield

(10) **Patent No.:** **US D553,219 S**
(45) **Date of Patent:** **** Oct. 16, 2007**

(54) **FIREARM SUPPORT**

6,883,263 B1 * 4/2005 Carrow 42/94
D521,100 S * 5/2006 Morrow D22/108

(75) Inventor: **Russell A. Potterfield**, Columbia, MO
(US)

* cited by examiner

(73) Assignee: **Battenfeld Technologies, Inc.**,
Columbia, MO (US)

Primary Examiner—Ian Simmons
Assistant Examiner—Melanie Levy
(74) *Attorney, Agent, or Firm*—Perkins Coie LLP

(**) Term: **14 Years**

(57) **CLAIM**

(21) Appl. No.: **29/270,821**

The ornamental design for a firearm support, as shown and described.

(22) Filed: **Jan. 3, 2007**

(51) **LOC (8) Cl.** **22-01**

(52) **U.S. Cl.** **D22/108**

(58) **Field of Classification Search** D22/100,
D22/101, 107, 108, 199; D21/569; D6/552;
42/94, 55; 89/37.04, 37.12, 40.06, 37.11;
224/913; 211/64; 248/125.3, 156, 187.1,
248/171, 354.6

See application file for complete search history.

DESCRIPTION

FIG. 1 is a right isometric view of an embodiment of a firearm support.

FIG. 2 is a left side view thereof.

FIG. 3 is a right side view thereof.

FIG. 4 is a front elevational view thereof.

FIG. 5 is a rear elevational view thereof.

FIG. 6 is a top plan view thereof; and,

FIG. 7 is a bottom view thereof.

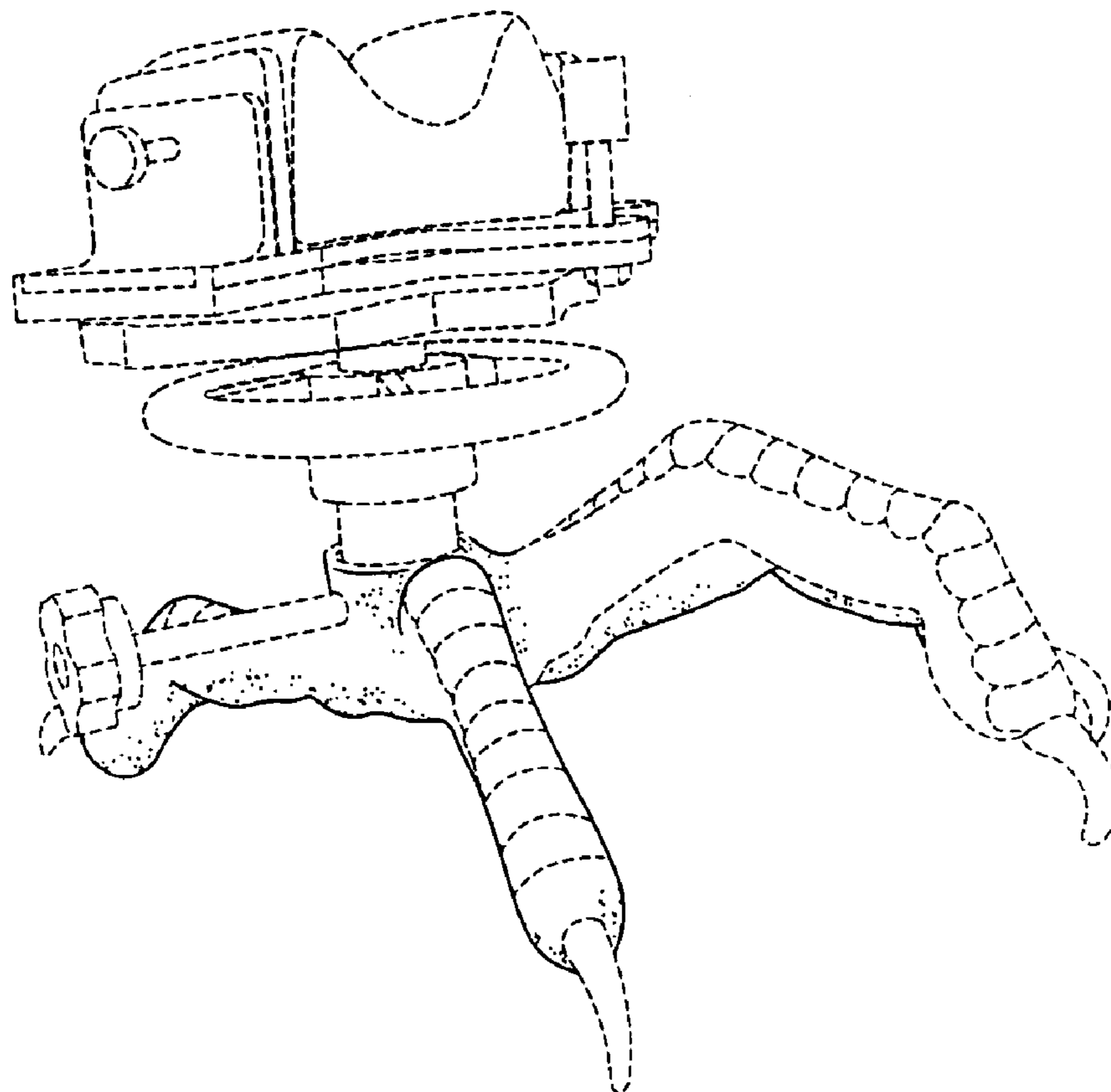
The broken lines in the drawings form no part of the claimed design.

(56) **References Cited**

U.S. PATENT DOCUMENTS

D261,794 S * 11/1981 Bechtel D22/108
5,067,268 A * 11/1991 Ransom 42/94
5,617,666 A * 4/1997 Scott 42/94

1 Claim, 4 Drawing Sheets



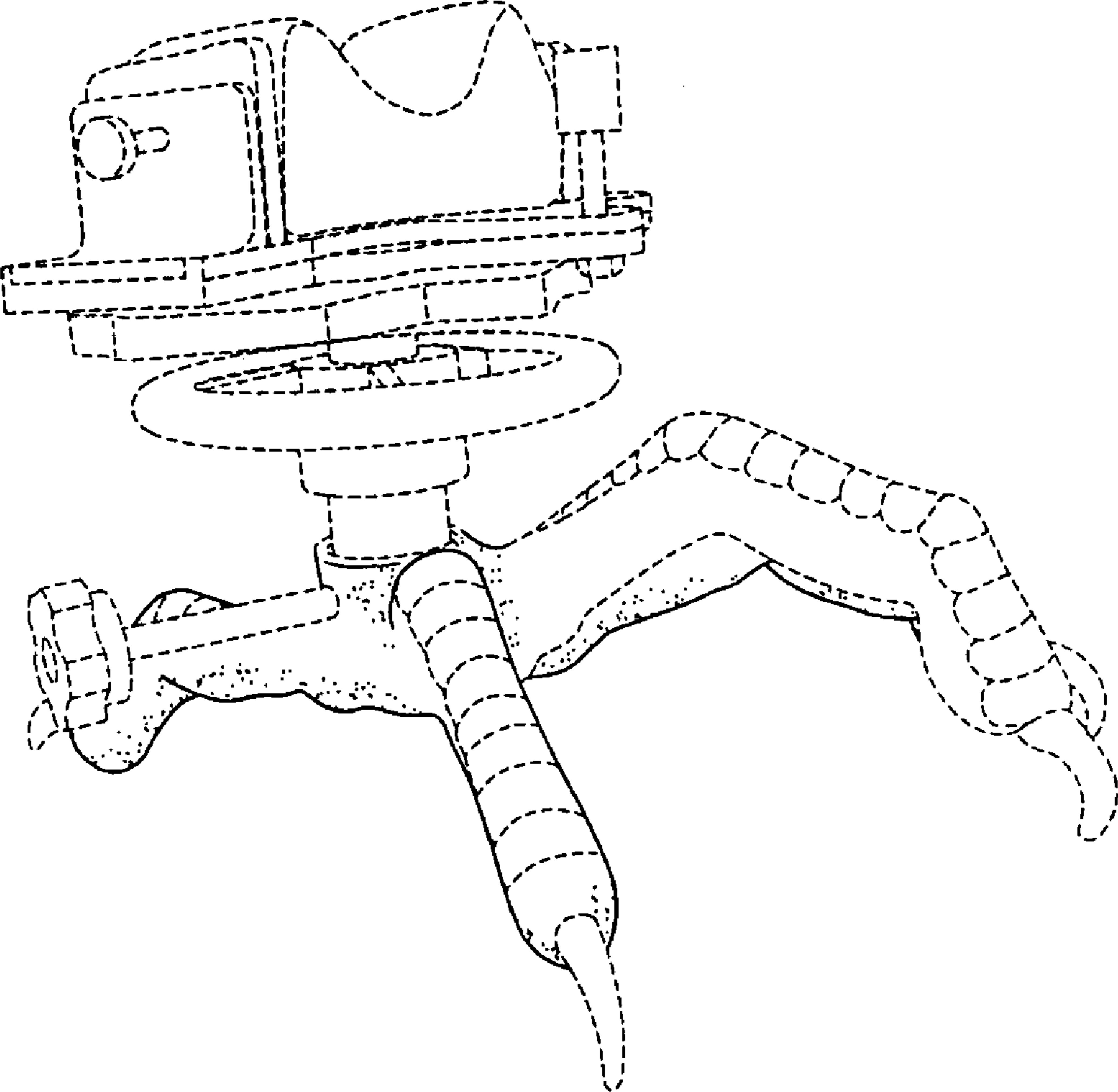


Fig. 1

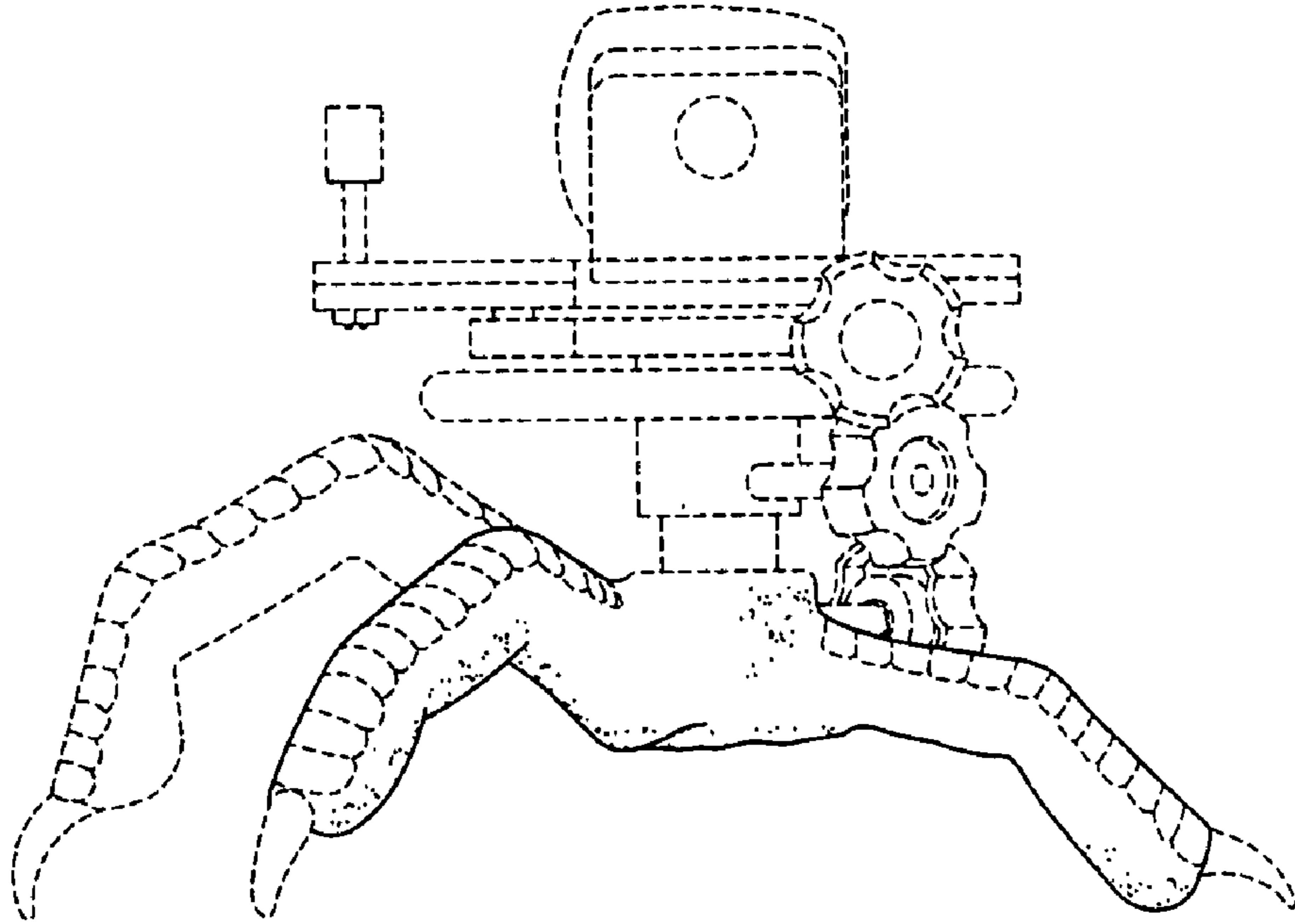


Fig. 2

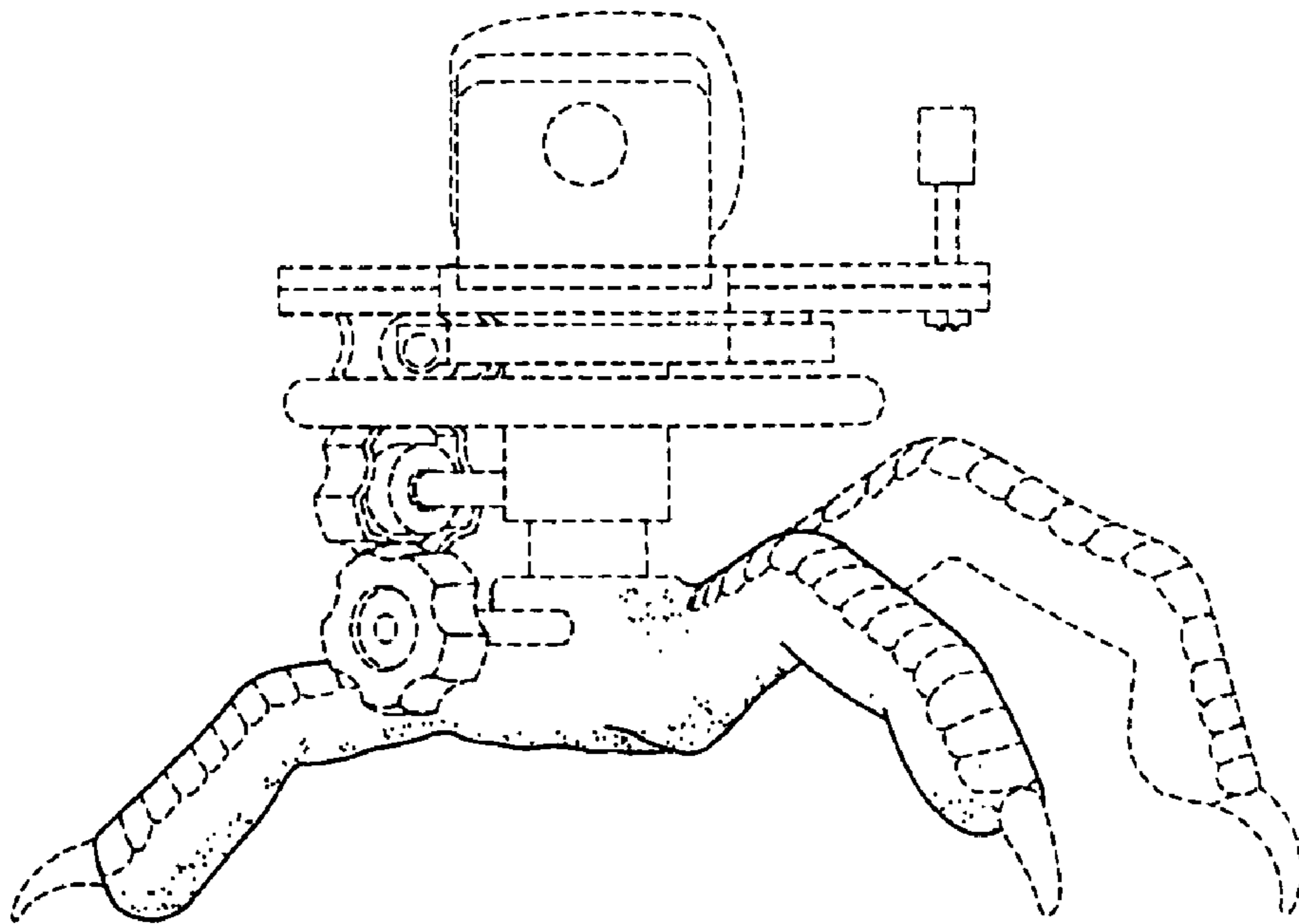


Fig. 3

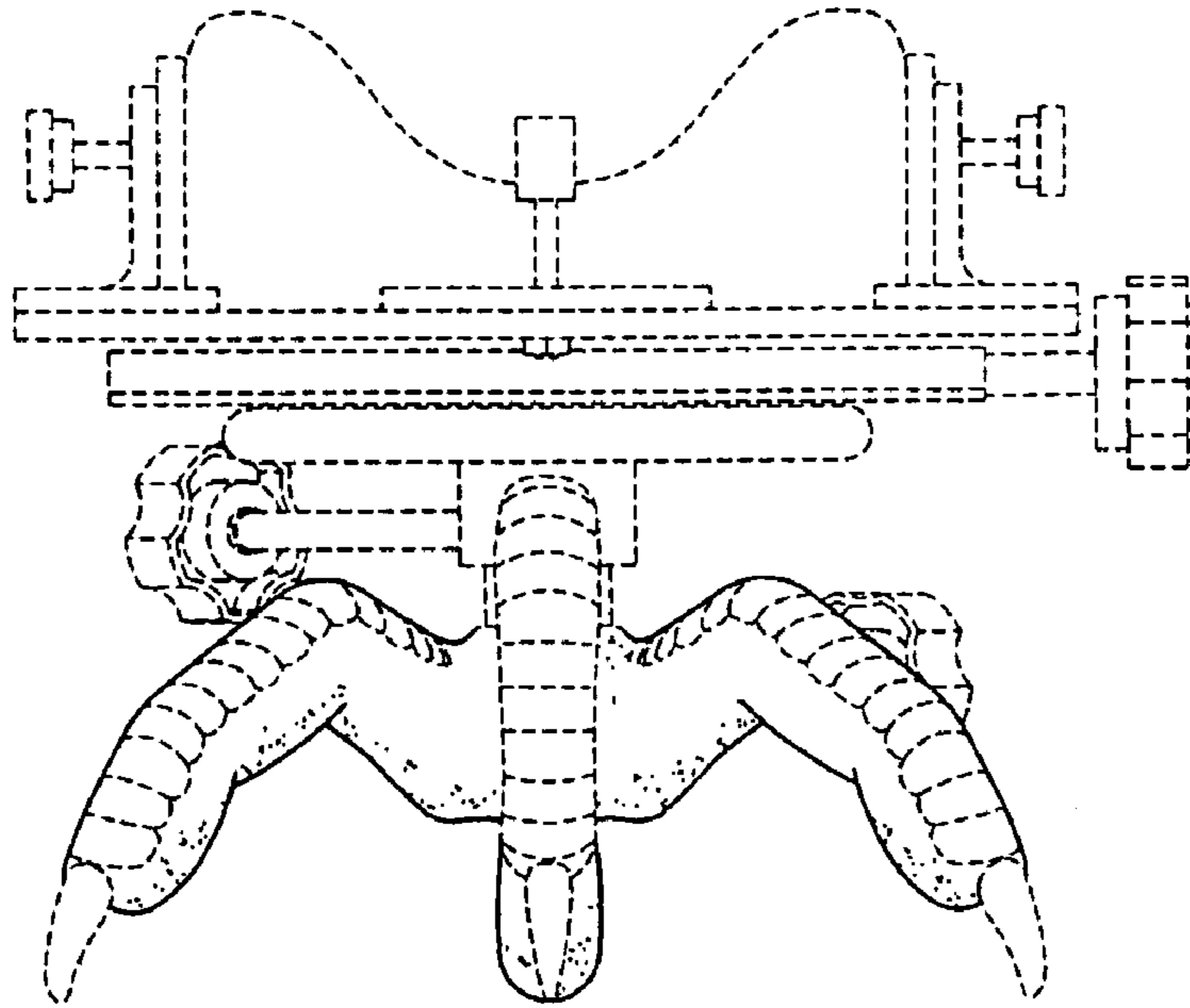


Fig. 4

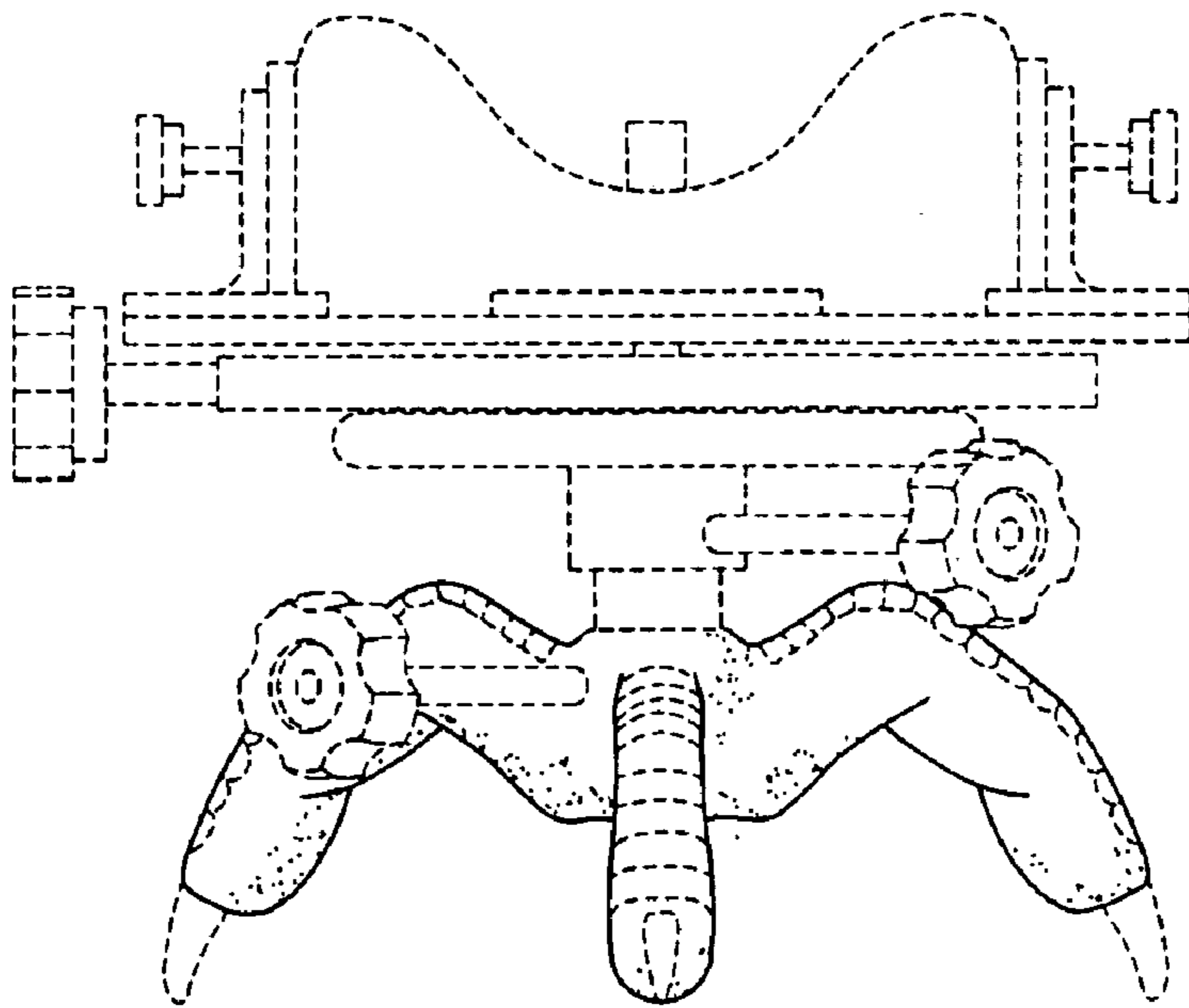


Fig. 5

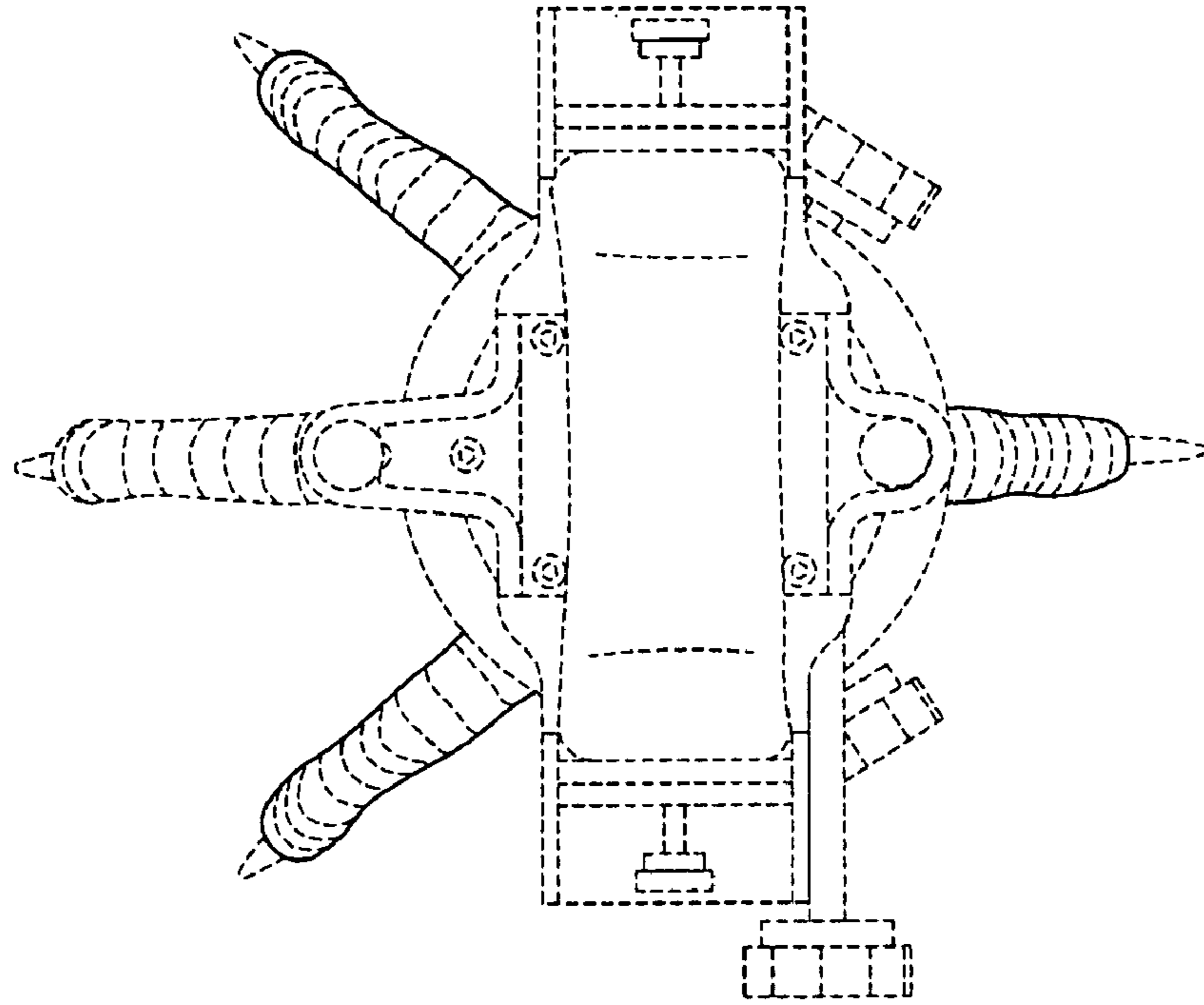


Fig. 6

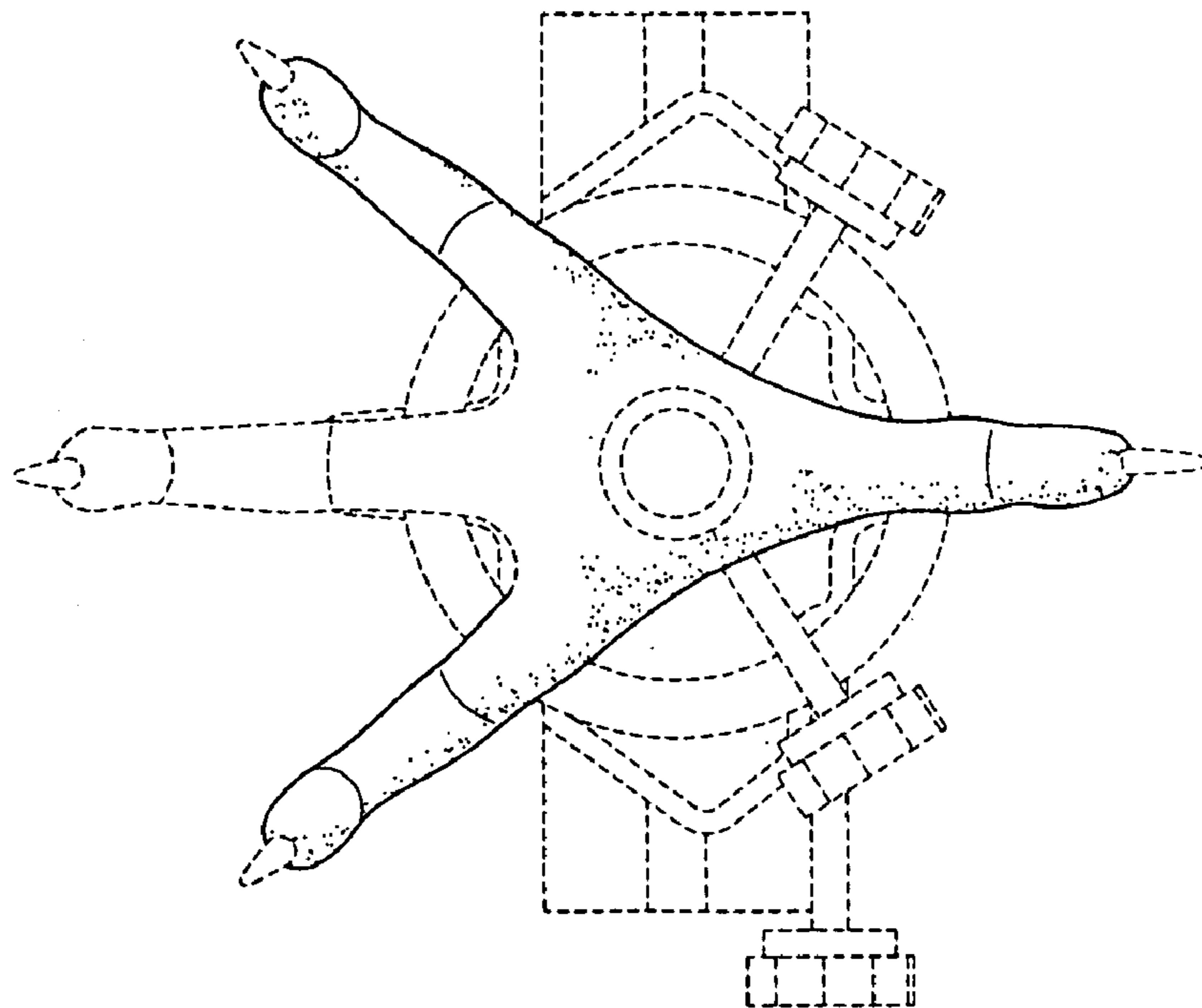


Fig. 7