



US00D553205S

(12) **United States Design Patent**
Law

(10) **Patent No.:** **US D553,205 S**

(45) **Date of Patent:** **** Oct. 16, 2007**

(54) **TOY**

D494,438 S * 8/2004 Falkenstein et al. D8/105

(75) Inventor: **Chung Kai Law**, New Territories (HK)

* cited by examiner

(73) Assignee: **Law Tai Hang Factory Limited**, New Territories (HK)

Primary Examiner—Holly H. Baynham

Assistant Examiner—Cynthia M. Chin

(**) Term: **14 Years**

(74) *Attorney, Agent, or Firm*—Intellectual Property Law Group LLP; Otto O. Lee; Juneko Jackson

(21) Appl. No.: **29/265,652**

(57) **CLAIM**

(22) Filed: **Sep. 5, 2006**

The ornamental design for a toy, as shown and described.

(51) **LOC (8) Cl.** **21-01**

(52) **U.S. Cl.** **D21/532**

(58) **Field of Classification Search** D21/483,
D21/532; D8/55, 87, 105, 106; 7/118, 126–128,
7/132, 142, 151, 158
See application file for complete search history.

DESCRIPTION

FIG. 1 is a perspective view of a toy in a closed position embodying my new design;

FIG. 2 is a perspective view thereof in an opened position;

FIG. 3 is a front elevational view of FIG. 1;

FIG. 4 is a rear elevational view thereof;

FIG. 5 is a top view thereof, with the keychain shown at the top;

FIG. 6 is a bottom view thereof;

FIG. 7 is a left side elevational view of FIG. 5; and,

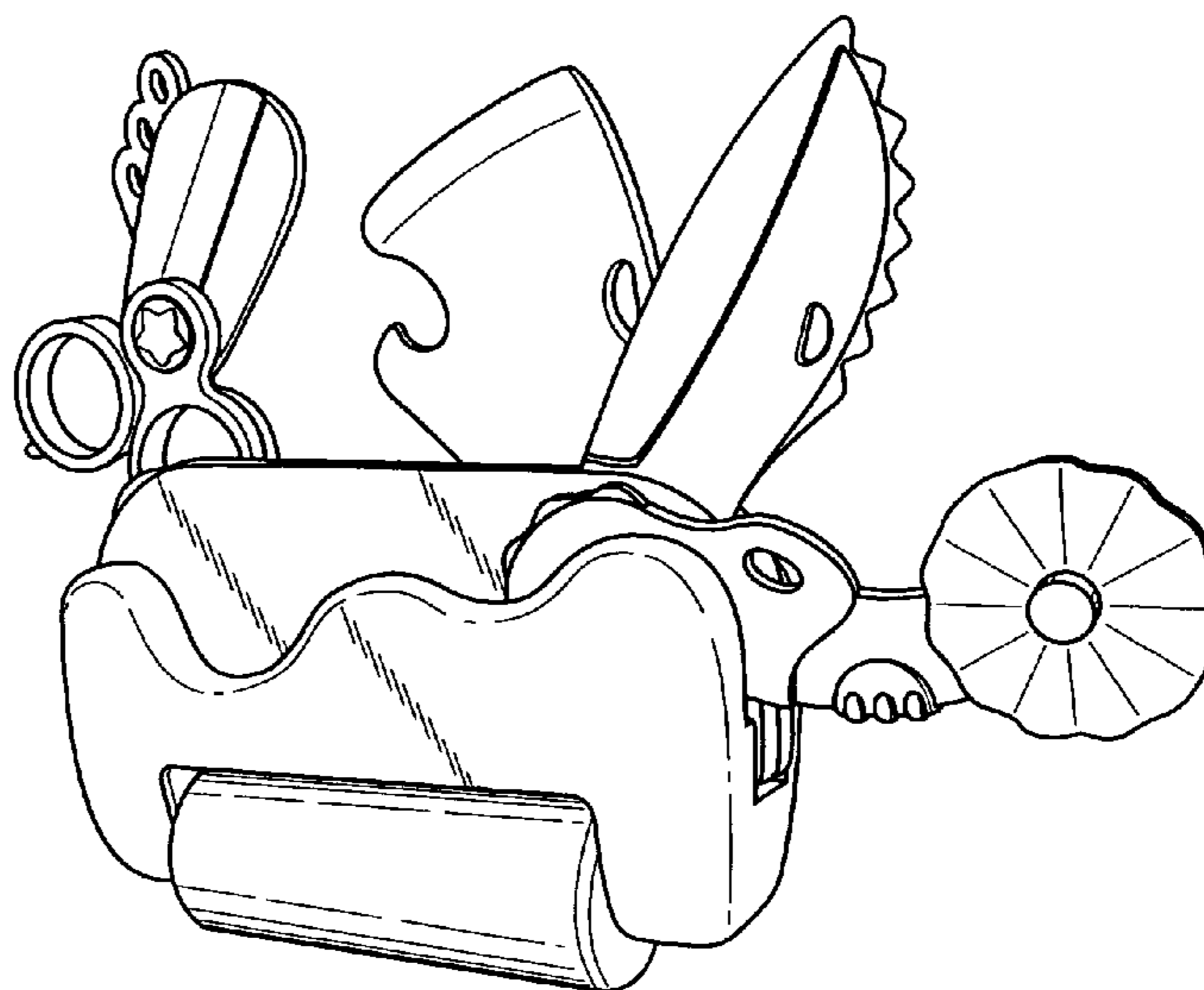
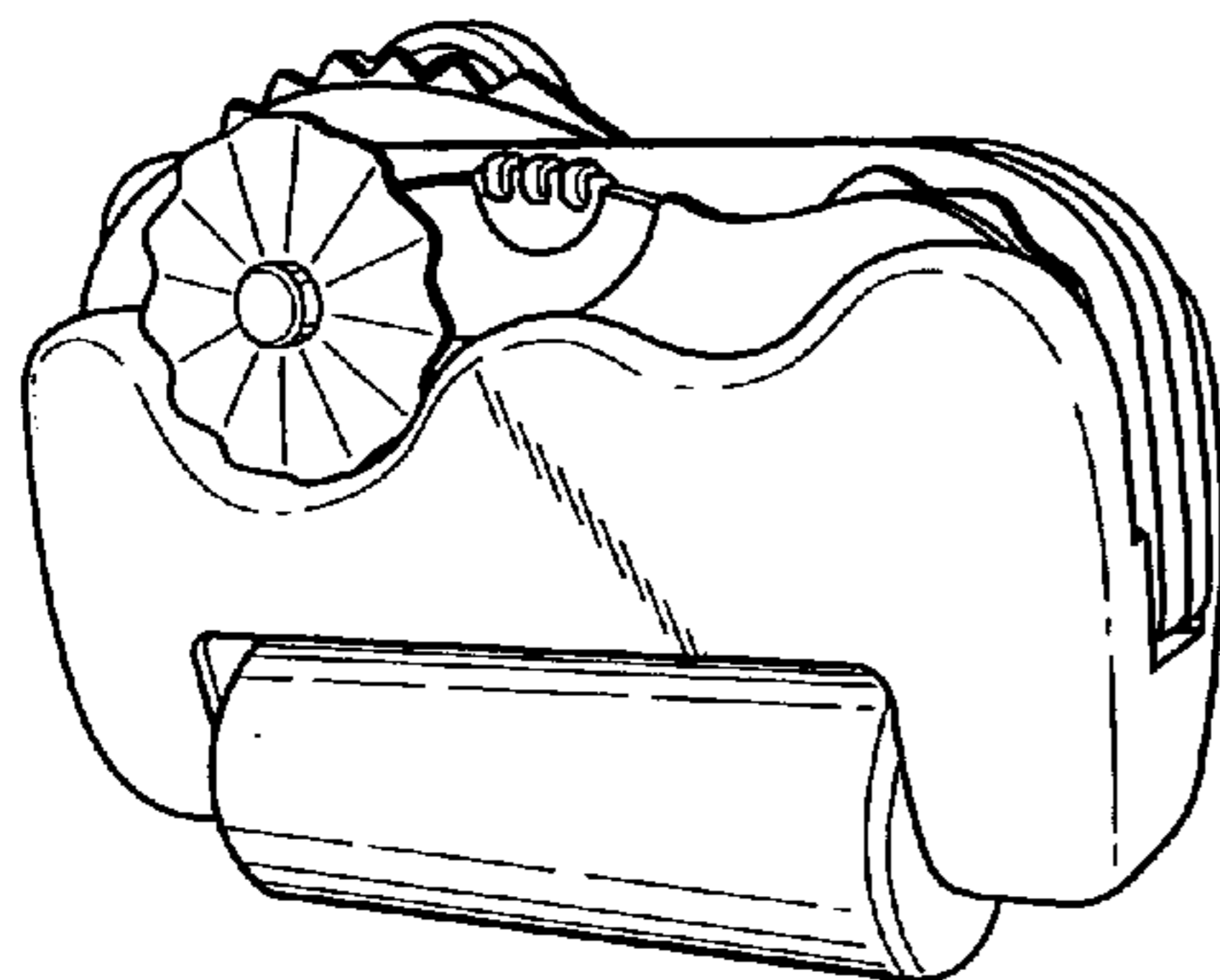
FIG. 8 is a right side elevational view thereof.

(56) **References Cited**

U.S. PATENT DOCUMENTS

D114,390 S *	4/1939	Bocchino	D28/59
D305,780 S *	1/1990	Ukisu	D21/532
D364,327 S *	11/1995	Graham	D8/105
D421,559 S *	3/2000	Hollinger	D8/105
D429,988 S *	8/2000	Lau et al.	D8/105
D474,956 S *	5/2003	Pierotti	D8/105

1 Claim, 4 Drawing Sheets



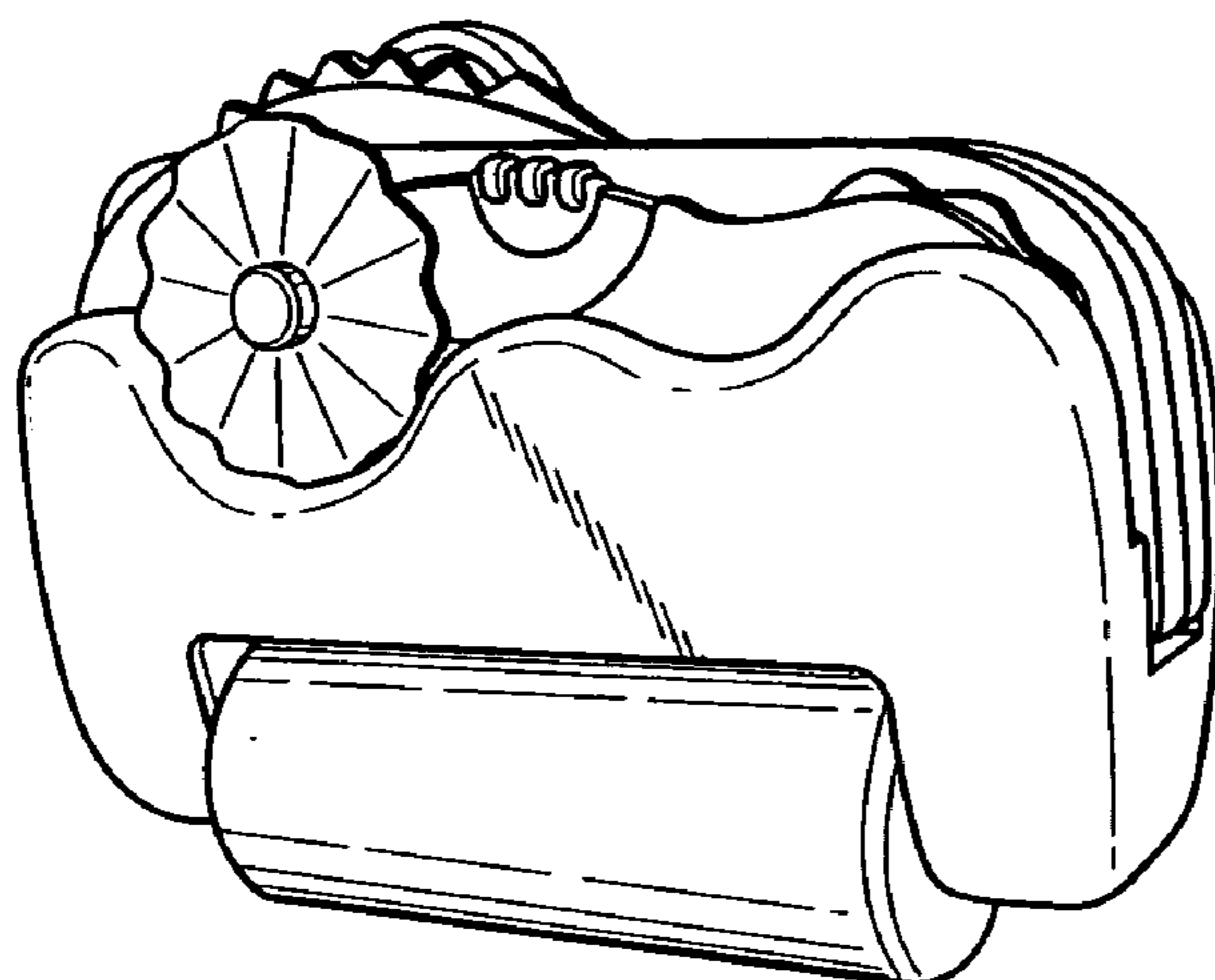


Fig. 1

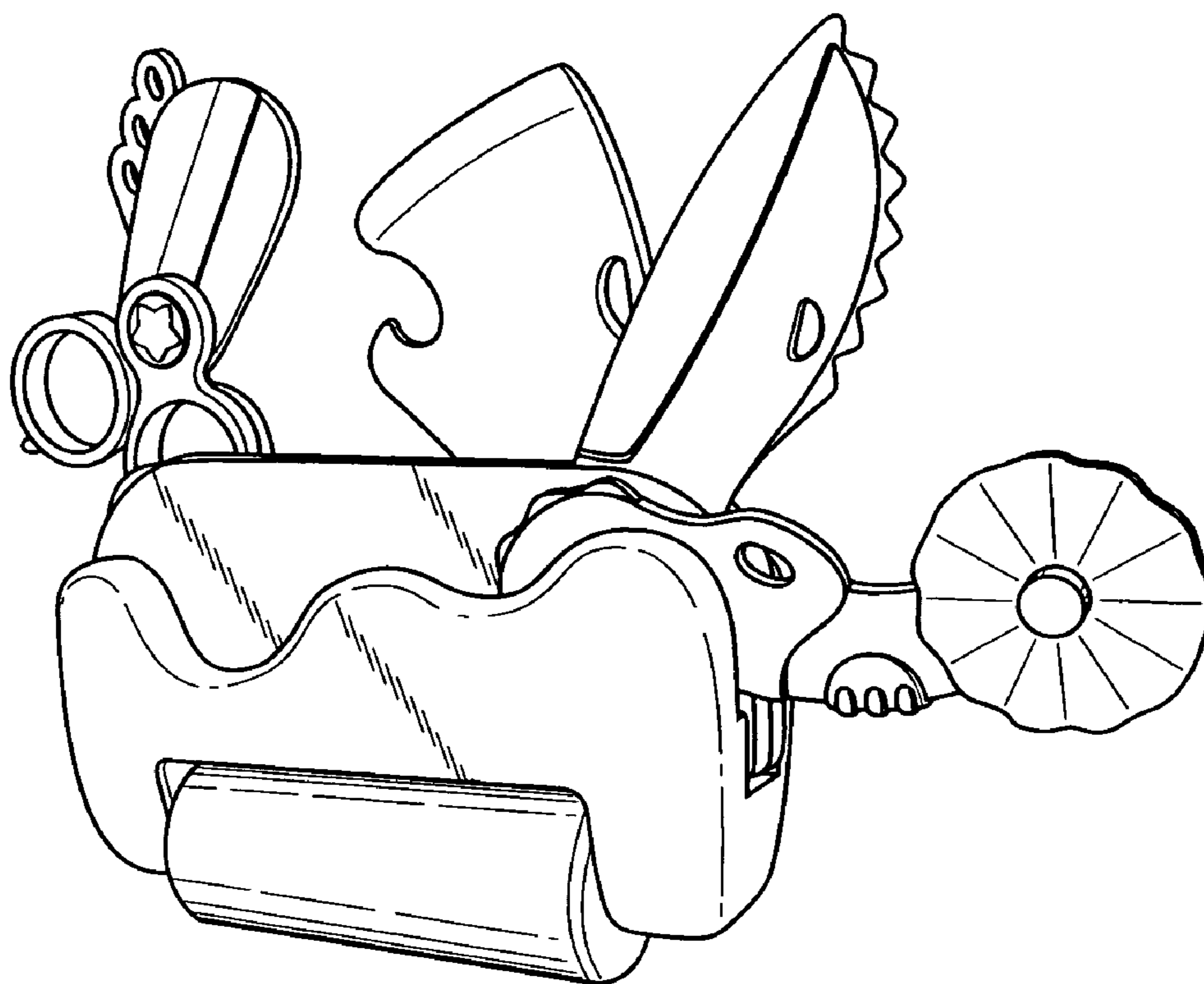


Fig. 2

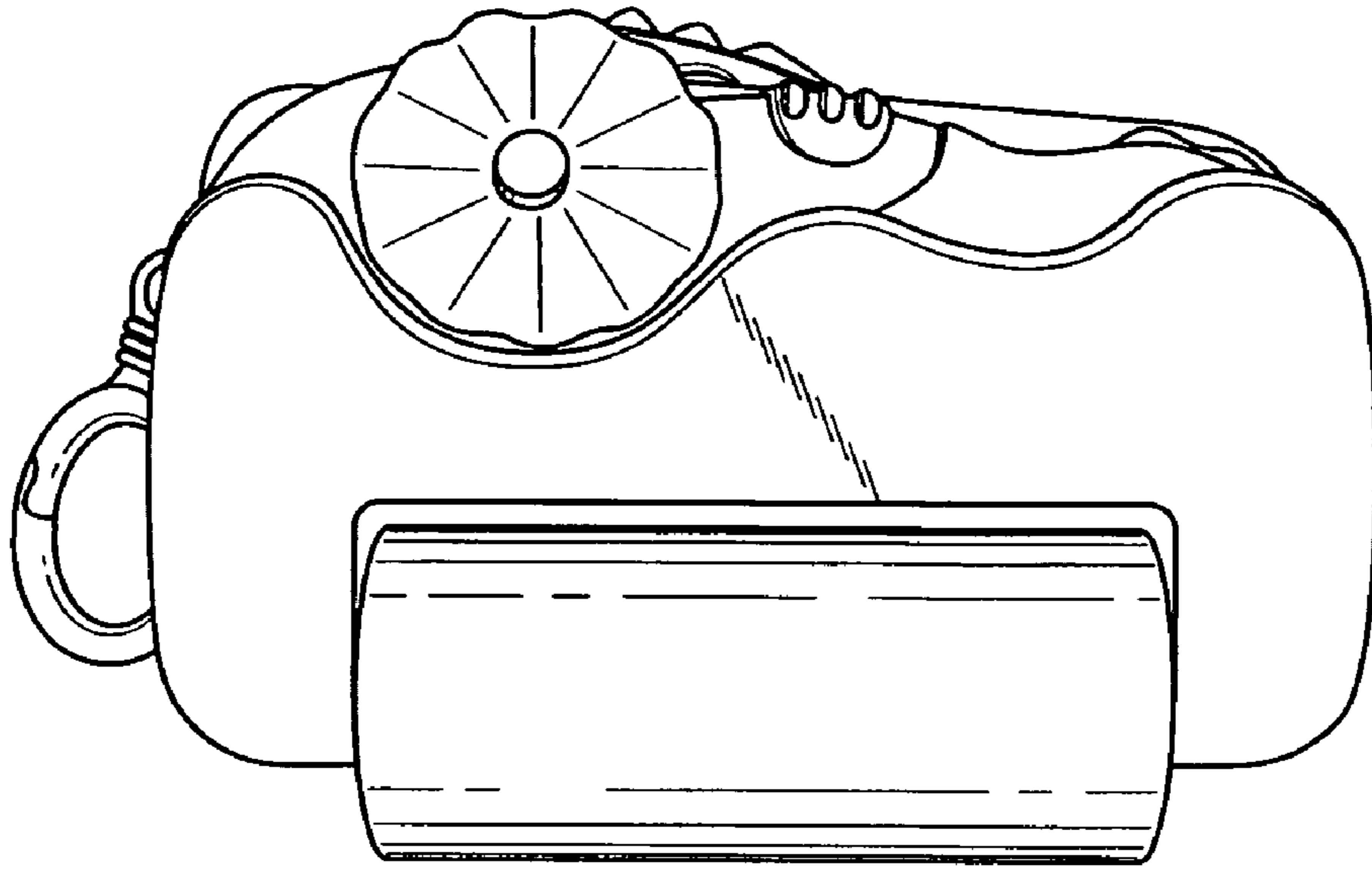


Fig. 3

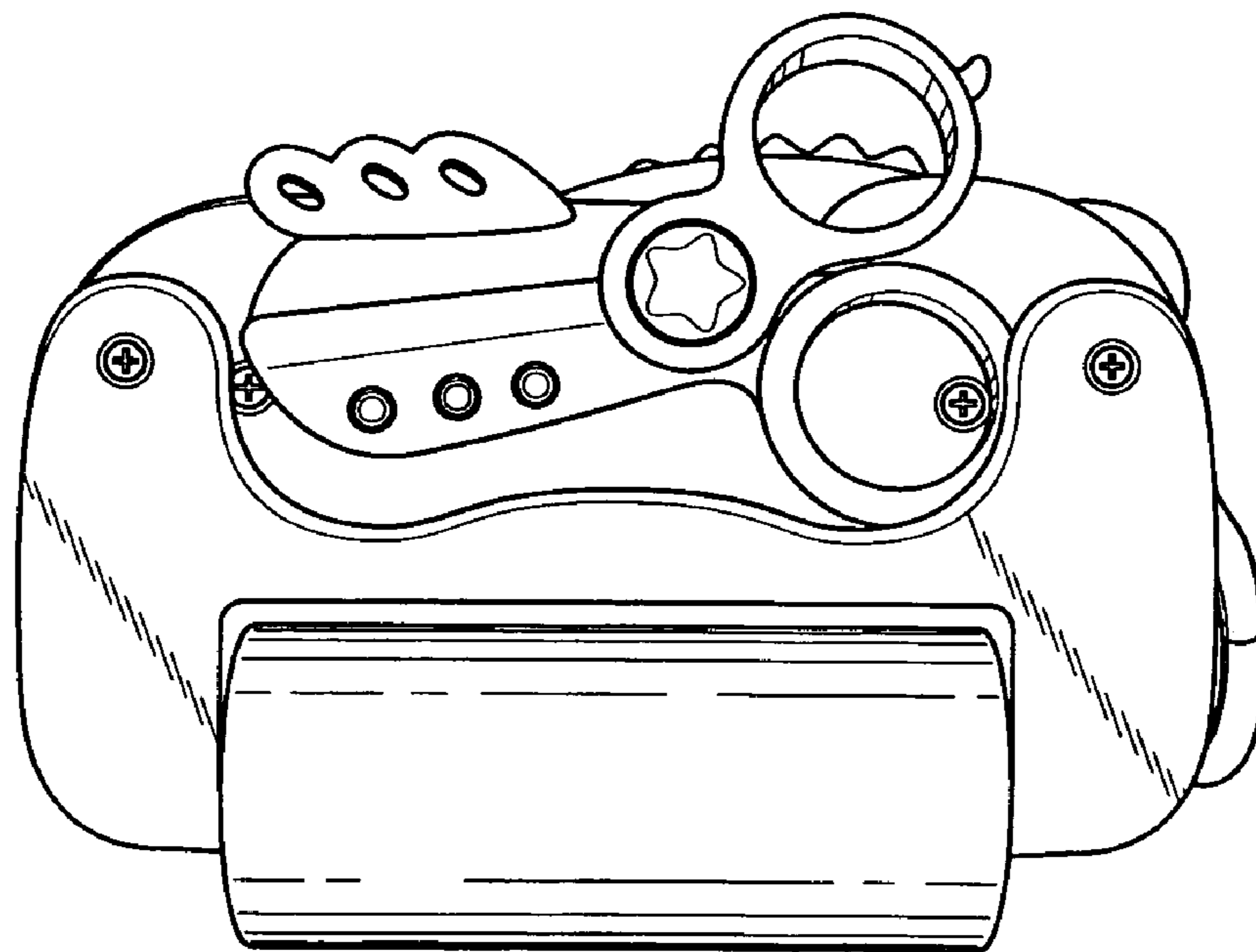


Fig. 4

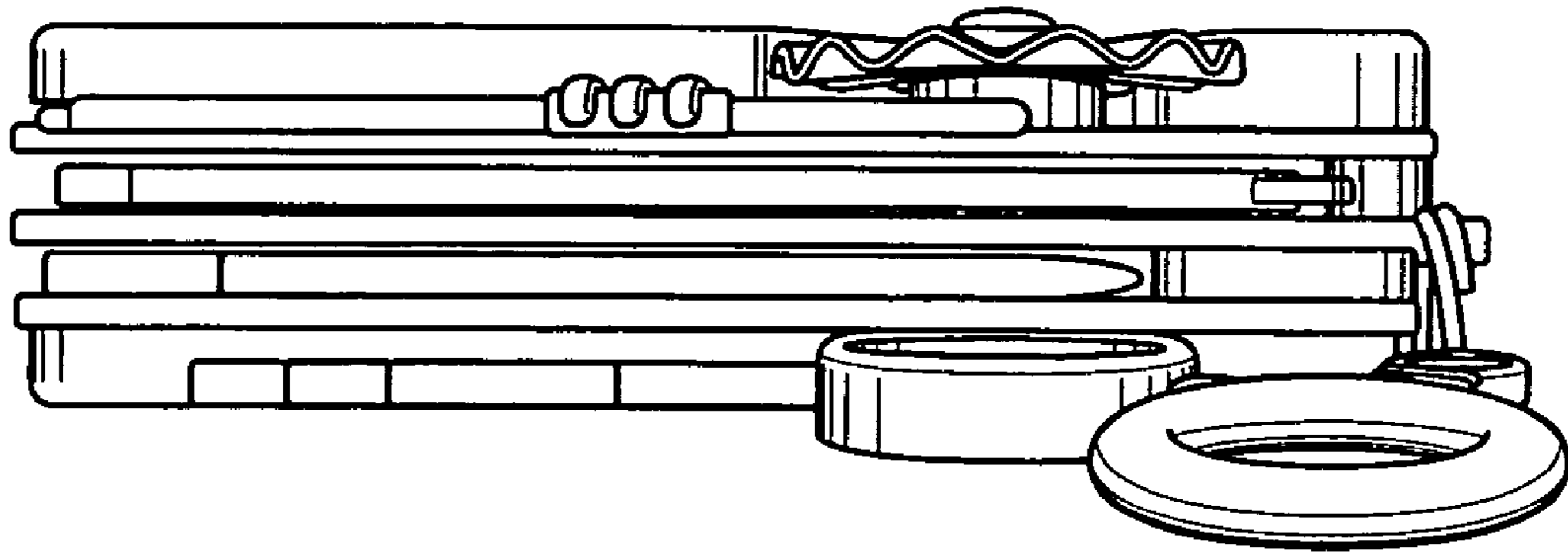


Fig. 5

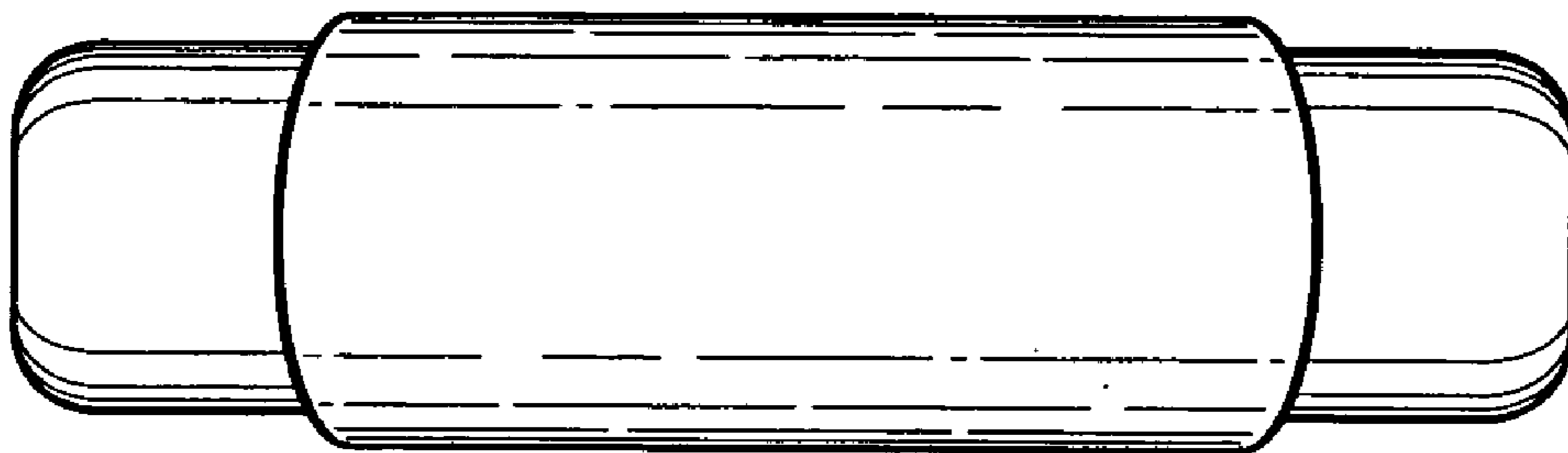


Fig. 6

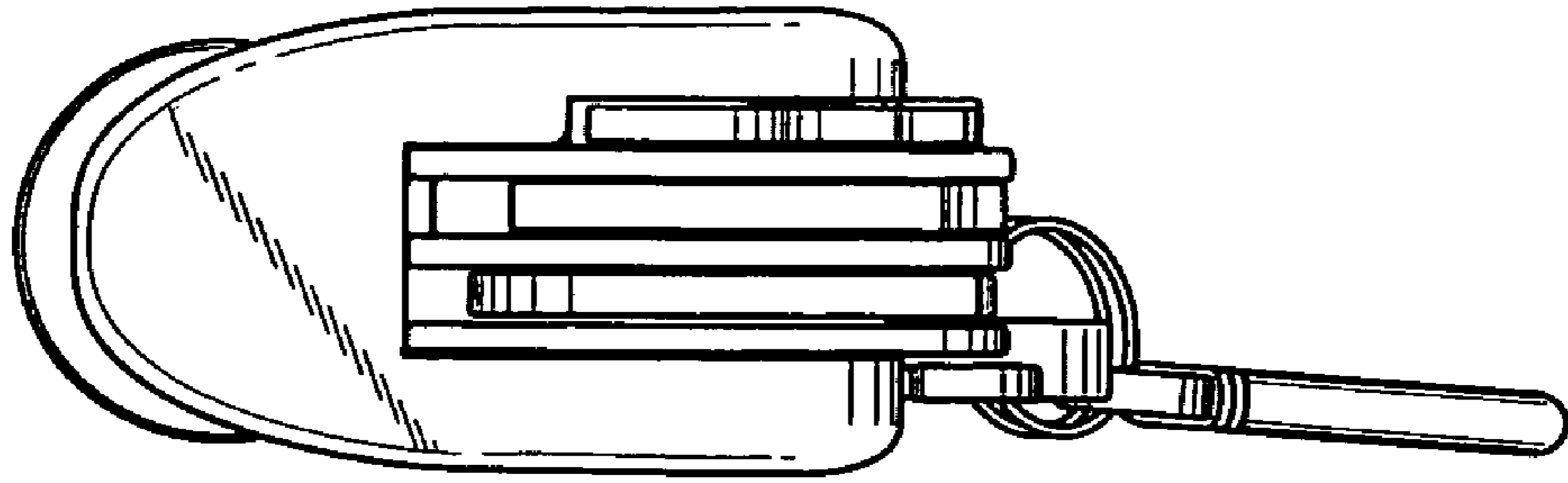


Fig. 7

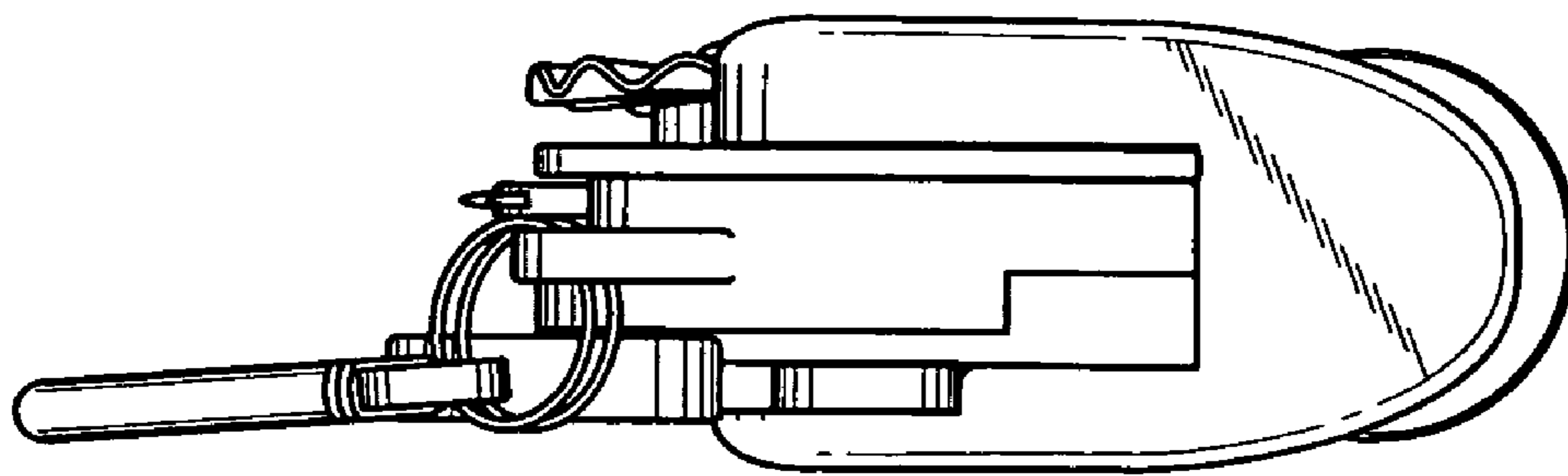


Fig. 8