



US00D553203S

(12) **United States Design Patent**
Glickman et al.

(10) **Patent No.:** **US D553,203 S**

(45) **Date of Patent:** **** Oct. 16, 2007**

(54) **CONSTRUCTION TOY COMPONENT**

(75) Inventors: **Joel Glickman**, Jupiter, FL (US);
Matthias F. W. Doepner, Harleysville,
PA (US)

(73) Assignee: **K'Nex Limited Partnership Group**,
Hatfield, PA (US)

(**) Term: **14 Years**

(21) Appl. No.: **29/272,096**

(22) Filed: **Feb. 1, 2007**

Related U.S. Application Data

(62) Division of application No. 29/267,628, filed on Oct.
18, 2006.

(51) **LOC (8) Cl.** **21-01**

(52) **U.S. Cl.** **D21/487**

(58) **Field of Classification Search** D21/484-505;
D25/113-118; 446/69, 85, 101-128; D32/61,
D32/62

See application file for complete search history.

(56) **References Cited**

U.S. PATENT DOCUMENTS

D35,442 S * 12/1901 Smith D32/61
D138,379 S * 7/1944 Most D32/61

5,049,104 A * 9/1991 Olsen 446/104
D352,746 S * 11/1994 Hatting D21/502
D409,679 S * 5/1999 Jensen D21/501
D415,217 S * 10/1999 Rudy D21/503

* cited by examiner

Primary Examiner—Holly H. Baynham

Assistant Examiner—Cynthia M. Chin

(74) *Attorney, Agent, or Firm*—Schweitzer Cornman Gross
& Bondell LLP

(57) **CLAIM**

The ornamental design for a construction toy component, as
shown and described.

DESCRIPTION

FIG. 1 is a top perspective view of a construction toy
component;

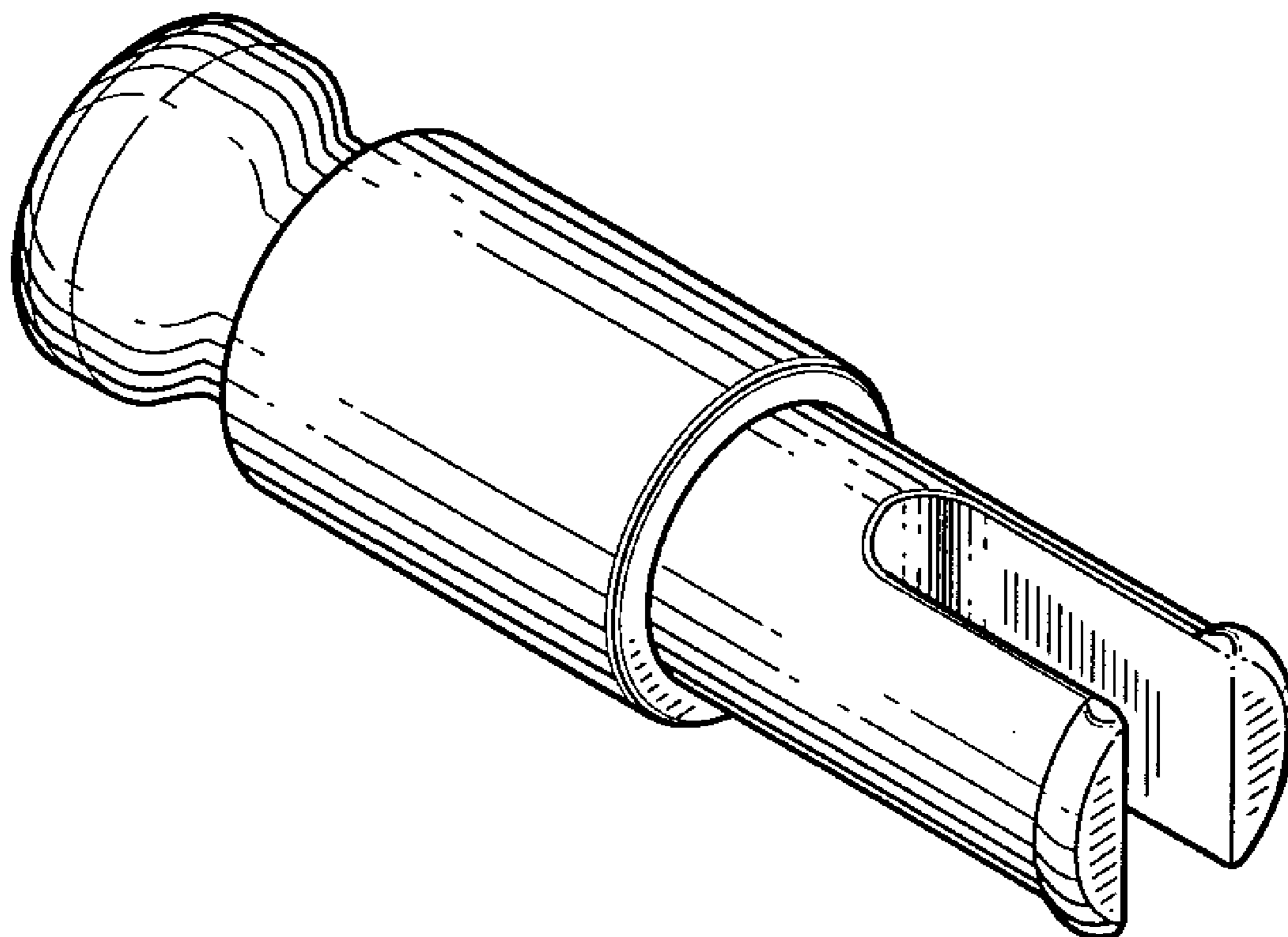
FIG. 2 is a top plan view of the construction toy component
of FIG. 1, the bottom being identical;

FIG. 3 is a side elevation view of the construction toy
component of FIG. 1, the other side being identical;

FIG. 4 is a first end elevation view of the construction toy
component of FIG. 1; and,

FIG. 5 is a second end elevation view of the construction toy
component of FIG. 1.

1 Claim, 2 Drawing Sheets



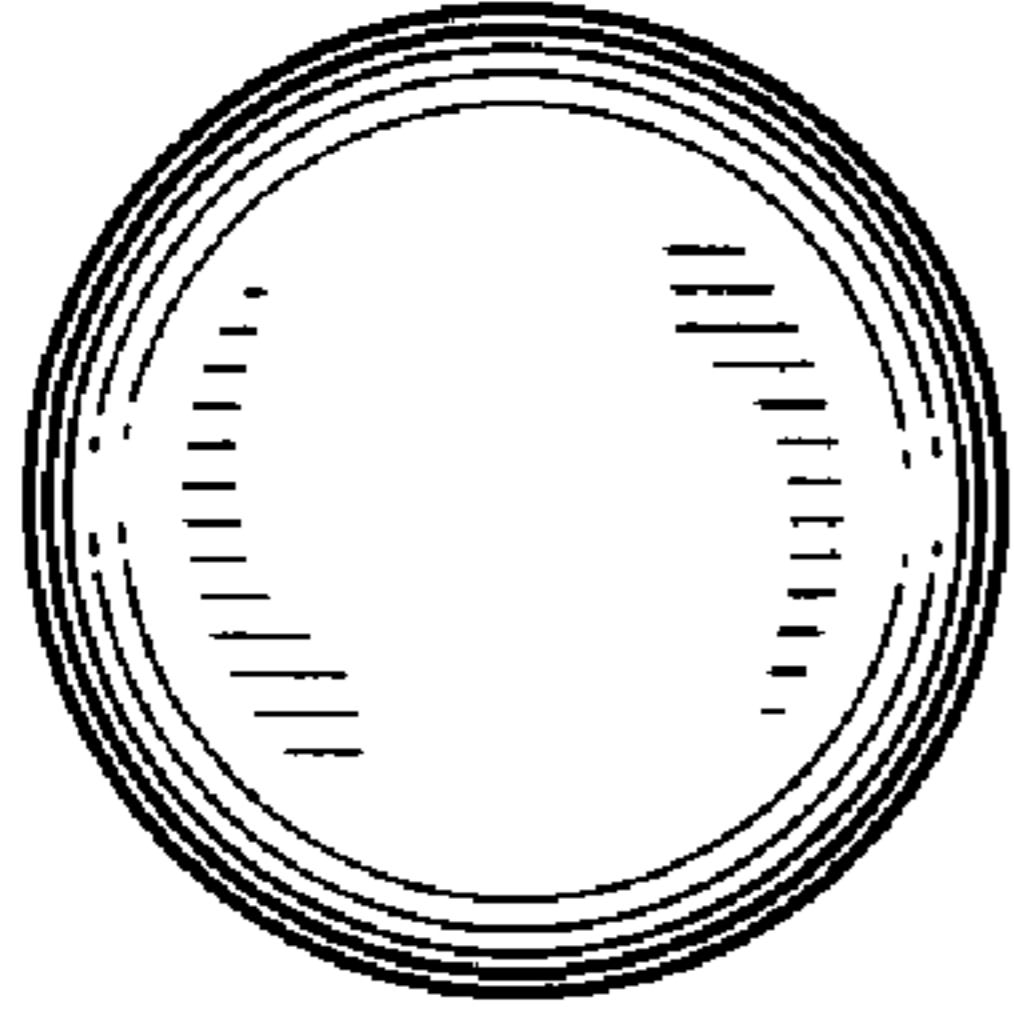


FIG. 4

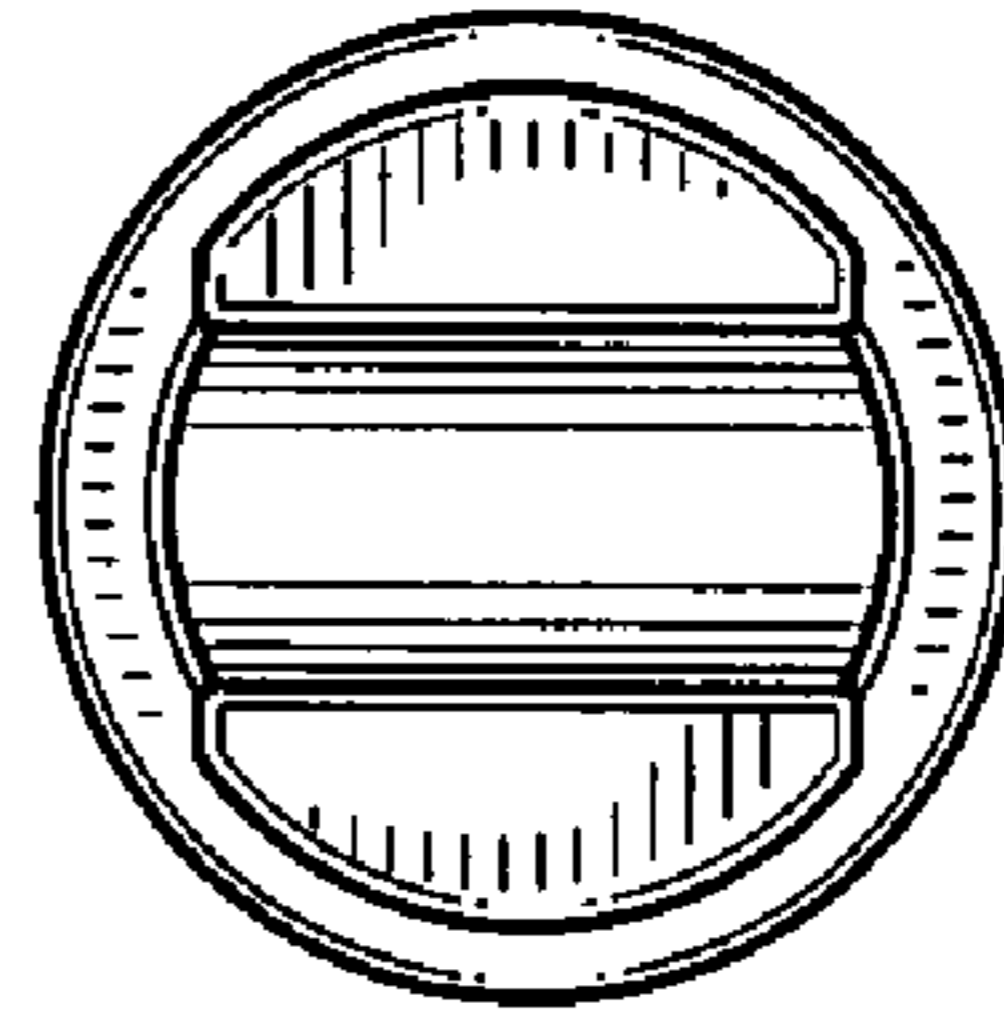


FIG. 5

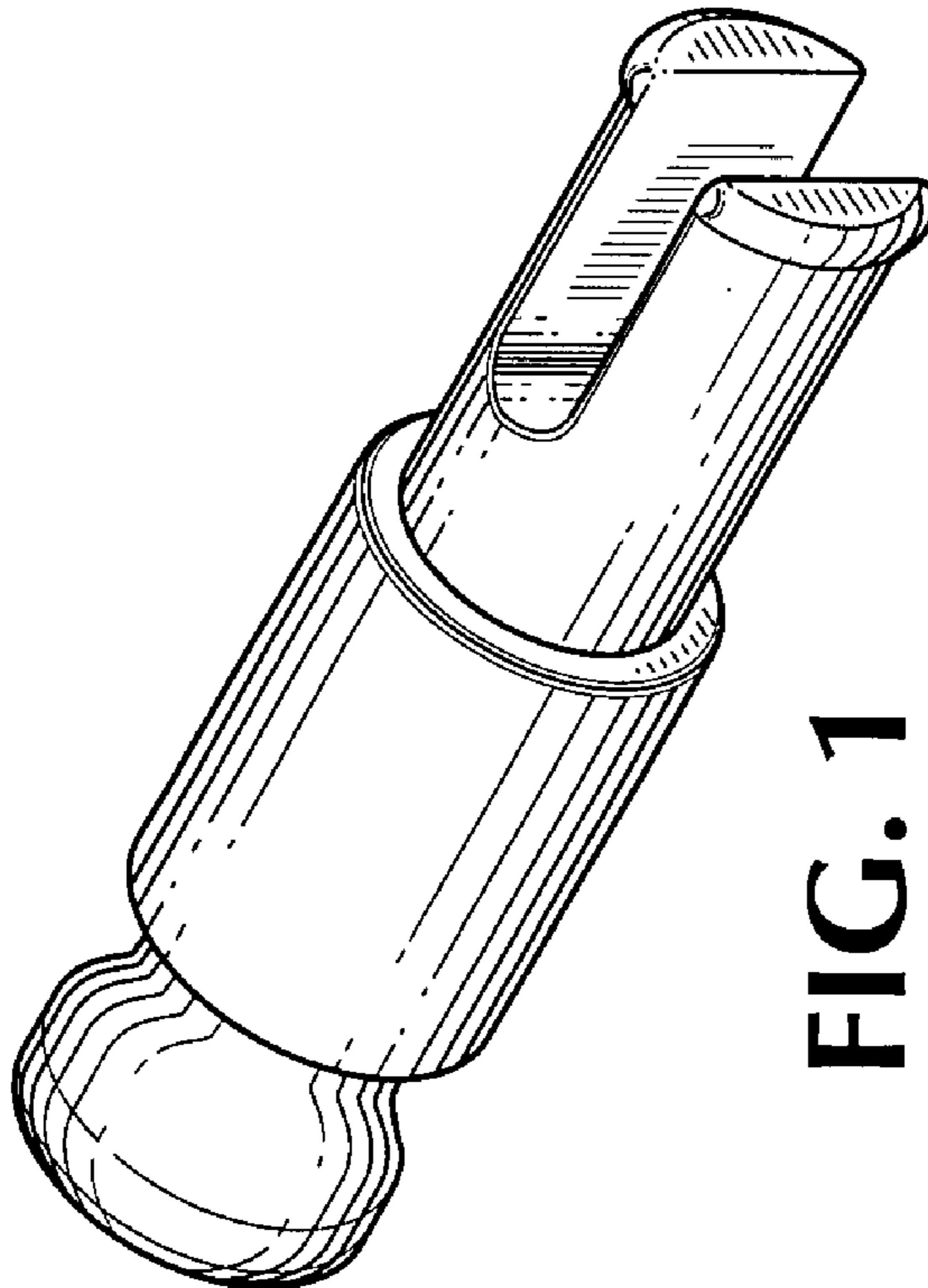


FIG. 1

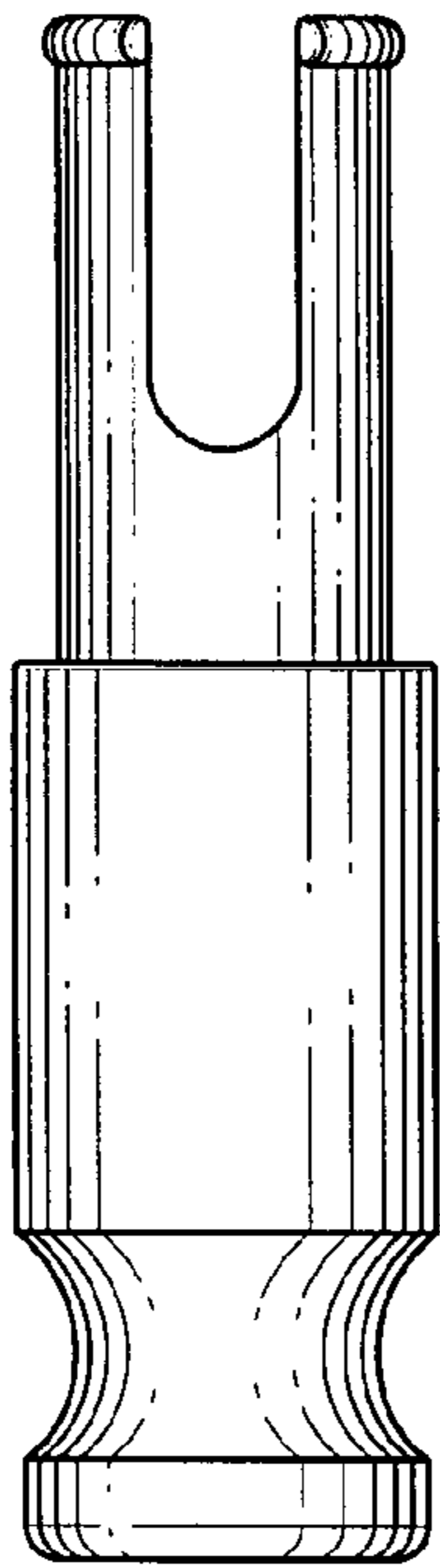


FIG. 2

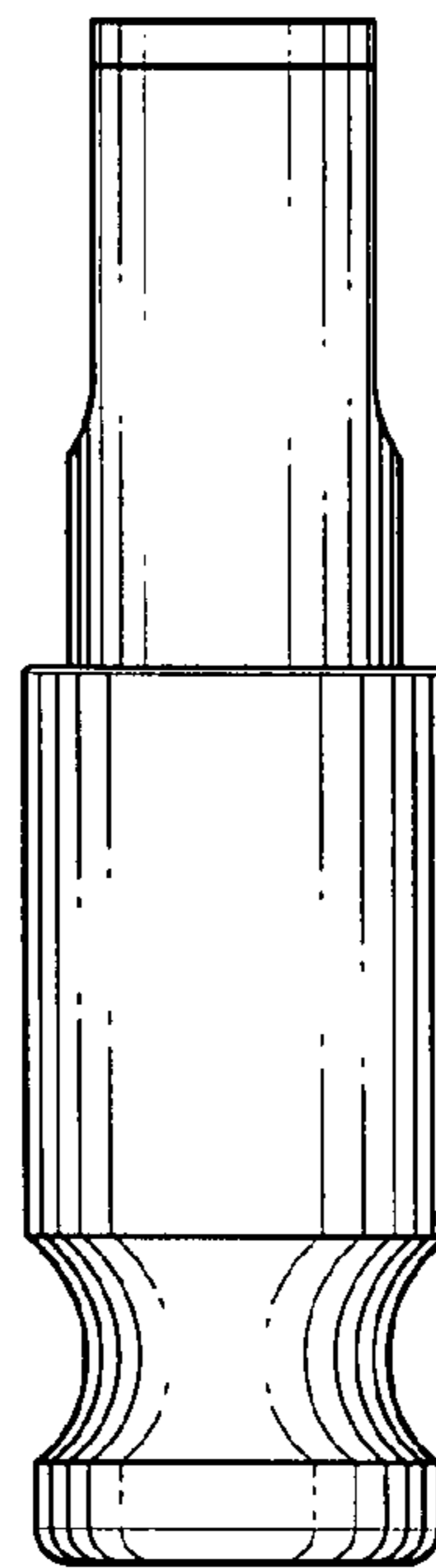


FIG. 3