



US00D553202S

(12) **United States Design Patent** (10) **Patent No.:** **US D553,202 S**  
**Glickman et al.** (45) **Date of Patent:** **\*\* Oct. 16, 2007**

(54) **CONSTRUCTION TOY COMPONENT**

(75) Inventors: **Joel Glickman**, Jupiter, FL (US);  
**Matthias F. W. Doepner**, Harleysville,  
PA (US); **Mark McCormick**,  
Coopersburg, PA (US)

(73) Assignee: **K'NEX Limited Partnership Group**,  
Hatfield, PA (US)

(\*\*) Term: **14 Years**

(21) Appl. No.: **29/272,127**

(22) Filed: **Feb. 1, 2007**

(51) **LOC (8) Cl.** ..... **21-01**

(52) **U.S. Cl.** ..... **D21/486**

(58) **Field of Classification Search** ..... D21/484-505;  
D25/113-118; 446/69, 85, 101-128  
See application file for complete search history.

(56) **References Cited**

**U.S. PATENT DOCUMENTS**

|           |   |   |         |              |       |         |
|-----------|---|---|---------|--------------|-------|---------|
| 2,810,233 | A | * | 10/1957 | Jakobsen     | ..... | 446/126 |
| D372,055  | S | * | 7/1996  | Hrsel        | ..... | D21/487 |
| 5,846,114 | A | * | 12/1998 | Frandsen, II | ..... | 446/106 |
| D410,704  | S | * | 6/1999  | Krog         | ..... | D21/486 |
| D411,262  | S | * | 6/1999  | Toft         | ..... | D21/486 |
| D420,710  | S | * | 2/2000  | Poulsen      | ..... | D21/486 |

D517,615 S \* 3/2006 Kim ..... D21/486  
2004/0077256 A1\* 4/2004 Laferrera ..... 446/85

\* cited by examiner

*Primary Examiner*—Holly H. Baynham

*Assistant Examiner*—Cynthia M. Chin

(74) *Attorney, Agent, or Firm*—Schweitzer Cornman Gross  
& Bondell LLP

(57) **CLAIM**

The ornamental design for a construction toy component, as shown and described.

**DESCRIPTION**

FIG. 1 is a top perspective view of a construction toy component;

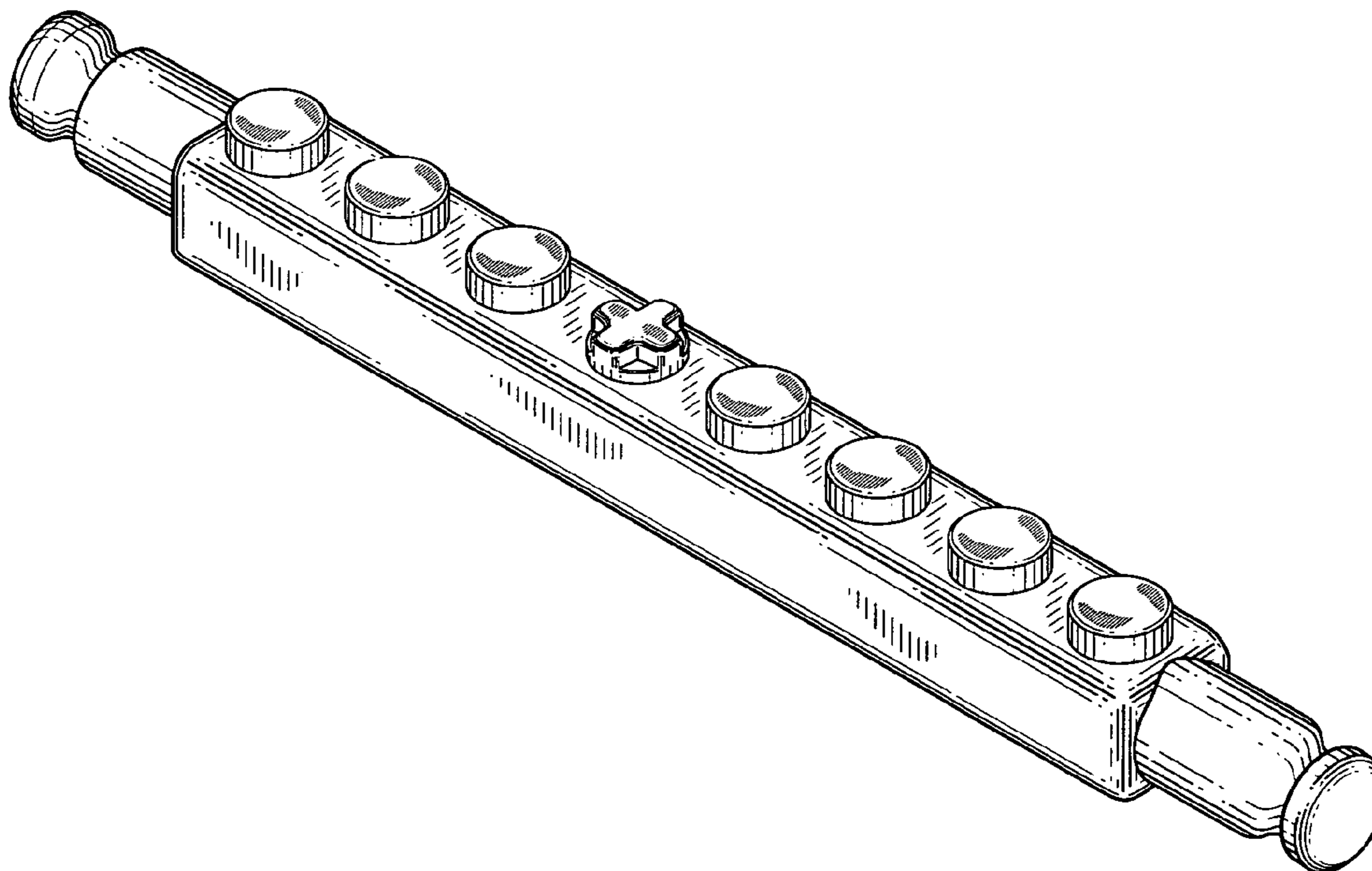
FIG. 2 is a top plan view of the construction toy component of FIG. 1;

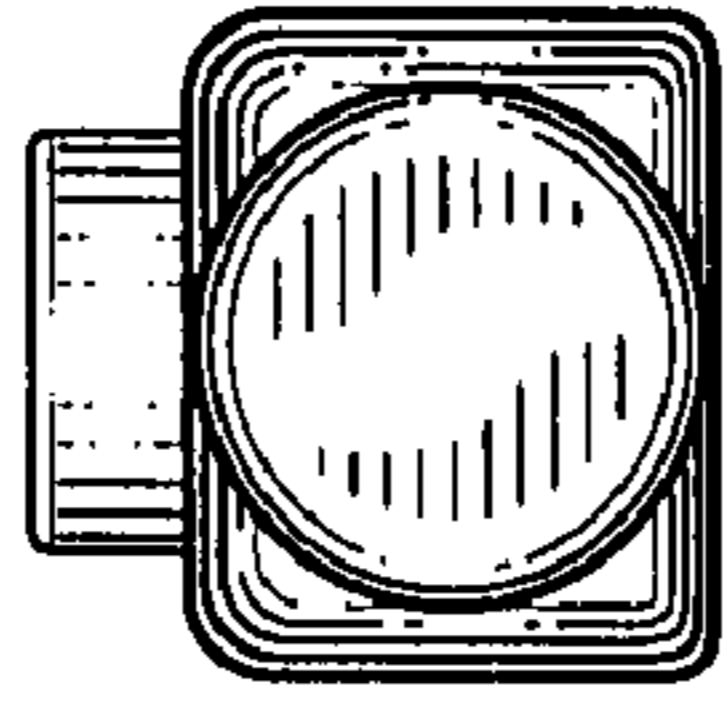
FIG. 3 is a side elevation view of the construction toy component of FIG. 1, the other side being a mirror image; and,

FIG. 4 is front elevation view of the construction toy component of FIG. 1, the rear being identical.

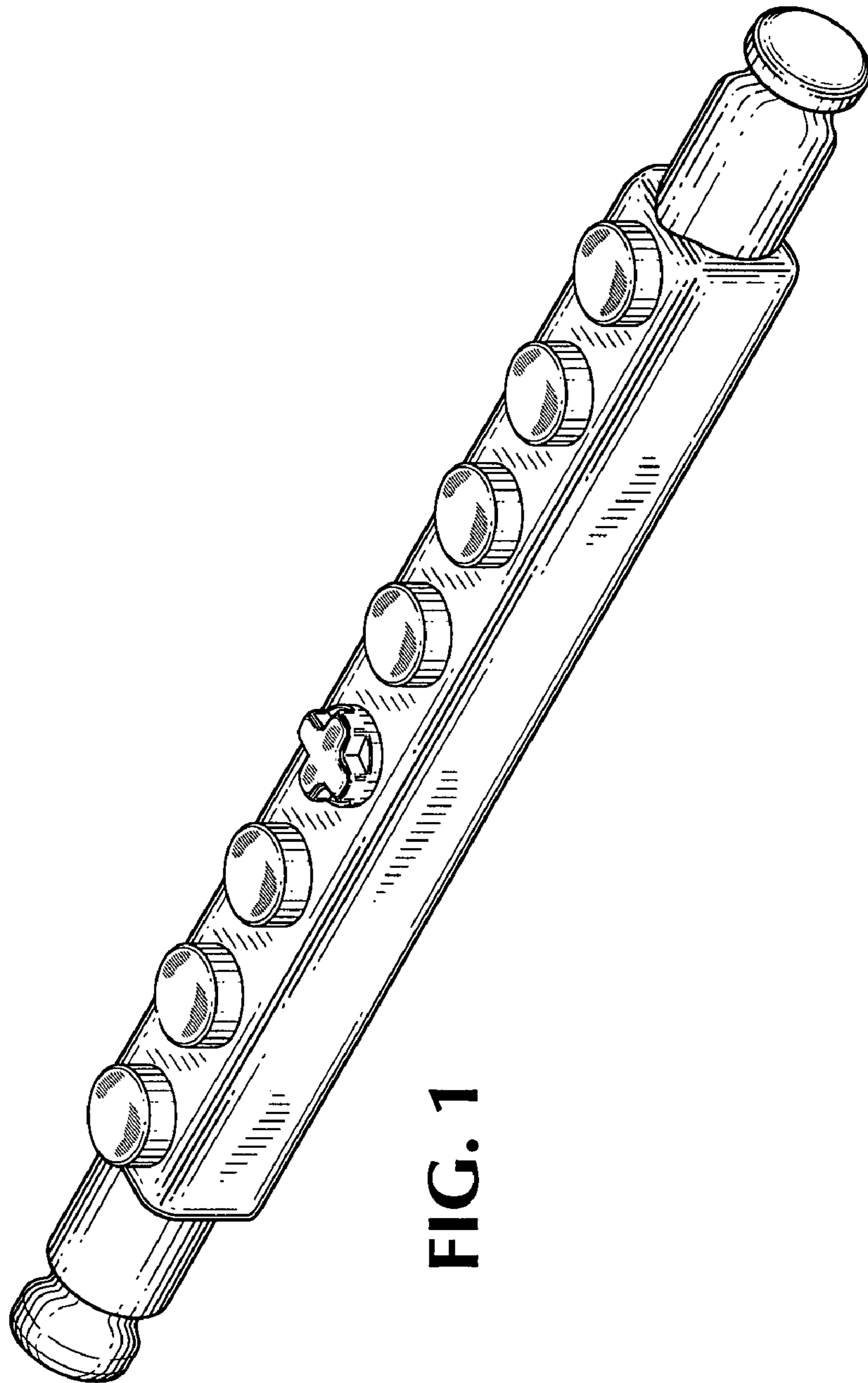
The bottom of the construction toy component forms no part of the claimed design.

**1 Claim, 2 Drawing Sheets**

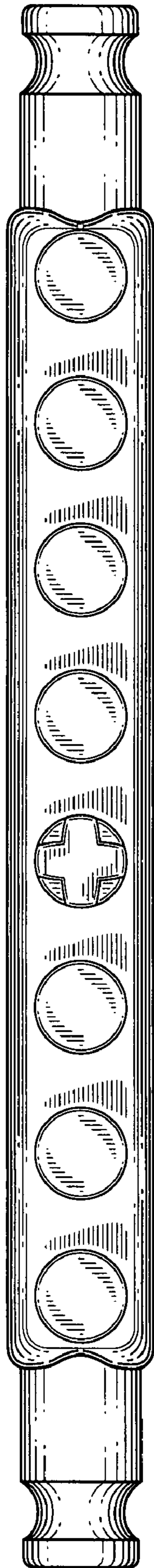




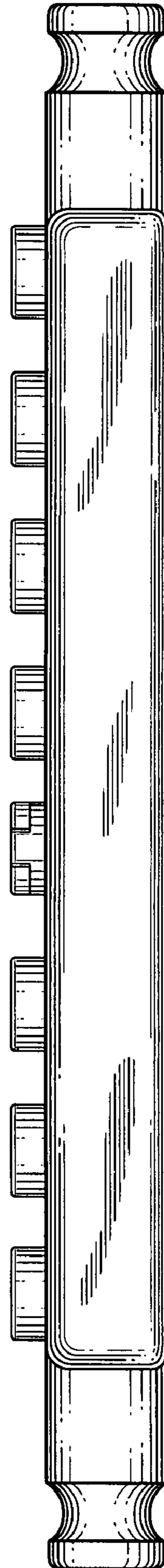
**FIG. 4**



**FIG. 1**



**FIG. 2**



**FIG. 3**