



US00D553201S

(12) **United States Design Patent** (10) **Patent No.:** **US D553,201 S**  
**Glickman et al.** (45) **Date of Patent:** **\*\* Oct. 16, 2007**

(54) **CONSTRUCTION TOY COMPONENT**

(75) Inventors: **Joel Glickman**, Jupiter, FL (US);  
**Matthias F. W. Doepner**, Harleysville,  
PA (US); **Michael Klitsch**, Quakertown,  
PA (US)

(73) Assignee: **K’NEX Limited Partnership Group**,  
Hatfield, PA (US)

(\*\*) Term: **14 Years**

(21) Appl. No.: **29/272,099**

(22) Filed: **Feb. 1, 2007**

(51) **LOC (8) Cl.** ..... **21-01**

(52) **U.S. Cl.** ..... **D21/485; D21/491**

(58) **Field of Classification Search** ..... D21/484–505;  
D25/113–118; 446/69, 85, 101–128  
See application file for complete search history.

(56) **References Cited**

**U.S. PATENT DOCUMENTS**

D279,915 S *	7/1985	Arnau Pibet .....	D21/500
D285,583 S *	9/1986	Kassai .....	D21/491
D368,939 S *	4/1996	Frederiksen .....	D21/500
D387,398 S *	12/1997	Øhrwald .....	D21/503
D417,705 S *	12/1999	Rudy .....	D21/501
D465,247 S *	11/2002	Sorensen .....	D21/500

\* cited by examiner

*Primary Examiner*—Holly H. Baynham

*Assistant Examiner*—Cynthia M. Chin

(74) *Attorney, Agent, or Firm*—Schweitzer Cornman Gross  
& Bondell LLP

(57) **CLAIM**

The ornamental design for a construction toy component, as shown and described.

**DESCRIPTION**

FIG. 1 is a top perspective view of a construction toy component;

FIG. 2 is a top plan view of the construction toy component of FIG. 1;

FIG. 3 is a side elevation view of the construction toy component of FIG. 1;

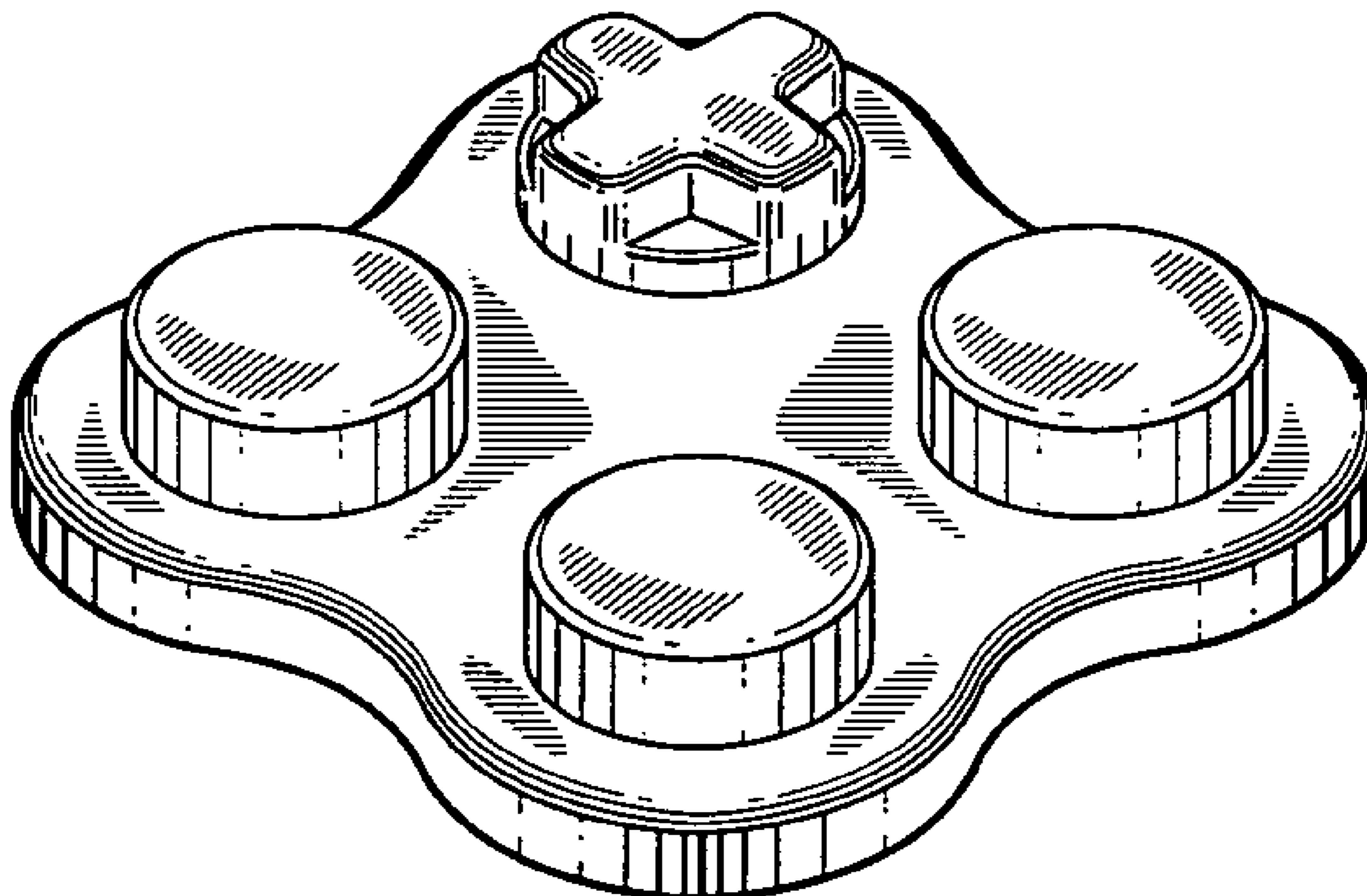
FIG. 4 is an opposite side elevation view of the construction toy component of FIG. 1, the rear being a mirror image; and,

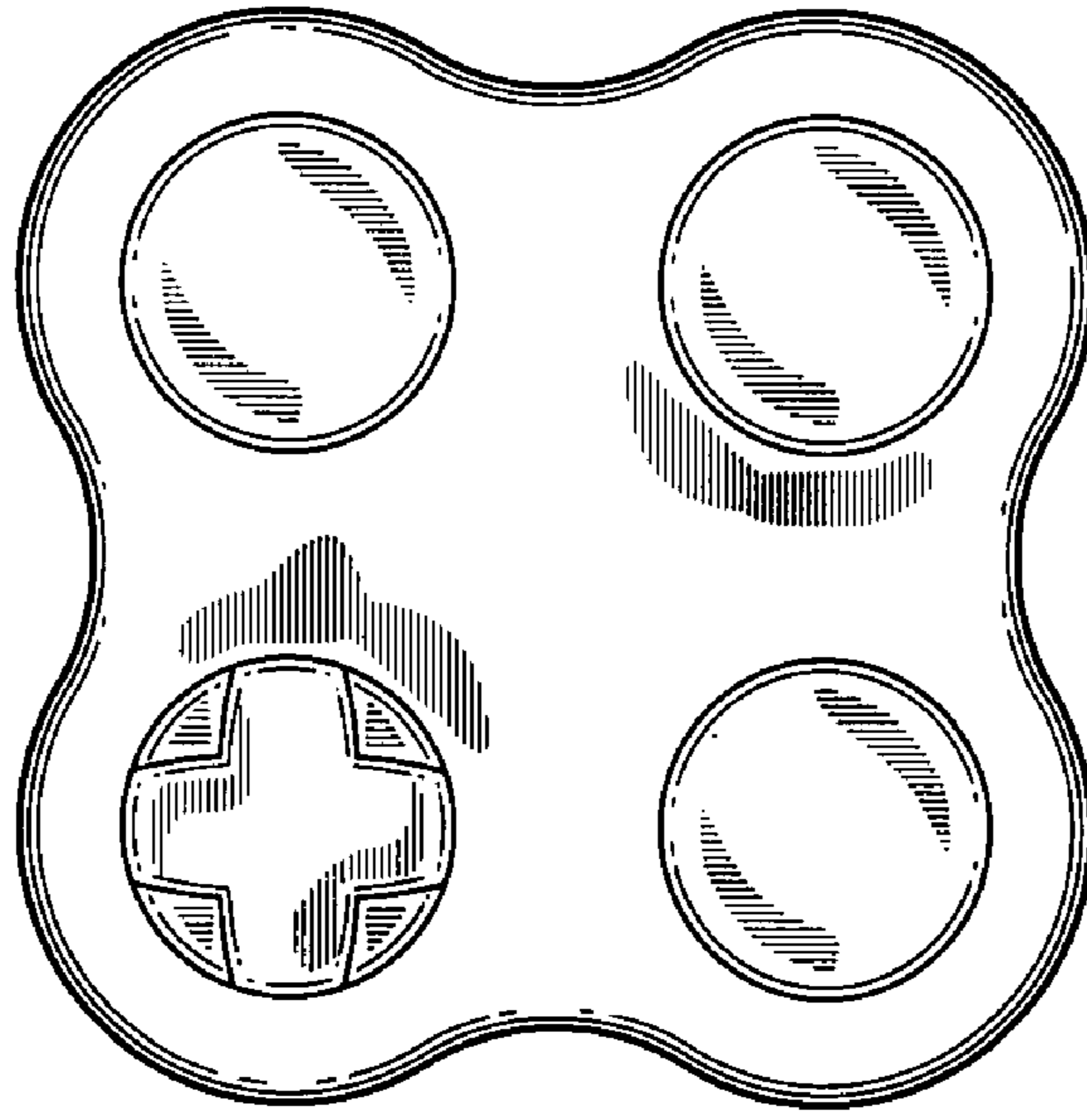
FIG. 5 is front elevation view of the construction toy component of FIG. 1.

The bottom of the construction toy component forms no part of the claimed design.

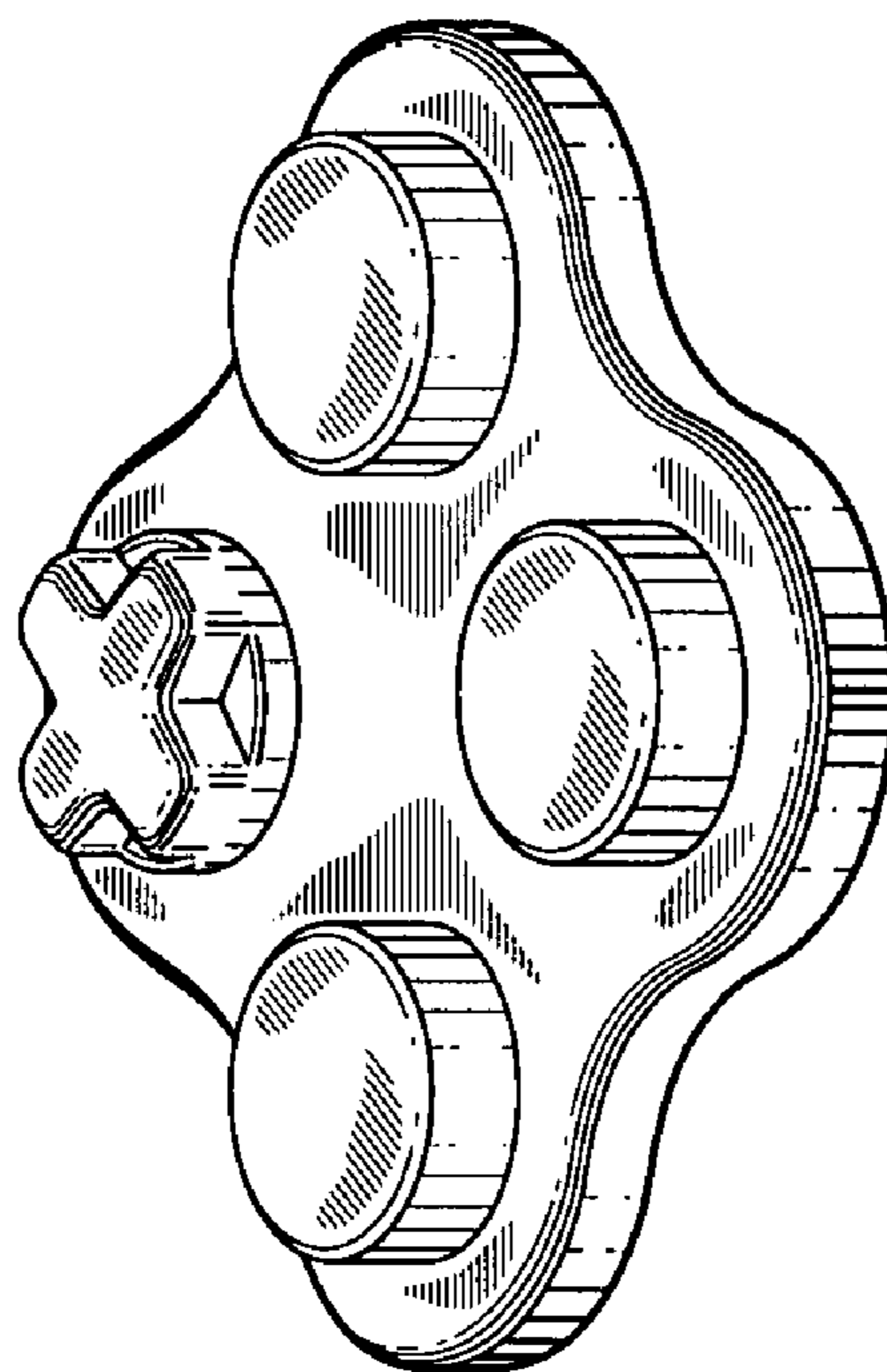
The broken lines in the figures indicate environmental structure that form no part of the design to be patented.

**1 Claim, 2 Drawing Sheets**

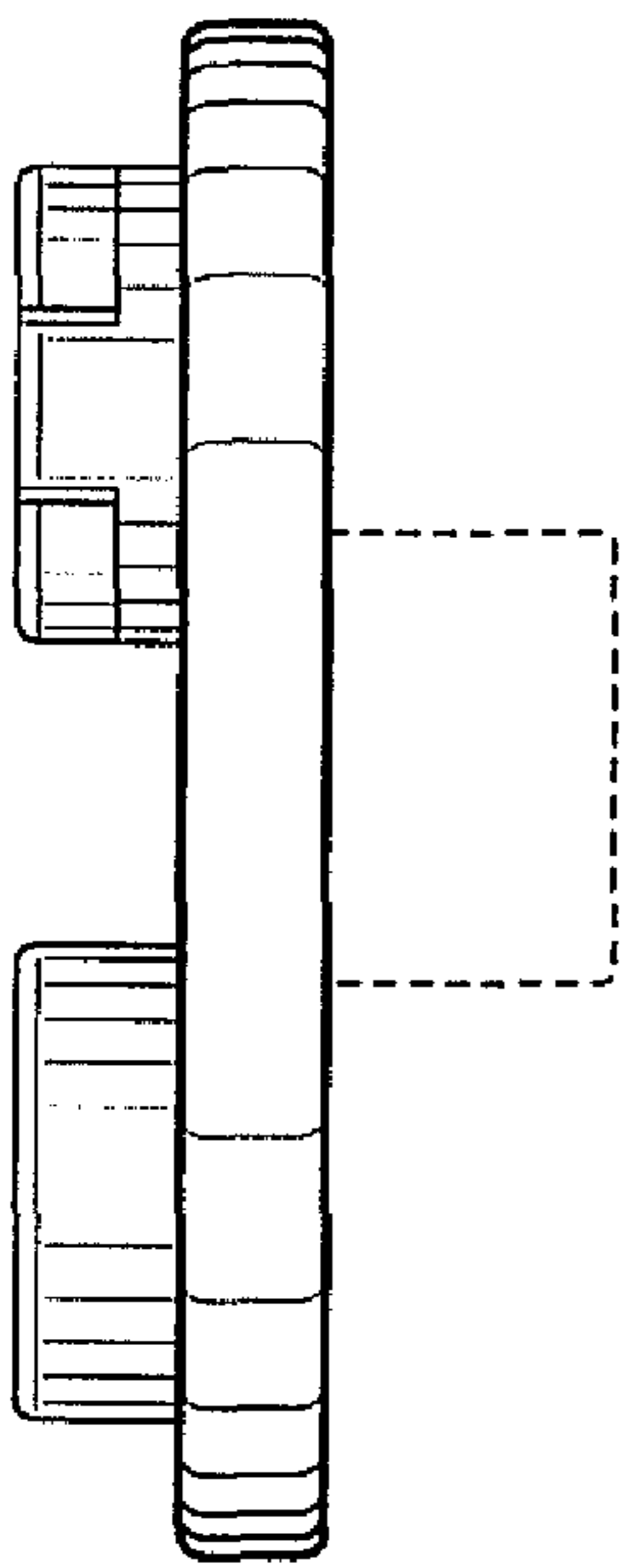




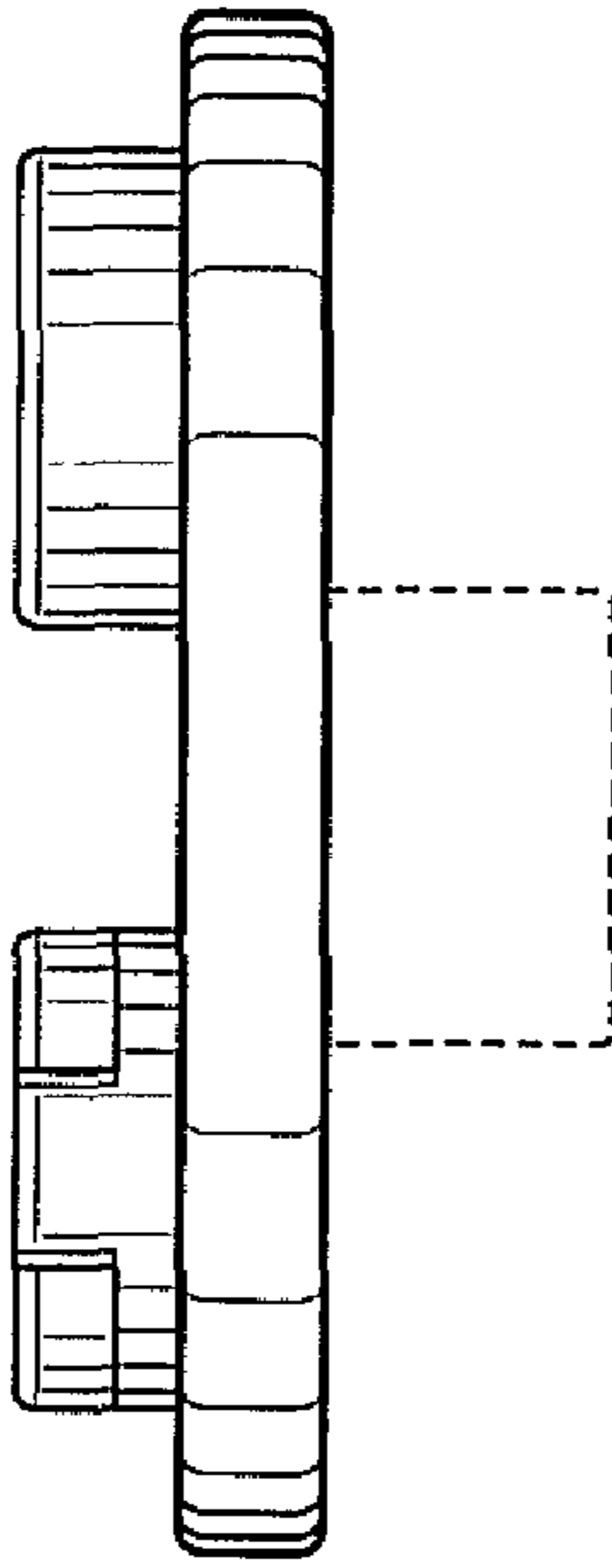
**FIG. 2**



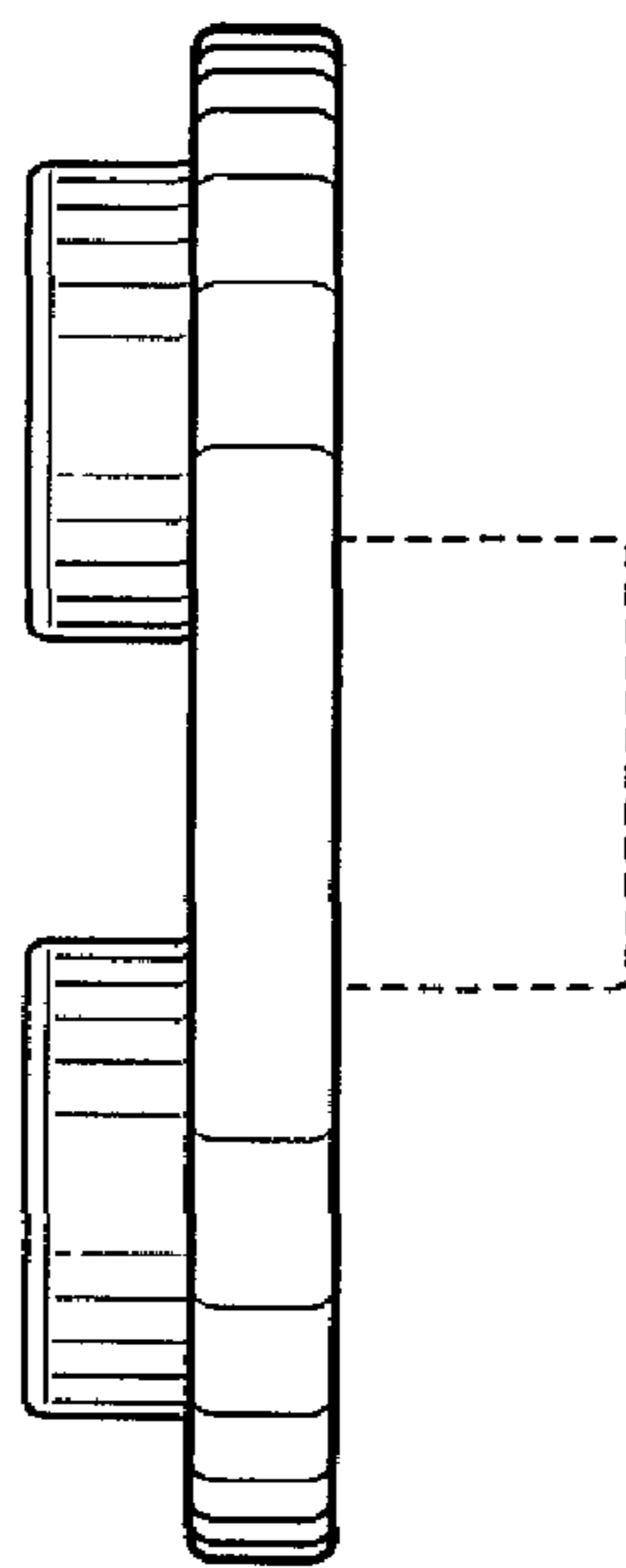
**FIG. 1**



**FIG. 3**



**FIG. 5**



**FIG. 4**