



US00D553198S

(12) **United States Design Patent** (10) **Patent No.:** **US D553,198 S**
Atri (45) **Date of Patent:** **** Oct. 16, 2007**

(54) **THREE-WHEELED VELOCIPEDE WITHOUT PEDALS**

(75) Inventor: **Eduardo Bucay Atri**, Mexico City (MX)

(73) Assignee: **Play and Run Natural S.A. de C.V.**, Delegacion Cuauhtemoc (MX)

(**) Term: **14 Years**

(21) Appl. No.: **29/261,753**

(22) Filed: **Jun. 19, 2006**

(30) **Foreign Application Priority Data**

Dec. 19, 2005 (MX) PA/f/2005/002167

(51) **LOC (8) Cl.** **21-01**

(52) **U.S. Cl.** **D21/435**

(58) **Field of Classification Search** D21/419, D21/421, 423, 424, 426, 433, 435, 533, 538, D21/760, 765, 771; D12/107, 111-113, 114, D12/117, 118-121; 280/87.021, 87.041, 280/239, 263, 282, 288.1-288.4; 180/180, 180/181

See application file for complete search history.

(56) **References Cited**

U.S. PATENT DOCUMENTS

- 210,435 A 12/1878 Root
- 1,663,121 A 3/1928 Dudek et al.
- 1,664,858 A 4/1928 Headley
- 2,597,748 A 5/1952 Powell
- 3,140,100 A 7/1964 Nichols et al.
- 3,229,782 A 1/1966 Hilton
- 4,526,390 A 7/1985 Skolnik
- D305,134 S * 12/1989 Rubio et al. D21/423
- 5,039,121 A 8/1991 Holter
- D352,921 S * 11/1994 Pepe D12/110
- 5,785,331 A 7/1998 Rappaport
- D443,000 S * 5/2001 Chen D21/423
- D444,184 S * 6/2001 Kettler D21/423

- D445,145 S * 7/2001 Yang D21/423
- D449,860 S * 10/2001 Lin D21/423
- D476,042 S * 6/2003 Hsieh D21/423
- D487,908 S * 3/2004 Mayer et al. D21/423
- D492,367 S * 6/2004 Dennis D21/423
- D495,757 S 9/2004 Juteau et al.
- D497,957 S * 11/2004 Chuang D21/423
- D497,958 S 11/2004 Campbell
- 6,830,255 B2 * 12/2004 Cheng 280/87.041
- D504,920 S * 5/2005 Hong D21/423
- D508,093 S * 8/2005 Wu D21/421

FOREIGN PATENT DOCUMENTS

GB 2051199 1/1981

* cited by examiner

Primary Examiner—Holly H. Baynham

Assistant Examiner—Cynthia M. Chin

(74) *Attorney, Agent, or Firm*—Abelman, Frayne & Schwab

(57) **CLAIM**

The ornamental design for a three-wheeled velocipede without pedals, as shown and described.

DESCRIPTION

FIG. 1 is a front and right side perspective view from above, of a three-wheeled velocipede without pedals, constructed according to my new design, the front left side being substantially the mirror image thereof with the exception of the small protruding structure located on the main frame portion which receives the T-bar;

FIG. 2 is a front view thereof;

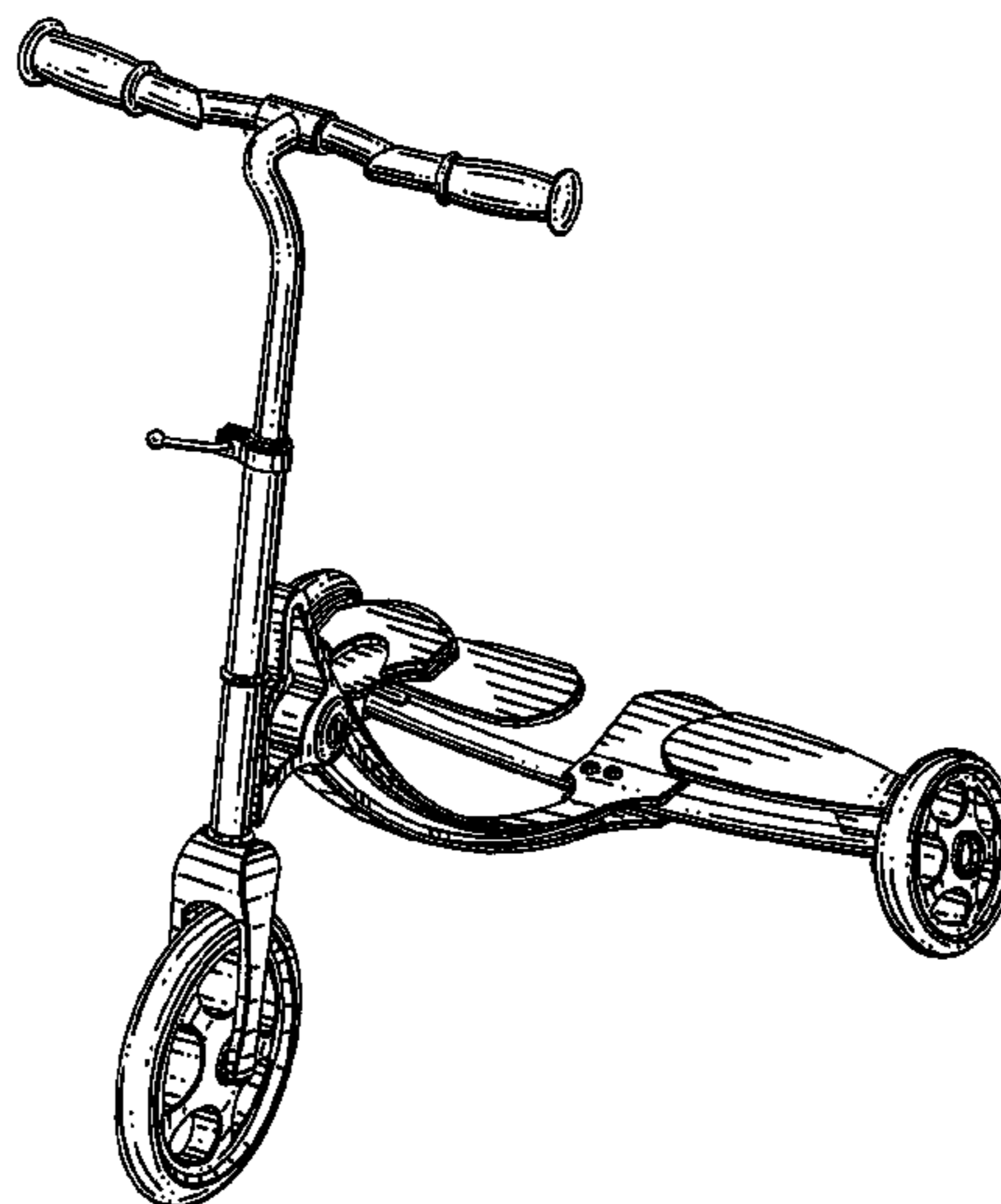
FIG. 3 is a right side elevational view thereof; the left side elevational view being substantially the mirror image thereof, with the exception of the small protruding structure located on the main frame portion which receives the T-bar;

FIG. 4 is a rear view thereof;

FIG. 5 is a top plan view thereof; and,

FIG. 6 is a bottom plan view thereof.

1 Claim, 6 Drawing Sheets



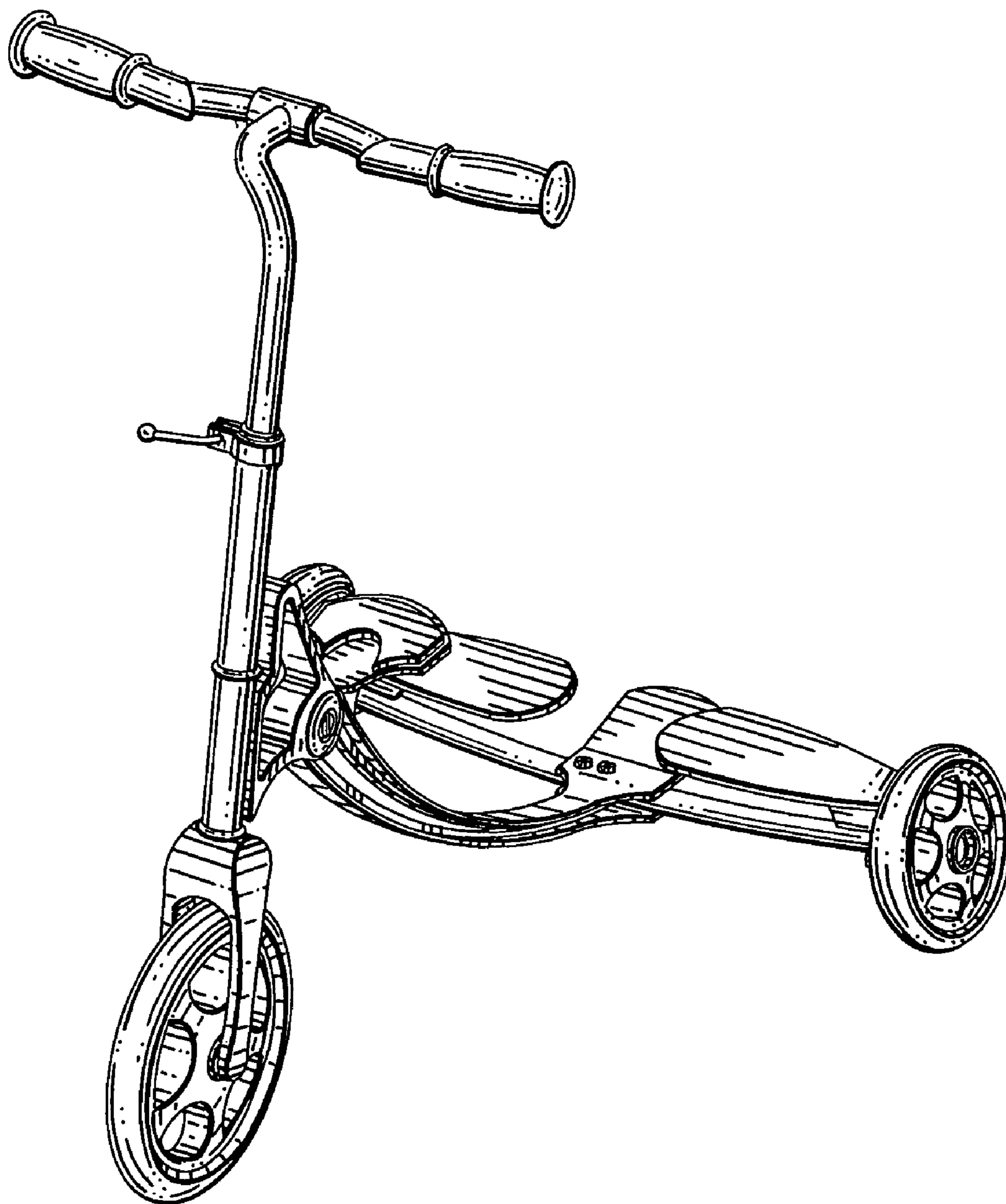


FIG. 1

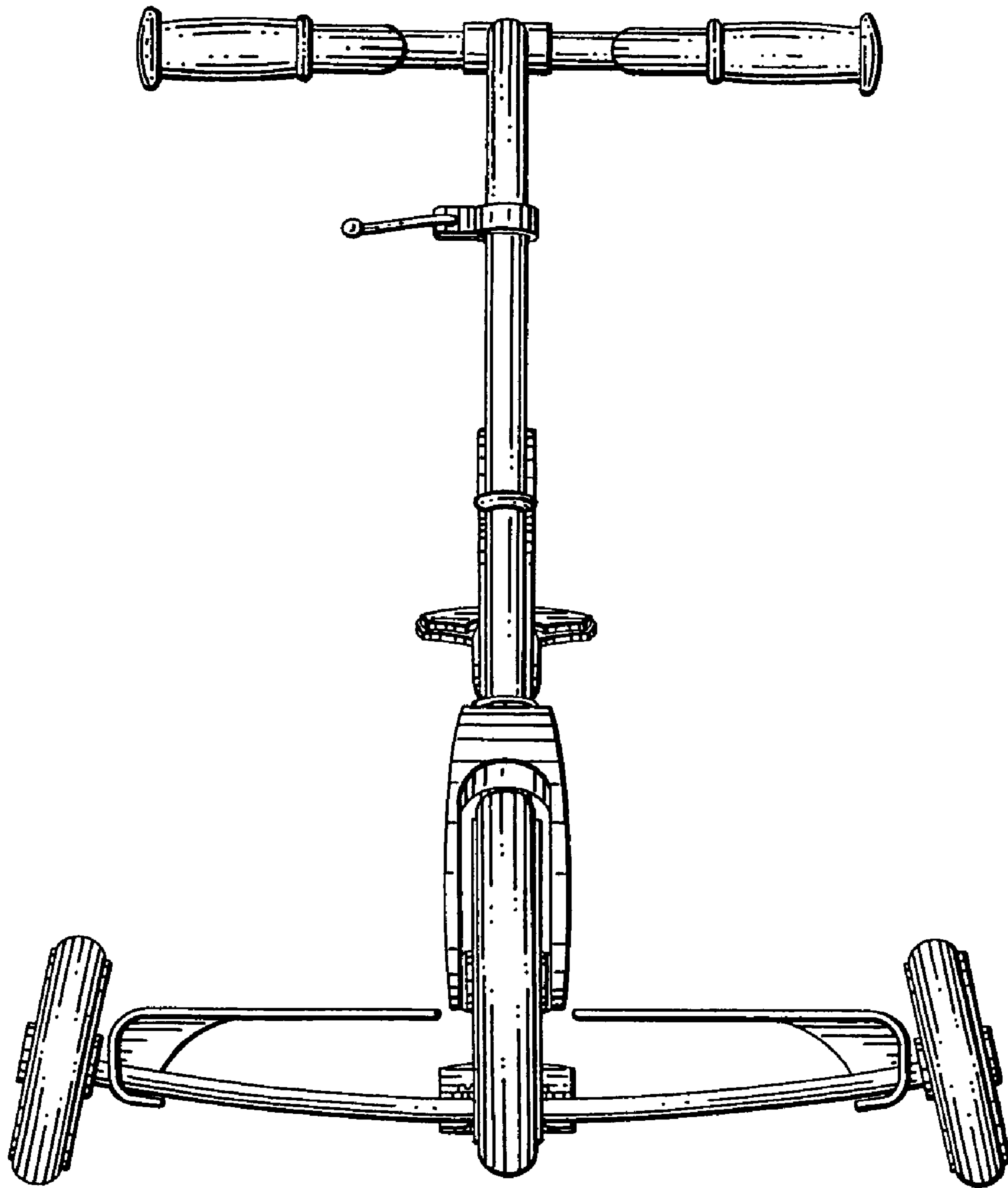


FIG. 2



FIG. 3

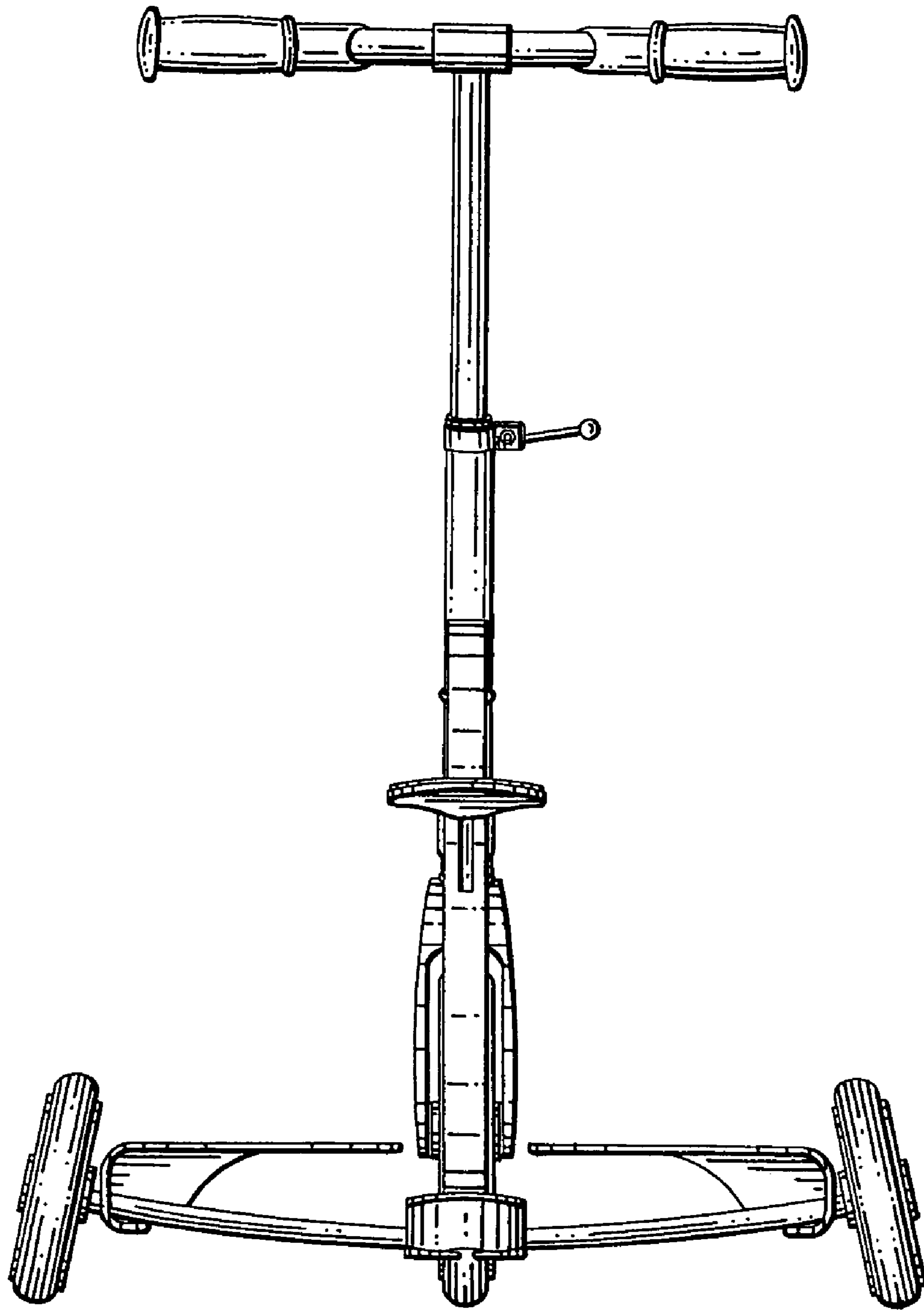


FIG. 4

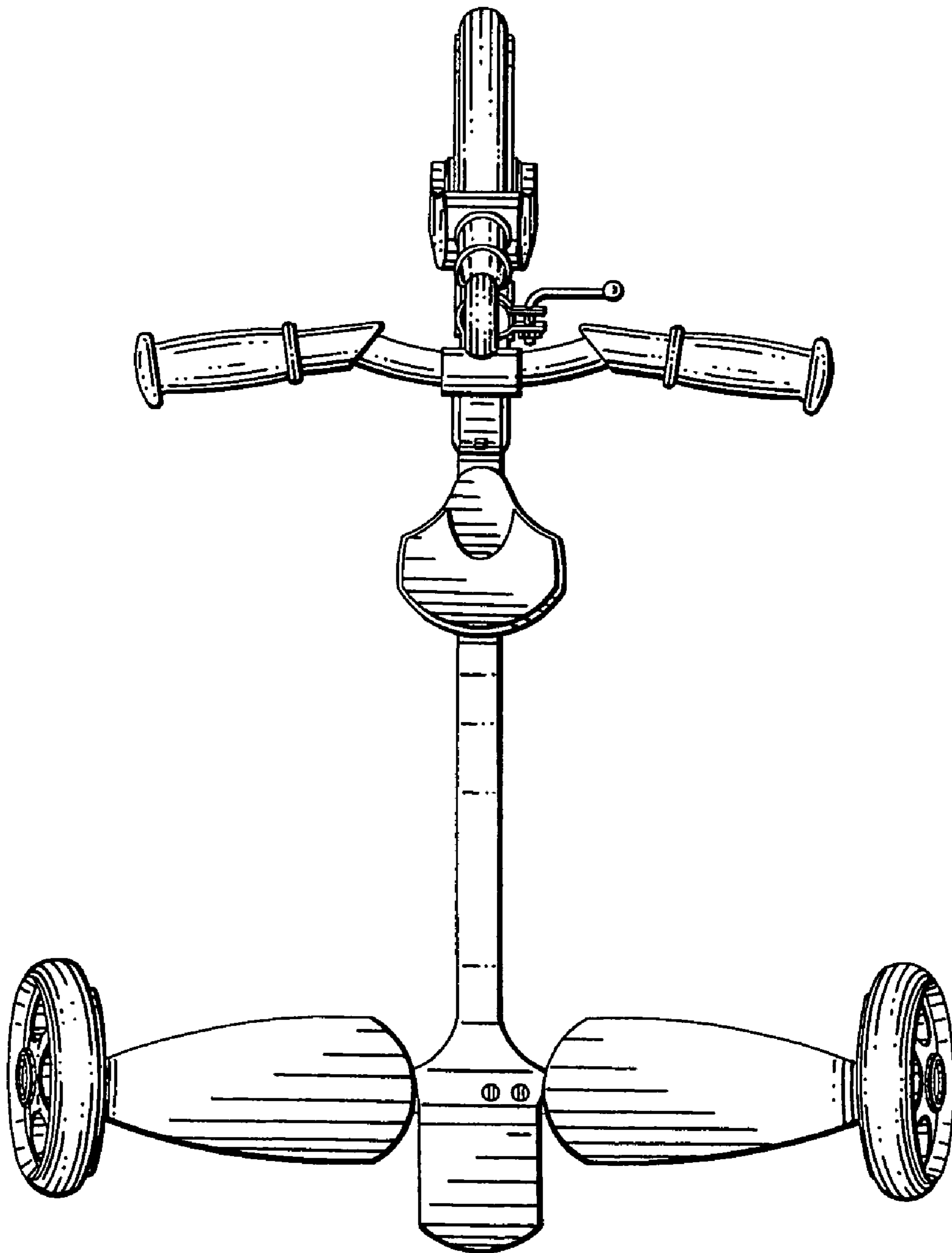


FIG. 5

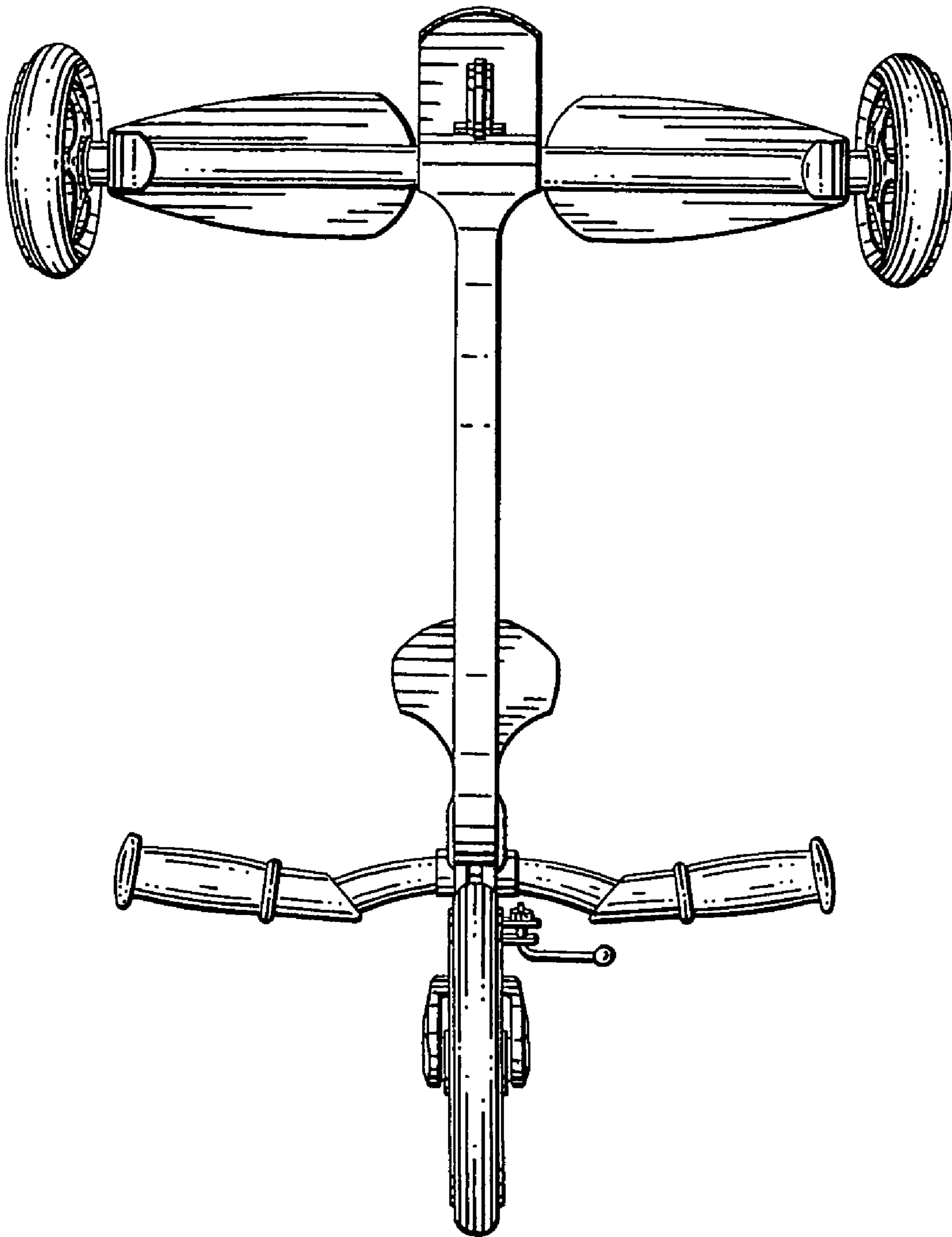


FIG. 6