



US00D553197S

(12) **United States Design Patent** (10) **Patent No.:** **US D553,197 S**
Tanabe et al. (45) **Date of Patent:** **** Oct. 16, 2007**

(54) **SLOT MACHINE**

(75) Inventors: **Yasuaki Tanabe**, Tokyo (JP); **Naoki Shibasaki**, Tokyo (JP)

(73) Assignee: **Aruze Corporation**, Tokyo (JP)

(**) Term: **14 Years**

(21) Appl. No.: **29/265,357**

(22) Filed: **Aug. 31, 2006**

(30) **Foreign Application Priority Data**

Mar. 8, 2006 (JP) 2006-005815

(51) **LOC (8) Cl.** **21-03**

(52) **U.S. Cl.** **D21/370**

(58) **Field of Classification Search** D21/325,
D21/329, 369-371, 374, 385; D14/305,
D14/307, 336, 900-902; 463/16-17, 20,
463/25, 42, 46-47

See application file for complete search history.

(56) **References Cited**

U.S. PATENT DOCUMENTS

D459,402 S * 6/2002 Wurz et al. D21/369
D495,755 S * 9/2004 Wurz et al. D21/370
D513,044 S * 12/2005 Morrison D21/370

* cited by examiner

Primary Examiner—Sandra L. Morris
(74) *Attorney, Agent, or Firm*—Manabu Kanesaka

(57) **CLAIM**

The ornamental design for a slot machine, as shown and described.

DESCRIPTION

FIG. 1 is a front view of a slot machine showing our new design;

FIG. 2 is a rear view thereof;

FIG. 3 is a right side view thereof;

FIG. 4 is a left side view thereof;

FIG. 5 is a top plane view thereof;

FIG. 6 is a bottom plan view thereof;

FIG. 7 is a sectional view taken along line 7—7 in FIG. 1;

FIG. 8 is a sectional view taken along line 8—8 in FIG. 1;

FIG. 9 is a sectional view taken along line 9—9 in FIG. 1;

FIG. 10 is a sectional view taken along line 10—10 in FIG. 1;

FIG. 11 is a sectional view taken along line 11—11 in FIG. 1; and,

FIG. 12 is a perspective view thereof.

1 Claim, 12 Drawing Sheets

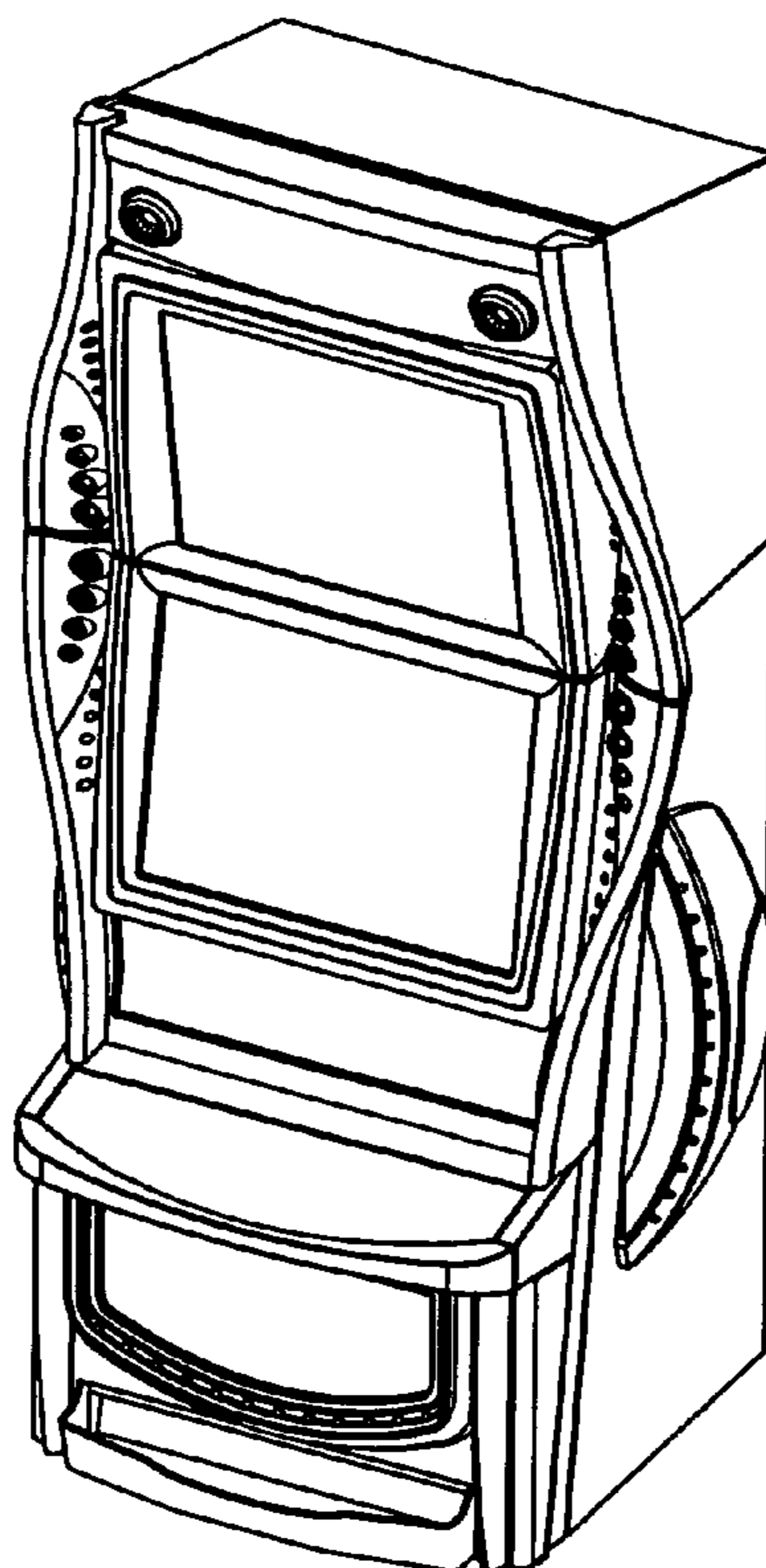


Fig. 1

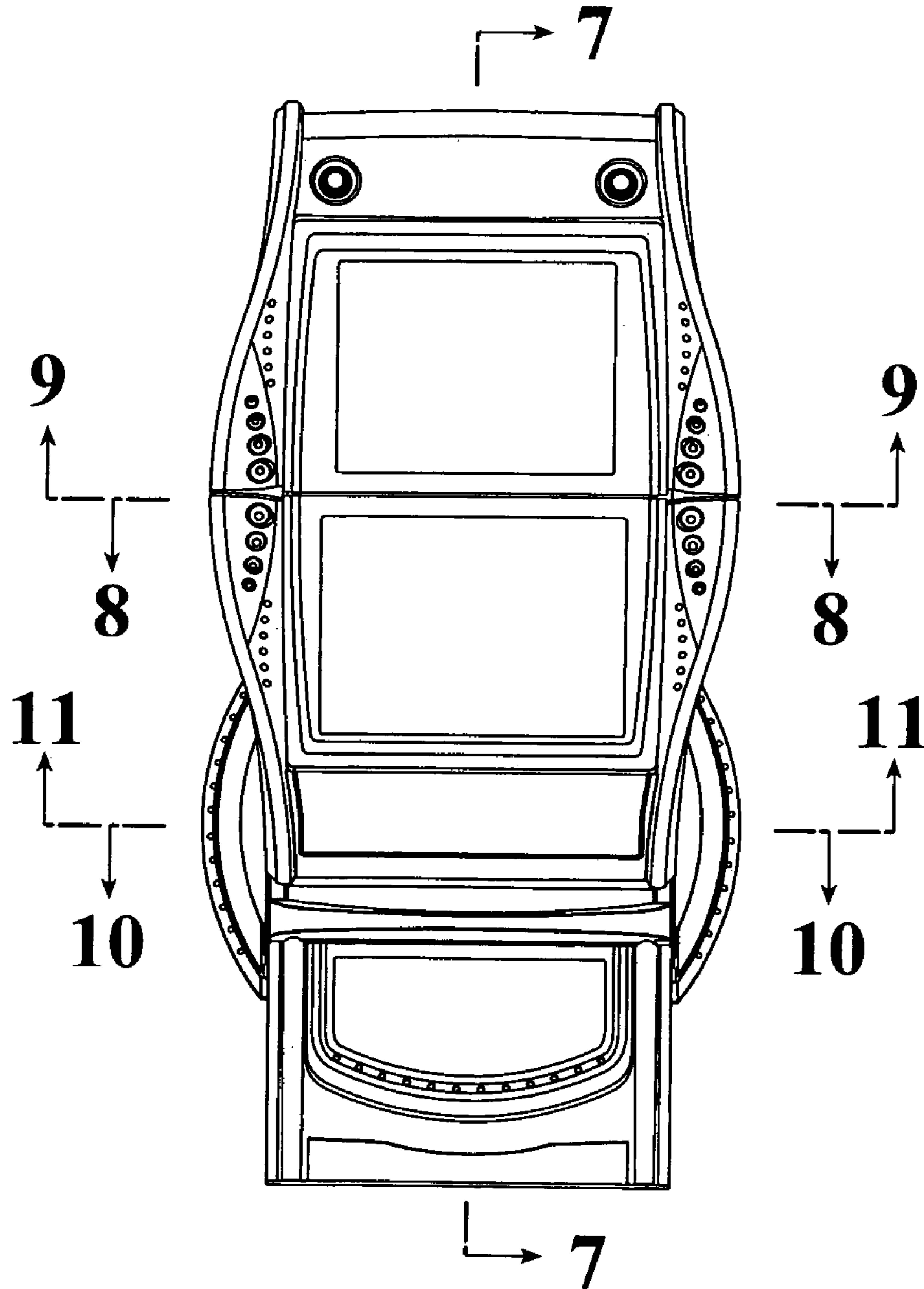


Fig. 2

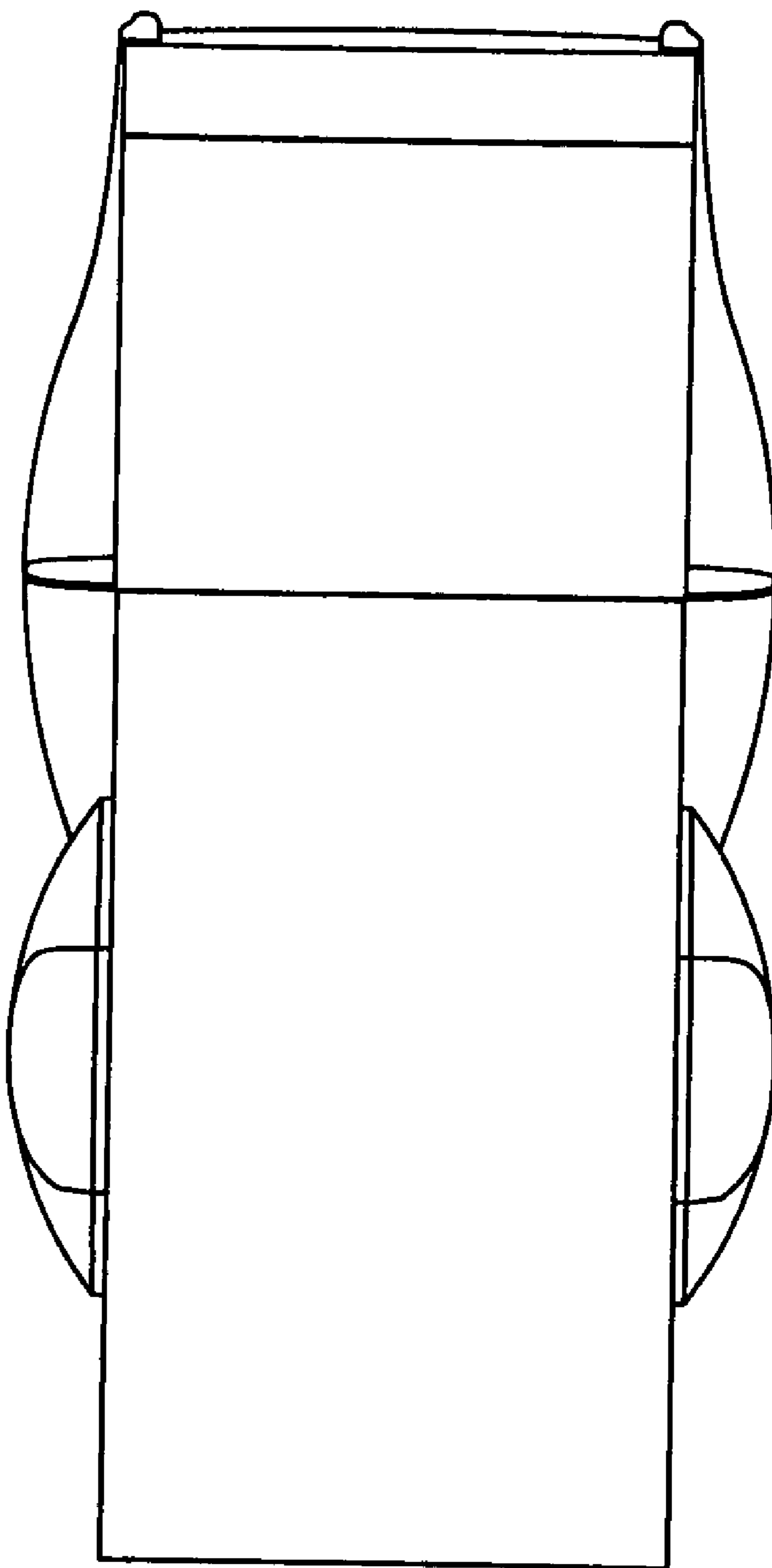


Fig. 3

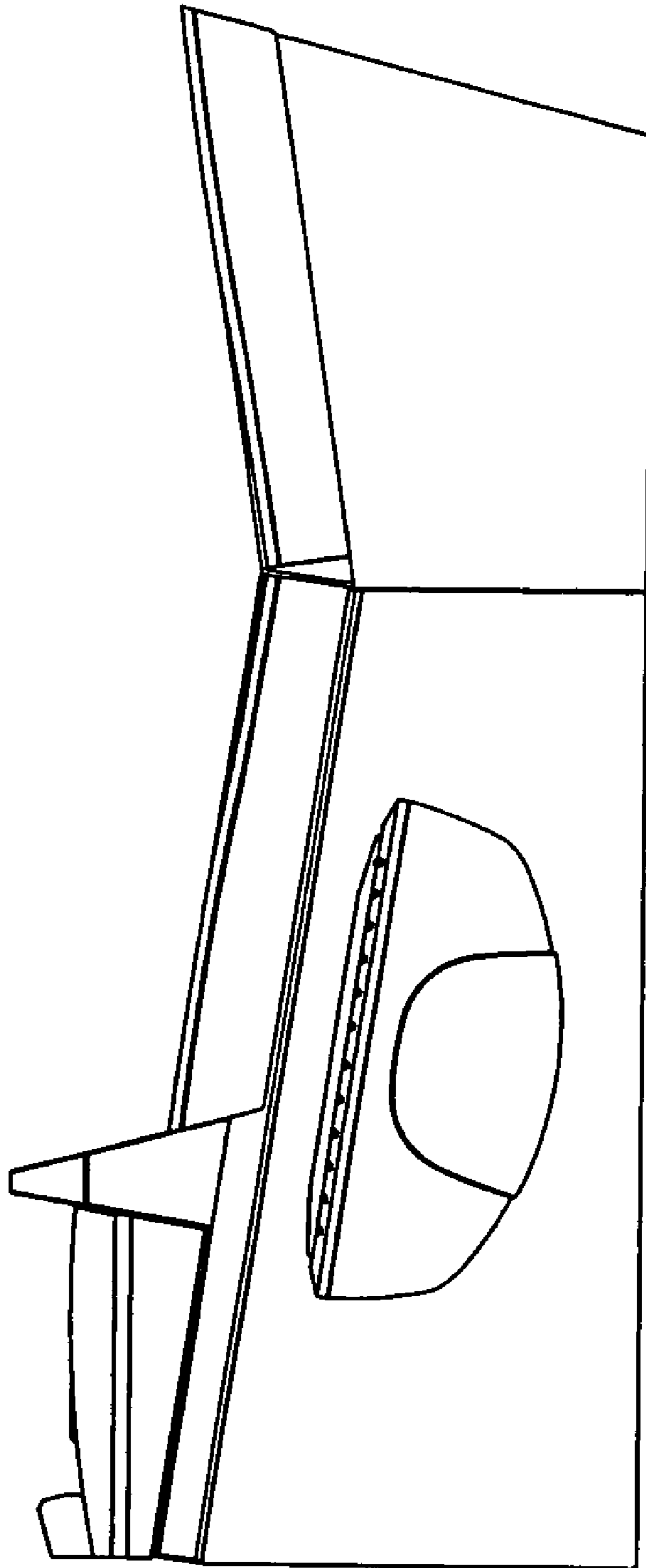


Fig. 4

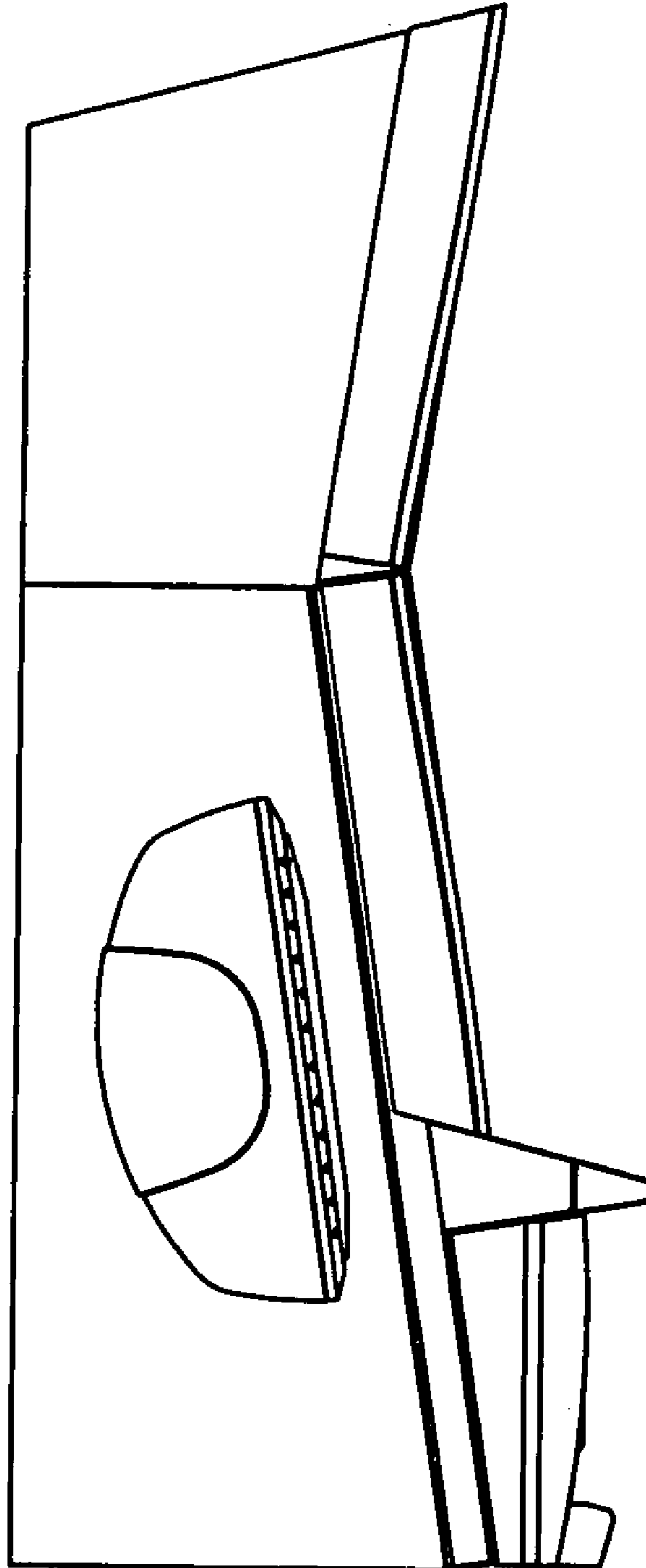


Fig. 5

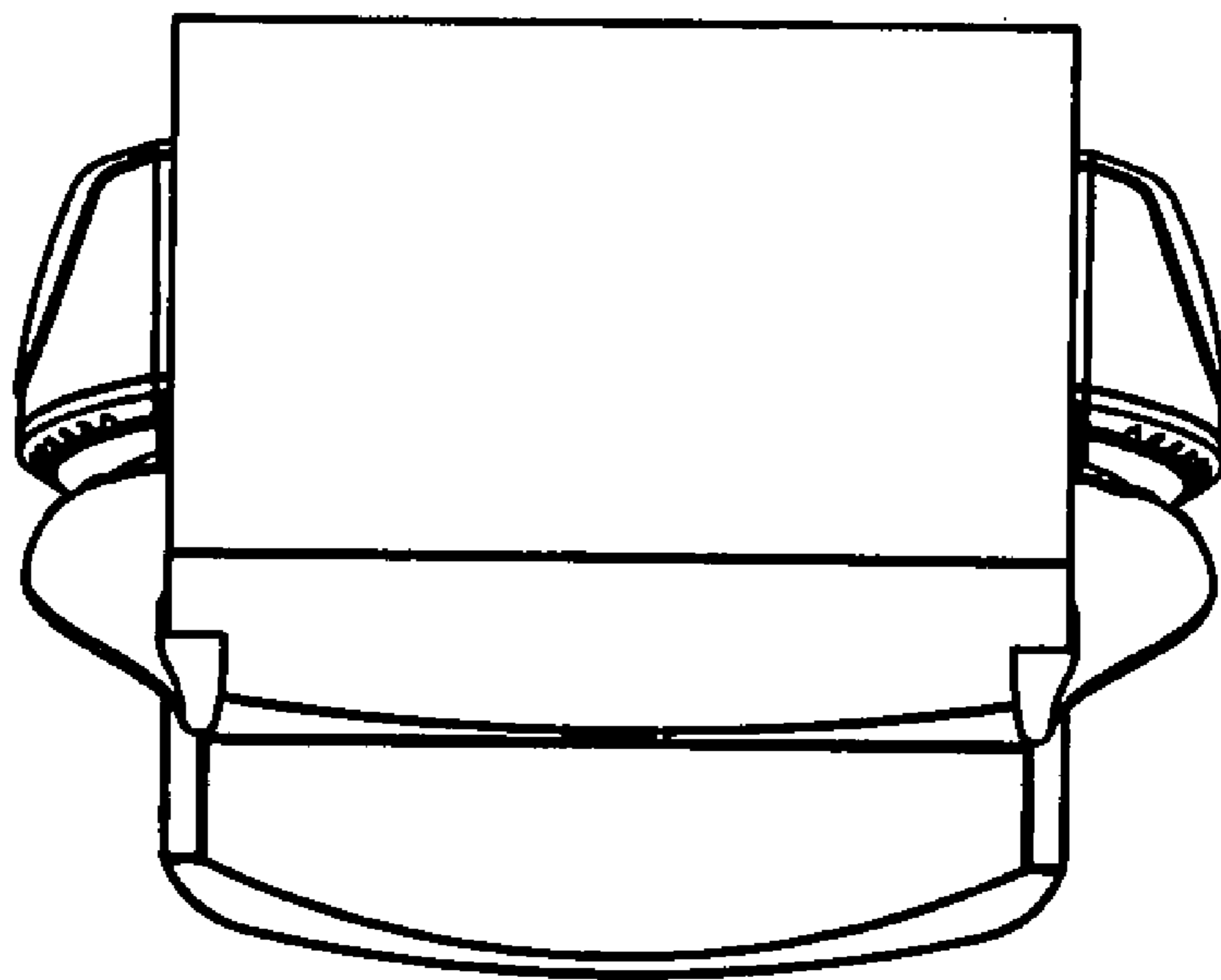


Fig. 6

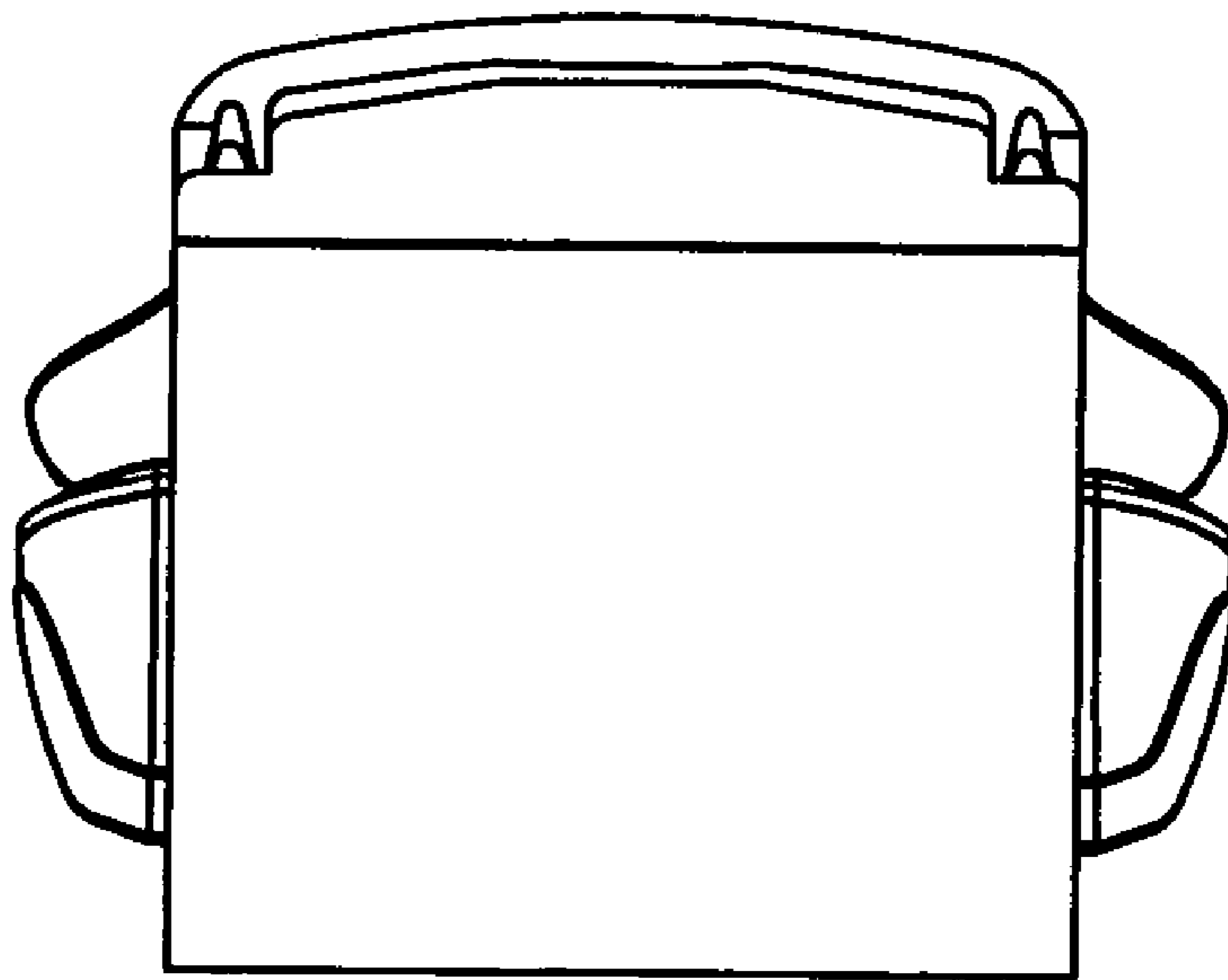


Fig. 7

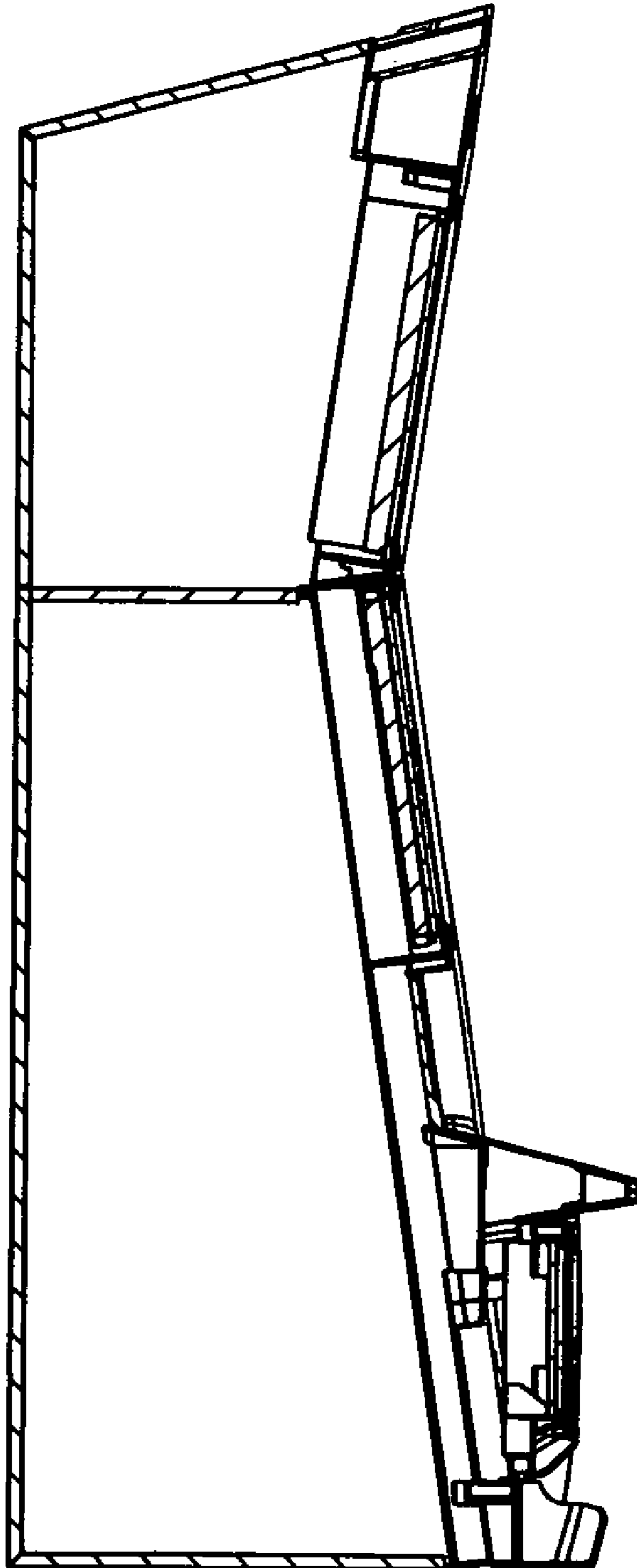


Fig. 8

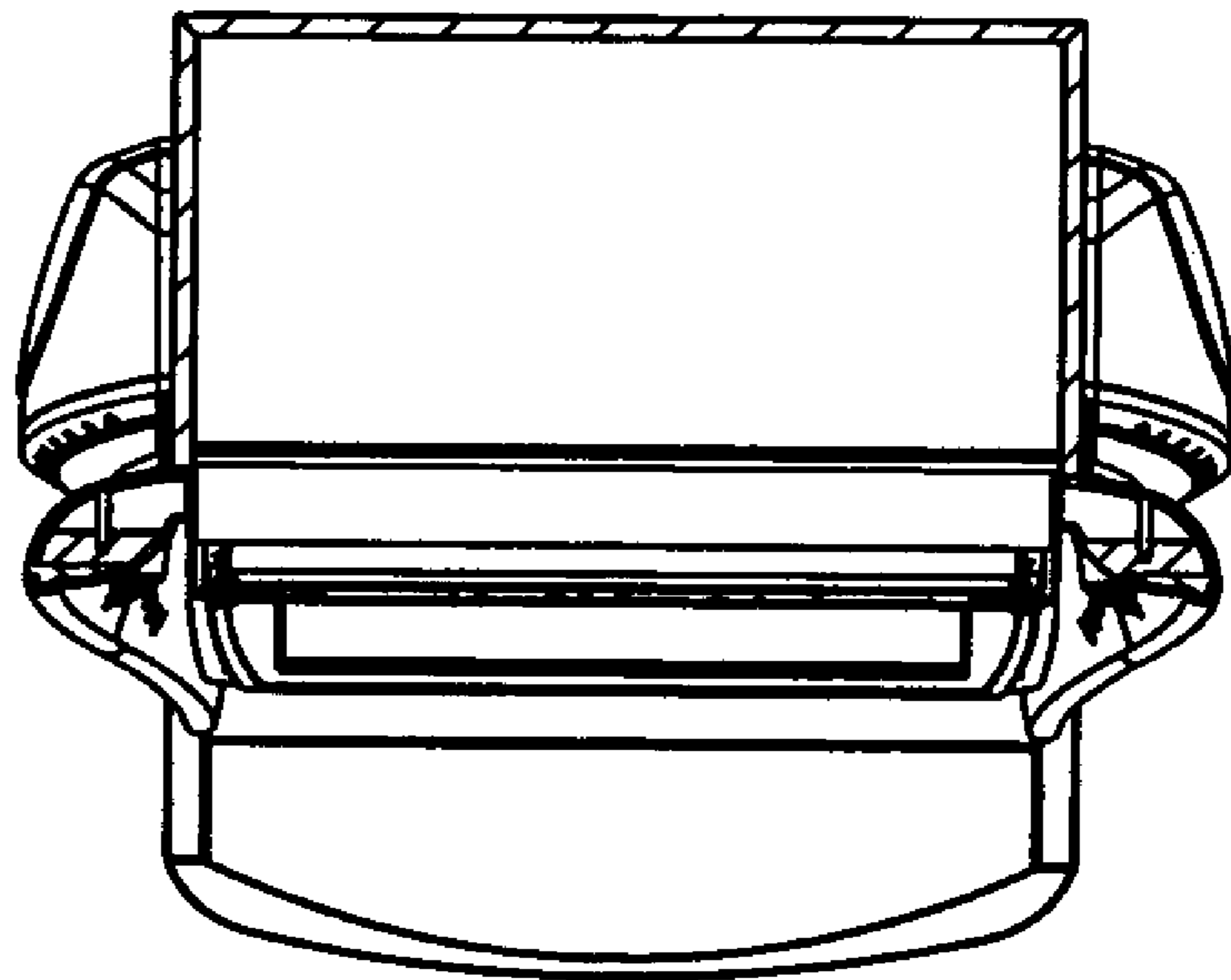


Fig. 9

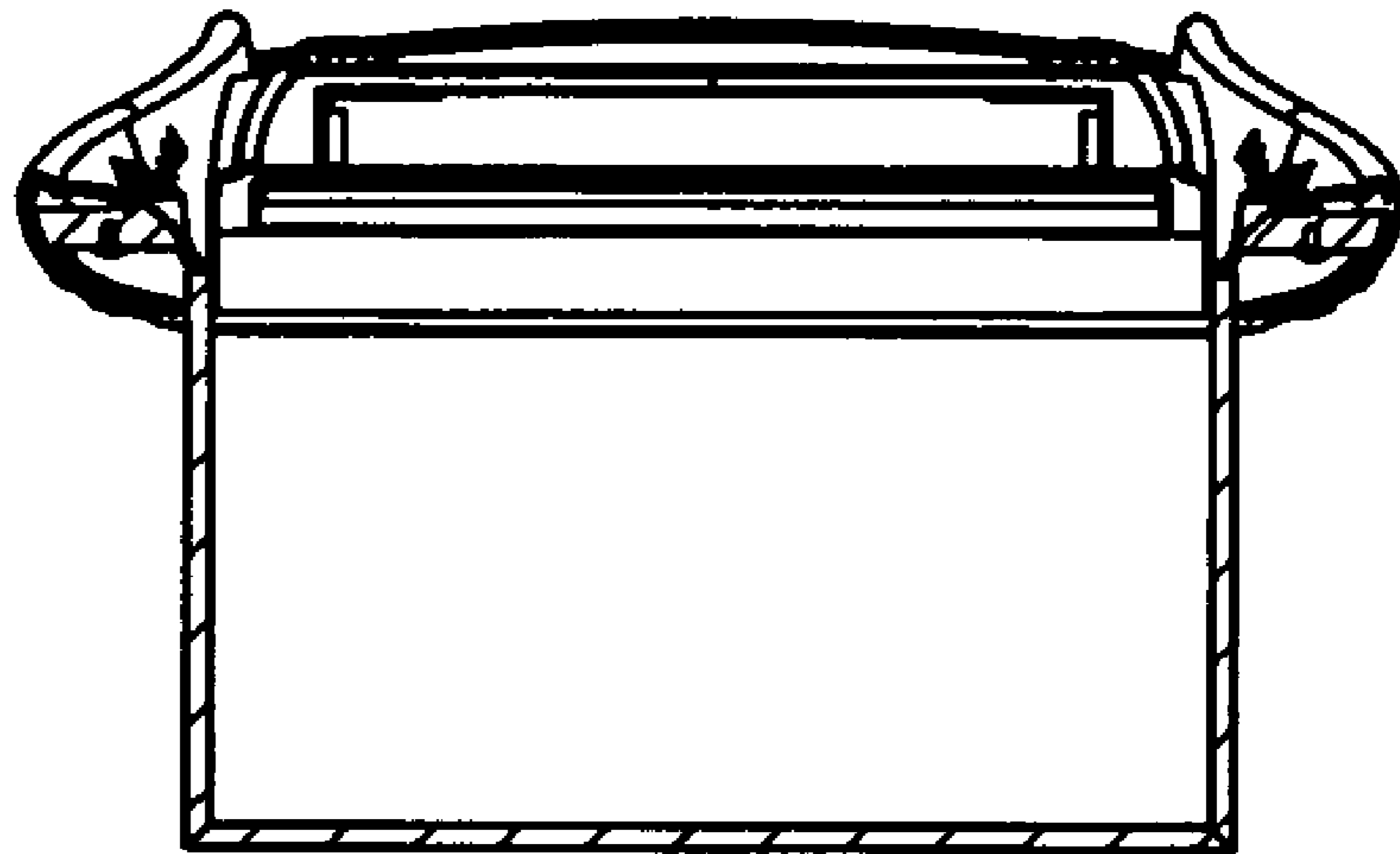


Fig. 10

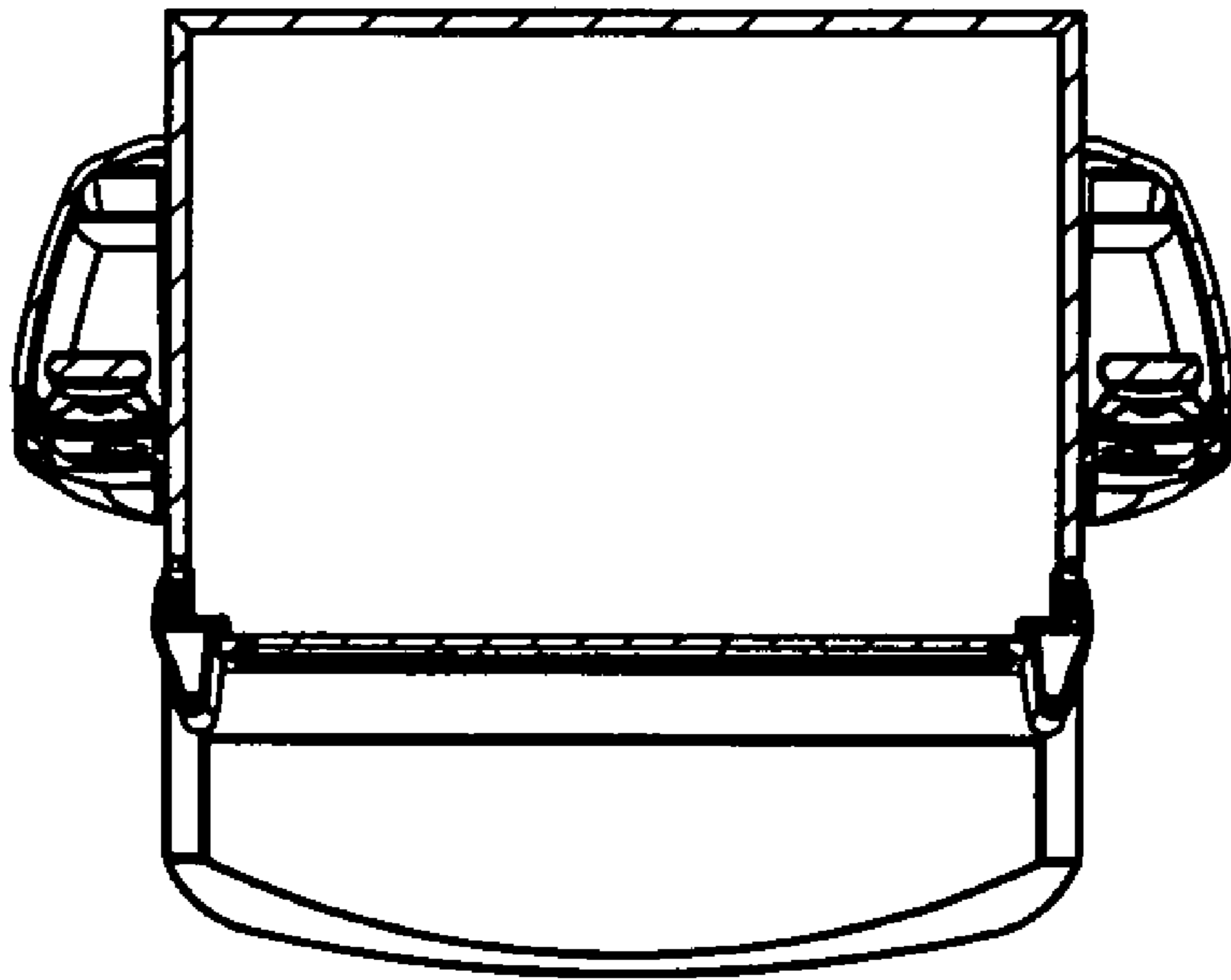


Fig. 11

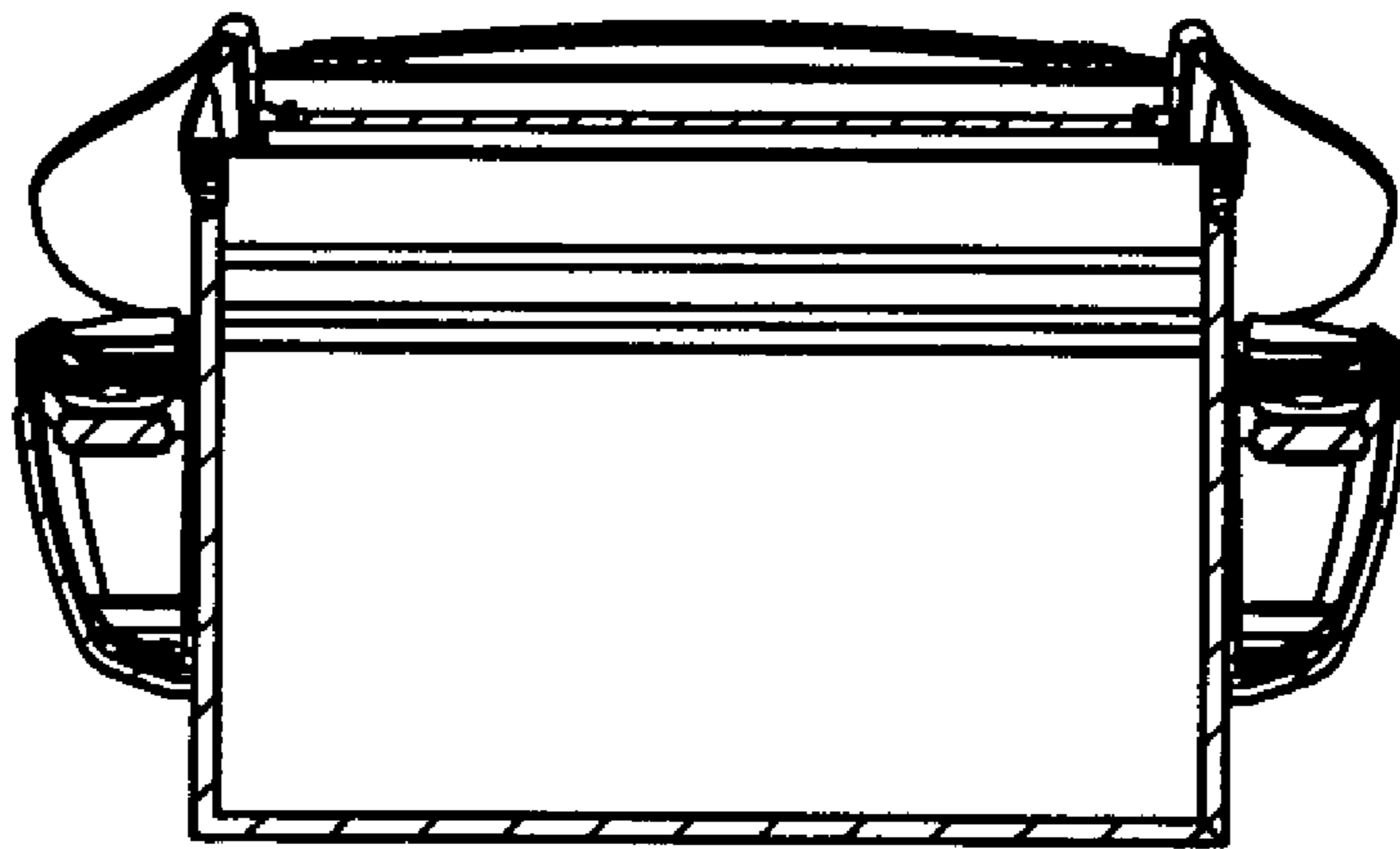


Fig. 12

