



US00D553194S

(12) **United States Design Patent**
Huang

(10) **Patent No.:** **US D553,194 S**

(45) **Date of Patent:** **** Oct. 16, 2007**

(54) **MULTI-FUNCTIONAL PEN HOLDER ASSEMBLY**

(76) Inventor: **Te-Ming Huang**, 5F.-11, No.16, Lane 609, Sec. 5, Chongsin Rd., Sanchong City, Taipei County 241 (TW)

(**) Term: **14 Years**

(21) Appl. No.: **29/245,389**

(22) Filed: **Dec. 23, 2005**

(51) **LOC (8) Cl.** **19-06**

(52) **U.S. Cl.** **D19/84**

(58) **Field of Classification Search** 211/40, 211/42, 45, 50, 10-11; D6/309-314, 407, D6/466-468, 475-476, 512, 553, 556, 589, D6/571; D19/65, 75-100; 40/661.05, 661.06, 40/661.07, 358, 725, 749; 206/224, 425
See application file for complete search history.

(56) **References Cited**

U.S. PATENT DOCUMENTS

- D316,090 S * 4/1991 Holloway et al. D14/143
- D486,963 S * 2/2004 Prince et al. D6/309
- D495,214 S * 8/2004 Joseph D7/631
- D541,041 S * 4/2007 Rich D3/208

* cited by examiner

Primary Examiner—Elizabeth A. Albert
Assistant Examiner—Karen E Eldridge Powers
(74) *Attorney, Agent, or Firm*—Troxell Law Office, PLLC

(57) **CLAIM**

The ornamental design for a multi-functional pen holder assembly, as shown and described.

DESCRIPTION

FIG. 1 is a perspective view of a multi-functional pen holder assembly;

FIG. 2 is a front view thereof;

FIG. 3 is a back view thereof;

FIG. 4 is a left side view thereof;

FIG. 5 is a right side view thereof;

FIG. 6 is a top view thereof;

FIG. 7 is a bottom view thereof;

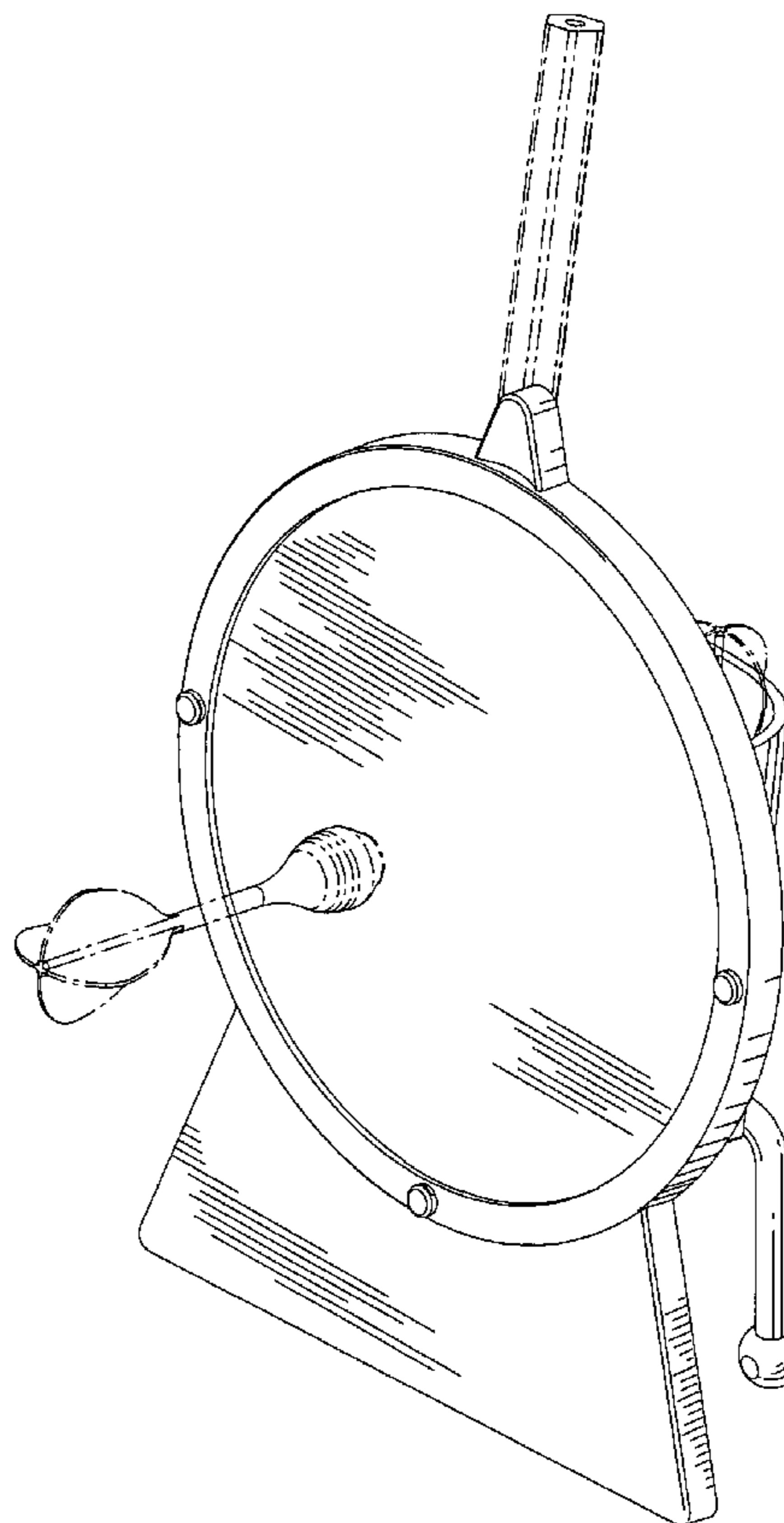
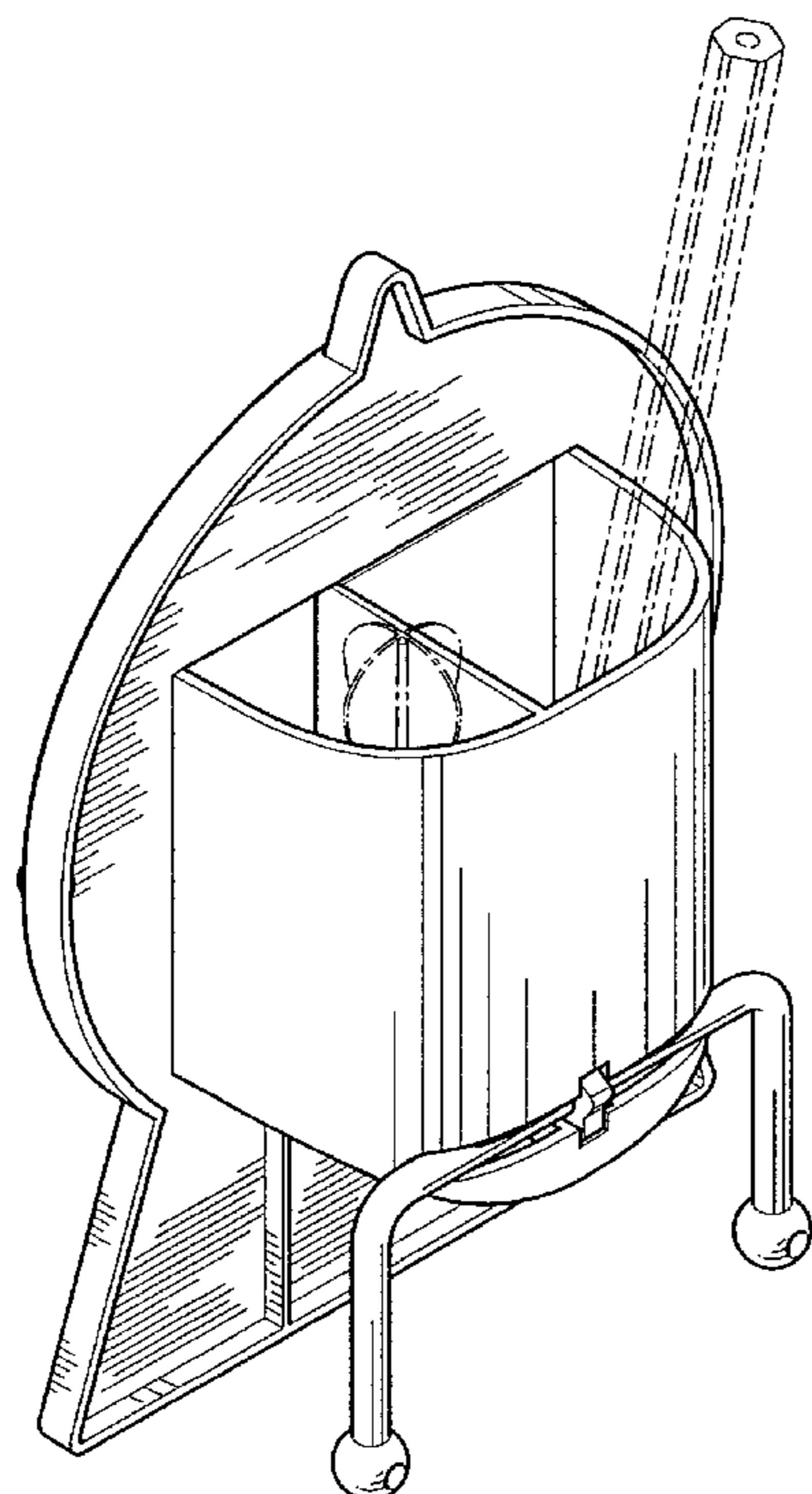
FIG. 8 is a perspective back view thereof;

FIG. 9 is a perspective front view thereof; and,

FIG. 10 is a perspective front view thereof.

The various items shown in broken lines are included for the purpose of ease of illustration and form no part of the claimed design.

1 Claim, 10 Drawing Sheets



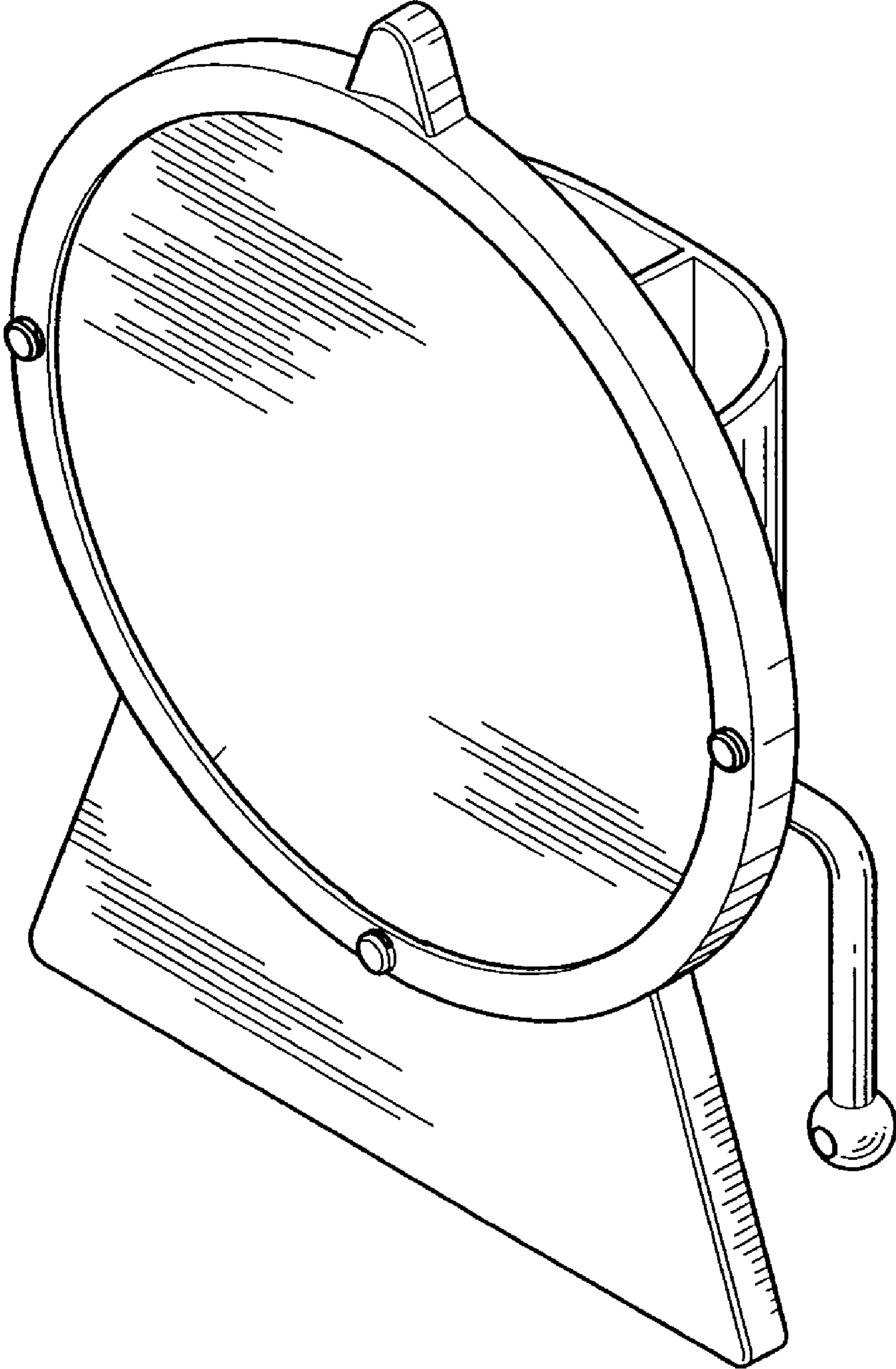


FIG.1

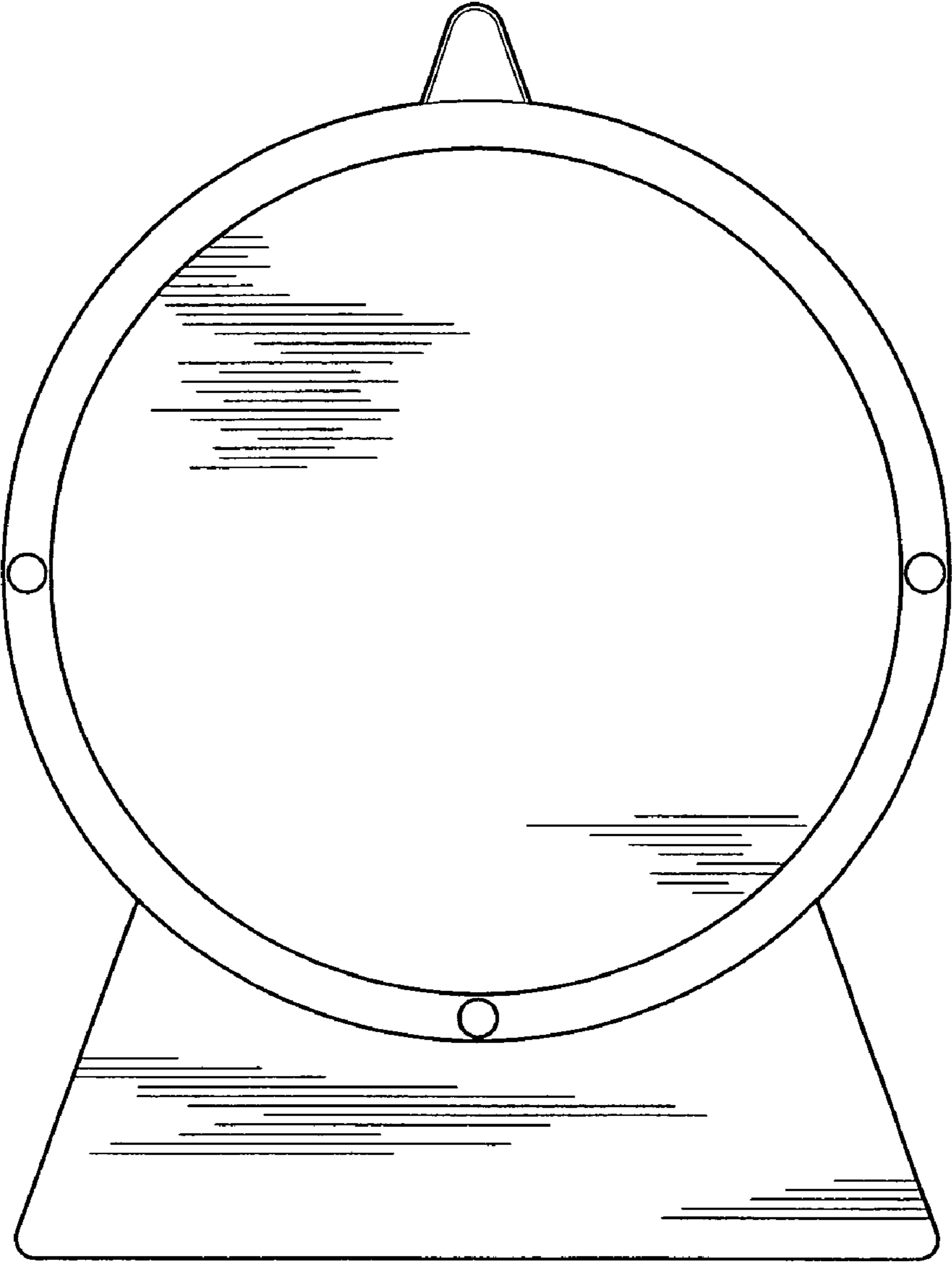


FIG. 2

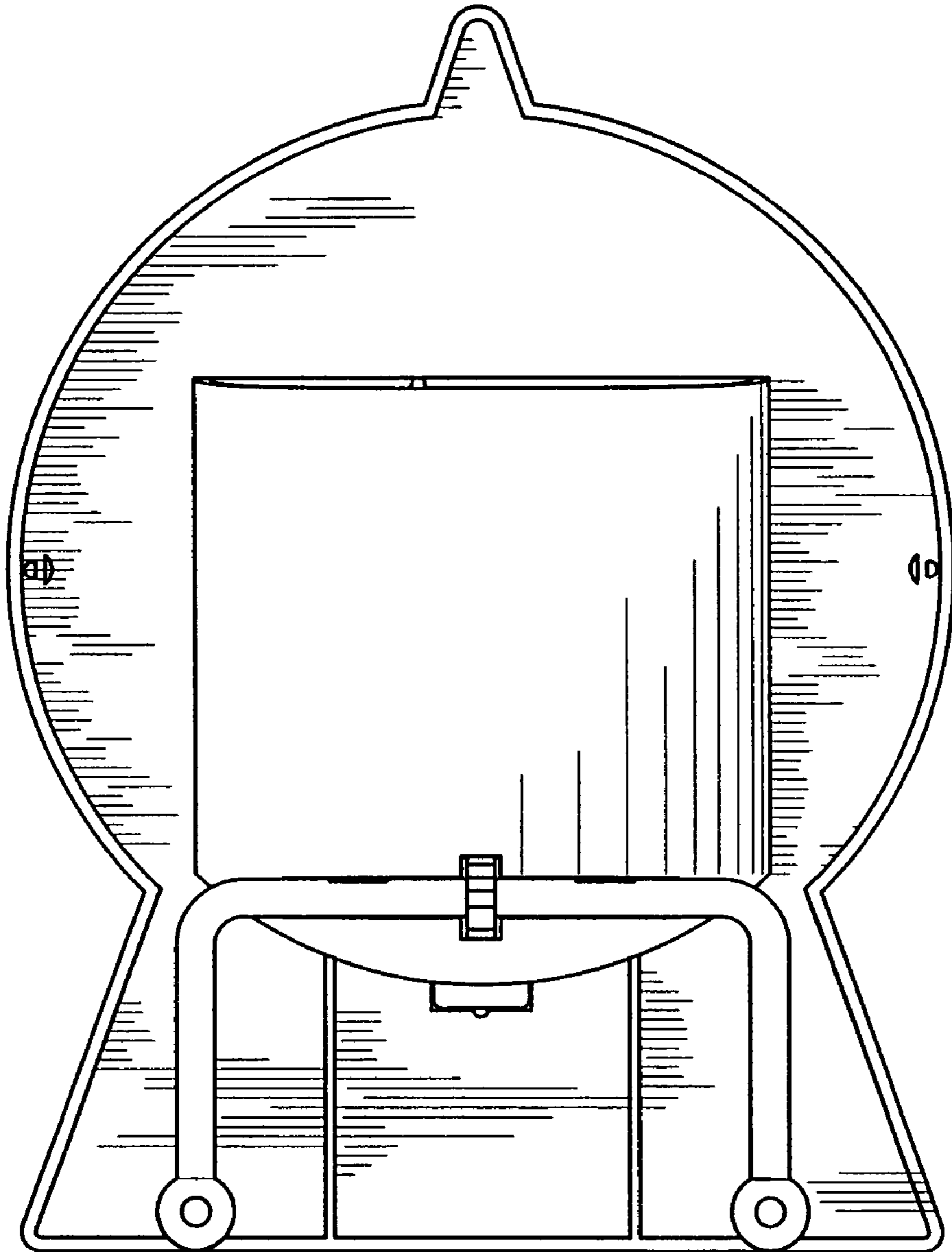


FIG.3

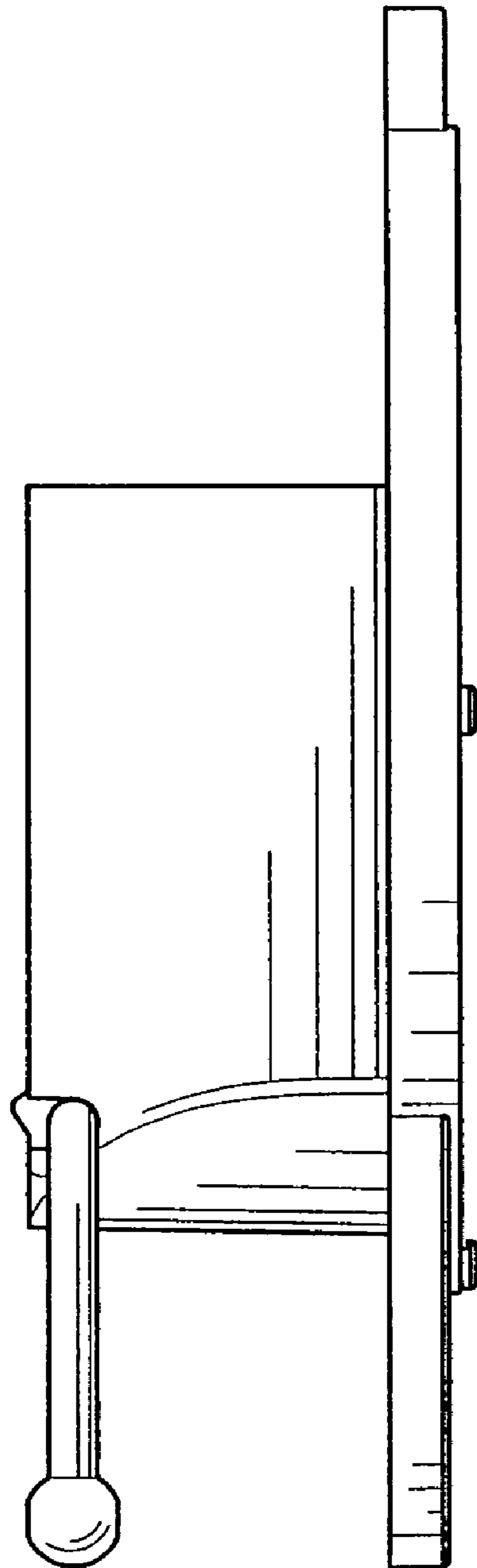


FIG.4

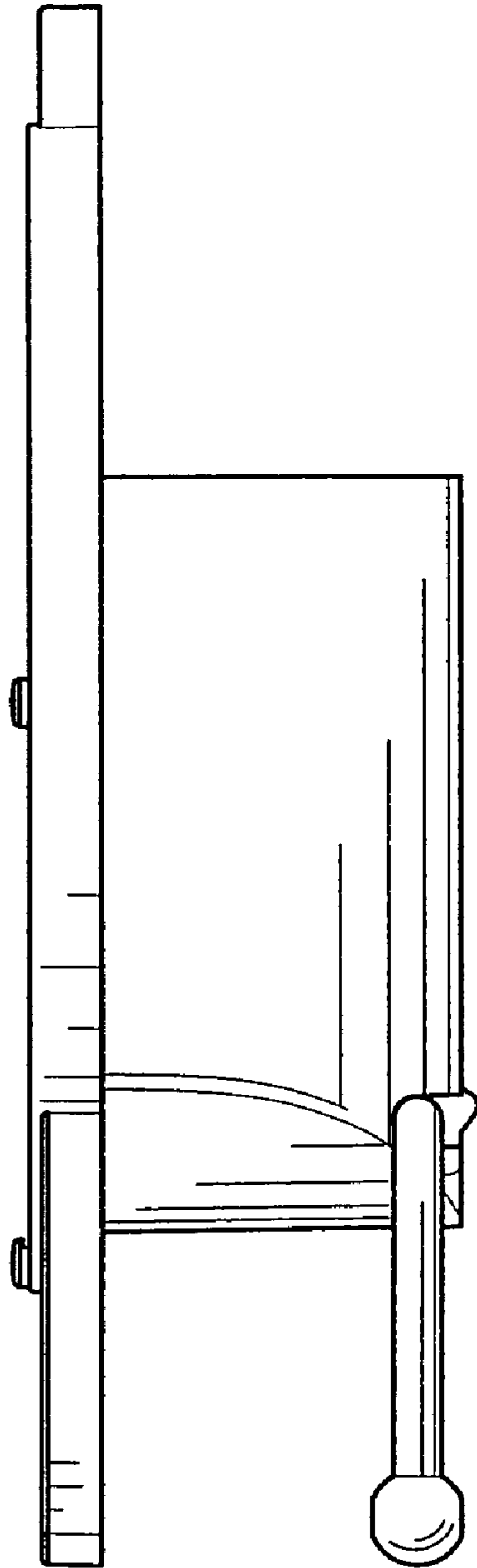


FIG.5

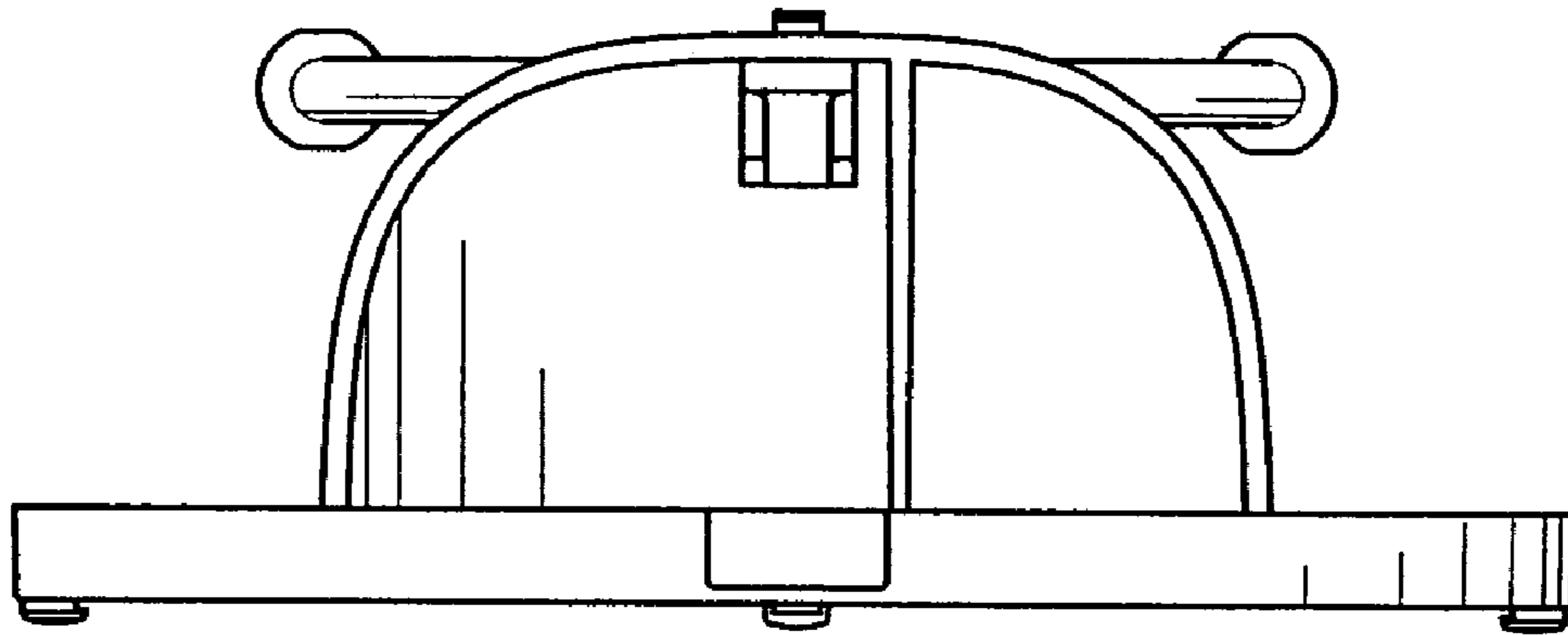


FIG.6

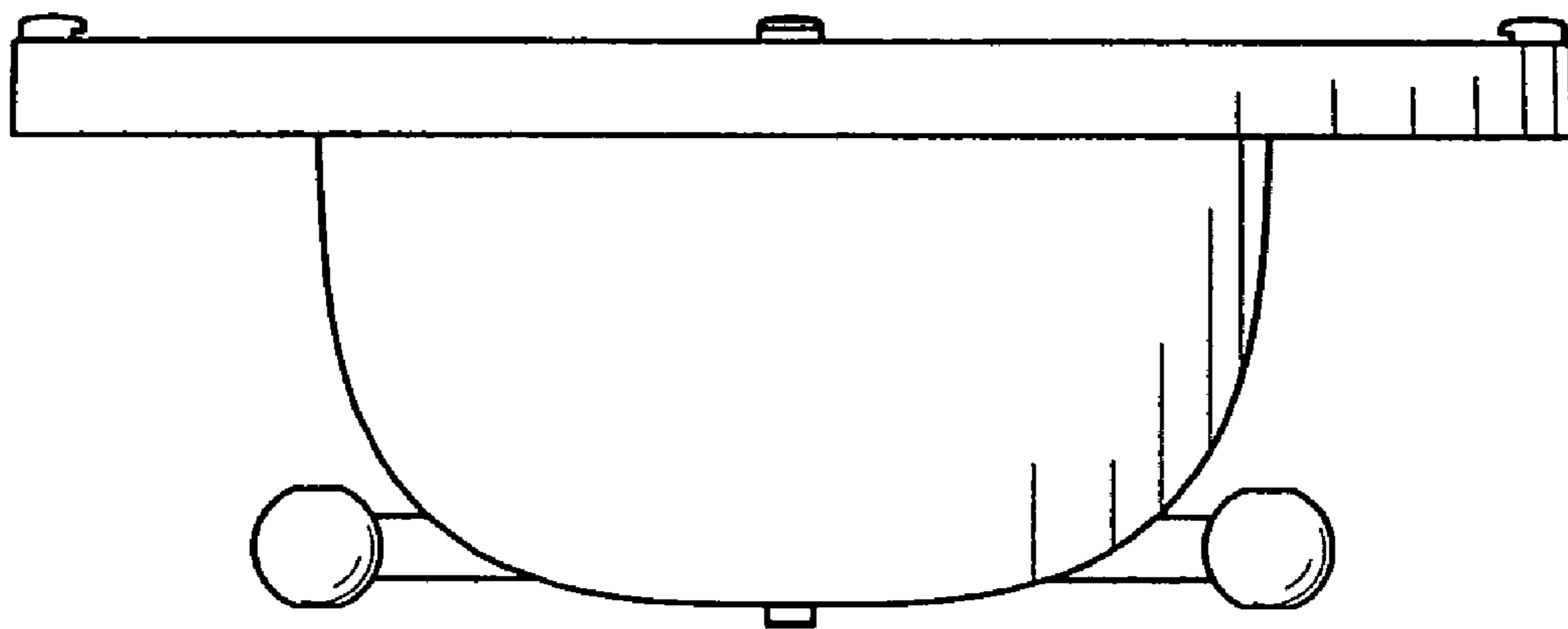


FIG.7

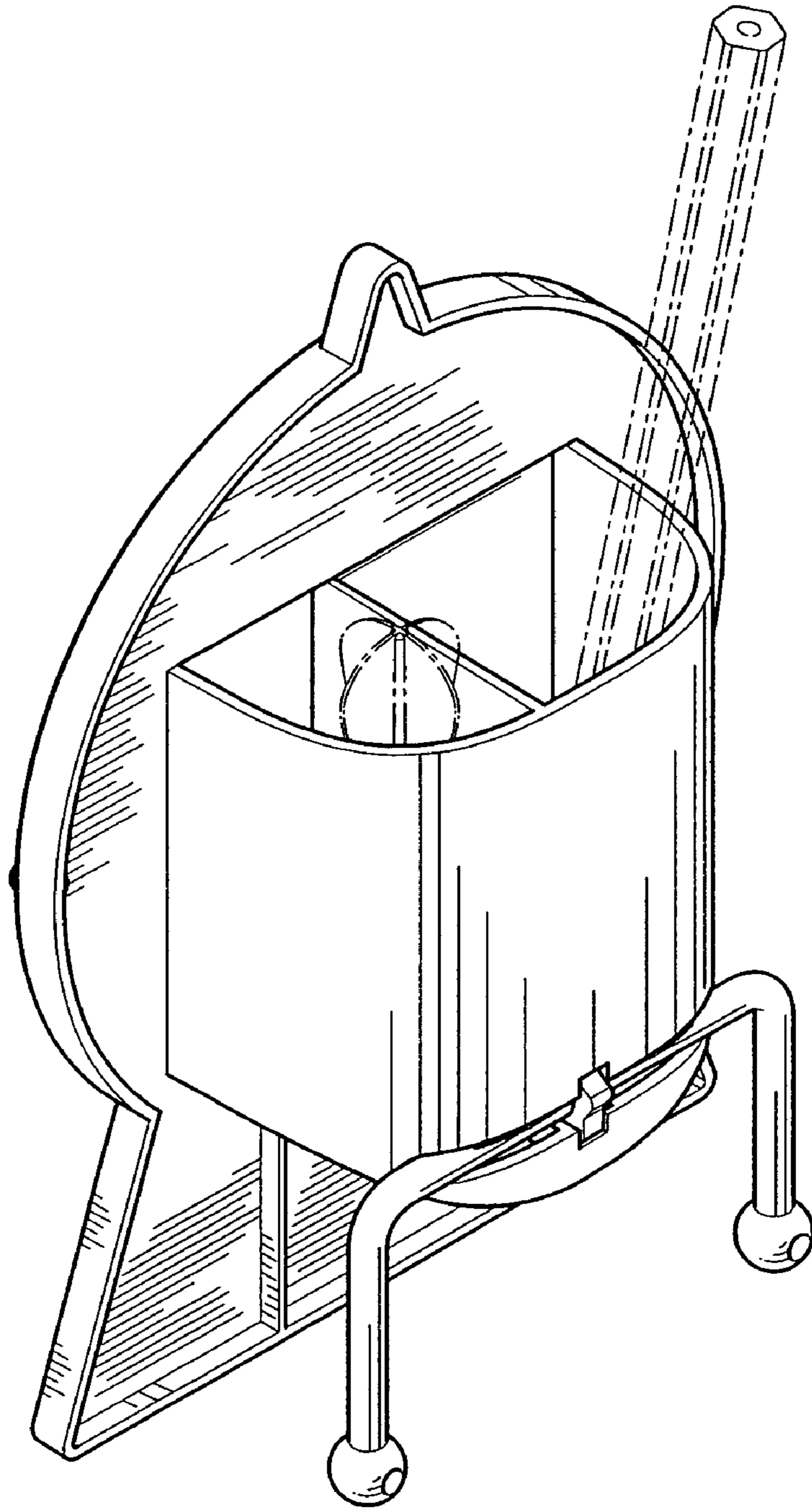


FIG.8

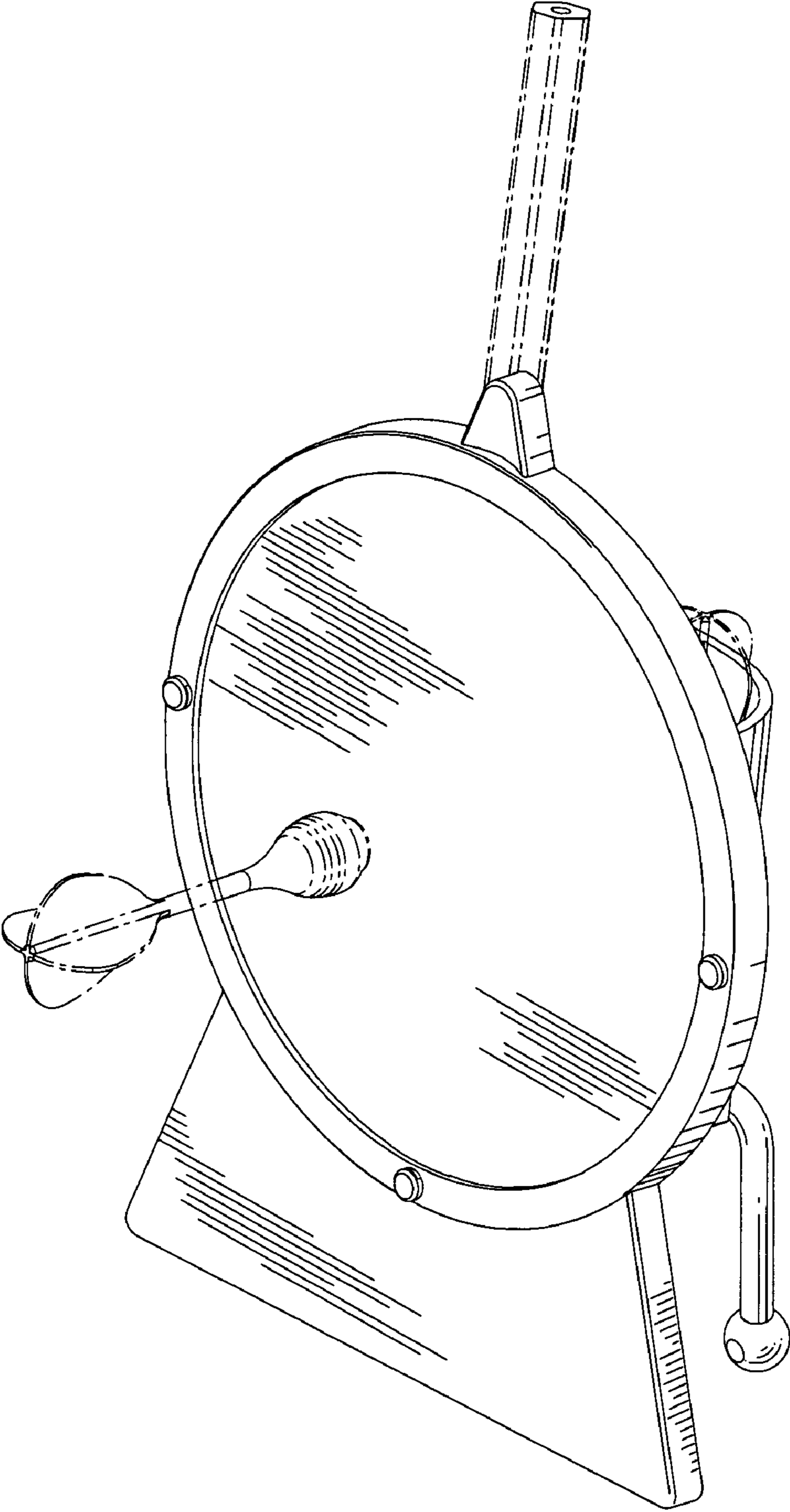


FIG.9

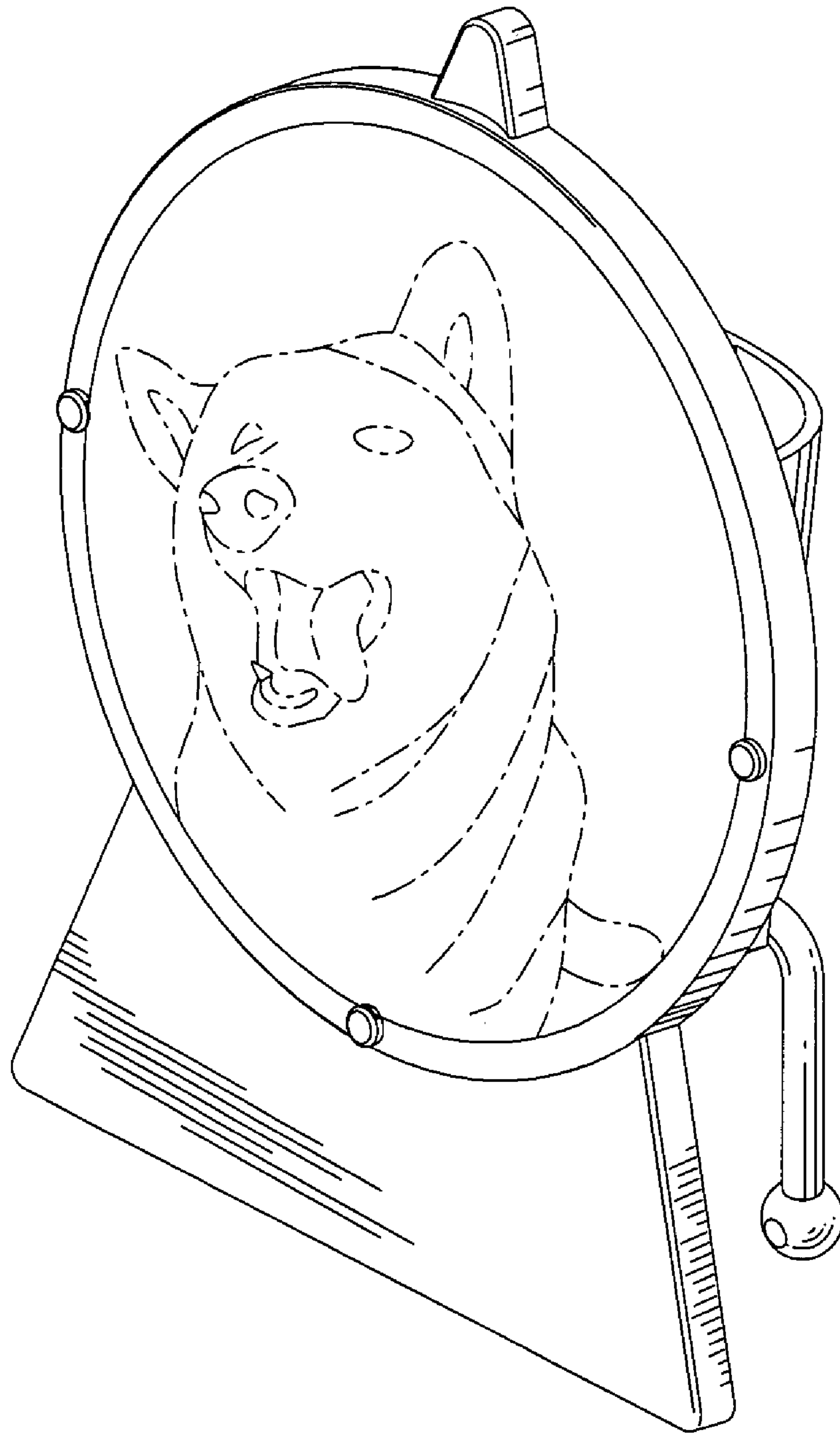


FIG.10