



US00D553186S

(12) **United States Design Patent**
Hoshiya et al.

(10) **Patent No.:** **US D553,186 S**

(45) **Date of Patent:** **** Oct. 16, 2007**

(54) **PRINTER**

(75) Inventors: **Kazuhiro Hoshiya**, Nagoya (JP); **Yuzo Fukunaga**, Nagoya (JP); **Mitsuharu Hattori**, Nagoya (JP); **Yasutake Yamaguchi**, Chiryu (JP)

(73) Assignee: **Brother Industries, Ltd.**, Nagoya (JP)

(**) Term: **14 Years**

(21) Appl. No.: **29/244,123**

(22) Filed: **Dec. 6, 2005**

(30) **Foreign Application Priority Data**

Jun. 30, 2005 (JP) 2005-019178

(51) **LOC (8) Cl.** **14-02**

(52) **U.S. Cl.** **D18/55; D14/421**

(58) **Field of Classification Search** D18/14,
D18/36-39, 46-49, 50, 54, 54.1, 55; D14/420-425,
D14/462-470; 399/107; 400/613, 613.1-613.4,
400/690.1-690.4, 691-694

See application file for complete search history.

(56) **References Cited**

U.S. PATENT DOCUMENTS

- D350,765 S * 9/1994 Hiroki et al. D18/36
- D408,843 S * 4/1999 Kusanagi D18/36
- D462,971 S * 9/2002 Leong et al. D14/463
- D479,556 S * 9/2003 Hattori et al. D14/464
- D480,732 S * 10/2003 Hattori et al. D14/469
- D481,754 S * 11/2003 Hattori et al. D18/50
- D493,469 S * 7/2004 Hattori et al. D14/468

- D501,667 S * 2/2005 Ishigami et al. D18/50
- D517,595 S * 3/2006 Miyauchi et al. D18/55
- D518,092 S * 3/2006 Hattori D18/55
- D521,061 S * 5/2006 Katayama et al. D18/55
- D526,350 S * 8/2006 Yamano et al. D18/55
- D527,414 S * 8/2006 Miyauchi et al. D18/50

* cited by examiner

Primary Examiner—Cathy Anne MacCormac

(74) *Attorney, Agent, or Firm*—Oliff & Berridge, PLC

(57) **CLAIM**

The ornamental design for a printer, as shown and described.

DESCRIPTION

FIG. 1 is a perspective view of a printer;

FIG. 2 is a front view thereof;

FIG. 3 is a top view thereof;

FIG. 4 is a right side view thereof;

FIG. 5 is a left side view thereof;

FIG. 6 is a rear view thereof;

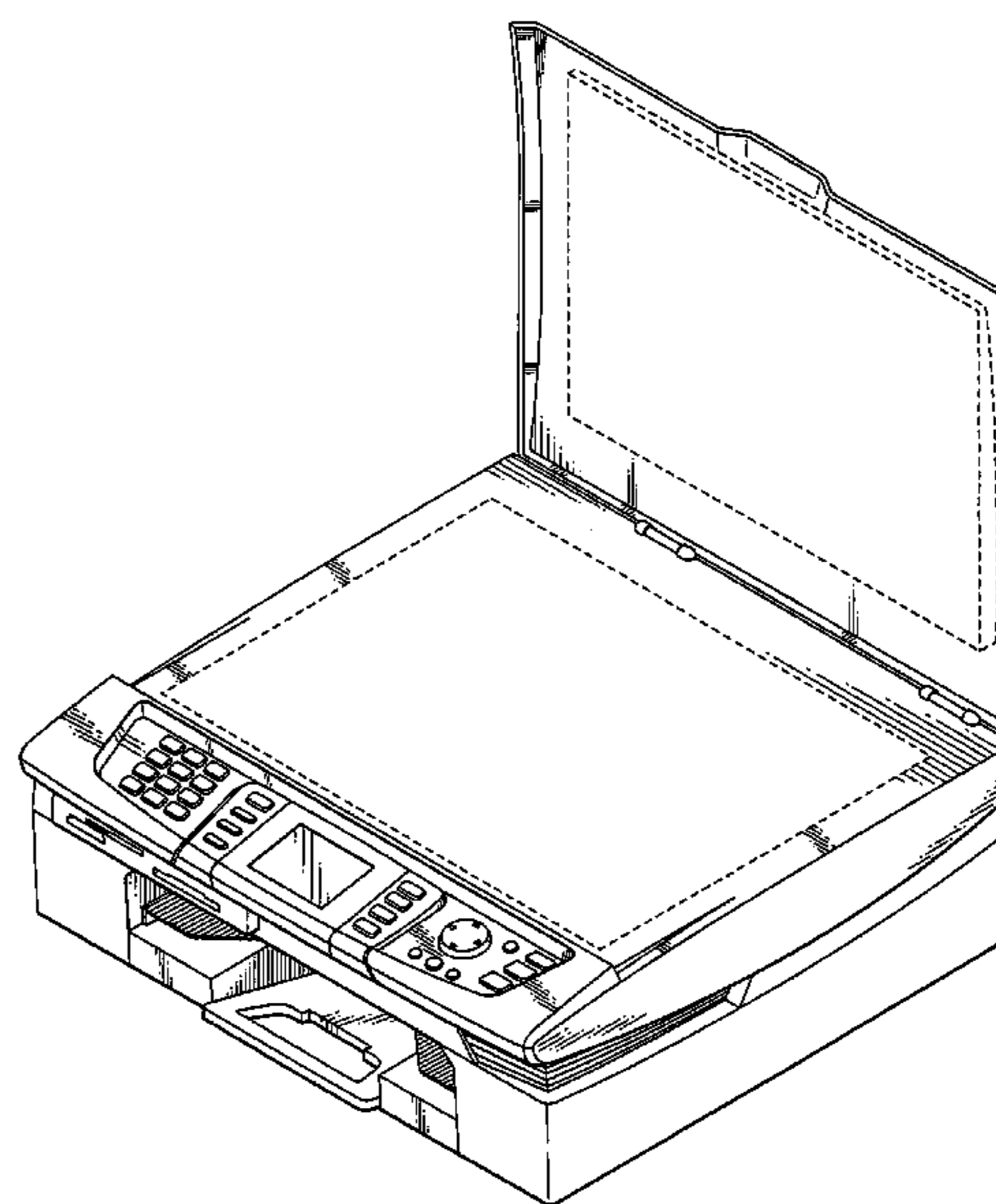
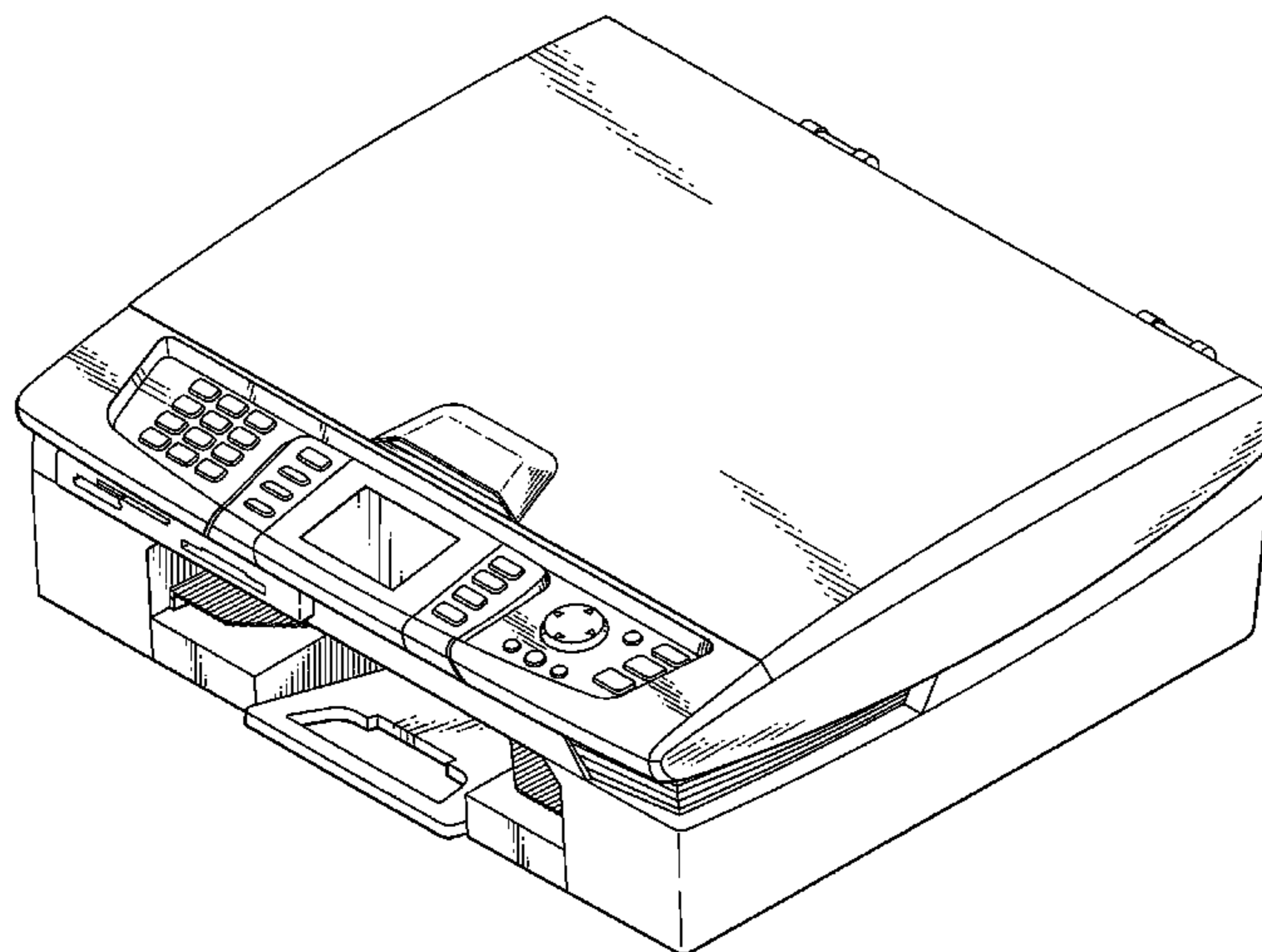
FIG. 7 is a bottom view thereof;

FIG. 8 is a reduced perspective view thereof with a scanner in an open position; and,

FIG. 9 is a front view thereof with a cover in an open position.

The broken lines illustrate a boundary line. The boundary lines and the area within the boundary lines form no part of the claimed design.

1 Claim, 7 Drawing Sheets



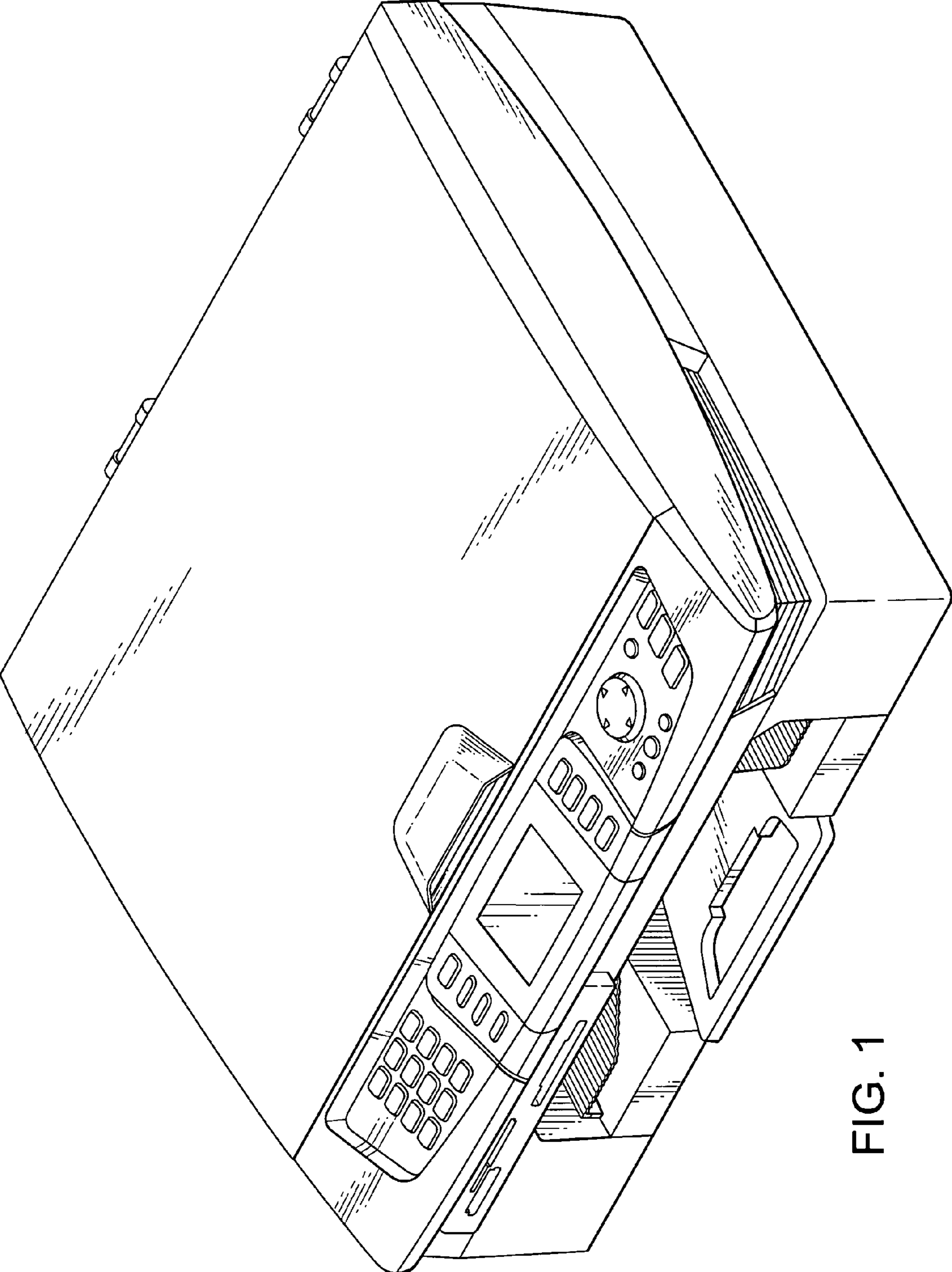


FIG. 1

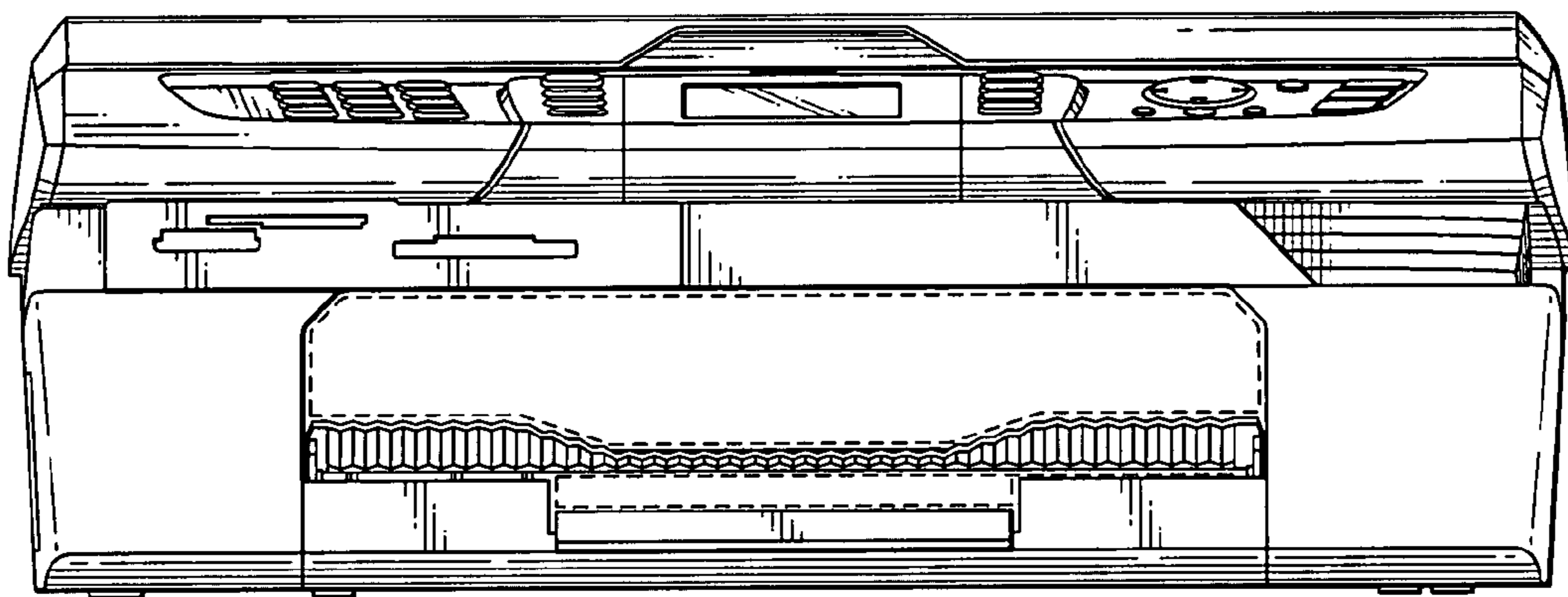


FIG. 2

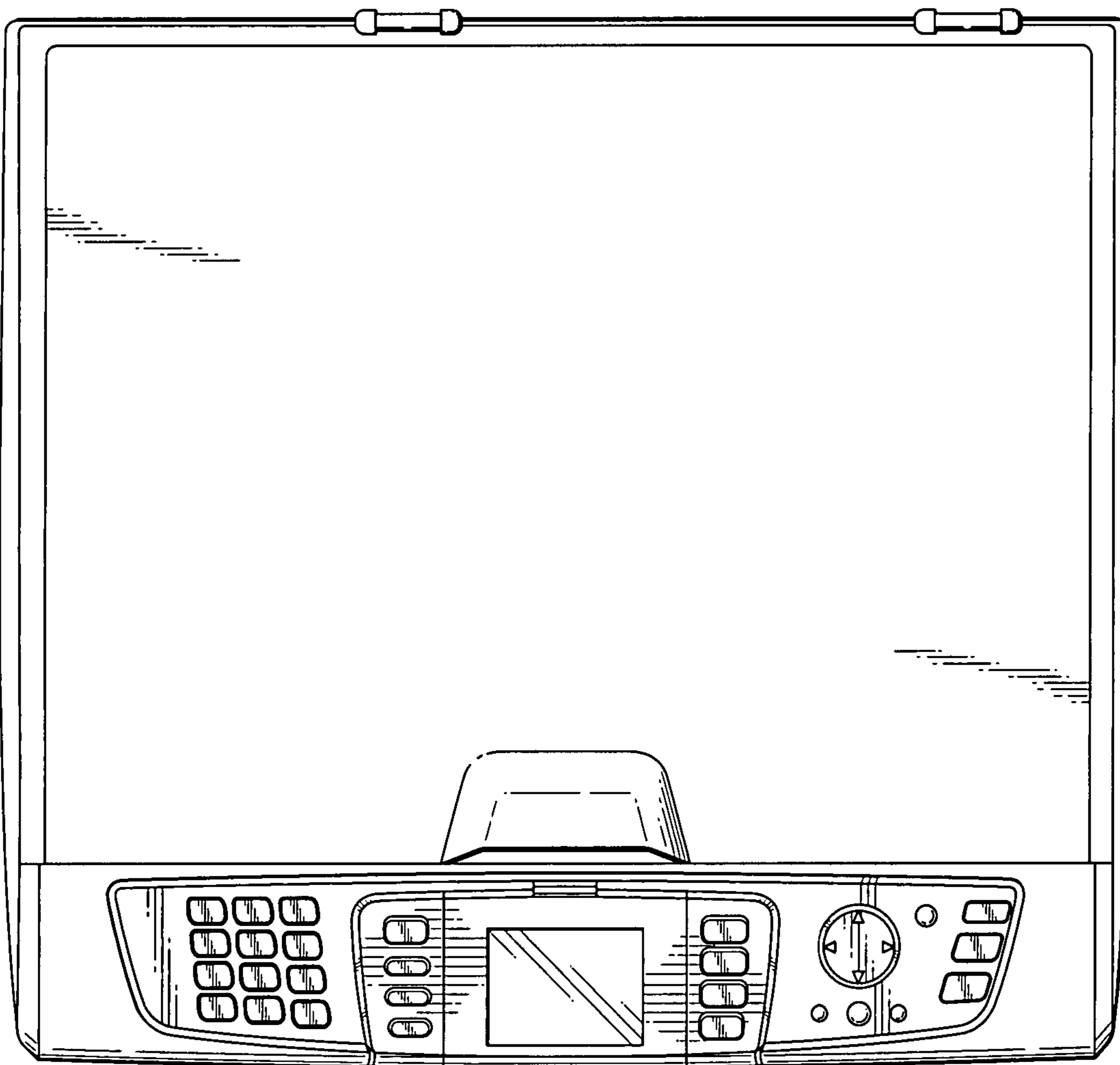


FIG. 3

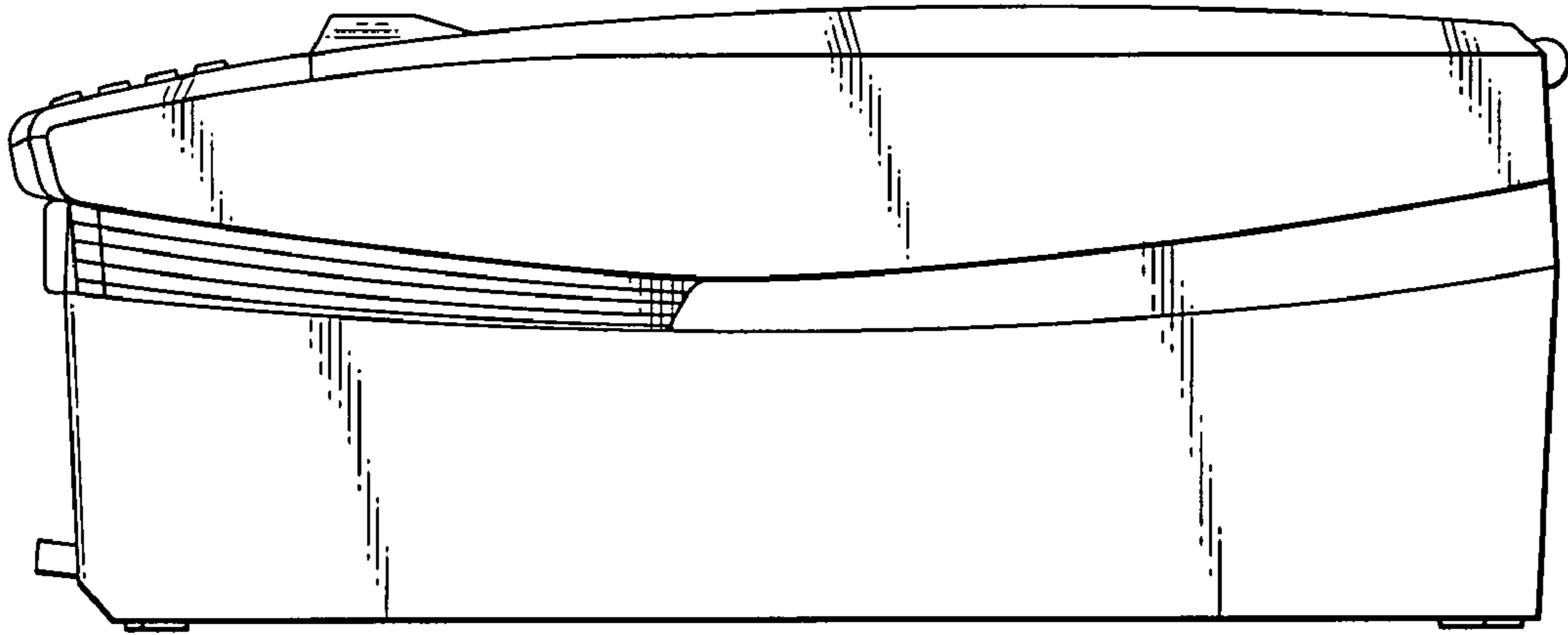


FIG. 4

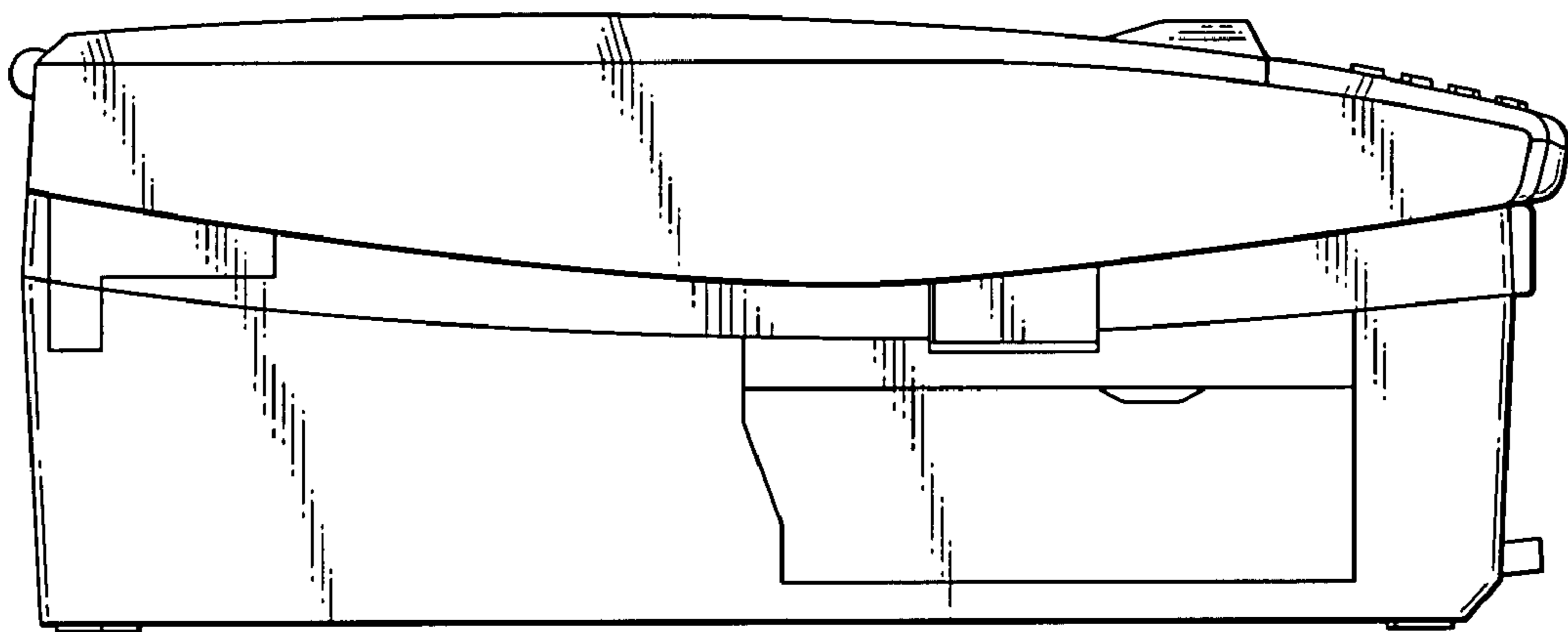


FIG. 5

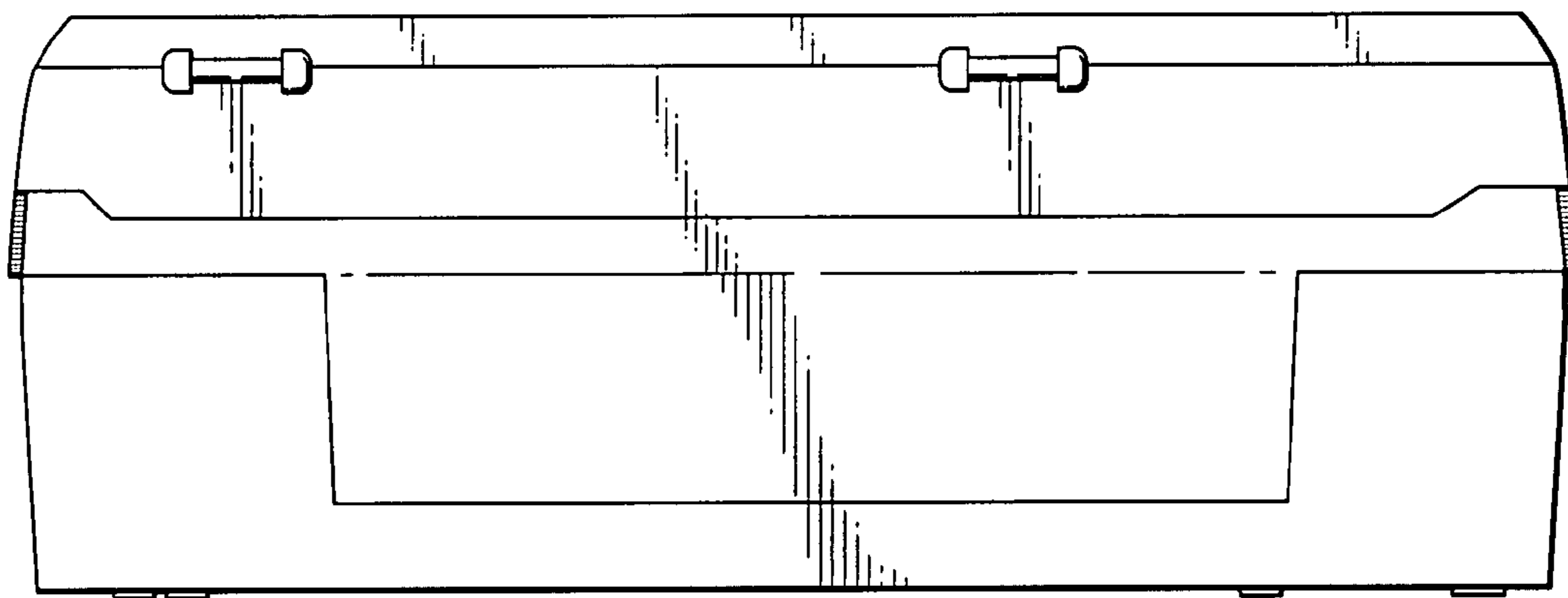


FIG. 6

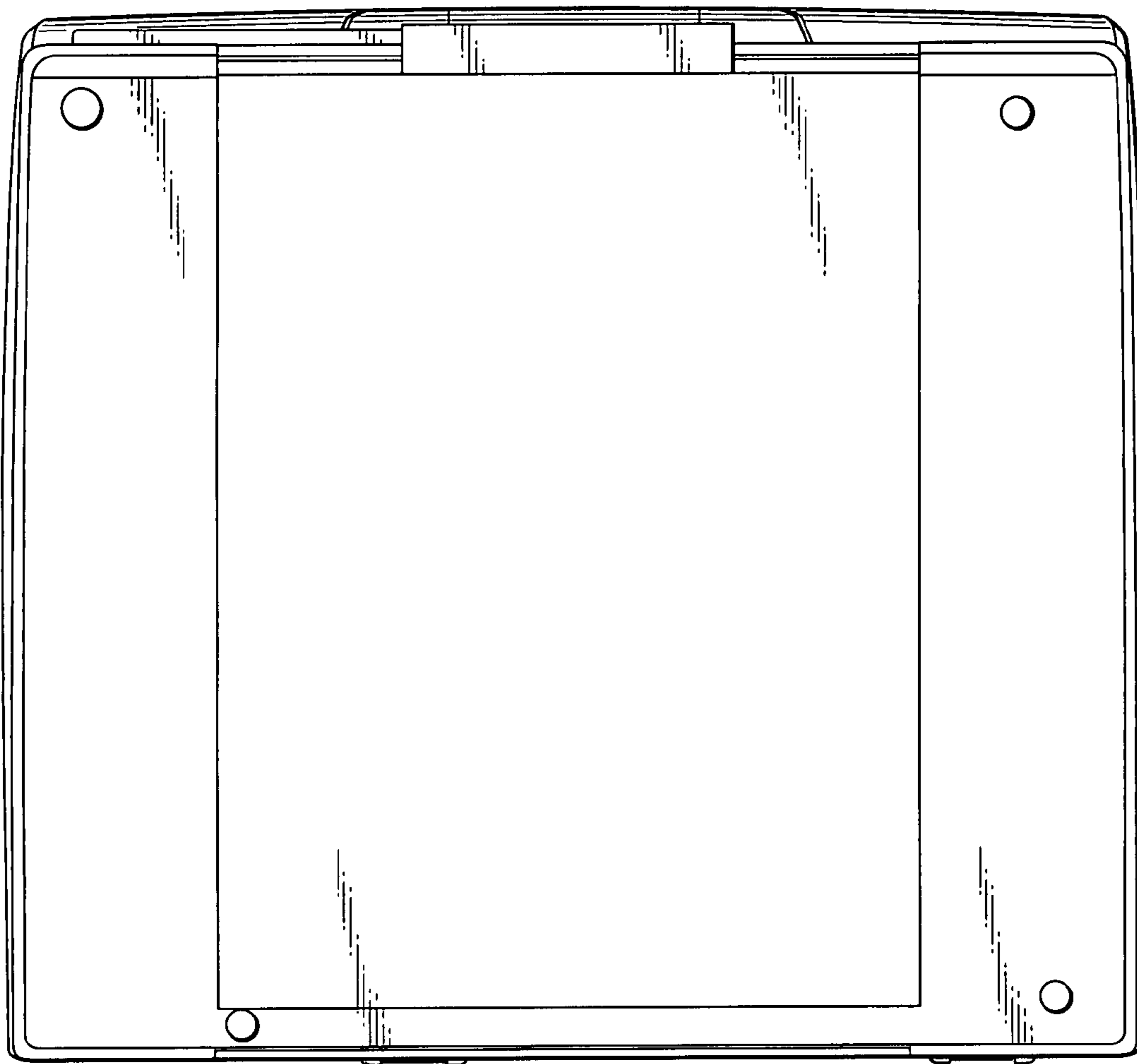


FIG. 7

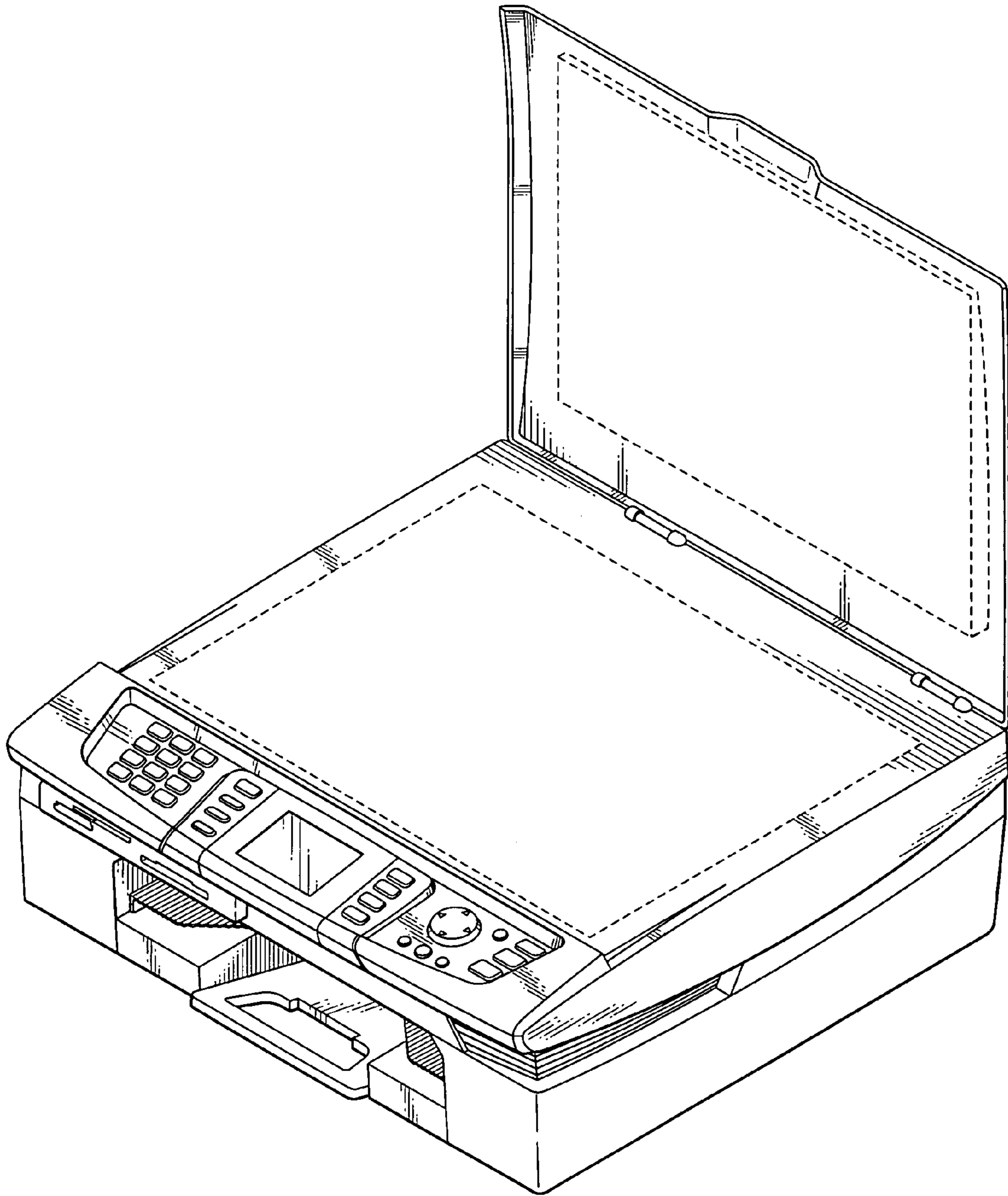


FIG. 8

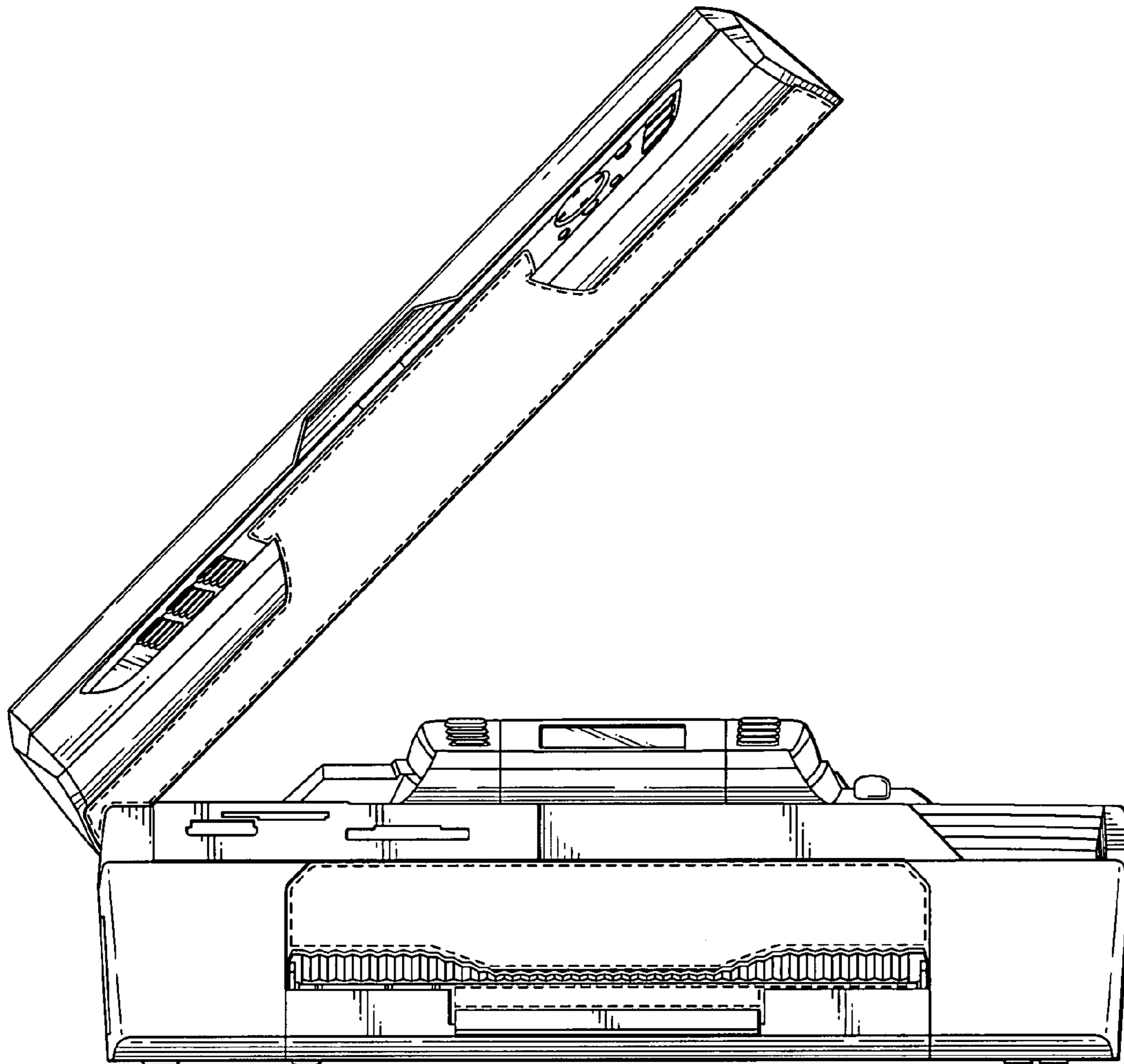


FIG. 9