



US00D553184S

(12) **United States Design Patent**
Lee et al.

(10) **Patent No.:** **US D553,184 S**
(45) **Date of Patent:** **** Oct. 16, 2007**

(54) **PHOTO PRINTER**

D533,585 S 12/2006 Park et al.
D535,324 S 1/2007 Park et al.

(75) Inventors: **Son-Young Lee**, Seoul (KR); **Jun-Won Bae**, Seoul (KR); **Hee-Yul Kim**, Seoul (KR); **Bong-Uk Lim**, Seoul (KR)

(73) Assignee: **Samsung Electronics Co., Ltd.**, Kyunggi-do (KR)

(**) Term: **14 Years**

(21) Appl. No.: **29/258,726**

(22) Filed: **Apr. 26, 2006**

(51) **LOC (8) Cl.** **18-02**

(52) **U.S. Cl.** **D18/50**

(58) **Field of Classification Search** D18/36-39,
D18/50-54, 54.1, 55; D14/420-425, 462-470;
D16/237, 246-248; 399/107; 400/613,
400/613.1-613.4, 690.1-690.4, 691-694
See application file for complete search history.

(56) **References Cited**

U.S. PATENT DOCUMENTS

D287,497 S * 12/1986 Goodner et al. D18/55
D301,152 S * 5/1989 Kato et al. D18/54
D305,550 S * 1/1990 Yomo D18/54
D322,804 S * 12/1991 Sugimoto D18/54
D340,945 S * 11/1993 Sugimoto D18/55
D466,551 S * 12/2002 Nagai D18/50
D532,448 S 11/2006 Lim et al.

OTHER PUBLICATIONS

U.S. Appl. No. 29/256,398, Applicant: Hee-Yul Kim, et al., filed Mar. 20, 2006 entitled Photo Printer, pending.
U.S. Appl. No. 29/256,403, Applicant: Son-Young Lee, et al., filed Mar. 20, 2006 entitled Photo Printer, pending.

* cited by examiner

Primary Examiner—Cathy Anne MacCormac

(74) *Attorney, Agent, or Firm*—Flynn, Thiel, Boutell & Tanis, P.C.

(57) **CLAIM**

The ornamental design for a photo printer, as shown and described.

DESCRIPTION

FIG. 1 is a top front perspective view of a photo printer showing our new design;

FIG. 2 is a front elevational view thereof;

FIG. 3 is a rear elevational view thereof;

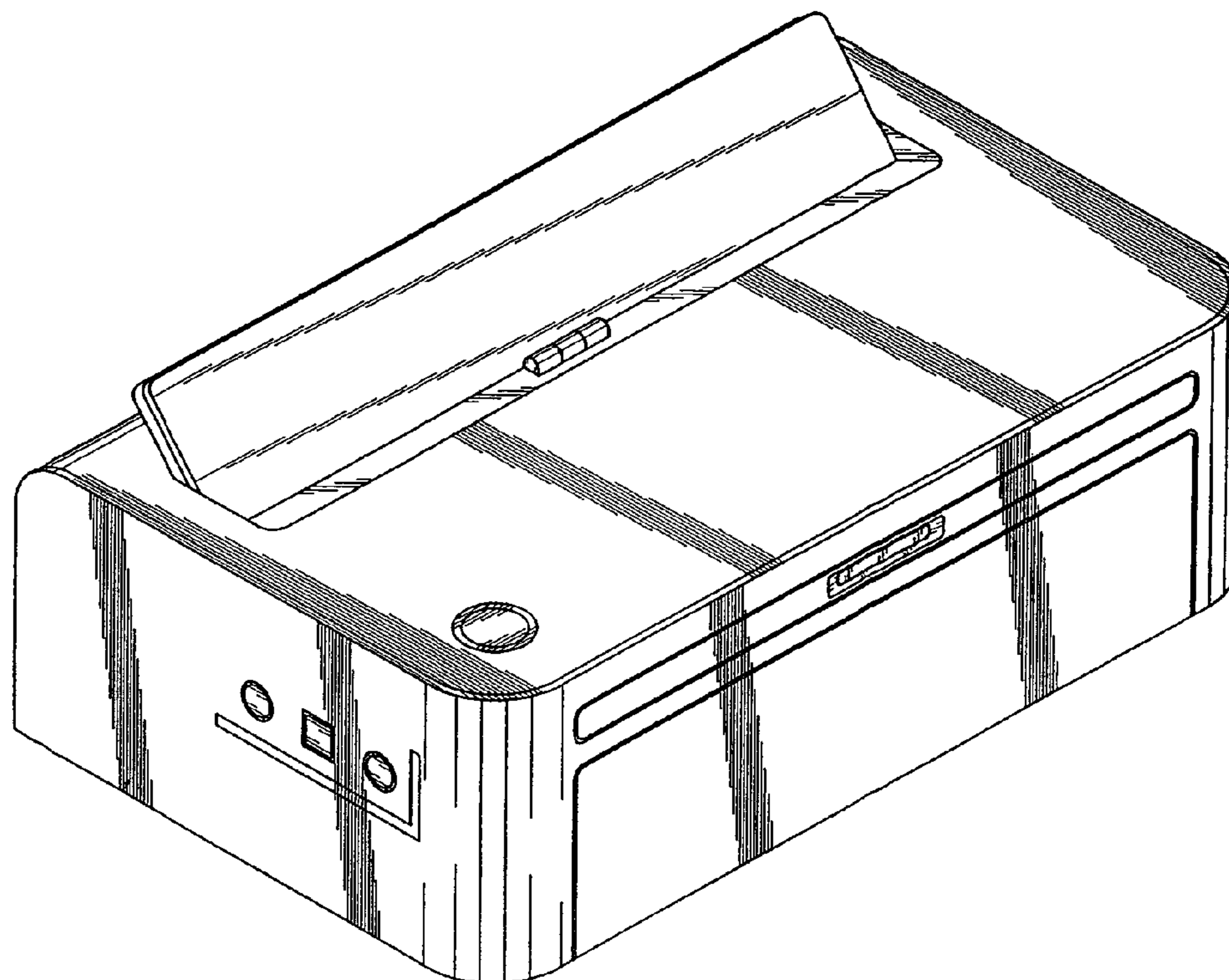
FIG. 4 is a left side elevational view thereof;

FIG. 5 is a right side elevational view thereof;

FIG. 6 is a top plan view thereof; and,

FIG. 7 is a bottom plan view thereof.

1 Claim, 4 Drawing Sheets



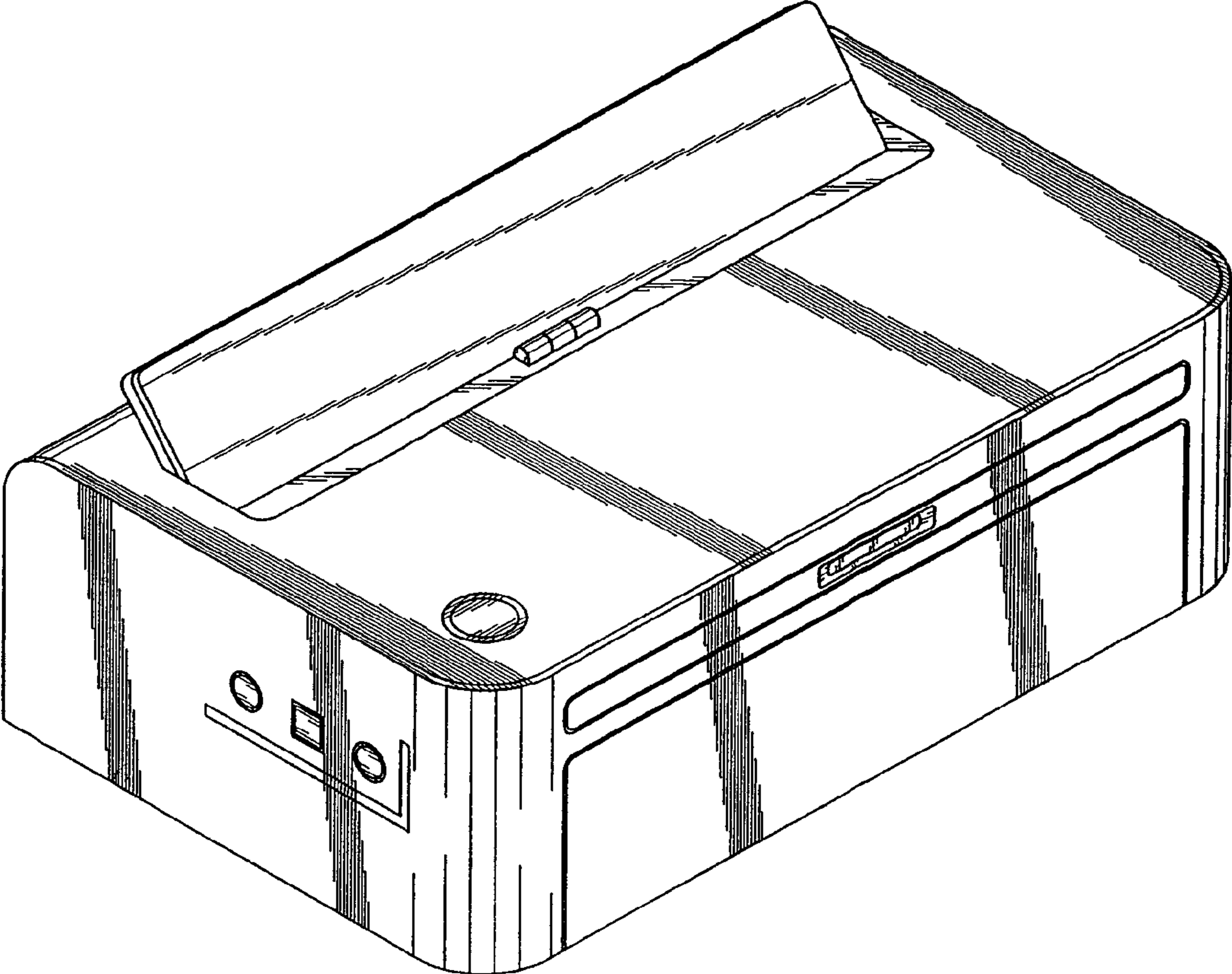


FIG. 1

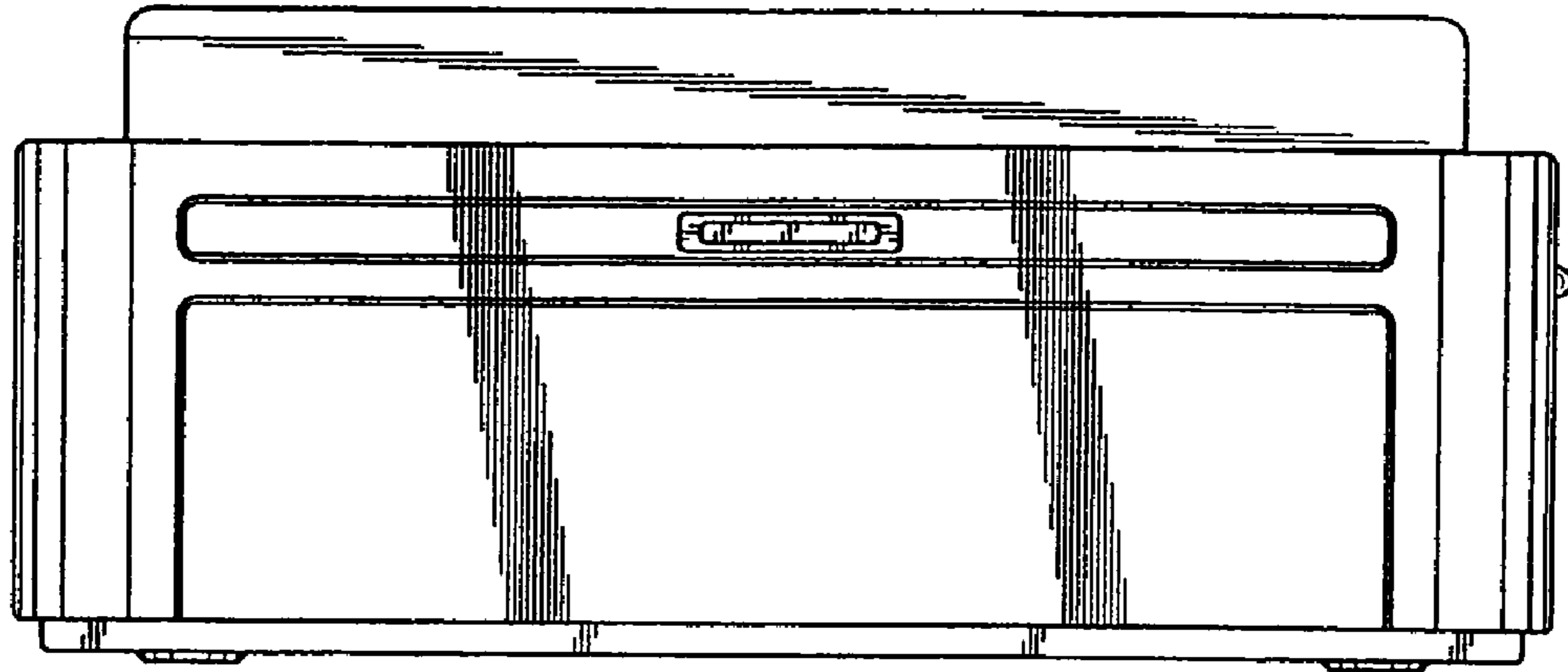


FIG. 2

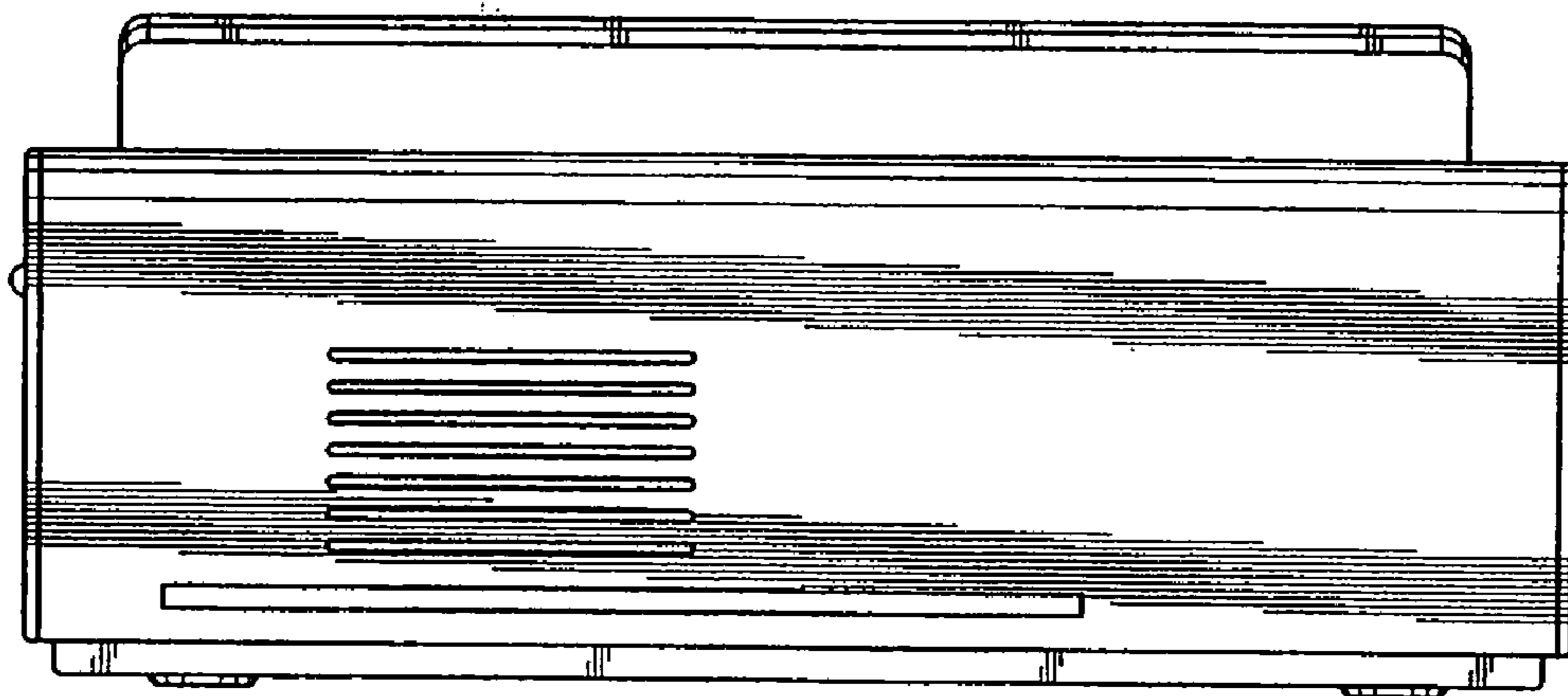


FIG. 3

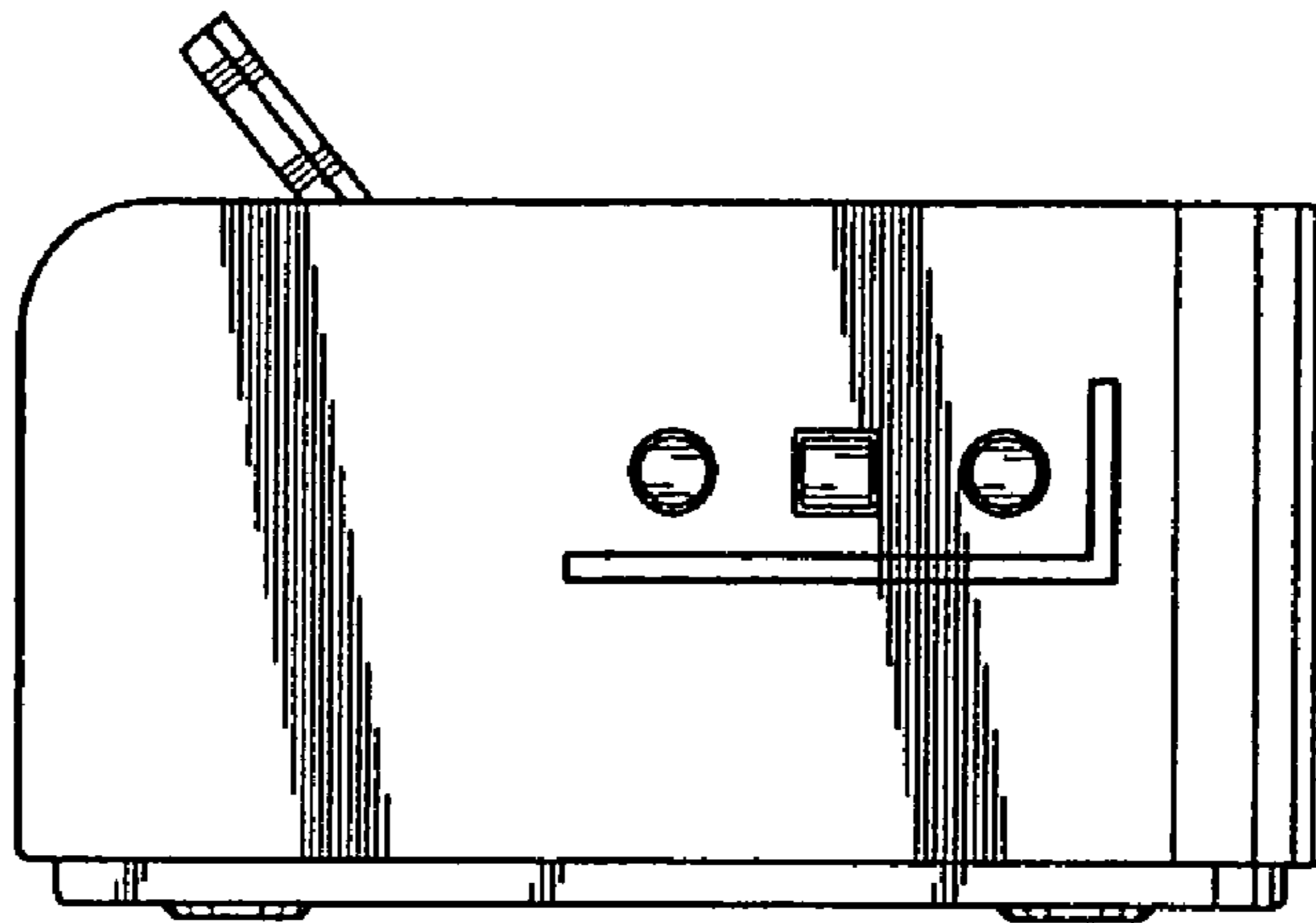


FIG. 4

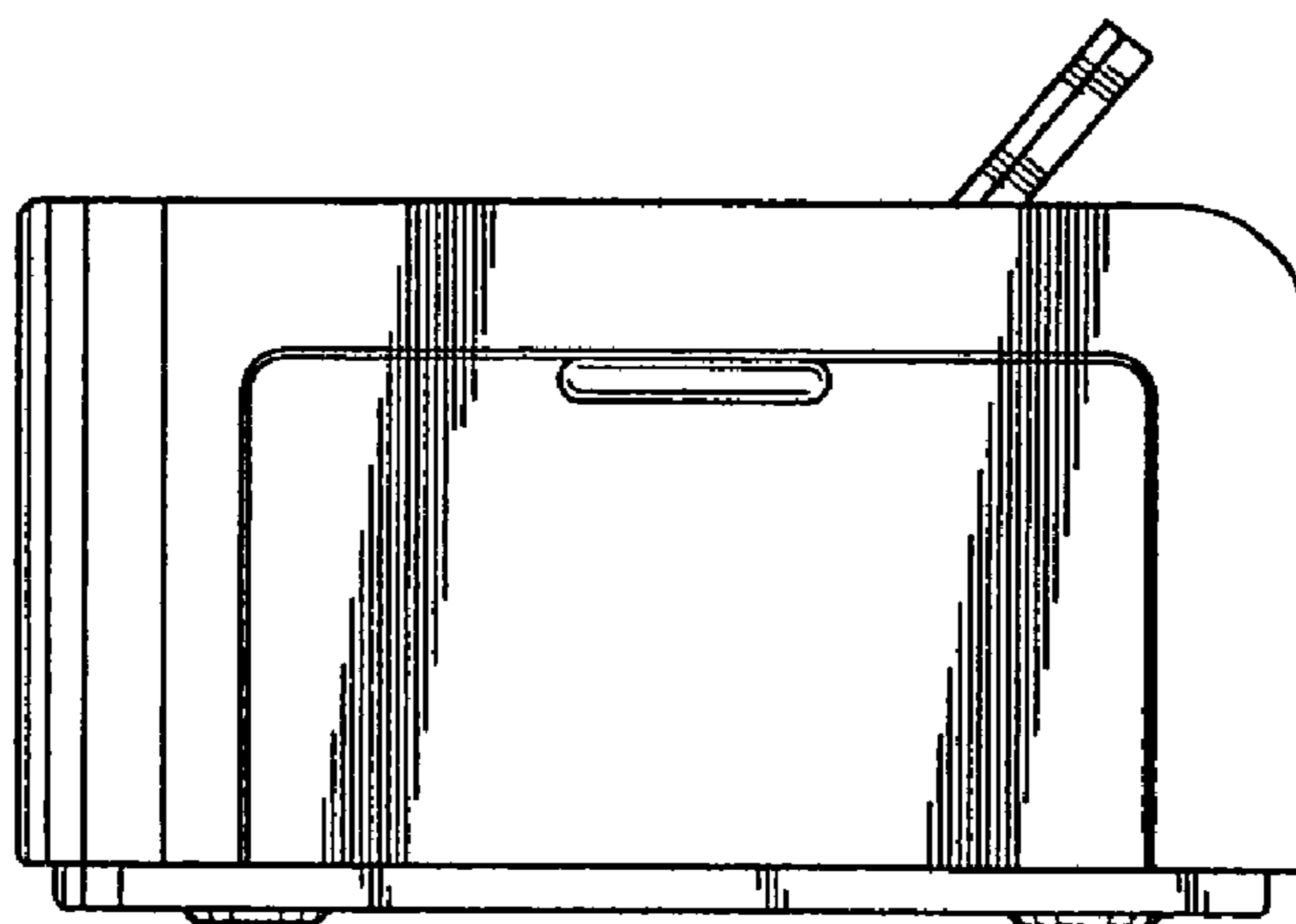


FIG. 5

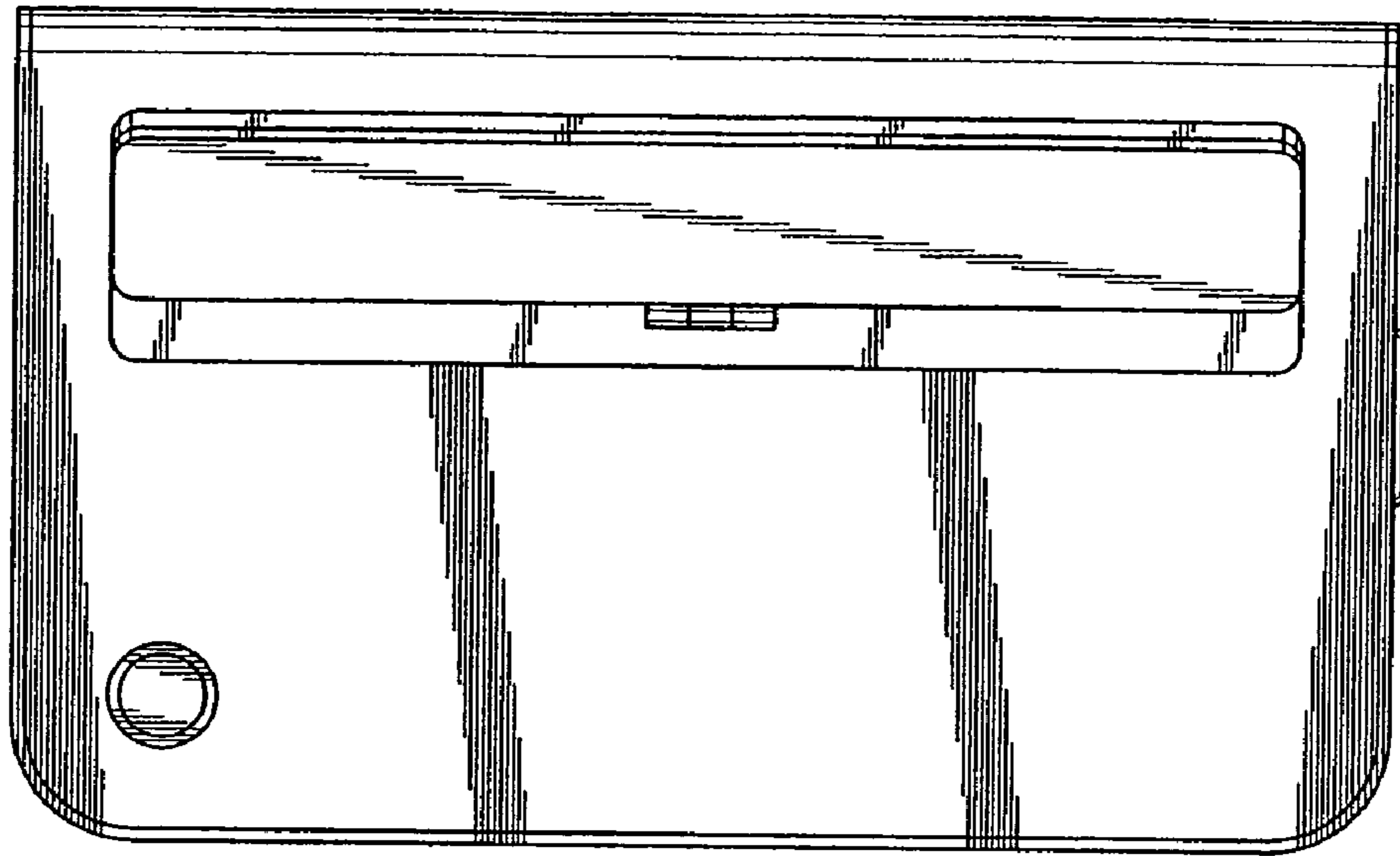


FIG. 6

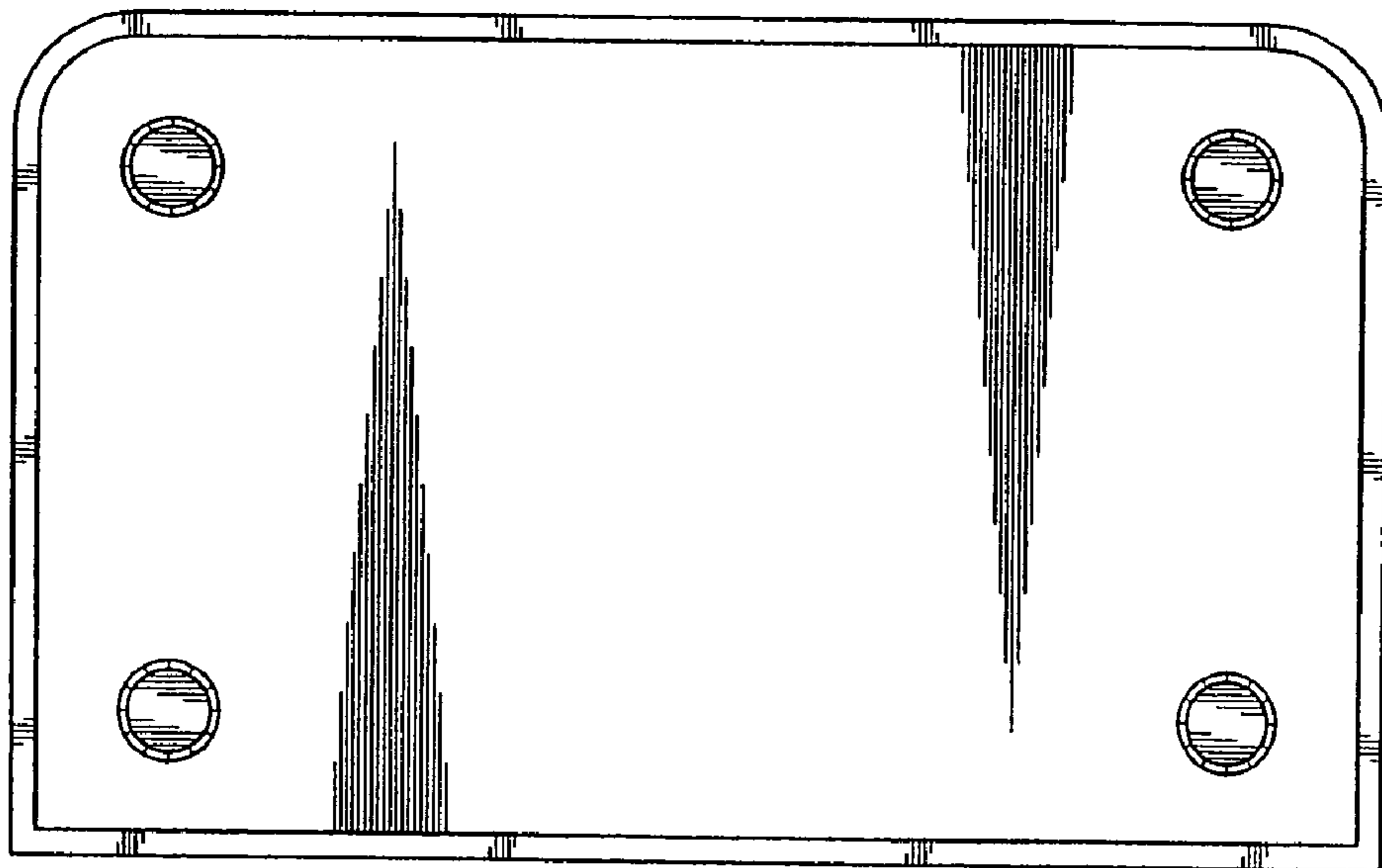


FIG. 7