



US00D553183S

(12) **United States Design Patent**
Hashimoto et al.

(10) **Patent No.:** **US D553,183 S**

(45) **Date of Patent:** **** Oct. 16, 2007**

(54) **DEVELOPING DEVICE WITH A TONER CONTAINER**

(75) Inventors: **Takeshi Hashimoto**, Okazaki (JP);
Hideki Mekada, Shinshiro (JP);
Tatsuya Tsujimura, Toyohashi (JP)

(73) Assignee: **Konica Minolta Business Technologies, Inc.**, Chiyoda-Ku, Toyota (JP)

(**) Term: **14 Years**

(21) Appl. No.: **29/211,301**

(22) Filed: **Aug. 13, 2004**

(30) **Foreign Application Priority Data**

Feb. 13, 2004 (JP) 2004-003741
Feb. 13, 2004 (JP) 2004-003743

(51) **LOC (8) Cl.** **16-03**

(52) **U.S. Cl.** **D18/43**

(58) **Field of Classification Search** D18/12,
D18/36, 40, 43, 44, 56; D14/462, 469-471;
222/DIG. 1; 347/197, 222; 399/24-28,
399/107-112, 119, 121, 122, 222-224; 400/207;
D8/300, 303, 306, 312, 321, 322
See application file for complete search history.

(56) **References Cited**

U.S. PATENT DOCUMENTS

4,963,928 A * 10/1990 Yoshiura 399/111
D356,107 S * 3/1995 Watanabe et al. D18/43

(Continued)

OTHER PUBLICATIONS

U.S. Appl. No. 11/277,178, co-assigned to Konica Minolta Business Inc. filed Mar. 22, 2006.*

Listing from <http://www.officedepot.com> of toner cartridges for Konica Minolta 5440DL Printer (printed Jan. 22, 2007) <http://www.officedepot.com/inkTonerRefine.do?Ne=570&Nr=100000&N=100000+1100010346>.*

Primary Examiner—Robert M. Spear

Assistant Examiner—Garth Rademaker

(74) *Attorney, Agent, or Firm*—Buchanan Ingersoll & Rooney PC

(57) **CLAIM**

The ornamental design for a developing device with a toner container, as shown and described.

DESCRIPTION

FIG. 1 is a front elevational view of the first embodiment of a developing device with a toner container showing our new design.

FIG. 2 is a rear elevational view thereof.

FIG. 3 is a top plan view thereof.

FIG. 4 is a bottom plan view thereof.

FIG. 5 is a right side elevational view thereof.

FIG. 6 is a left side elevational view thereof.

FIG. 7 is a top, front and right side perspective view thereof.

FIG. 8 is a bottom, rear and left side perspective view thereof.

FIG. 9 is a front elevational view of the second embodiment of a developing device with a toner container showing our new design.

FIG. 10 is a rear elevational view thereof.

FIG. 11 is a top plan view thereof

FIG. 12 is a bottom plan view thereof.

FIG. 13 is a right side elevational view thereof.

FIG. 14 is a left side elevational view thereof.

FIG. 15 is a top, front and right side perspective view thereof; and,

FIG. 16 is a bottom, rear and left side perspective view thereof.

1 Claim, 16 Drawing Sheets

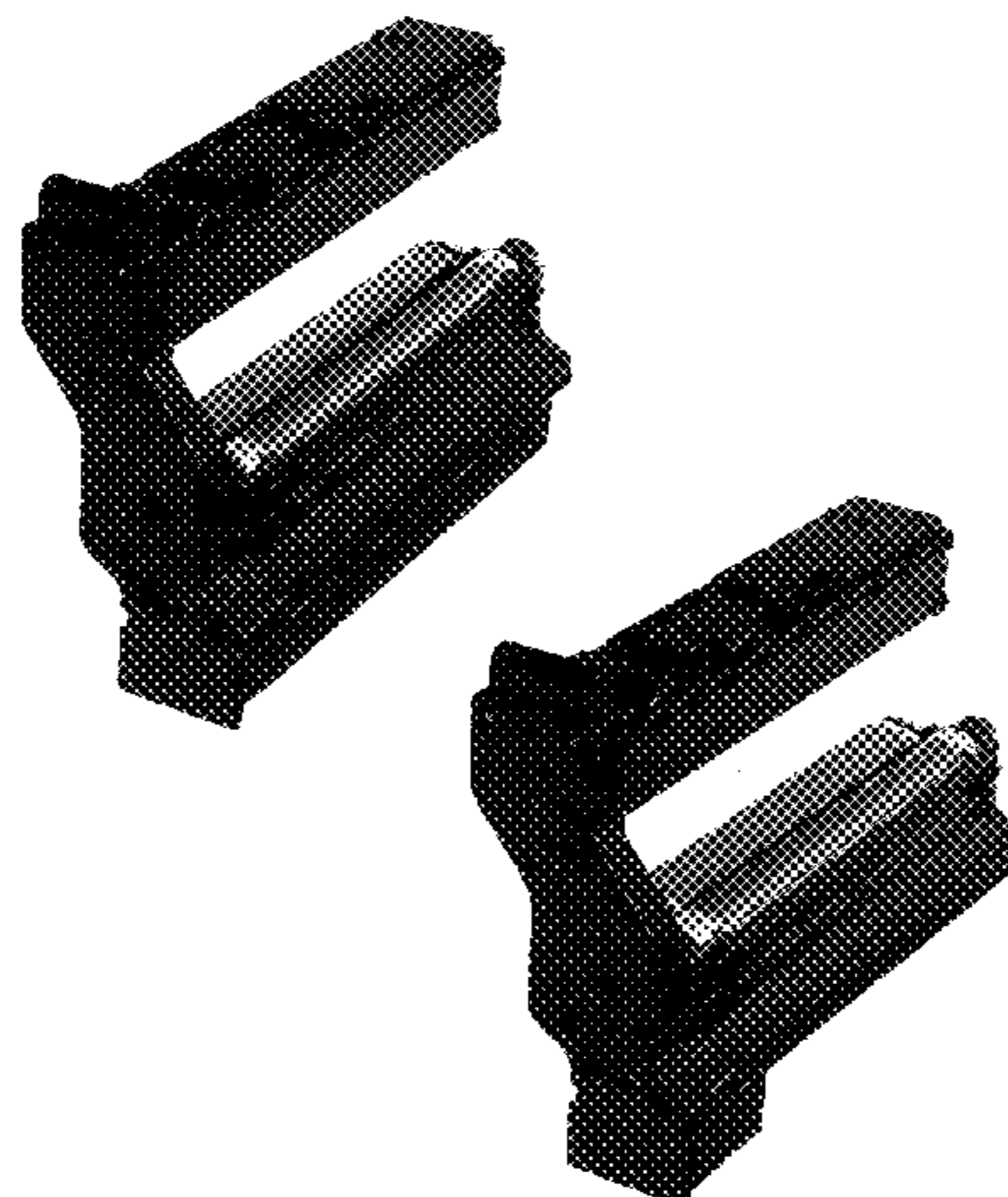


Fig. 1



Fig. 2

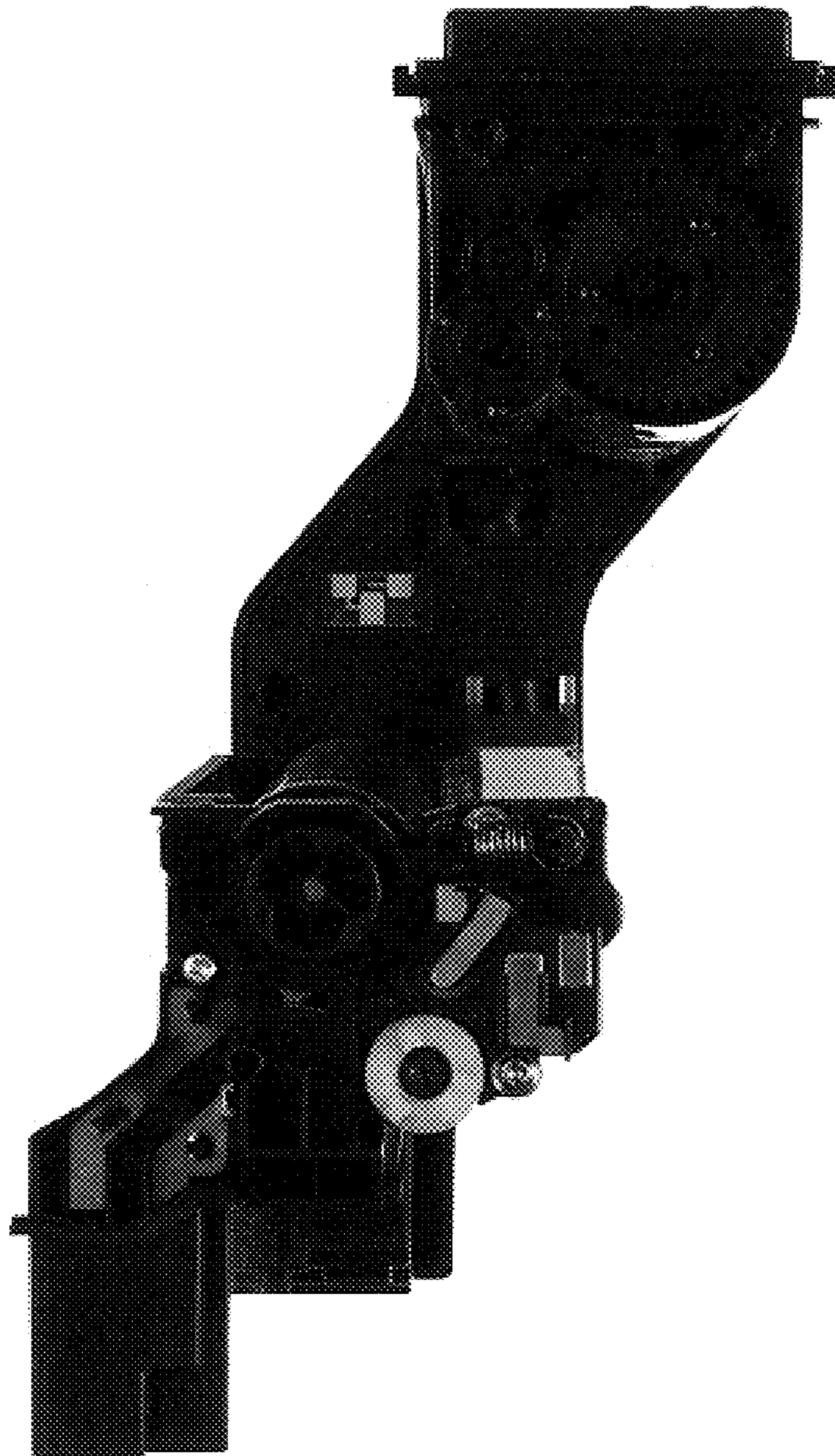


Fig. 3

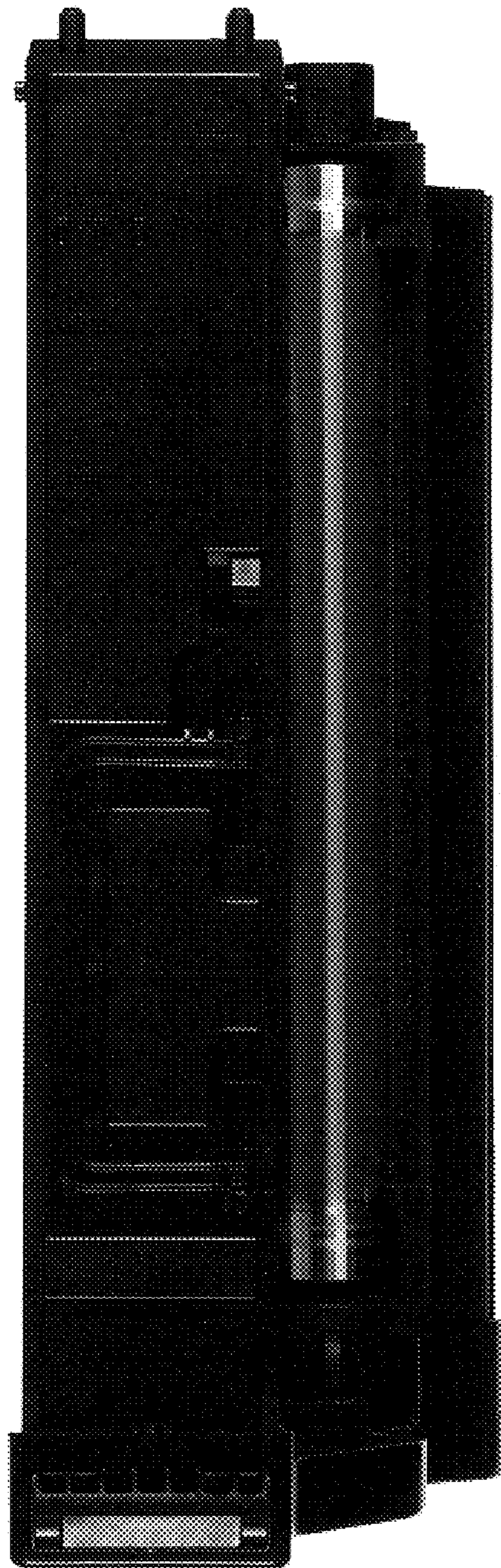


Fig. 4

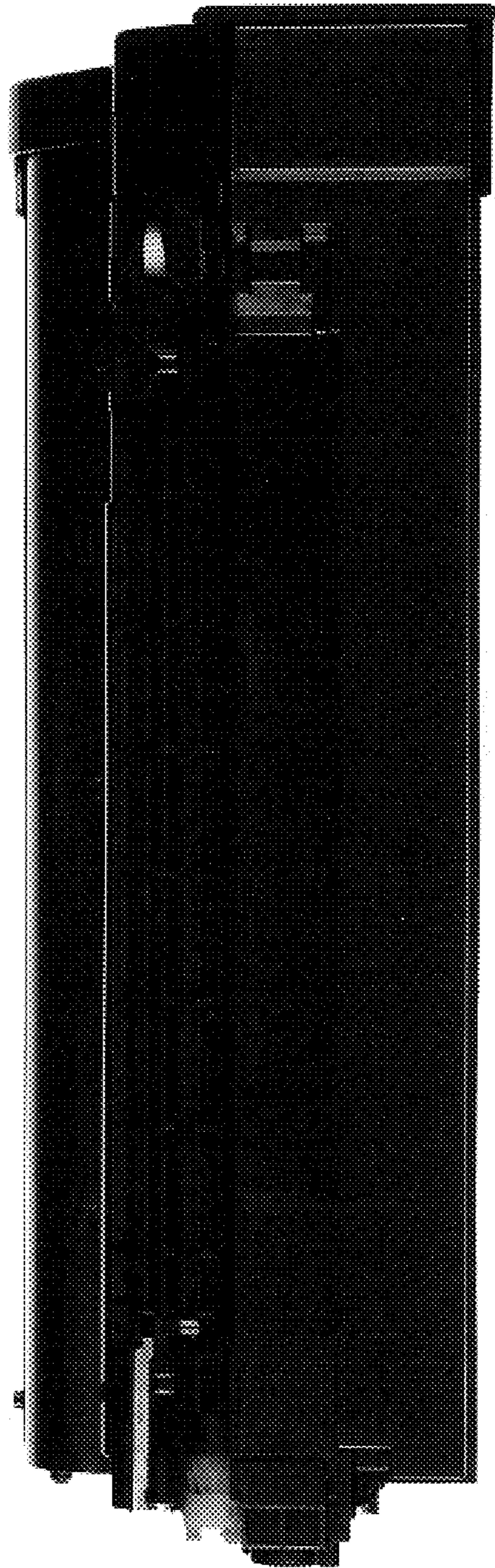


Fig. 5

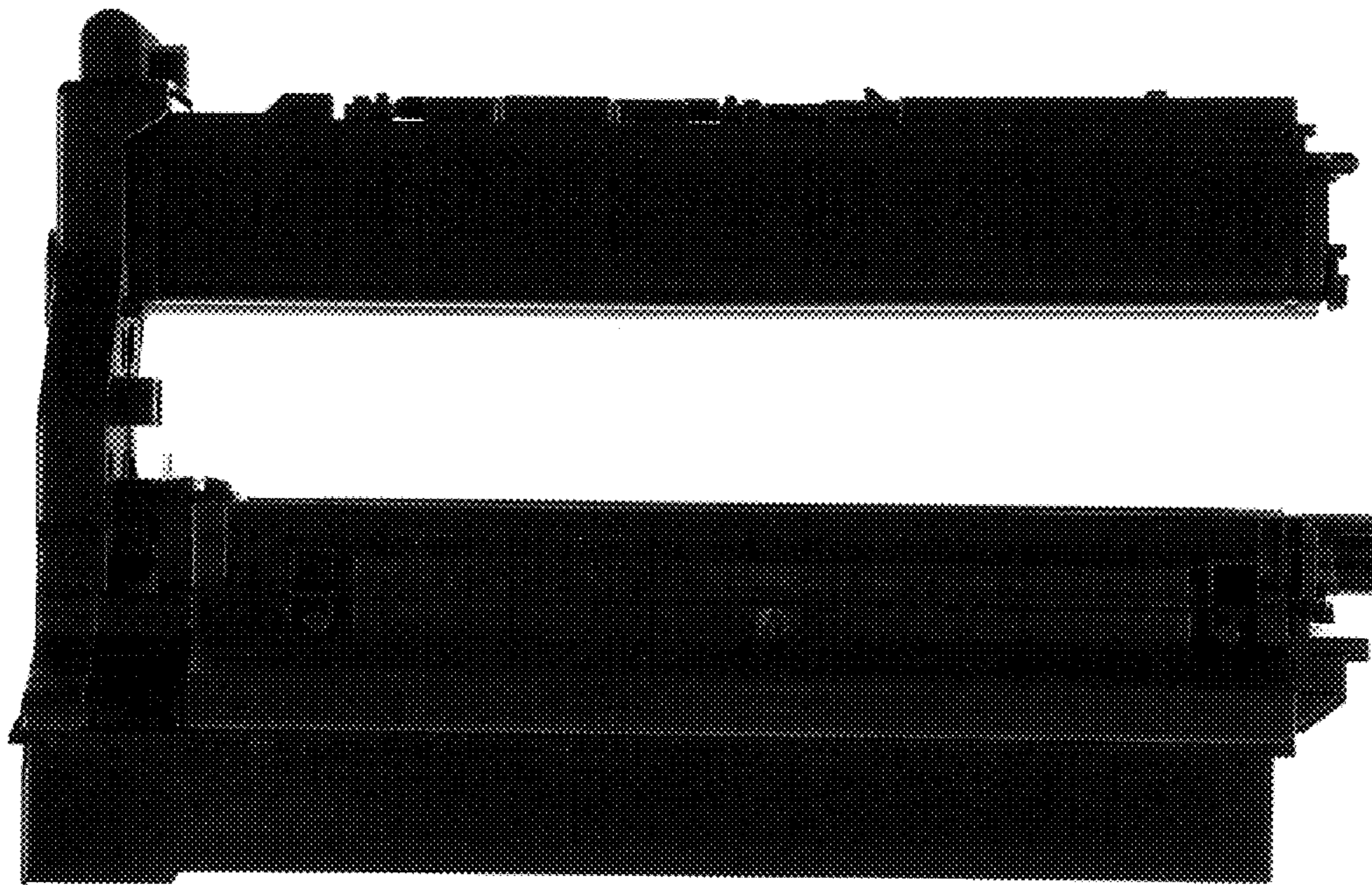


Fig. 6

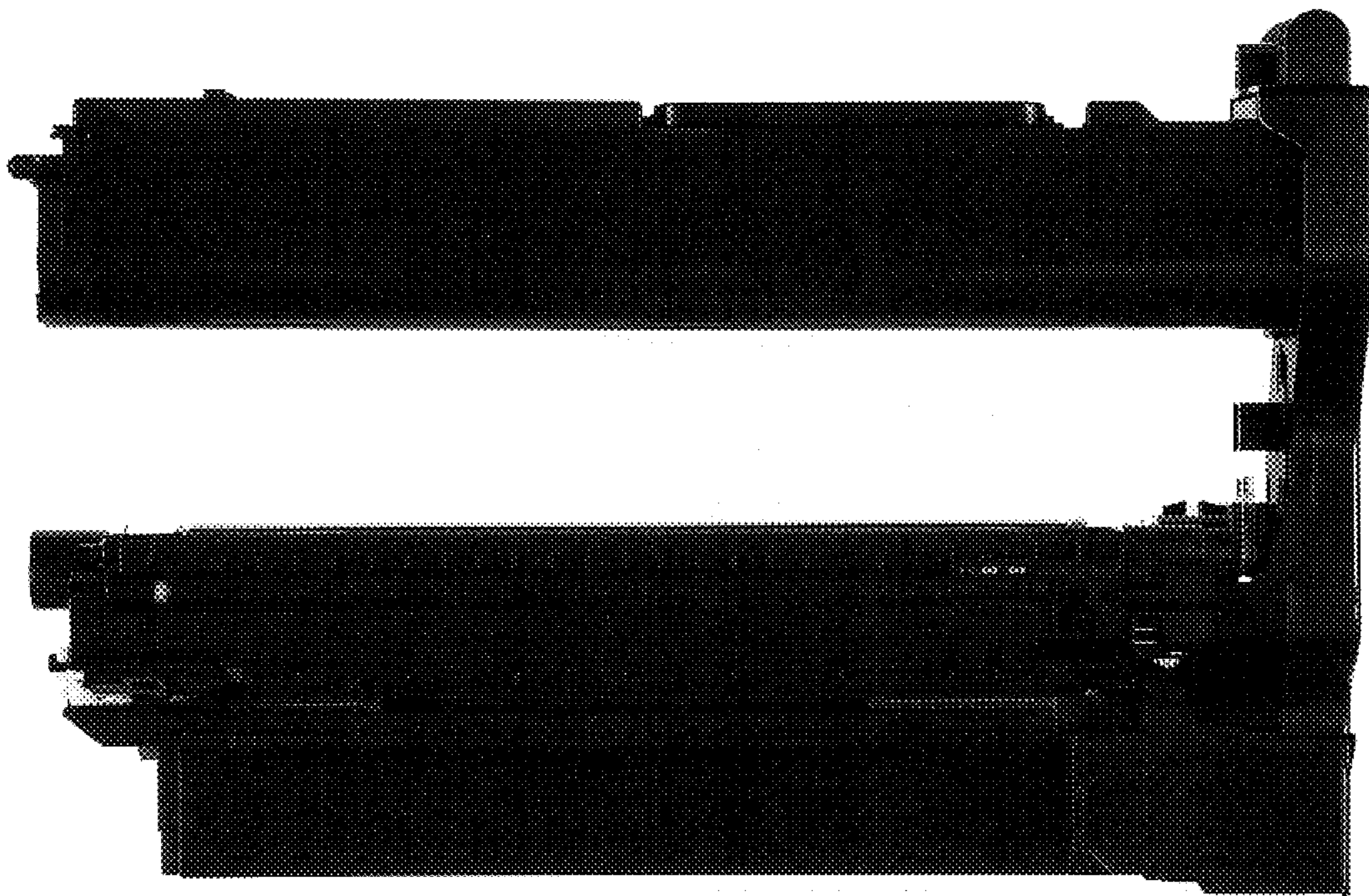


Fig. 7



Fig. 8

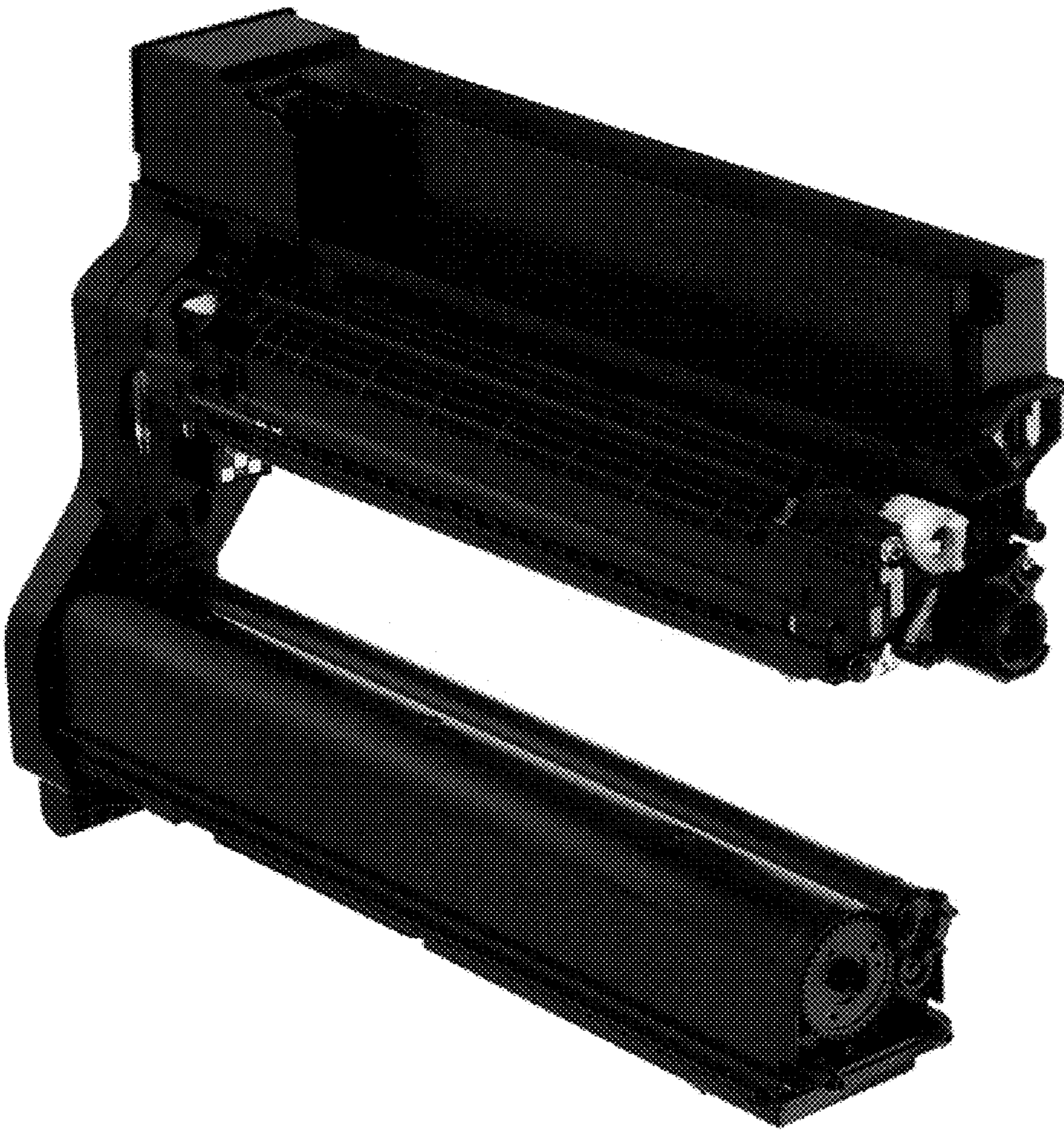


Fig. 9



Fig. 10

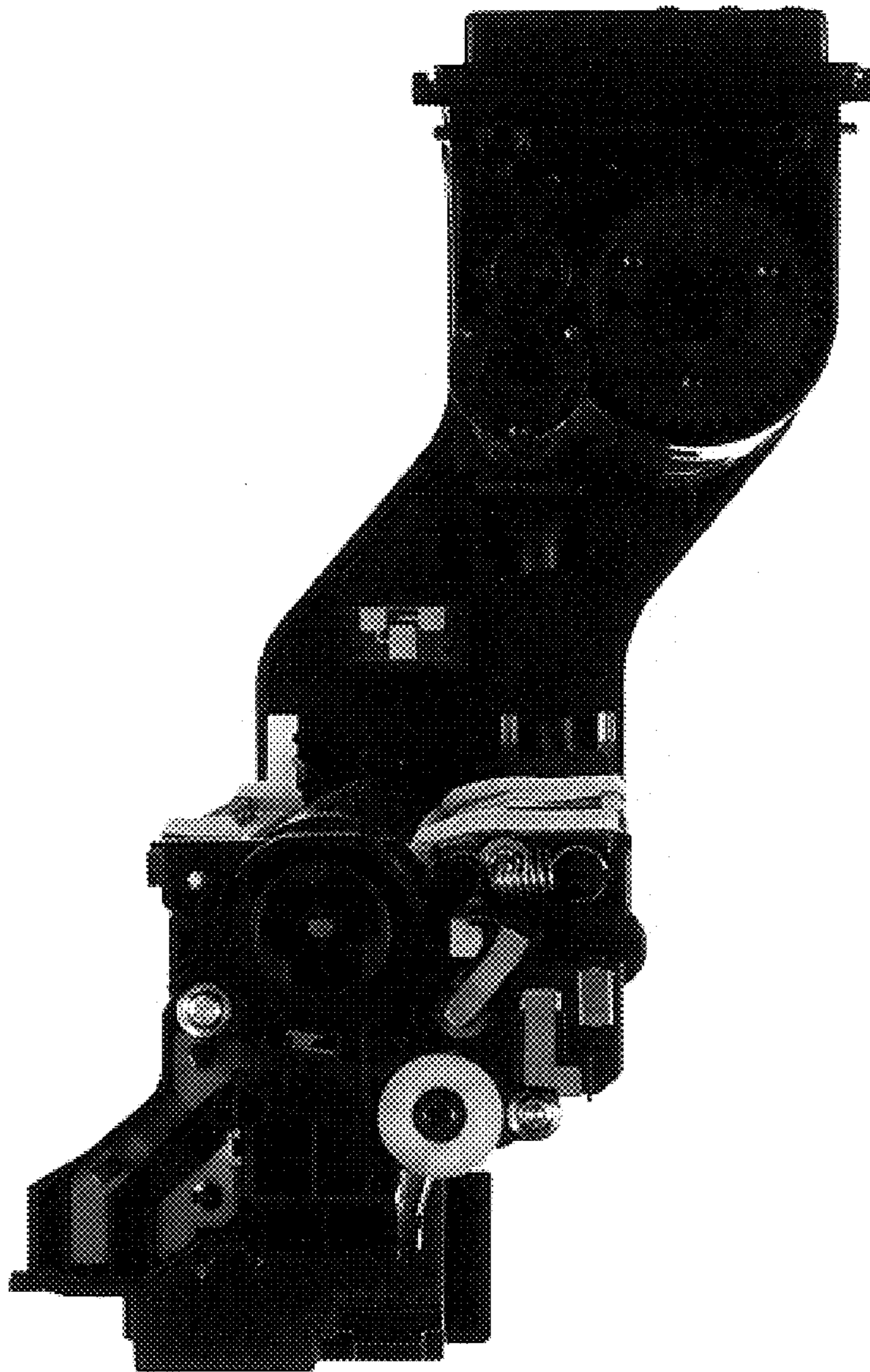


Fig. 1 1

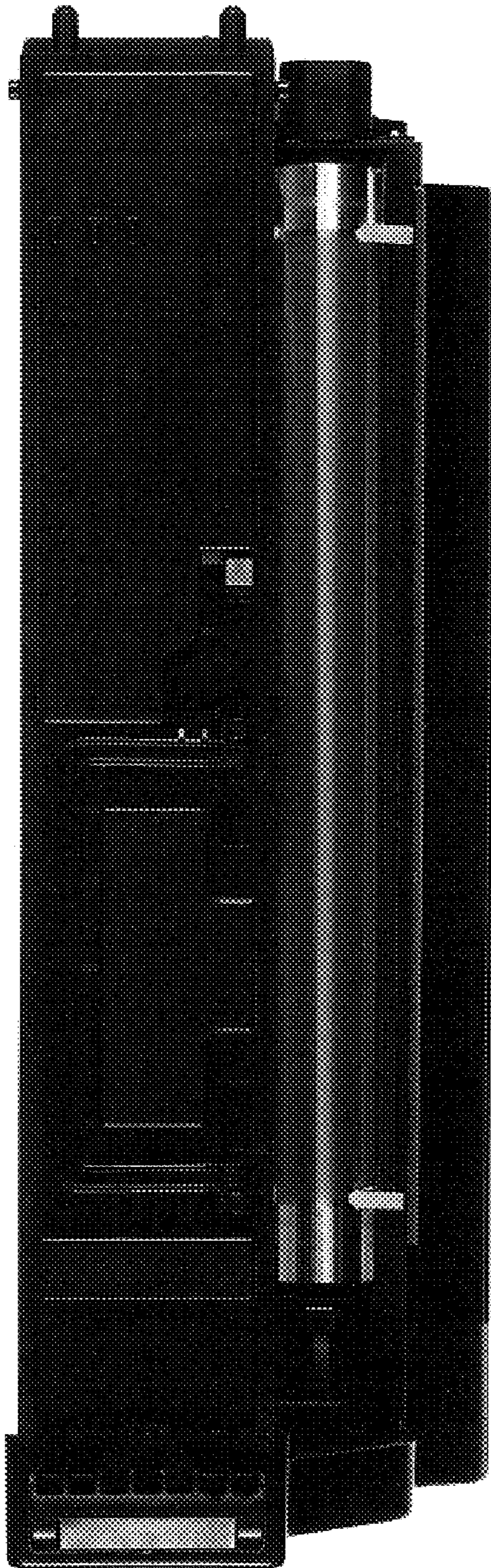


Fig. 1 2

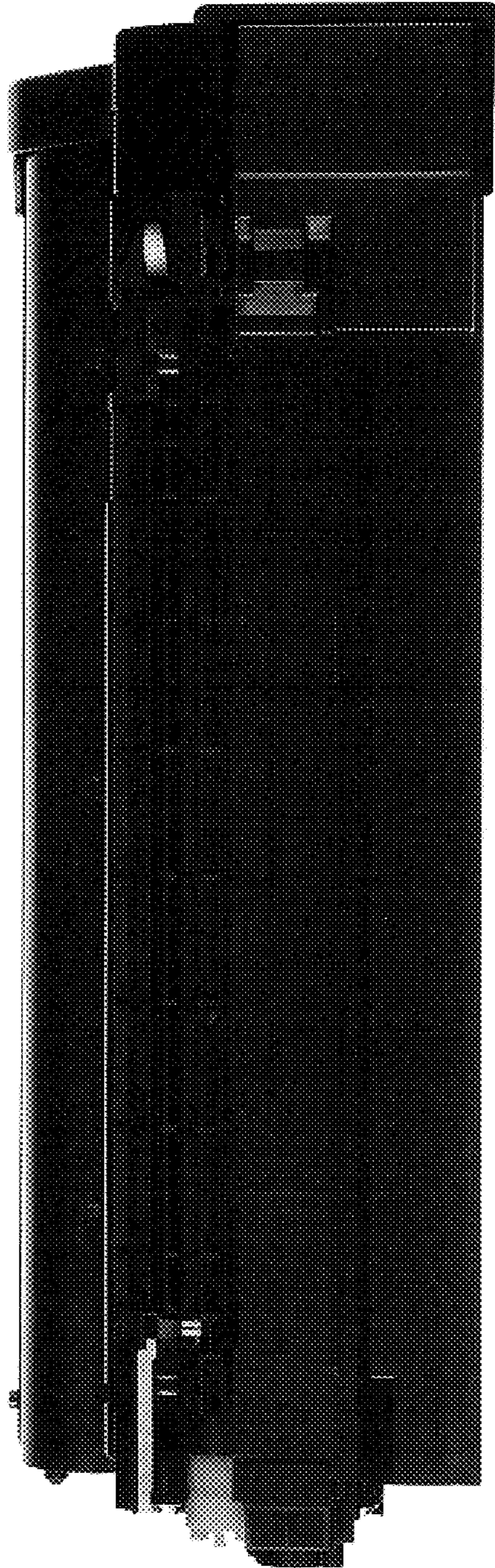


Fig. 1 3

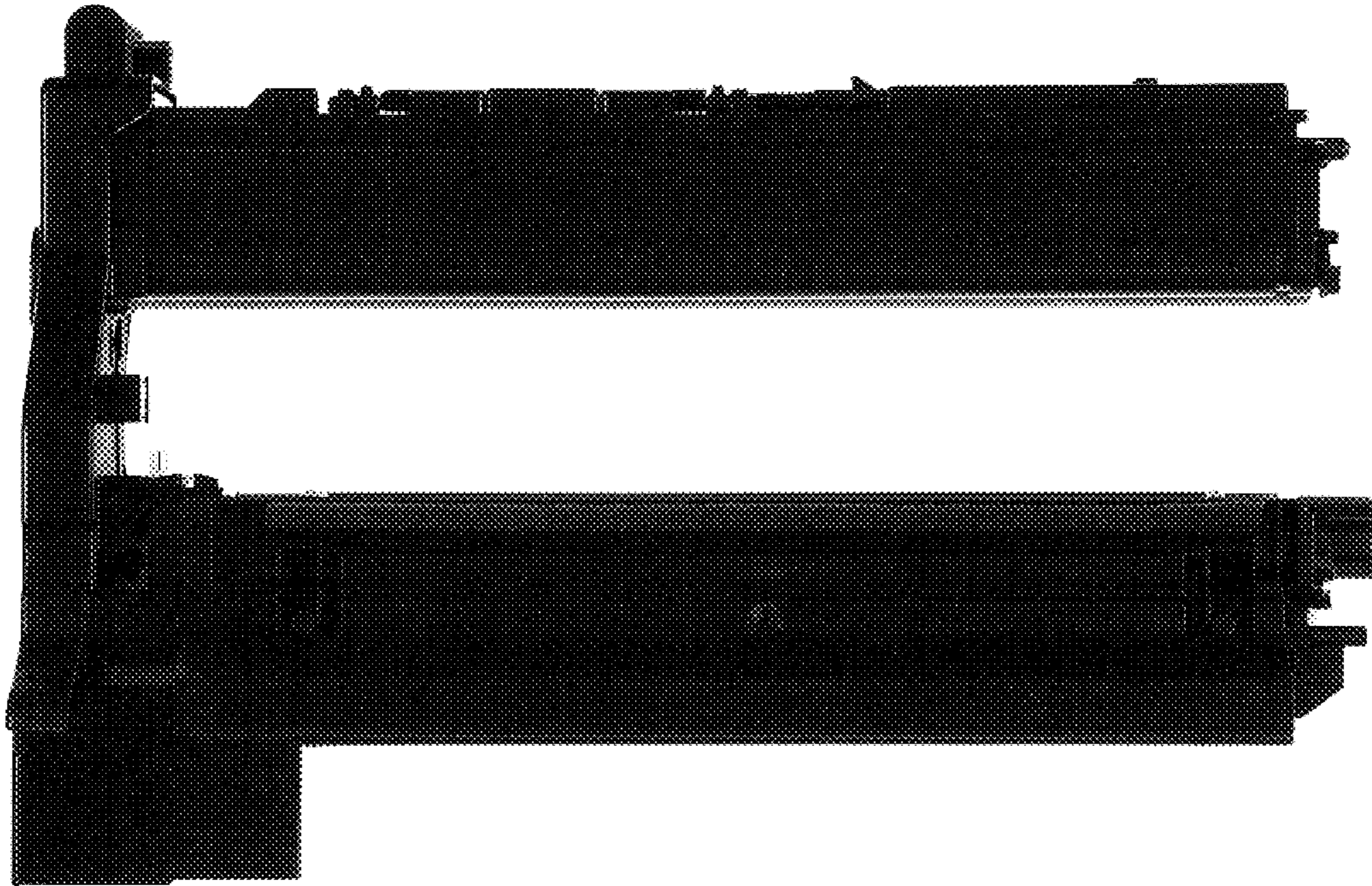


Fig. 14

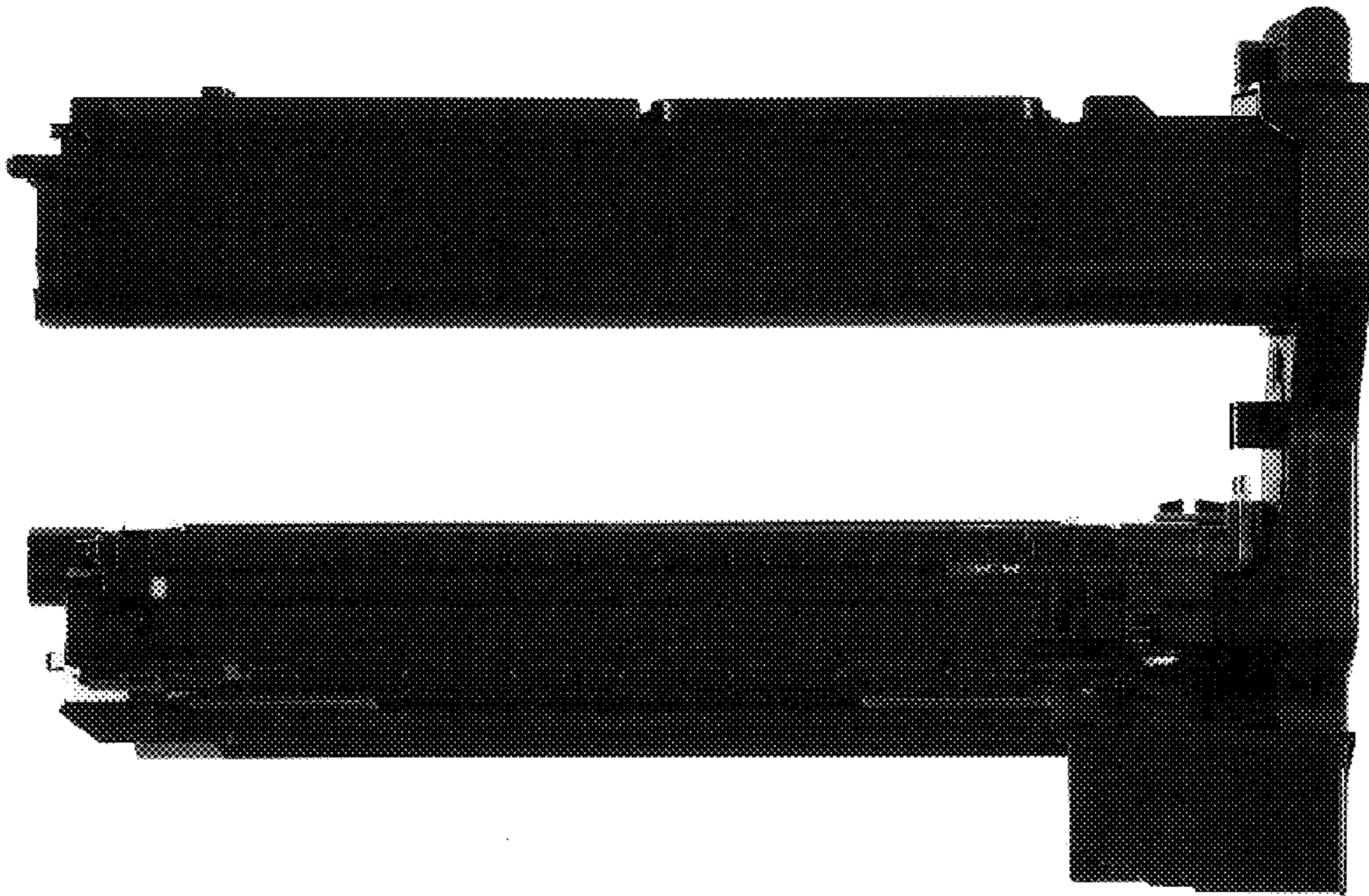
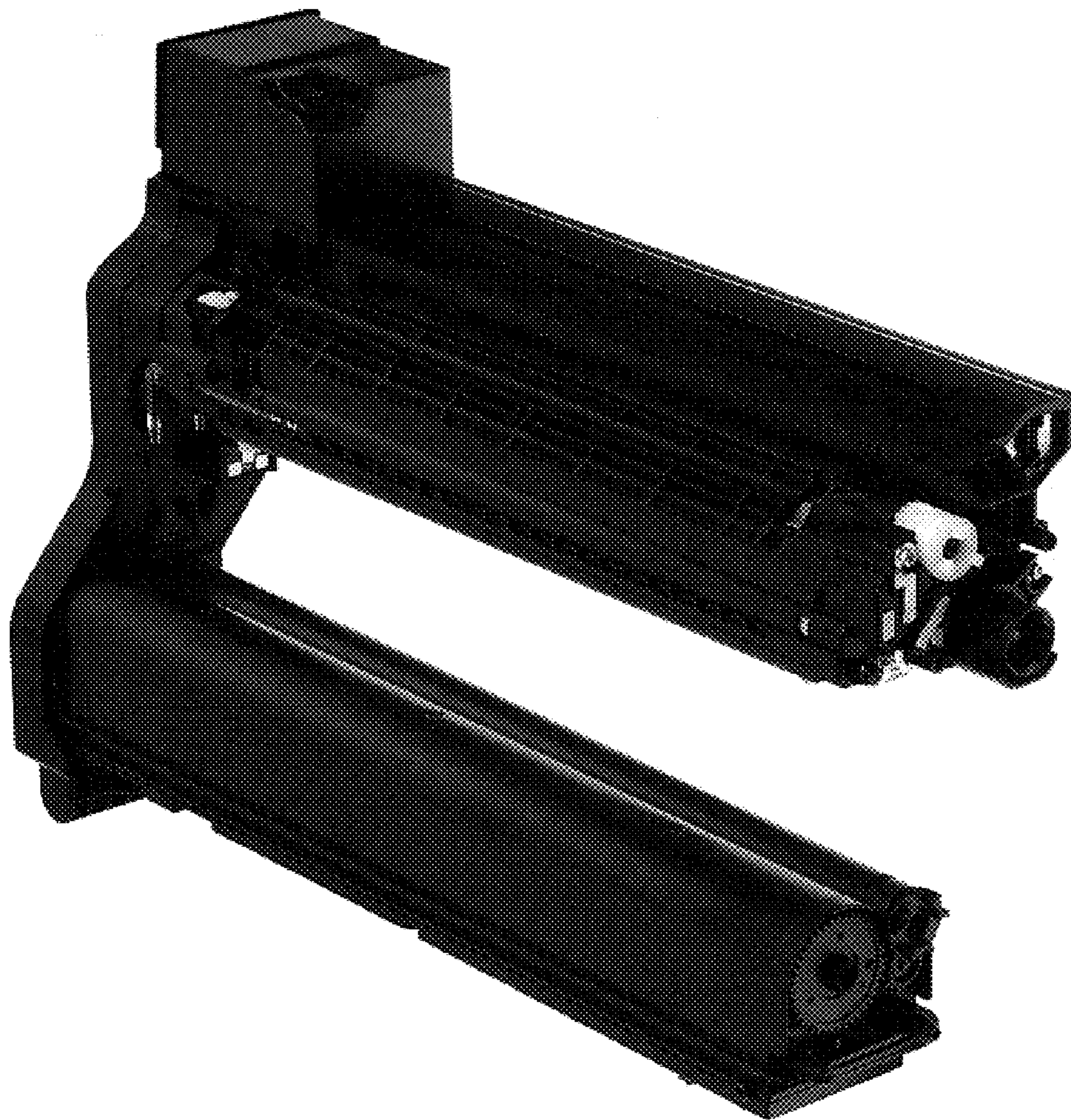


Fig. 1 5



Fig. 1 6



UNITED STATES PATENT AND TRADEMARK OFFICE
CERTIFICATE OF CORRECTION

PATENT NO. : Des. 553,183 S
APPLICATION NO. : 29/211301
DATED : October 16, 2007
INVENTOR(S) : Takeshi Hashimoto et al.

Page 1 of 1

It is certified that error appears in the above-identified patent and that said Letters Patent is hereby corrected as shown below:

Title Page
Section 73 (Assignee): change "Toyota" to --Tokyo--.

Signed and Sealed this

Sixth Day of May, 2008

A handwritten signature in black ink that reads "Jon W. Dudas". The signature is written in a cursive style with a large, looped initial "J".

JON W. DUDAS
Director of the United States Patent and Trademark Office