



US00D553181S

(12) **United States Design Patent**  
**Yasoshima**

(10) **Patent No.:** **US D553,181 S**

(45) **Date of Patent:** **\*\* Oct. 16, 2007**

(54) **COMBINED STAMP PAD AND LID**

(75) Inventor: **Ryo Yasoshima**, Tokyo (JP)

(73) Assignee: **Tsukineko Co., Ltd.**, Tokyo (JP)

(\*\*) Term: **14 Years**

(21) Appl. No.: **29/253,346**

(22) Filed: **Feb. 3, 2006**

(30) **Foreign Application Priority Data**

Dec. 26, 2005 (JP) ..... 2005-038041

(51) **LOC (8) Cl.** ..... **19-02**

(52) **U.S. Cl.** ..... **D18/17**

(58) **Field of Classification Search** ..... D18/15-18,  
D18/50; 101/333-334, 327, 405, 406, 328,  
101/352.07; 118/264, 268

See application file for complete search history.

(56) **References Cited**

**U.S. PATENT DOCUMENTS**

D233,174 S *	10/1974	Funahashi	.....	D18/15
D318,685 S *	7/1991	Kida	.....	D18/15
D339,819 S *	9/1993	Chen	.....	D18/15
D353,392 S *	12/1994	Winston	.....	D18/17
D419,178 S *	1/2000	Kim et al.	.....	D18/15
D427,624 S *	7/2000	Yasohima	.....	D18/17
D447,166 S *	8/2001	Yasoshima	.....	D18/17
D459,386 S *	6/2002	Pichler	.....	D18/17
7,077,063 B2 *	7/2006	Petersen	.....	101/333

\* cited by examiner

*Primary Examiner*—Charles A. Rademaker

(74) *Attorney, Agent, or Firm*—Seed IP Law Group PLLC

(57) **CLAIM**

The ornamental design for a combined stamp pad and lid, as shown and described.

**DESCRIPTION**

FIG. 1 is a top perspective view of a combined stamp pad and lid showing my new design;

FIG. 2 is a bottom perspective view thereof;

FIG. 3 is a rear perspective view thereof;

FIG. 4 is a side elevation thereof;

FIG. 5 is a front perspective view thereof;

FIG. 6 is a top perspective view of the design shown in FIGS. 1 through 5 with the lid removed;

FIG. 7 is a side elevation thereof;

FIG. 8 is a front perspective thereof;

FIG. 9 is a rear perspective view thereof;

FIG. 10 is a top plan view of the lid member of the design shown in FIGS. 1 through 5;

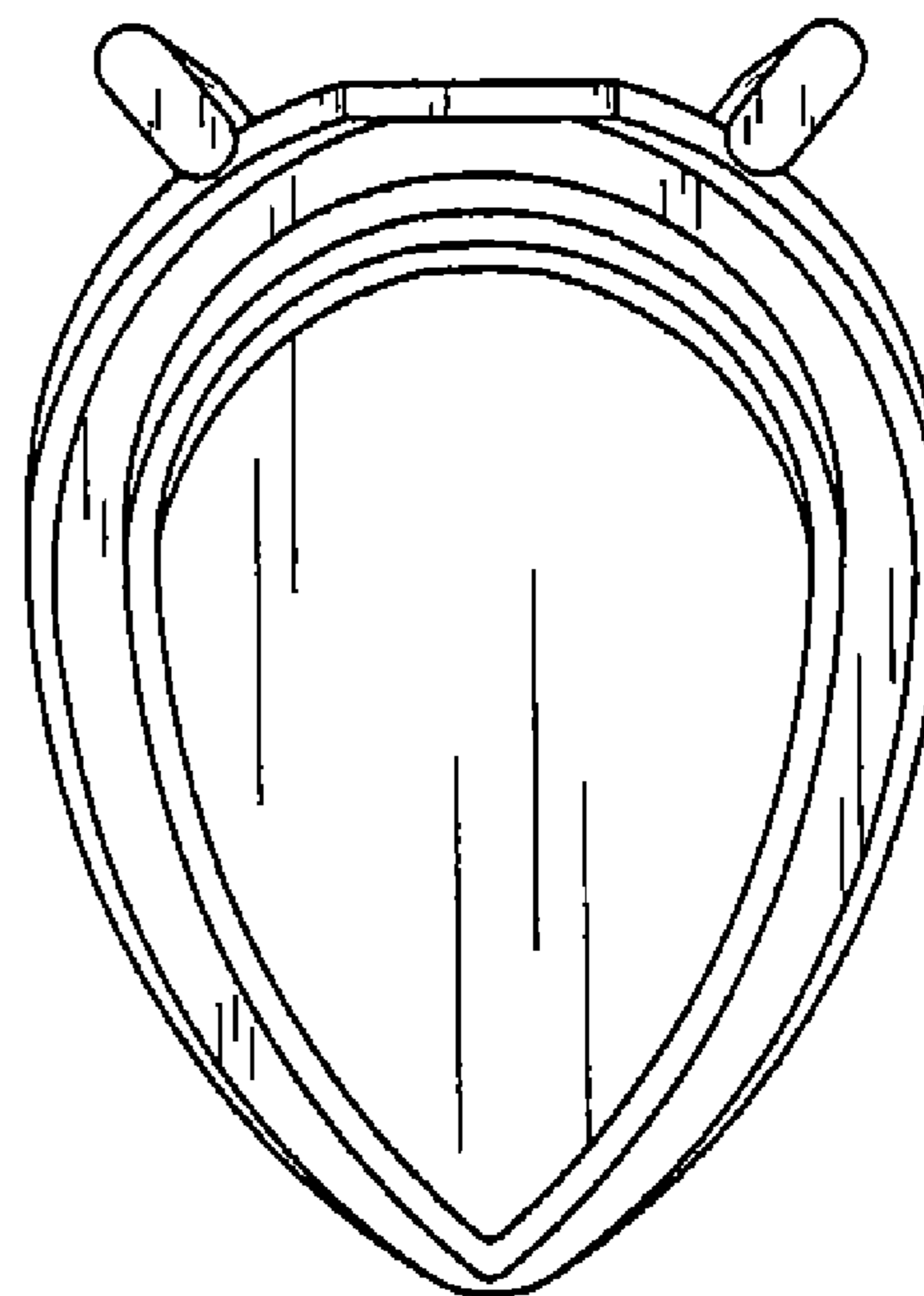
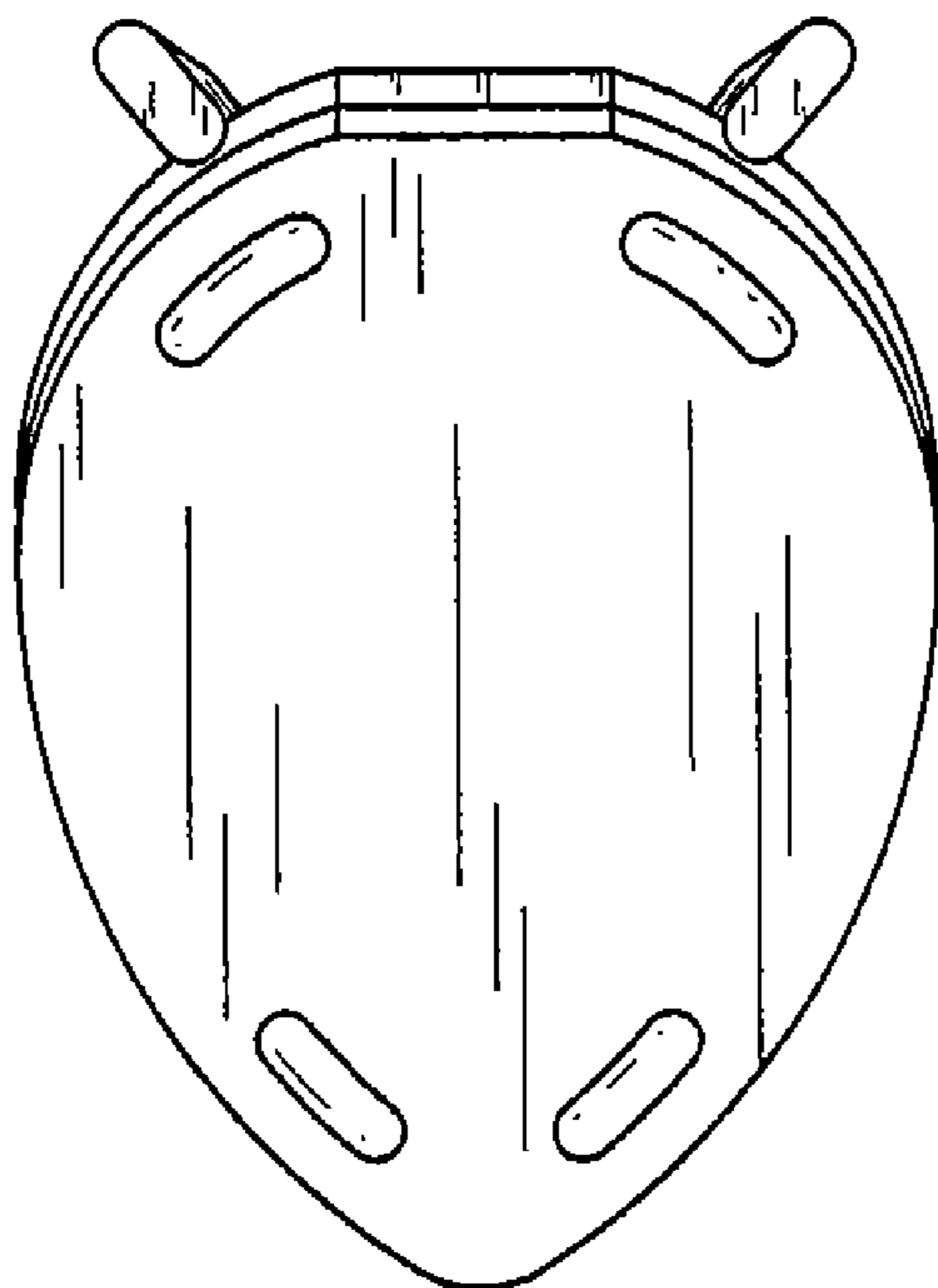
FIG. 11 is a bottom plan view thereof;

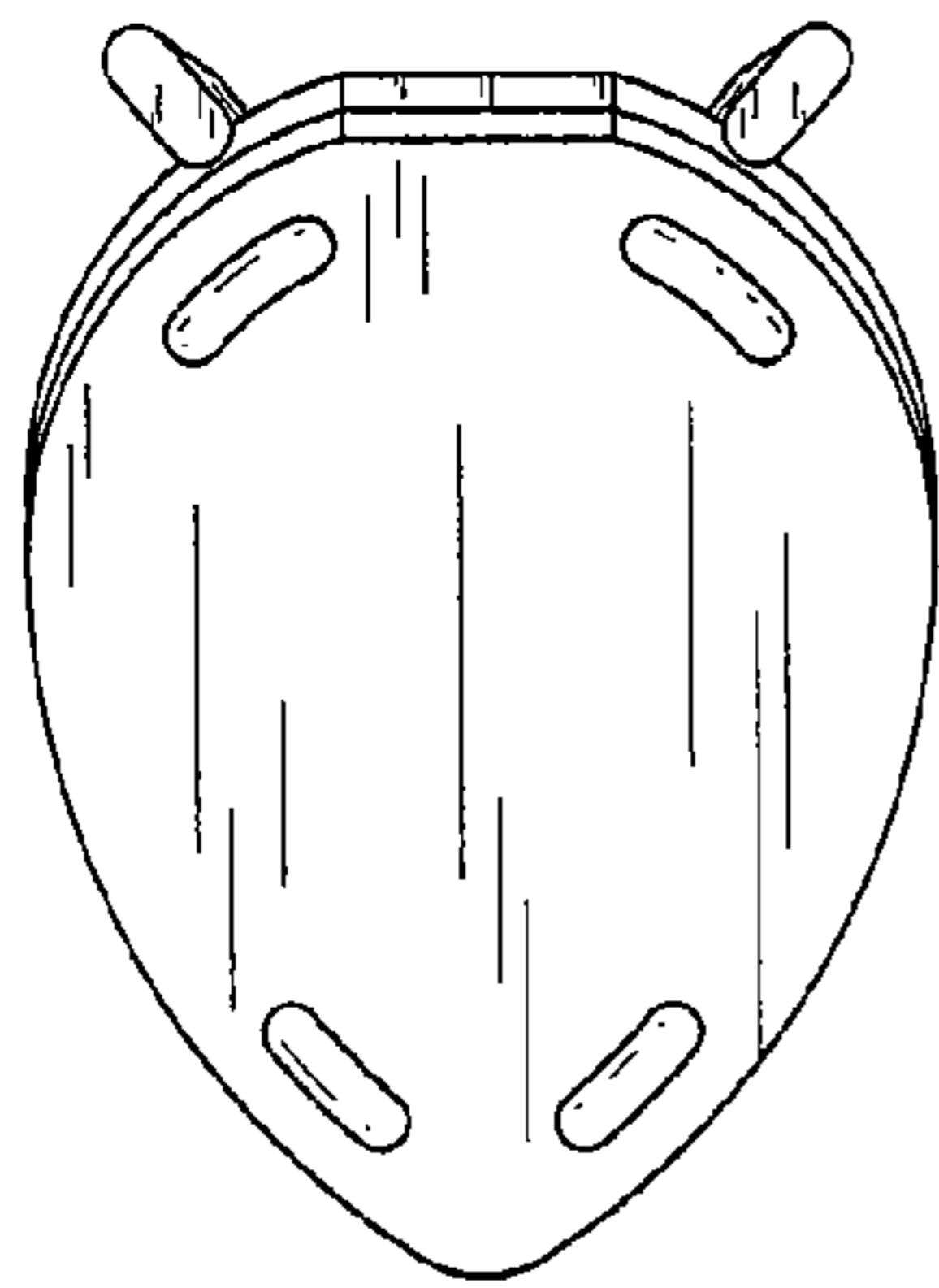
FIG. 12 is a side elevation thereof;

FIG. 13 is a rear elevation thereof; and,

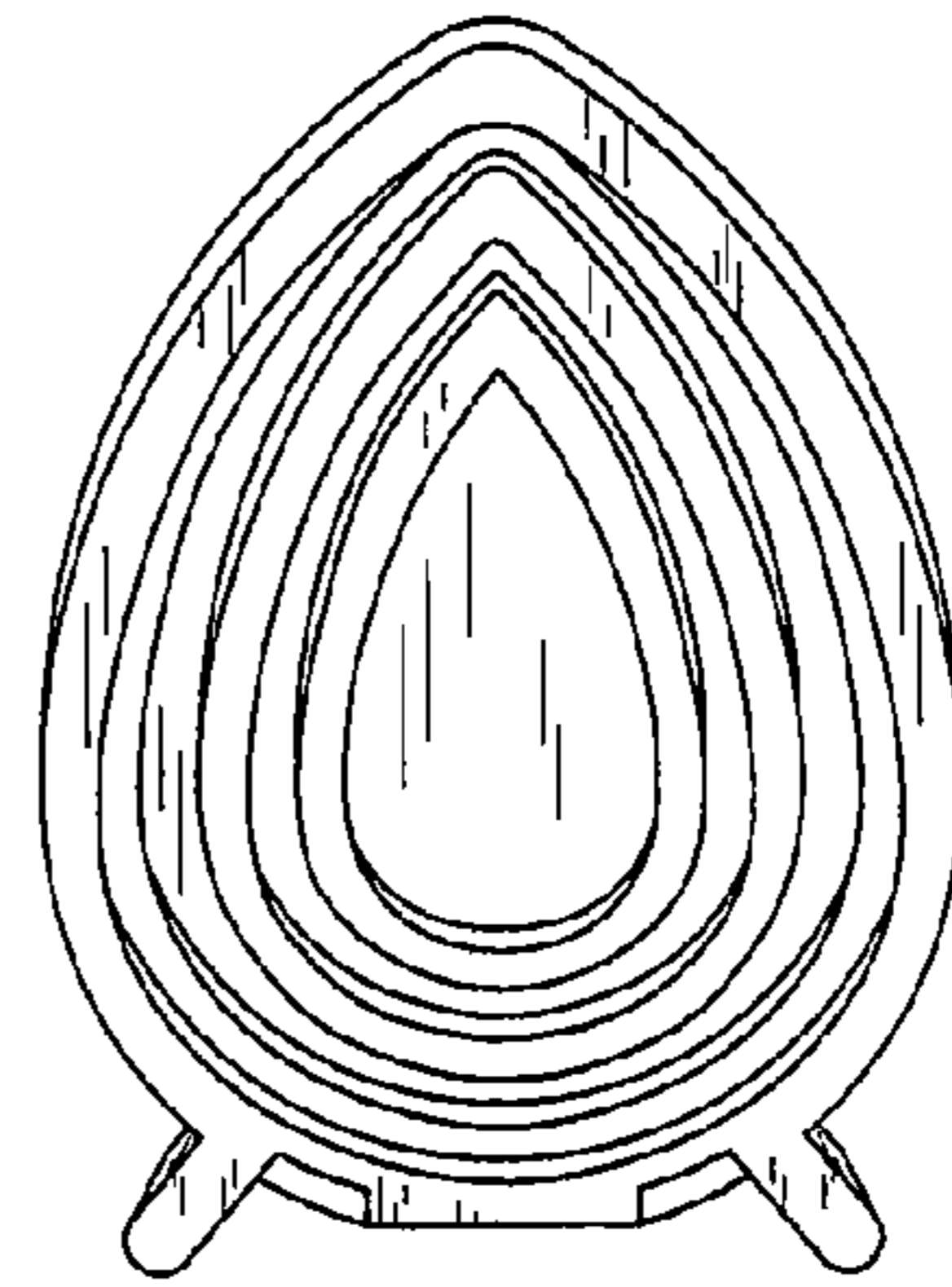
FIG. 14 is a front elevation thereof shown in an inverted condition.

**1 Claim, 3 Drawing Sheets**

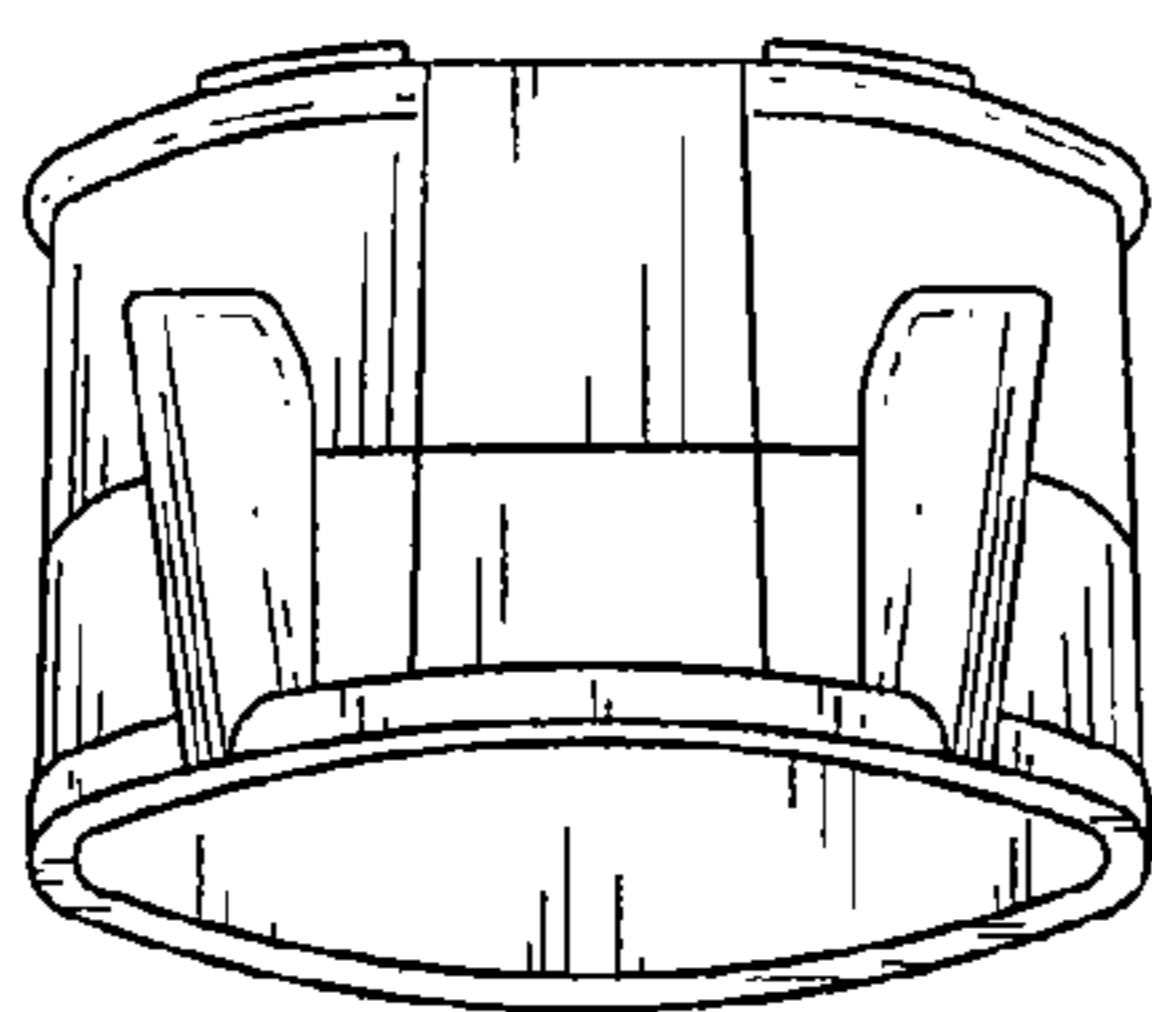




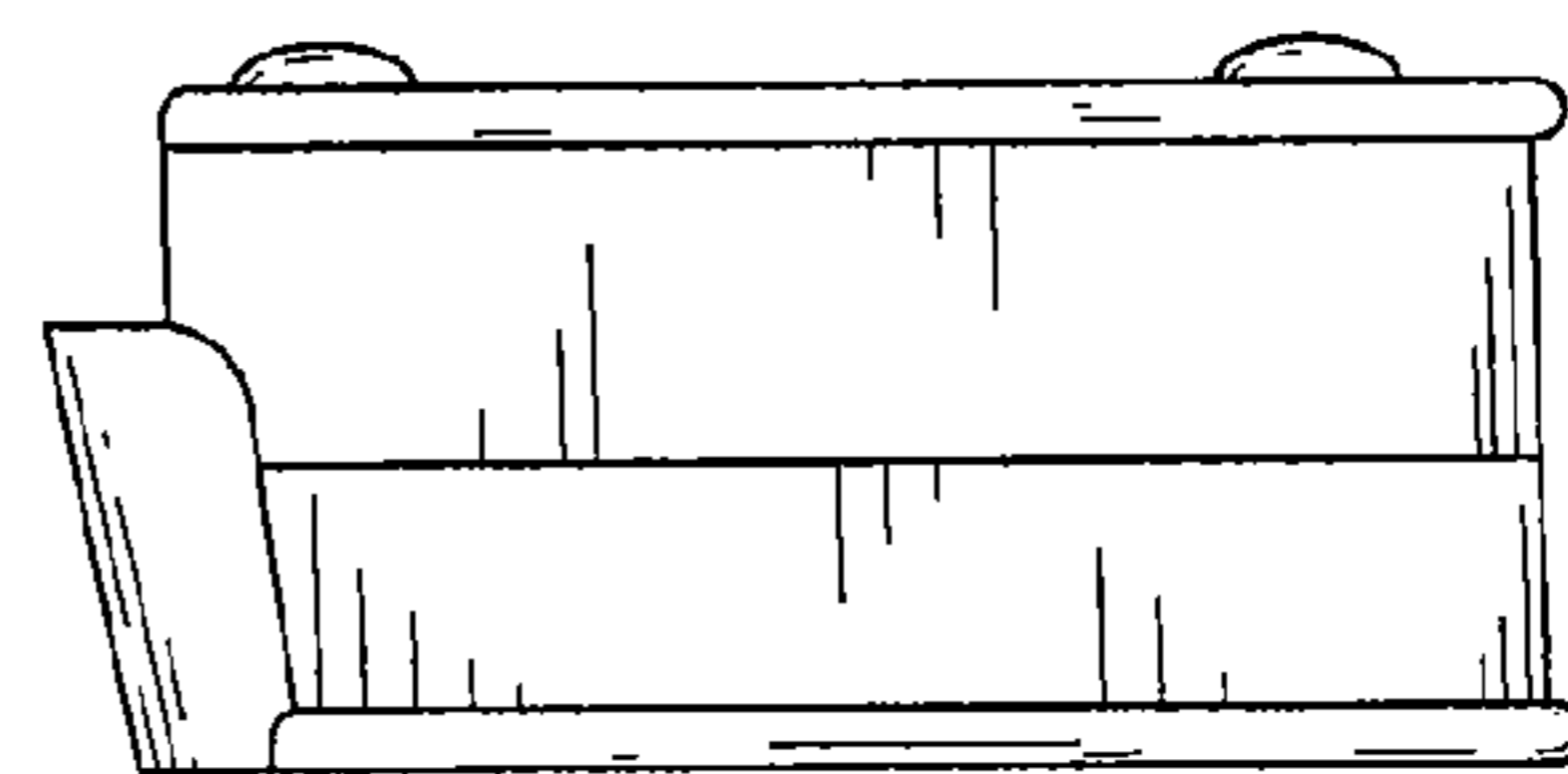
*FIG. 1*



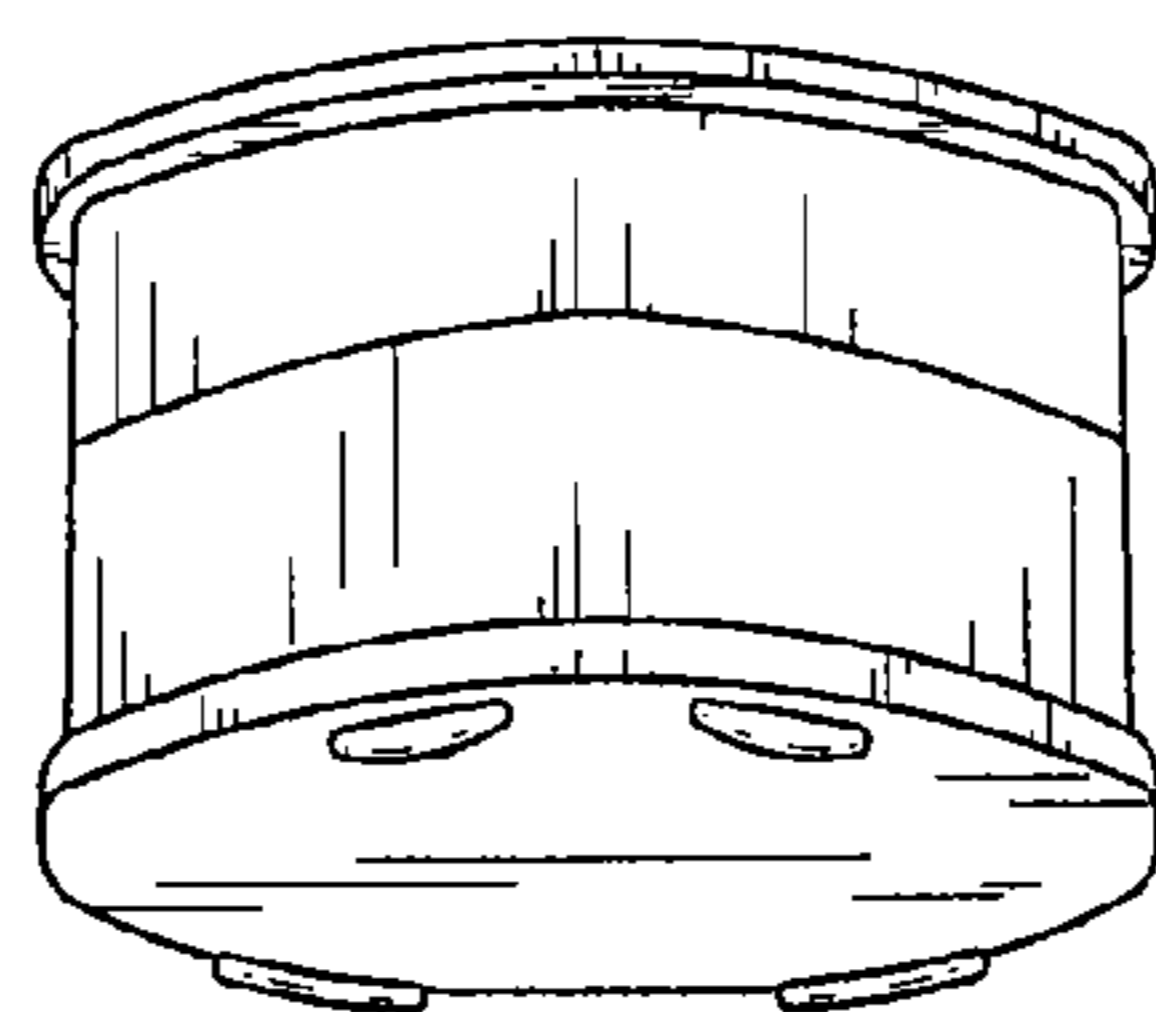
*FIG. 2*



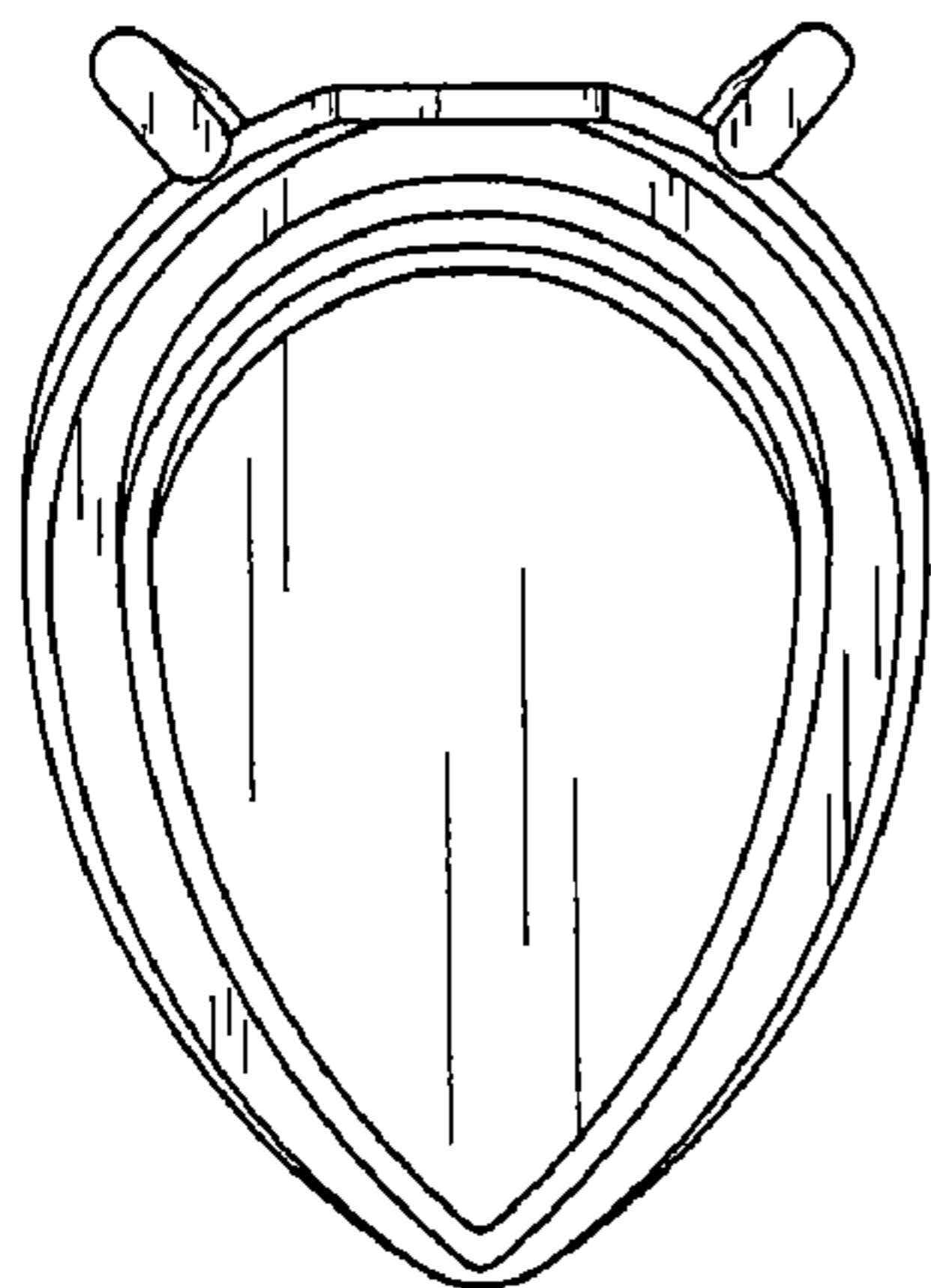
*FIG. 3*



*FIG. 4*



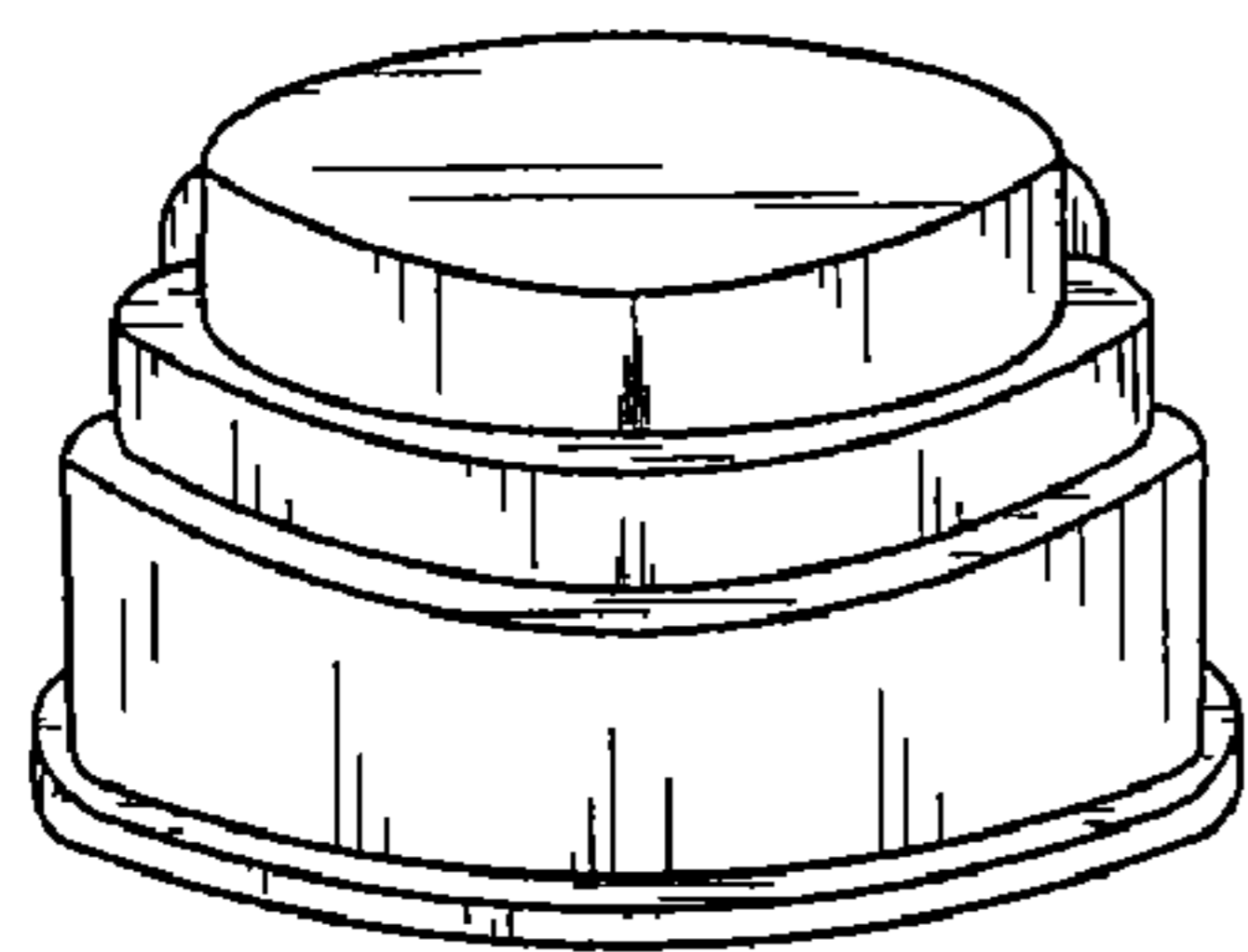
*FIG. 5*



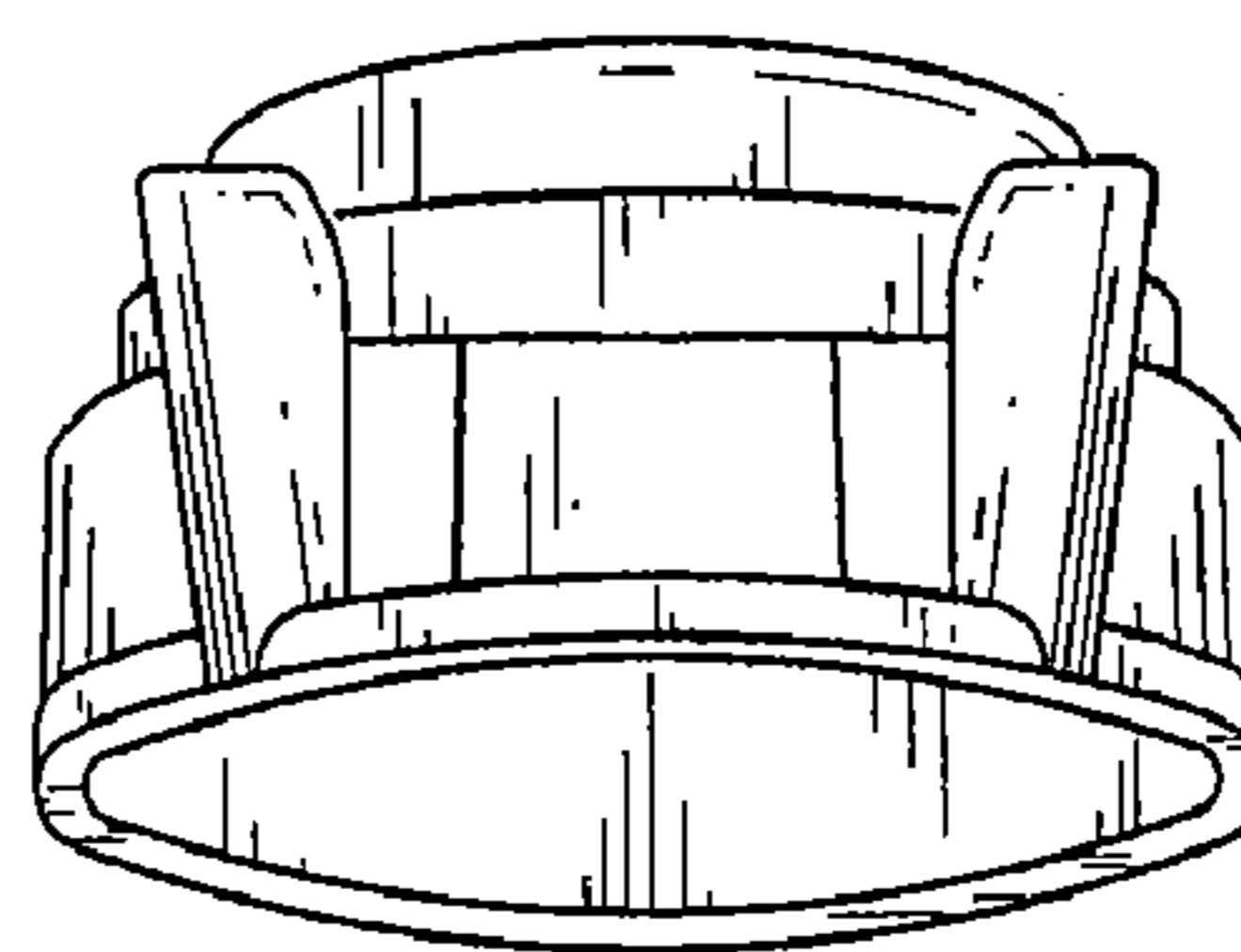
*FIG. 6*



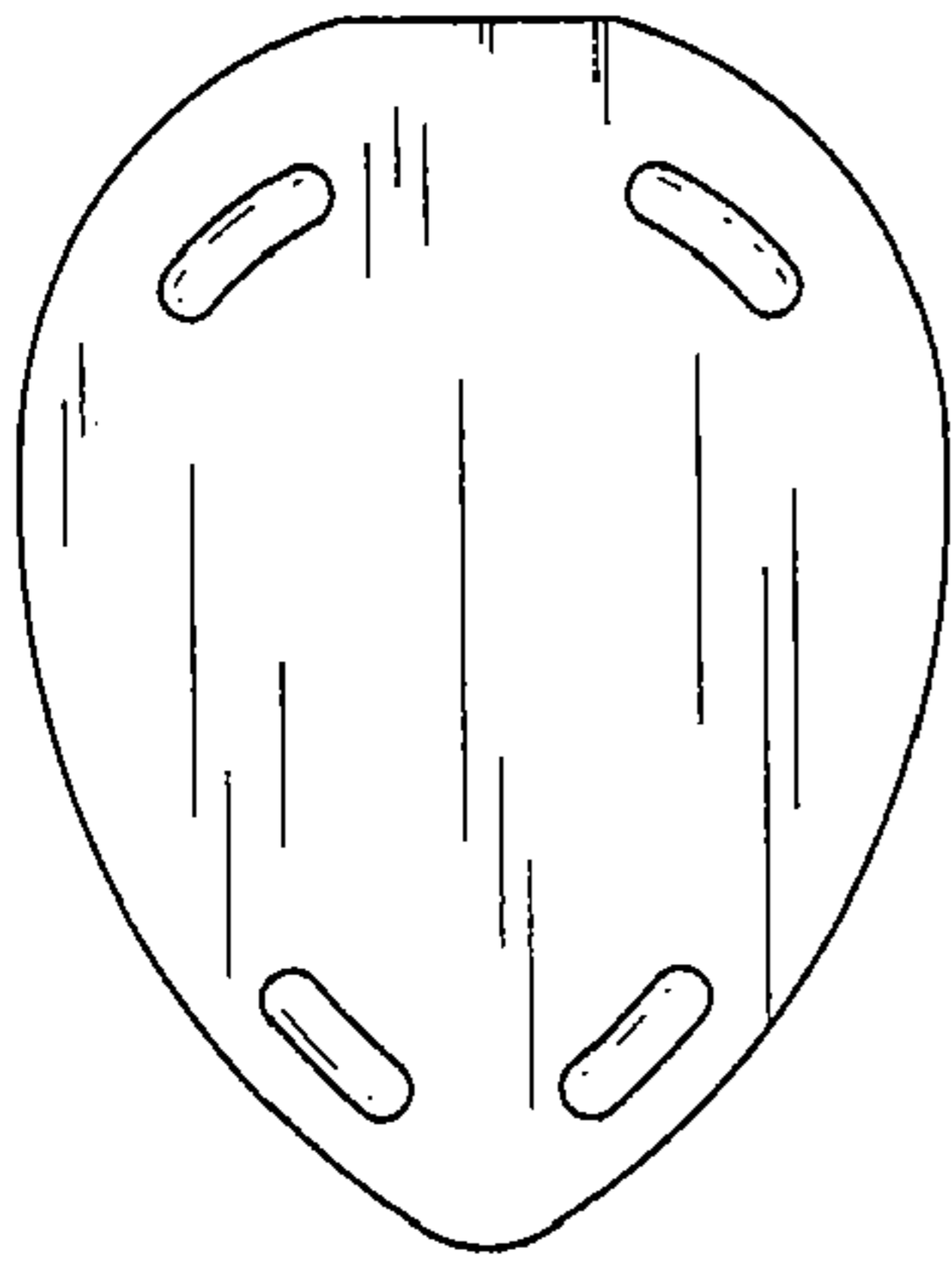
*FIG. 7*



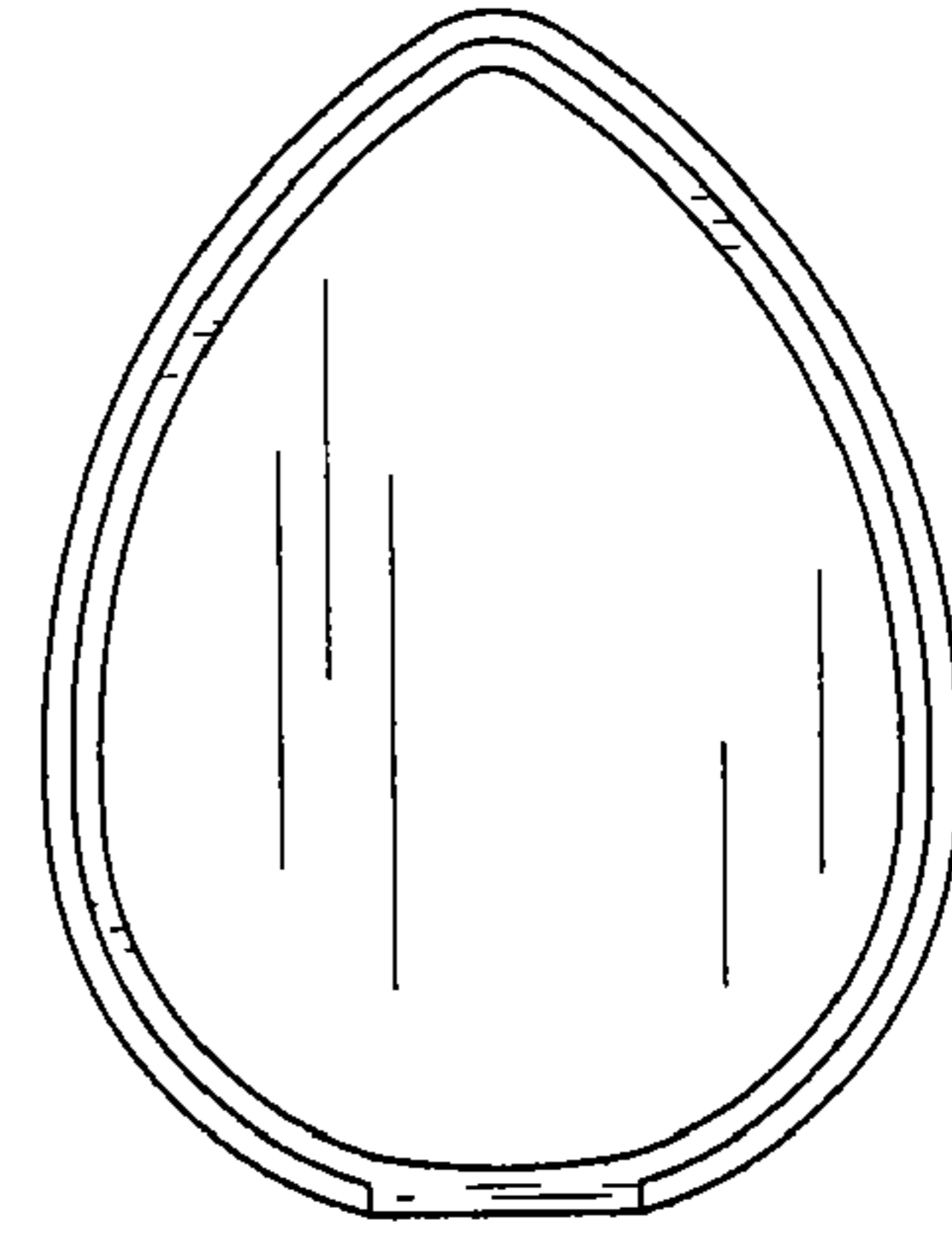
*FIG. 8*



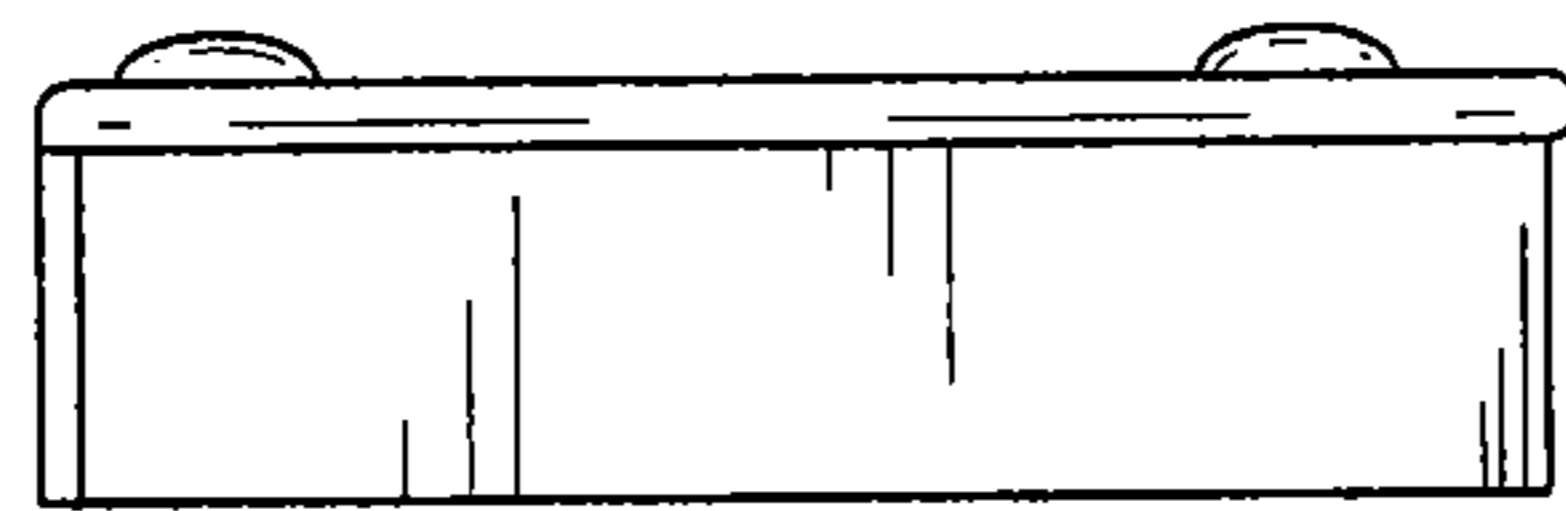
*FIG. 9*



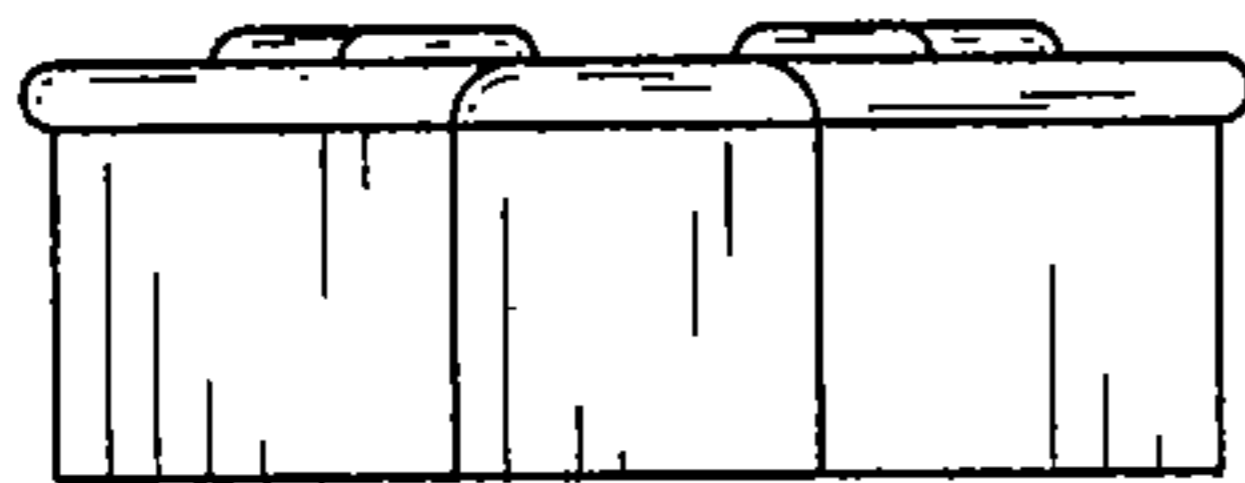
*FIG. 10*



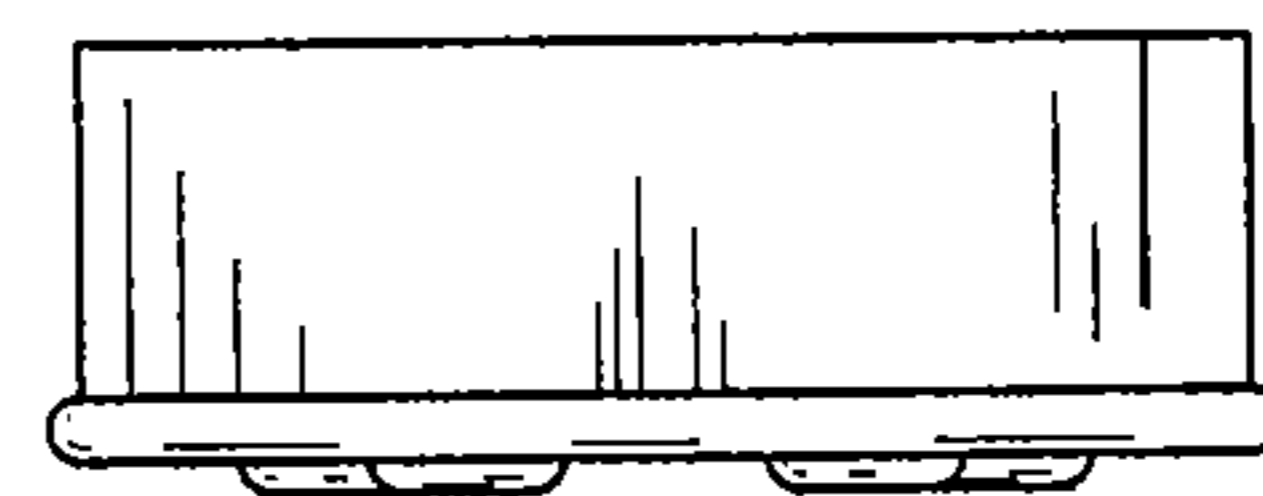
*FIG. 11*



*FIG. 12*



*FIG. 13*



*FIG. 14*