



US00D553179S

(12) **United States Design Patent**
Irvine

(10) **Patent No.:** **US D553,179 S**

(45) **Date of Patent:** **** Oct. 16, 2007**

(54) **HINGE FOR SPECTACLES**

2005/0078272 A1* 4/2005 Quehin 351/153
2006/0209251 A1* 9/2006 Kacavenda 351/153

(75) Inventor: **James Irvine**, Milan (IT)

* cited by examiner

(73) Assignee: **Demo Holding S.A.**, Luxembourg (LU)

Primary Examiner—T. Chase Nelson

(**) Term: **14 Years**

Assistant Examiner—Barbara Blanton Lohr

(21) Appl. No.: **29/268,179**

(74) *Attorney, Agent, or Firm*—Knobbe, Martens, Olson & Bear LLP

(22) Filed: **Oct. 31, 2006**

(57) **CLAIM**

(30) **Foreign Application Priority Data**

The ornamental design for hinge for spectacles, as shown and described.

May 3, 2006 (EM) 000522511

(51) **LOC (8) Cl.** **06-06**

(52) **U.S. Cl.** **D16/334**

(58) **Field of Classification Search** D16/300–330,
D16/332–338, 900; D21/190; D24/110.2;
351/41, 44, 51, 52, 61–63, 83, 86, 92, 103–117,
351/119, 121–124, 128, 130–132, 136–139,
351/153, 158, 159; 16/228; D12/191; D29/103–104,
D29/109–110; 248/902, 474

See application file for complete search history.

(56) **References Cited**

U.S. PATENT DOCUMENTS

D285,452	S *	9/1986	Tabacchi	D16/334
5,235,356	A *	8/1993	Israel	351/153
D367,876	S *	3/1996	Rabut	D16/334
6,353,965	B1 *	3/2002	Lo	16/228
D458,625	S *	6/2002	Desbierz-Piat	D16/334
D458,627	S *	6/2002	Desbierz-Piat	D16/334
6,540,351	B1 *	4/2003	Meiler	351/116
D480,414	S *	10/2003	Koenig	D16/330
7,090,347	B1 *	8/2006	Rotman	351/153
2003/0076475	A1 *	4/2003	Meiler	351/111

DESCRIPTION

FIG. 1 is a bottom plan view of a hinge for spectacles according to the new design.

FIG. 2 is an outer side view of the design of FIG. 1.

FIG. 3 is a top plan view of the design of FIG. 1.

FIG. 4 is an inner side view of the design of FIG. 1.

FIG. 5 is a back plan view of the design of FIG. 1.

FIG. 6 is a front plan view of the design of FIG. 1.

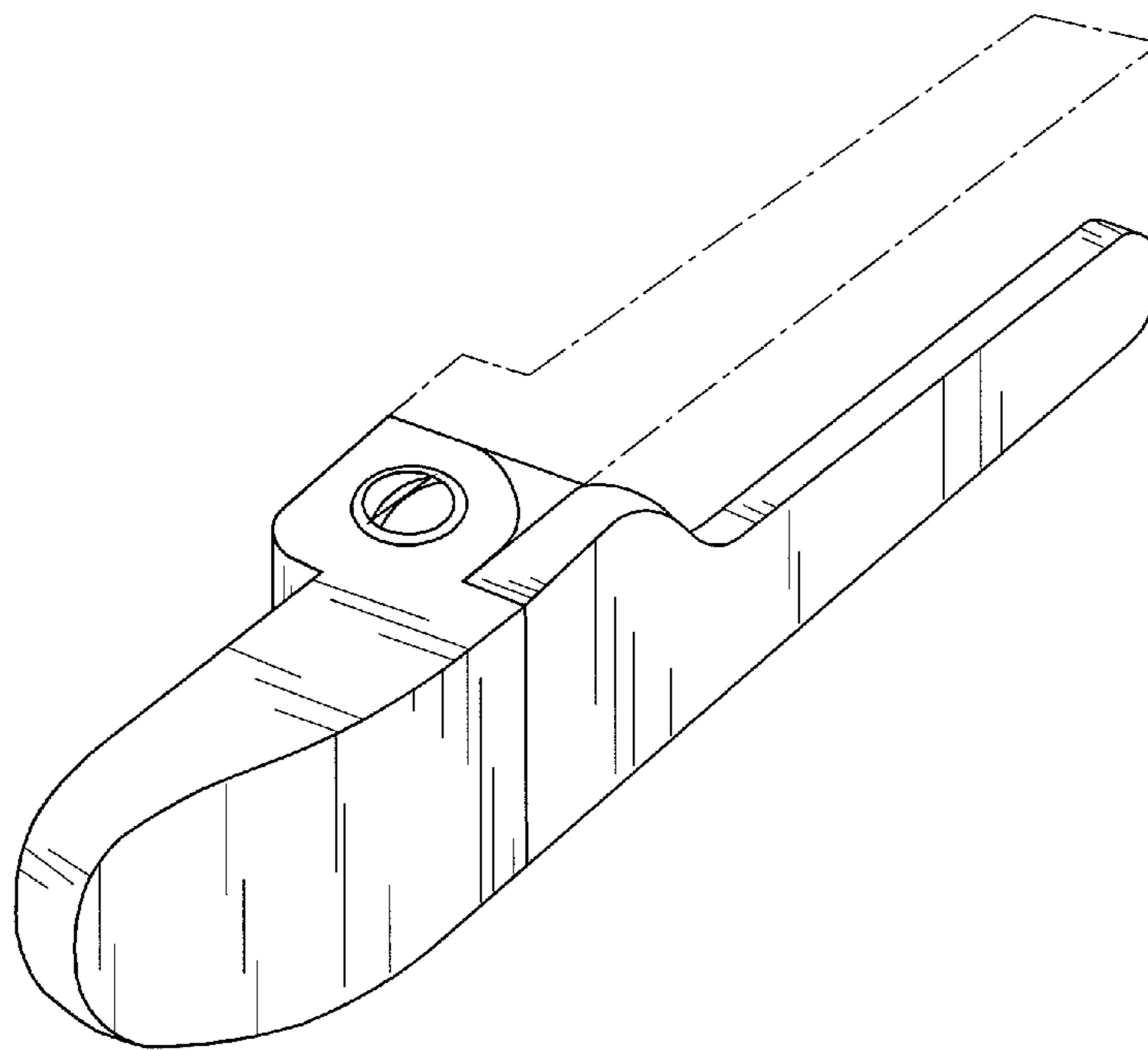
FIG. 7 is a perspective view of the design of FIG. 1.

FIG. 8 is an outer side view of the design shown in condition of use when the hinge is attached to the right side of a set of spectacles; and,

FIG. 9 is an outer side view of the design of FIG. 1, shown in condition of use when the hinge is attached to the left side of a set of spectacles.

The broken line drawing is for illustrative purposes only and forms no part of the claimed design.

1 Claim, 3 Drawing Sheets



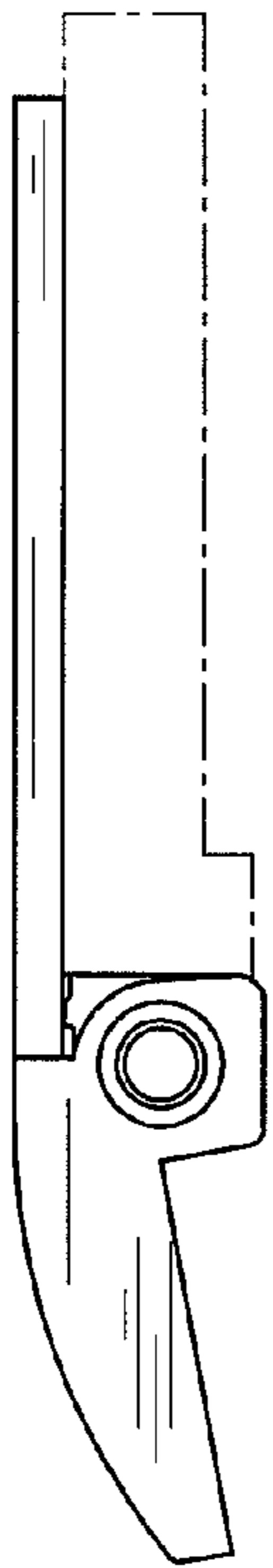


FIG. 1

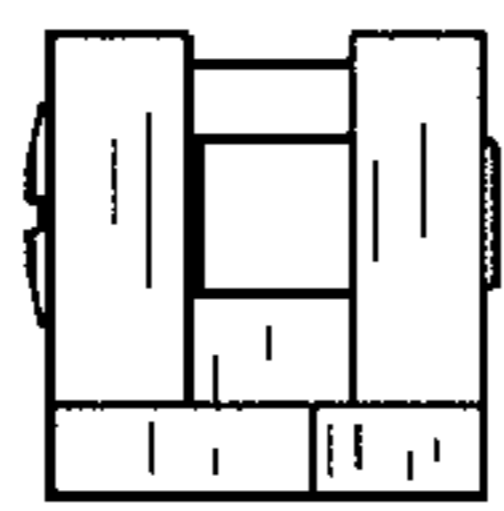


FIG. 5



FIG. 2

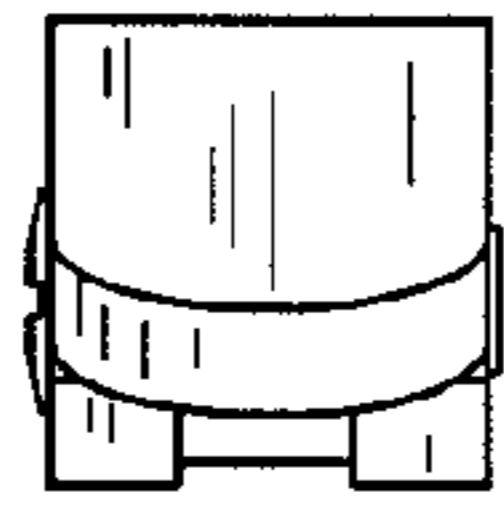


FIG. 6

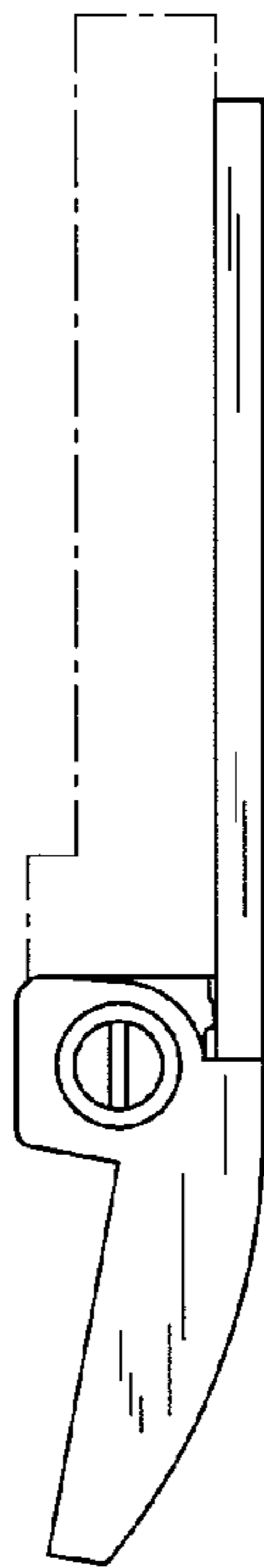


FIG. 3



FIG. 4

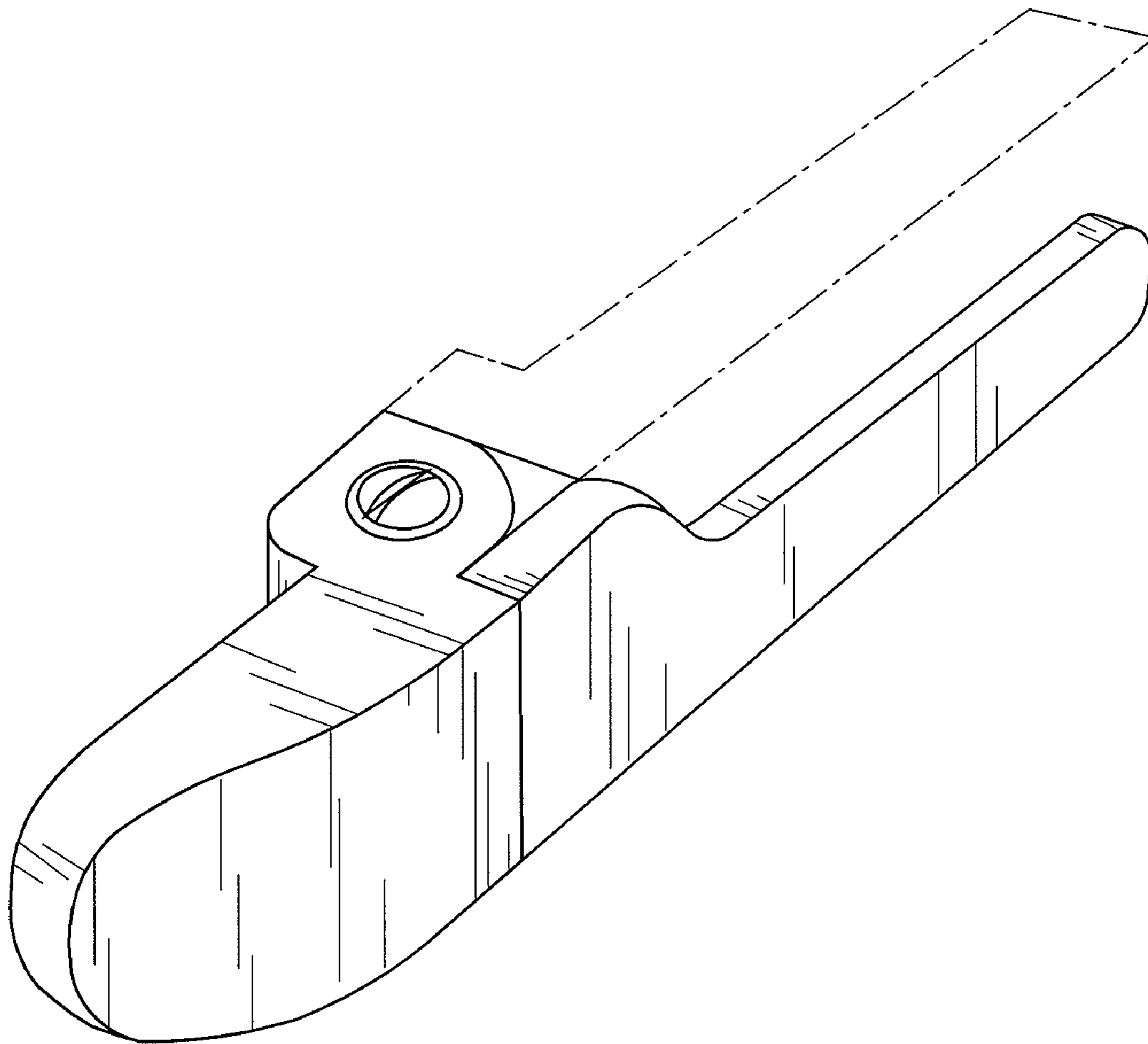


FIG. 7

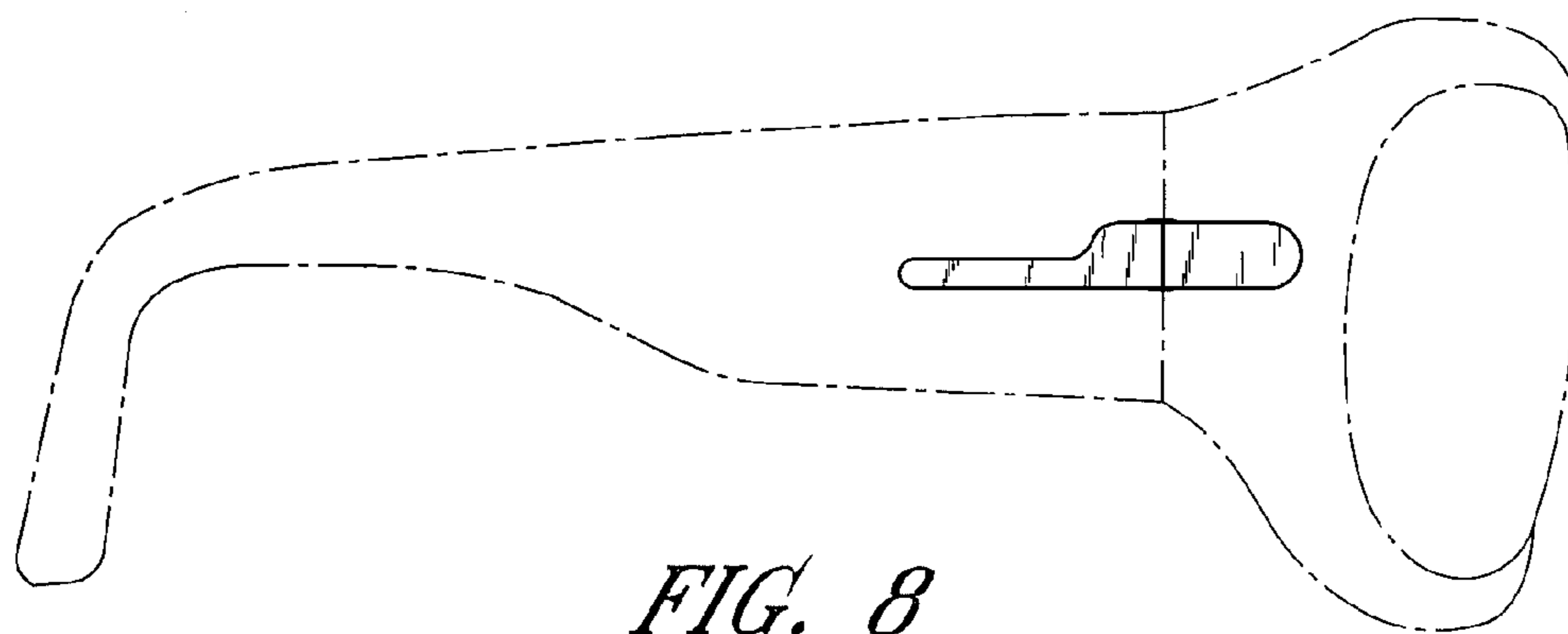


FIG. 8

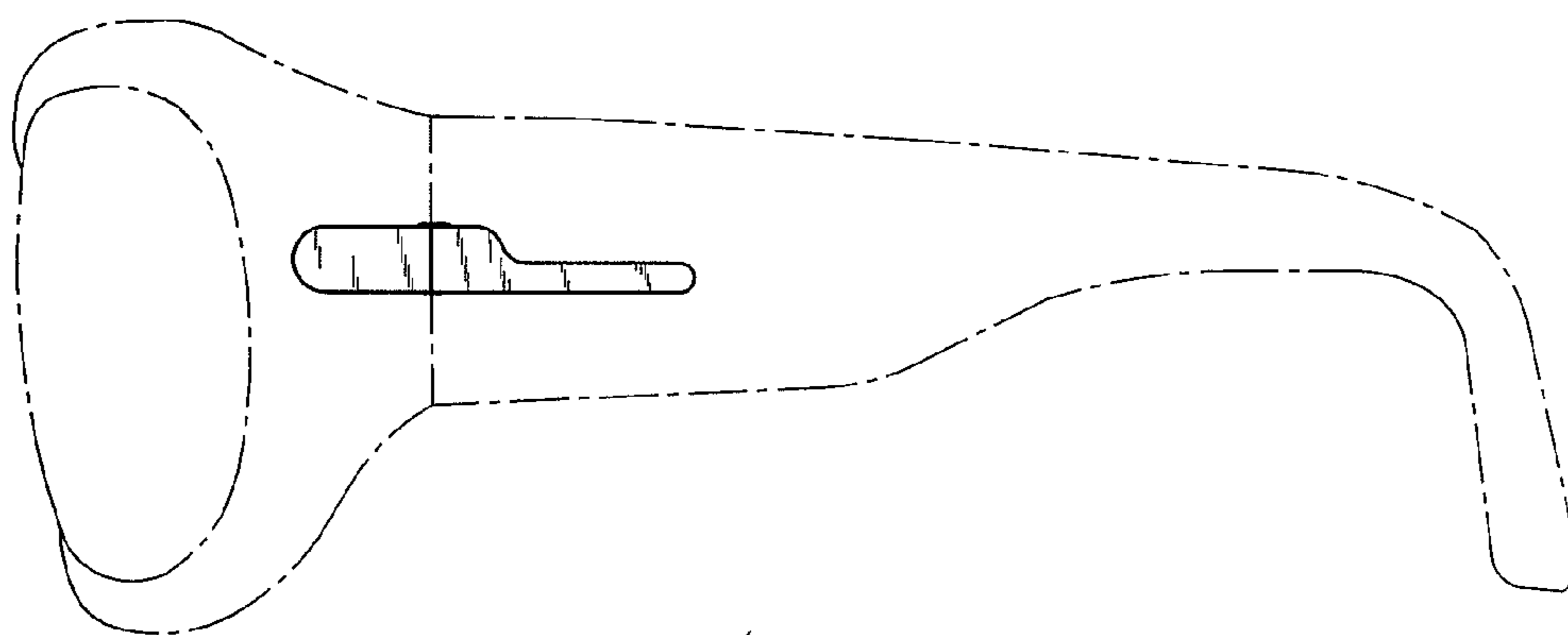


FIG. 9