



US00D553178S

(12) **United States Design Patent**
Yip et al.

(10) **Patent No.:** **US D553,178 S**

(45) **Date of Patent:** **** Oct. 16, 2007**

(54) **CLIP AND SUPPORT ASSEMBLY FOR A HEAD MOUNTED MAGNIFIER**

D509,356 S * 9/2005 Kushner D3/266
D541,324 S * 4/2007 Yip et al. D16/135

* cited by examiner

(75) Inventors: **Gin Fai Yip**, North Point (HK); **Bryan Yip**, Kowloon (HK)

Primary Examiner—T. Chase Nelson

Assistant Examiner—Barbara B. Lohr

(73) Assignee: **Leading Extreme Optimist Industries, Ltd.**, Chai Wan (HK)

(74) *Attorney, Agent, or Firm*—Carmody & Torrance LLP

(**) Term: **14 Years**

(57) **CLAIM**

(21) Appl. No.: **29/271,888**

The ornamental design for a clip and support assembly for a head mounted magnifier, as shown and described.

(22) Filed: **Jan. 29, 2007**

DESCRIPTION

(51) **LOC (8) Cl.** **16-06**

FIG. 1 is a perspective view of a clip and support assembly for a head mounted magnifier showing our new design;

(52) **U.S. Cl.** **D16/330**

FIG. 2 is a top plan view of FIG. 1;

(58) **Field of Classification Search** D16/101,
D16/135, 300–330, 332–338, 900; D3/266;
248/206.3, 309.1, 316.7; 351/41–92, 103–111,
351/114, 117, 119, 121–124, 128, 130–132,
351/136–139, 153, 158

FIG. 3 is a bottom plan view of FIG. 1;

FIG. 4 is a right side elevational view of FIG. 1;

FIG. 5 is a left side elevational view of FIG. 1;

See application file for complete search history.

FIG. 6 is a first end elevational view of FIG. 1 showing the magnifying lens of the clip and support assembly for a head mounted magnifier in an alternative position; and,

FIG. 7 is a second end elevational view of FIG. 1 showing the magnifying lens of the clip and support assembly for a head mounted magnifier in an alternative position.

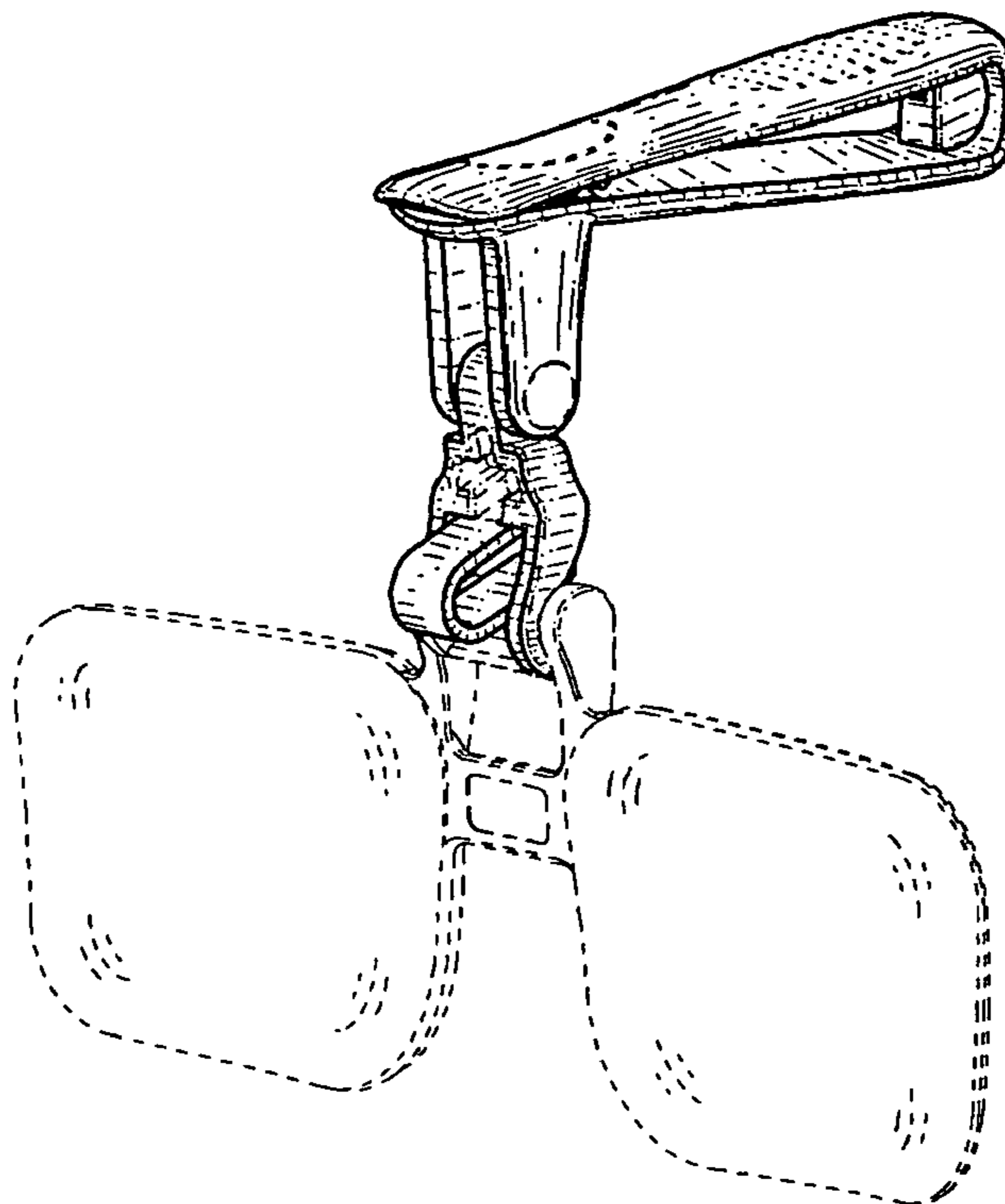
(56) **References Cited**

The broken line drawing is for illustrative purposes only and forms no part of the claimed design.

U.S. PATENT DOCUMENTS

- 4,867,402 A * 9/1989 Benson et al. 248/206.3
- 5,137,242 A * 8/1992 Reath 248/309.1
- 5,975,476 A * 11/1999 Mancinelli 248/316.7
- D456,606 S * 5/2002 Kim D3/266
- 6,406,144 B1 * 6/2002 Waters 351/56
- D508,063 S * 8/2005 Yip et al. D16/135

1 Claim, 7 Drawing Sheets



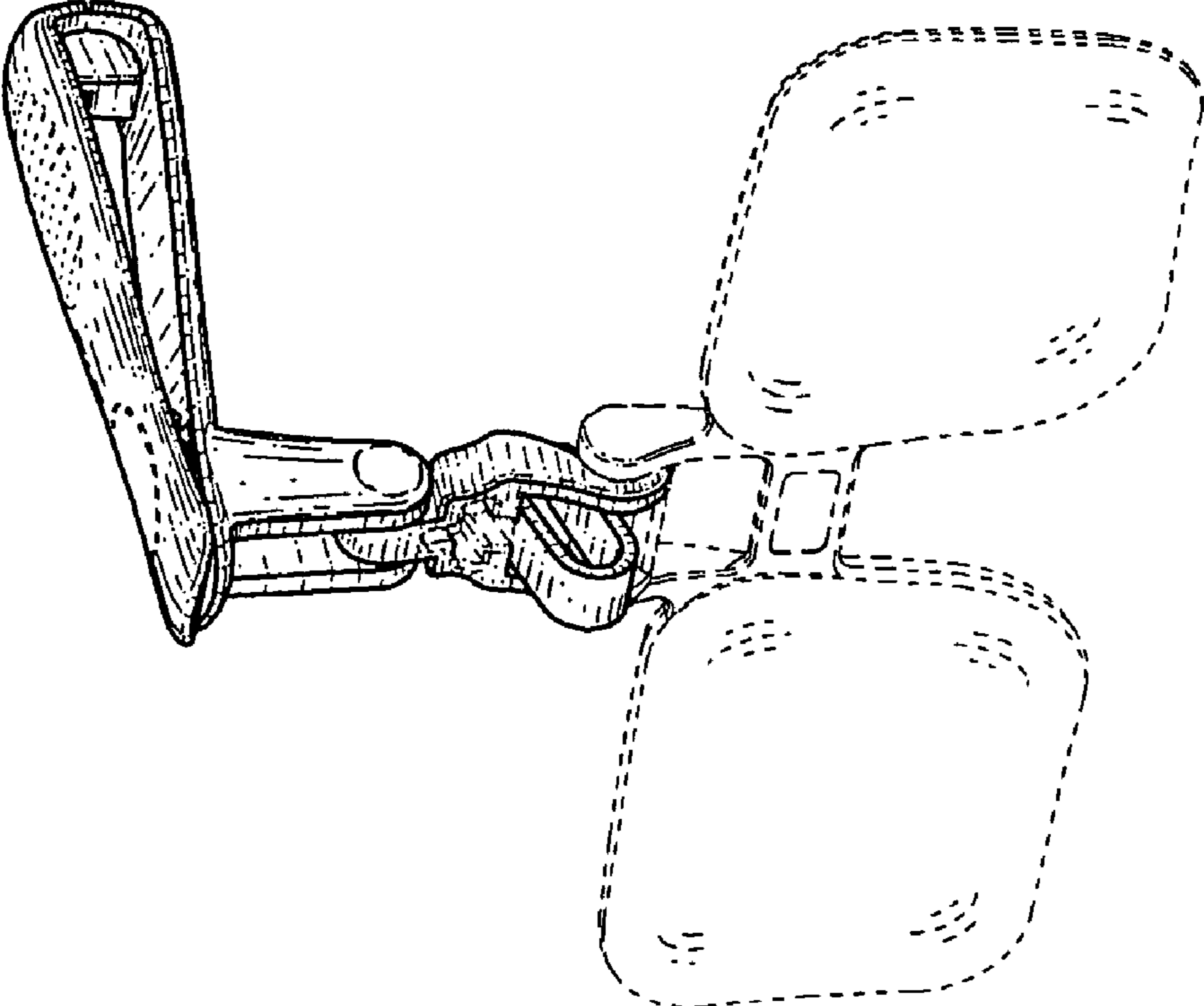


FIG. 1

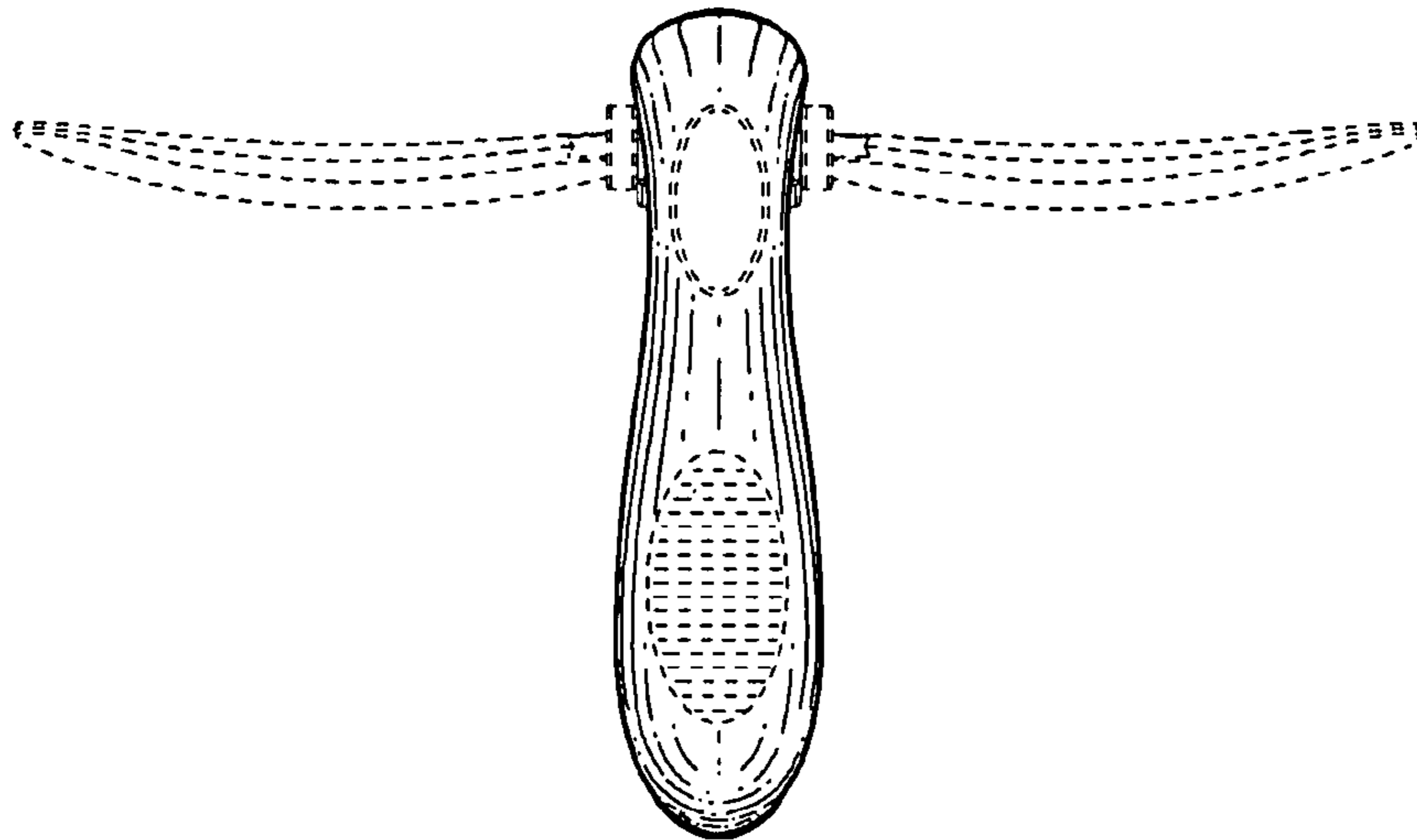


FIG. 2

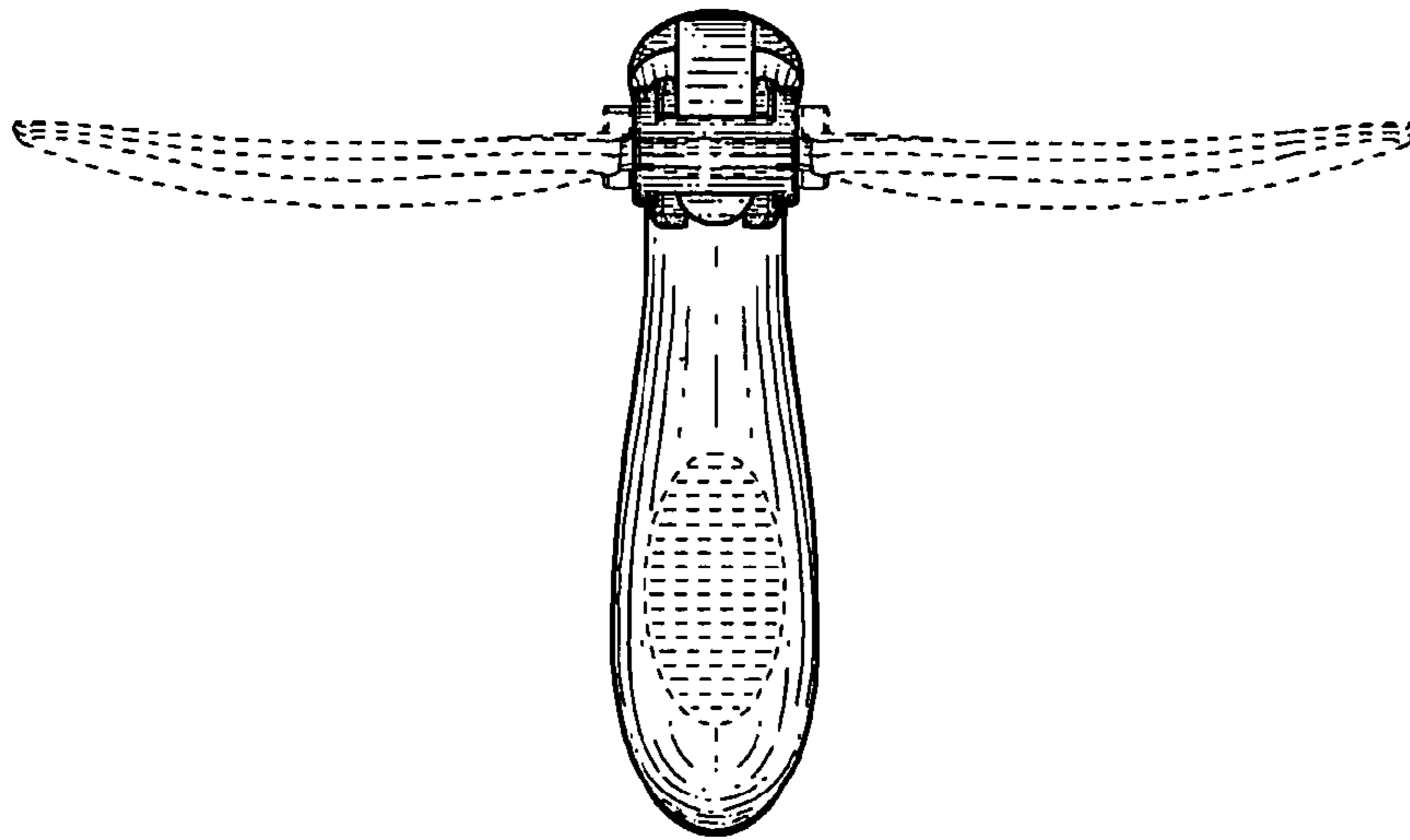


FIG. 3

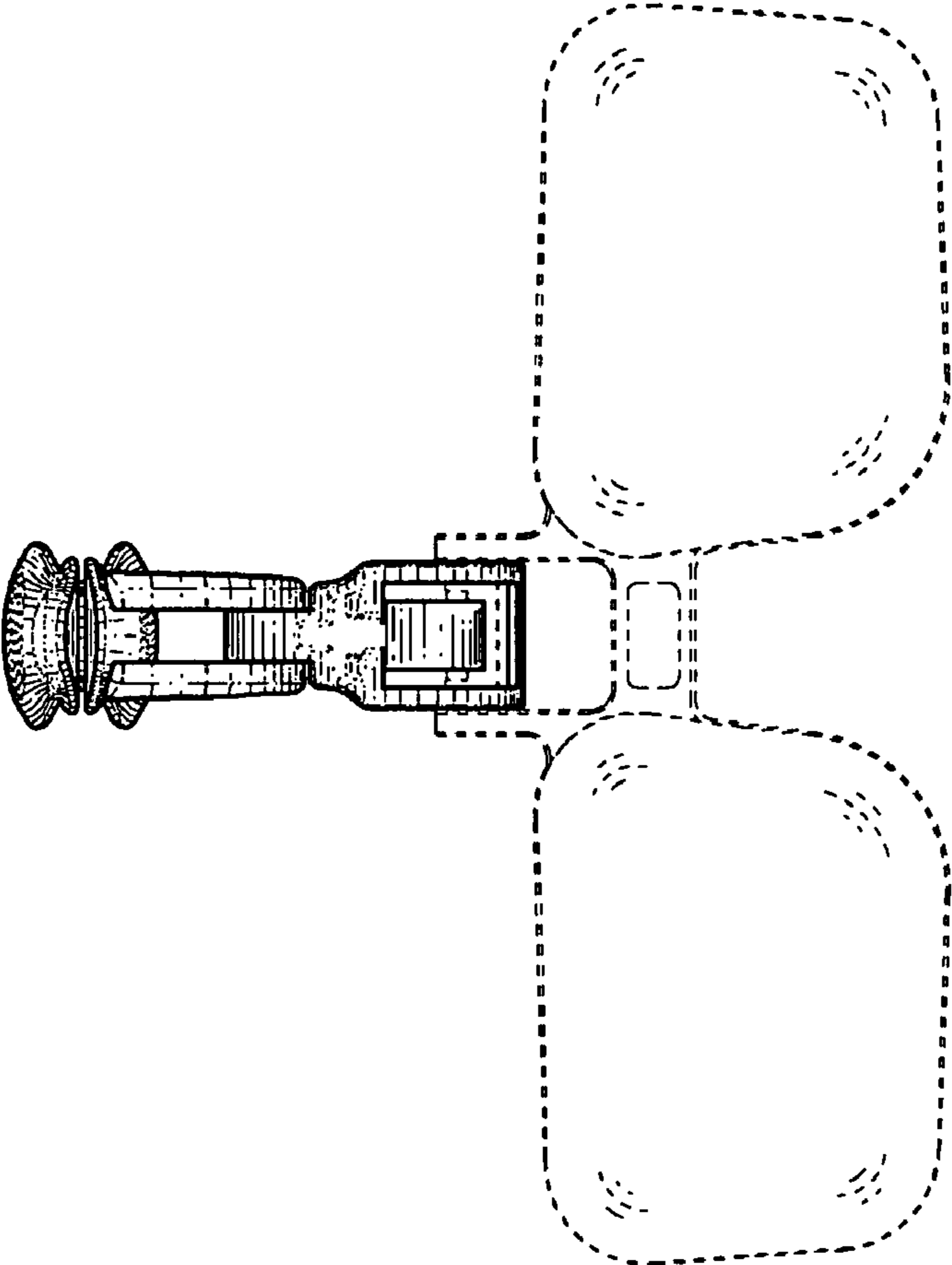


FIG. 4

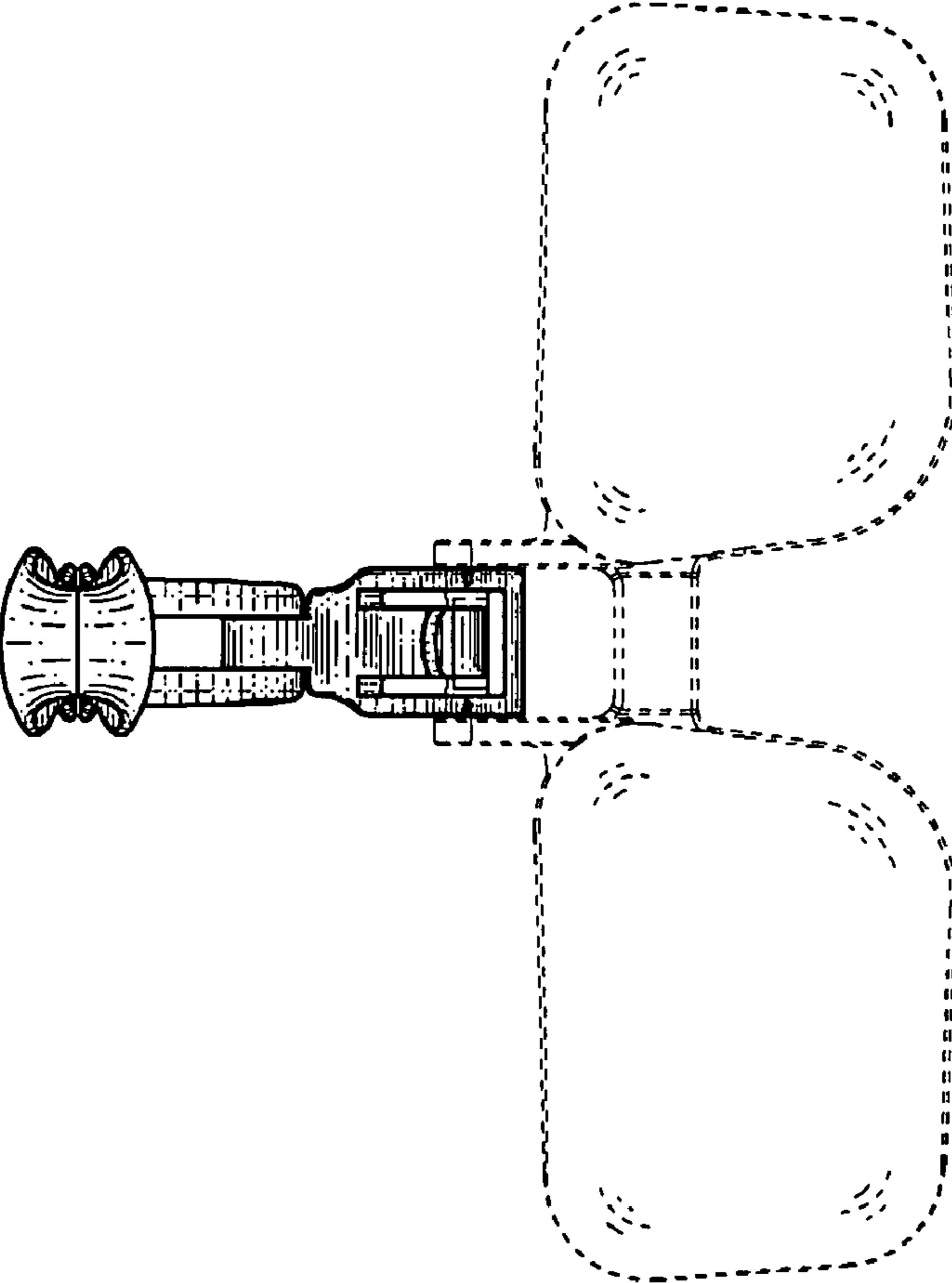


FIG. 5

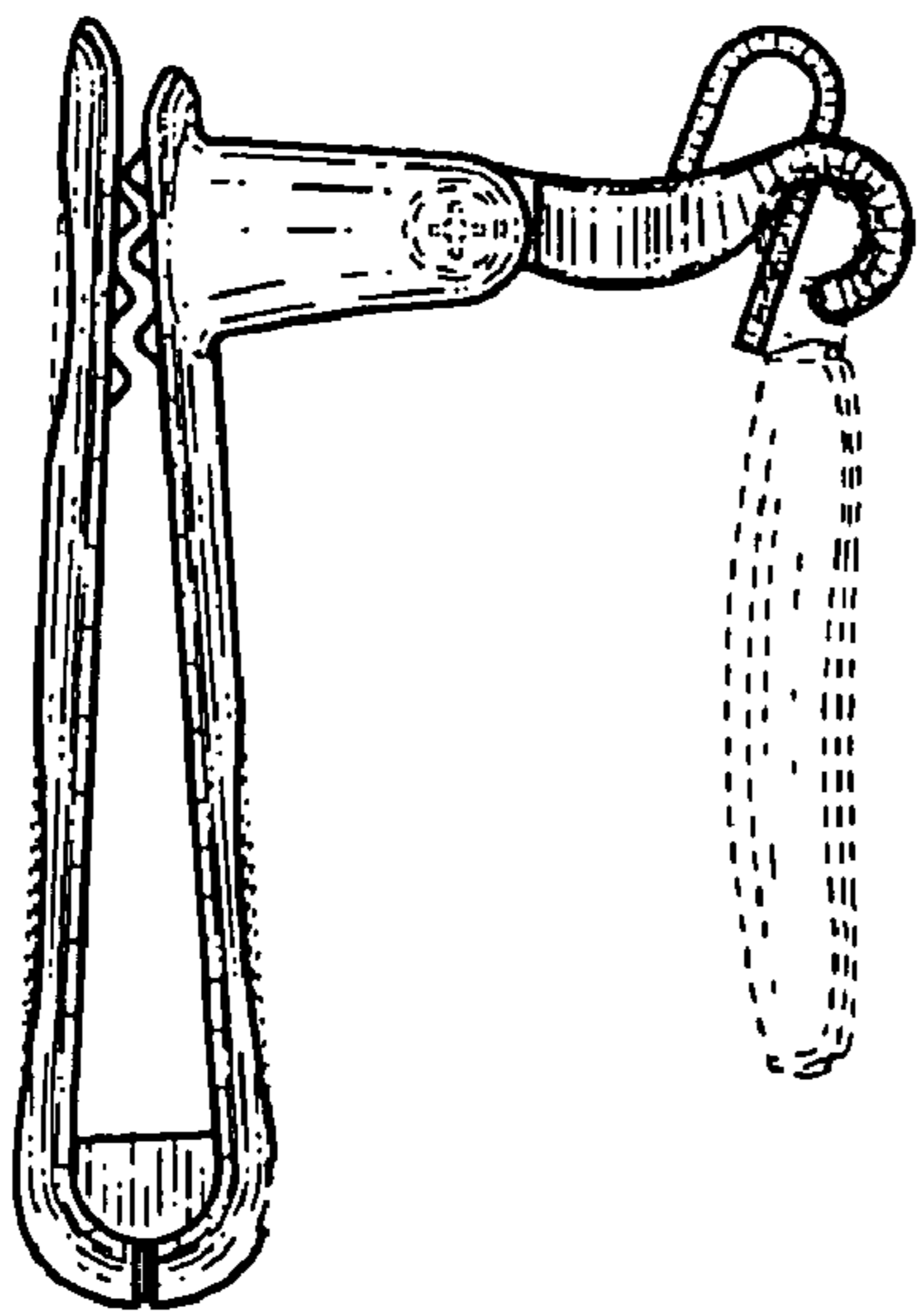


FIG. 6

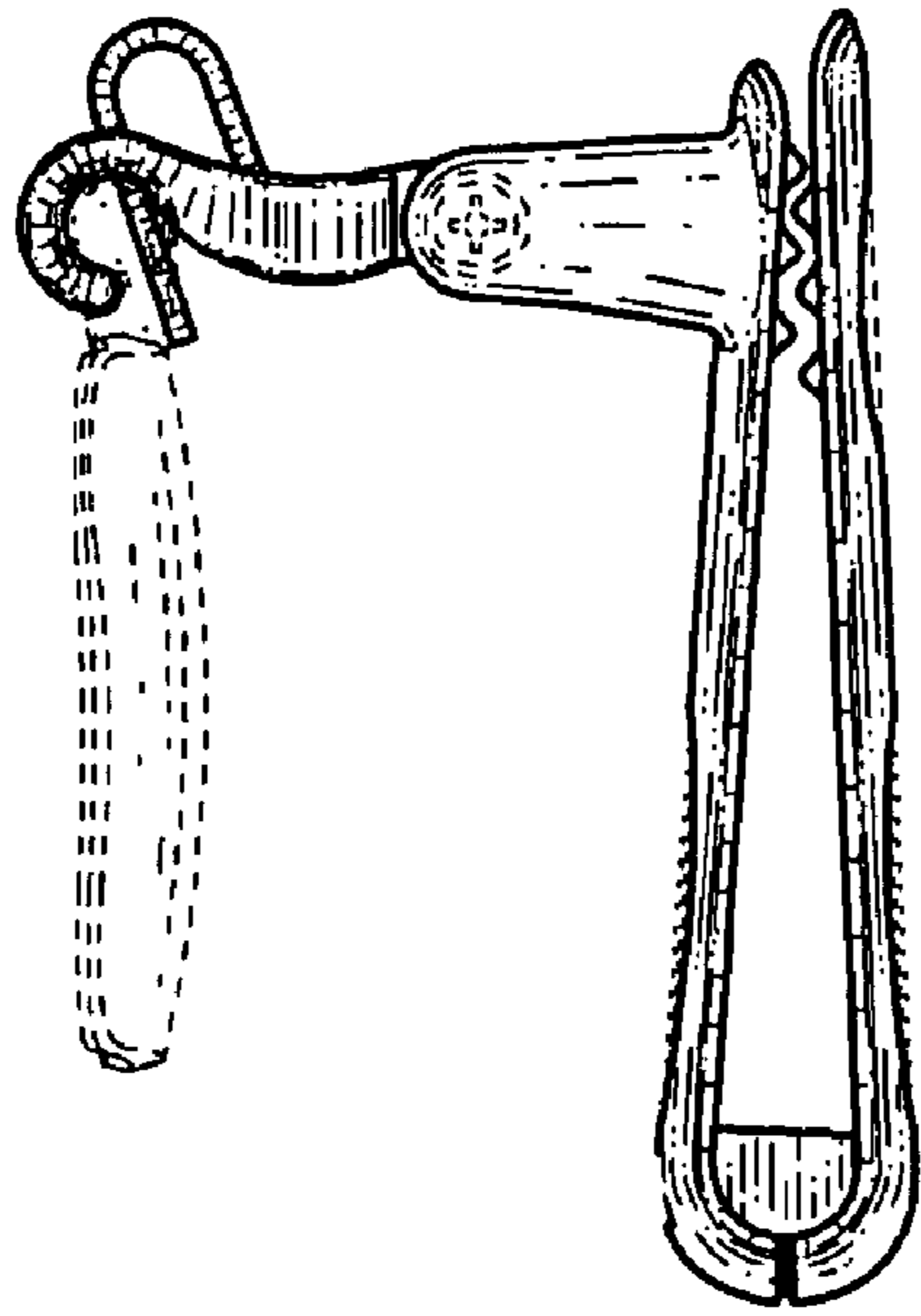


FIG. 7