



US00D553172S

(12) **United States Design Patent**
Azuma

(10) **Patent No.:** **US D553,172 S**

(45) **Date of Patent:** **** Oct. 16, 2007**

(54) **LCD PROJECTOR**

(75) Inventor: **Sadayoshi Azuma, Kadoma (JP)**

(73) Assignee: **Matsushita Electric Industrial Co., Ltd., Osaka (JP)**

(**) Term: **14 Years**

(21) Appl. No.: **29/265,485**

(22) Filed: **Sep. 1, 2006**

(30) **Foreign Application Priority Data**

May 15, 2006 (JP) 2006-012168

(51) **LOC (8) Cl.** **16-02**

(52) **U.S. Cl.** **D16/230; D16/225**

(58) **Field of Classification Search** D16/205,
D16/206, 208, 213, 221, 225, 230, 231, 234,
D16/235, 232; D21/514; 353/115, 119,
353/122, 39, 52; 352/34, 242; 349/5, 7,
349/8, 9, 58; 348/373

See application file for complete search history.

(56) **References Cited**

U.S. PATENT DOCUMENTS

D331,768 S * 12/1992 Saeki et al. D16/225
D343,849 S * 2/1994 Miyahara D16/225
D387,795 S * 12/1997 Sakamoto D16/231

D437,337 S * 2/2001 Kawasaki et al. D16/230
D449,060 S * 10/2001 Saeki et al. D16/230
D475,389 S * 6/2003 Kurokawa D16/230
6,592,226 B1 * 7/2003 Fujimori 353/119
D498,490 S * 11/2004 Kawasaki et al. D16/231
D515,126 S * 2/2006 Morishita et al. D16/230

* cited by examiner

Primary Examiner—Adir Aronovich

Assistant Examiner—Wan Laymon

(74) *Attorney, Agent, or Firm*—Brinks Hofer Gilson & Lione

(57) **CLAIM**

I claim the ornamental design for an LCD projector, as shown and described.

DESCRIPTION

FIG. 1 is a top, front and right side perspective view of an LCD projector of the present invention;

FIG. 2 is a front view thereof;

FIG. 3 is a top view thereof;

FIG. 4 is a bottom view thereof;

FIG. 5 is a rear view thereof;

FIG. 6 is a left side view thereof; and,

FIG. 7 is a right side view thereof.

1 Claim, 3 Drawing Sheets

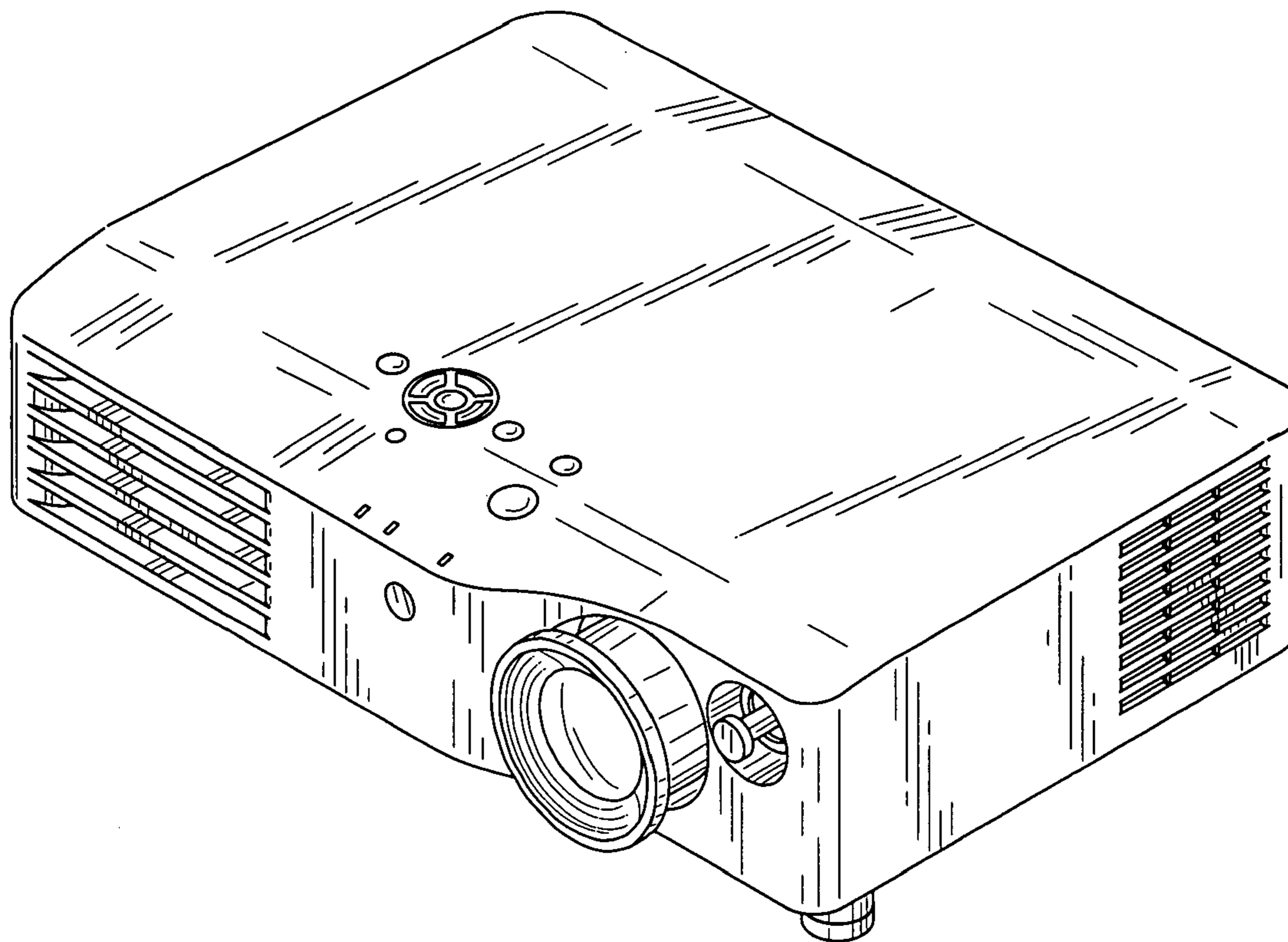


FIG.1

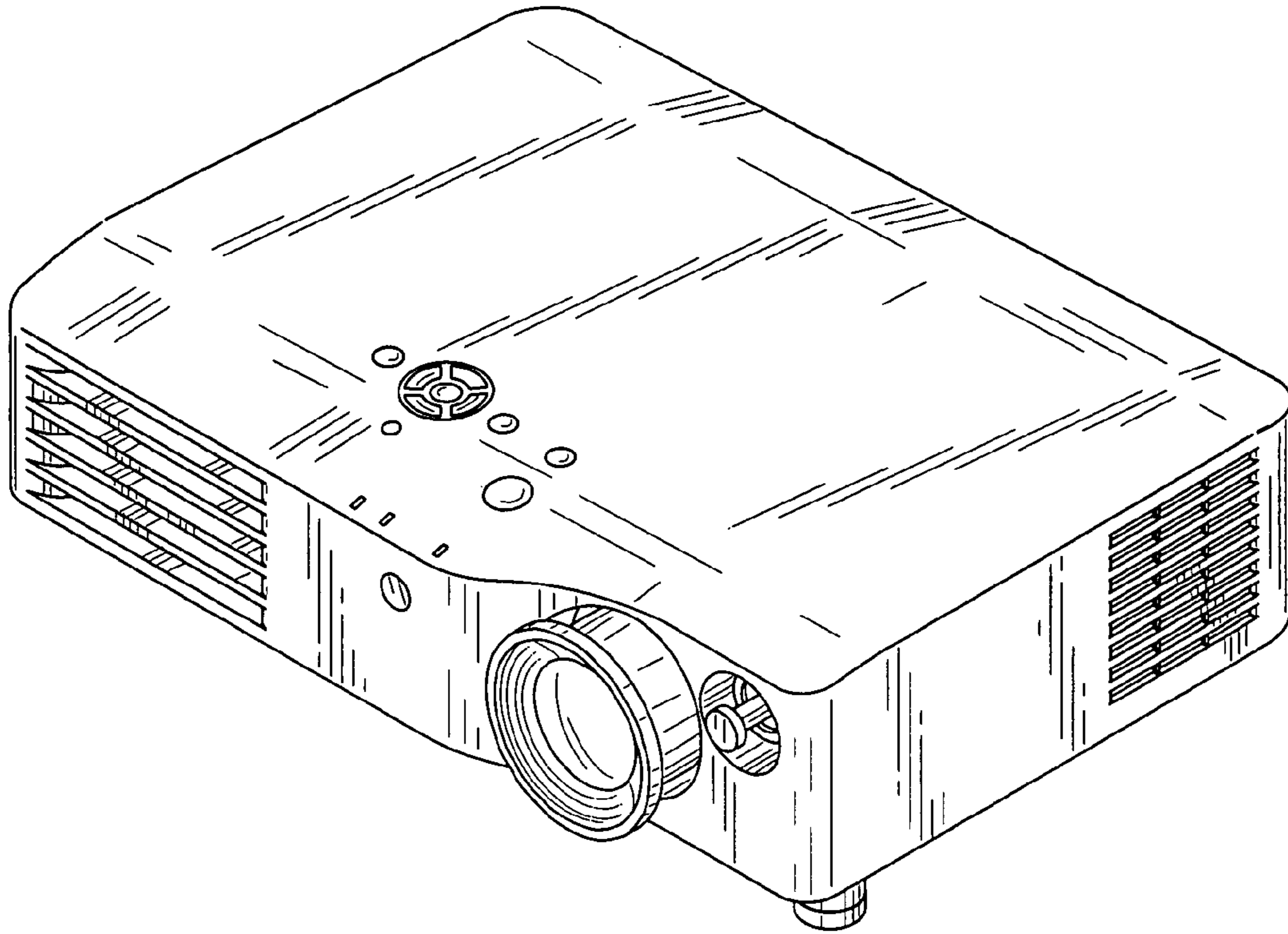


FIG.2

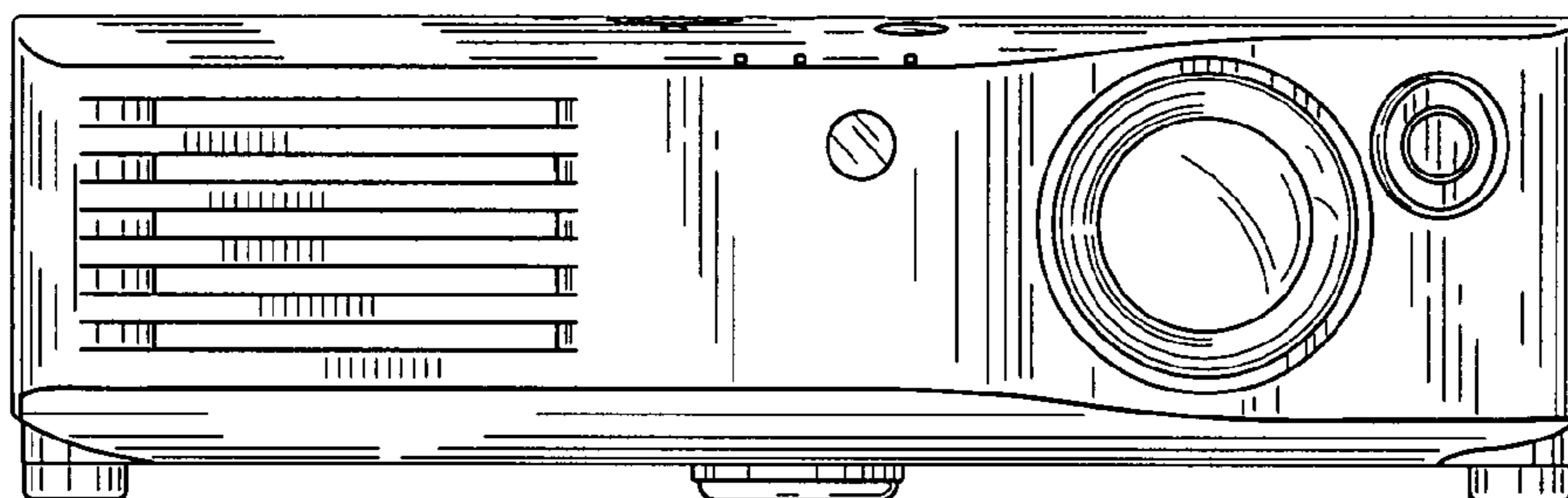


FIG.3

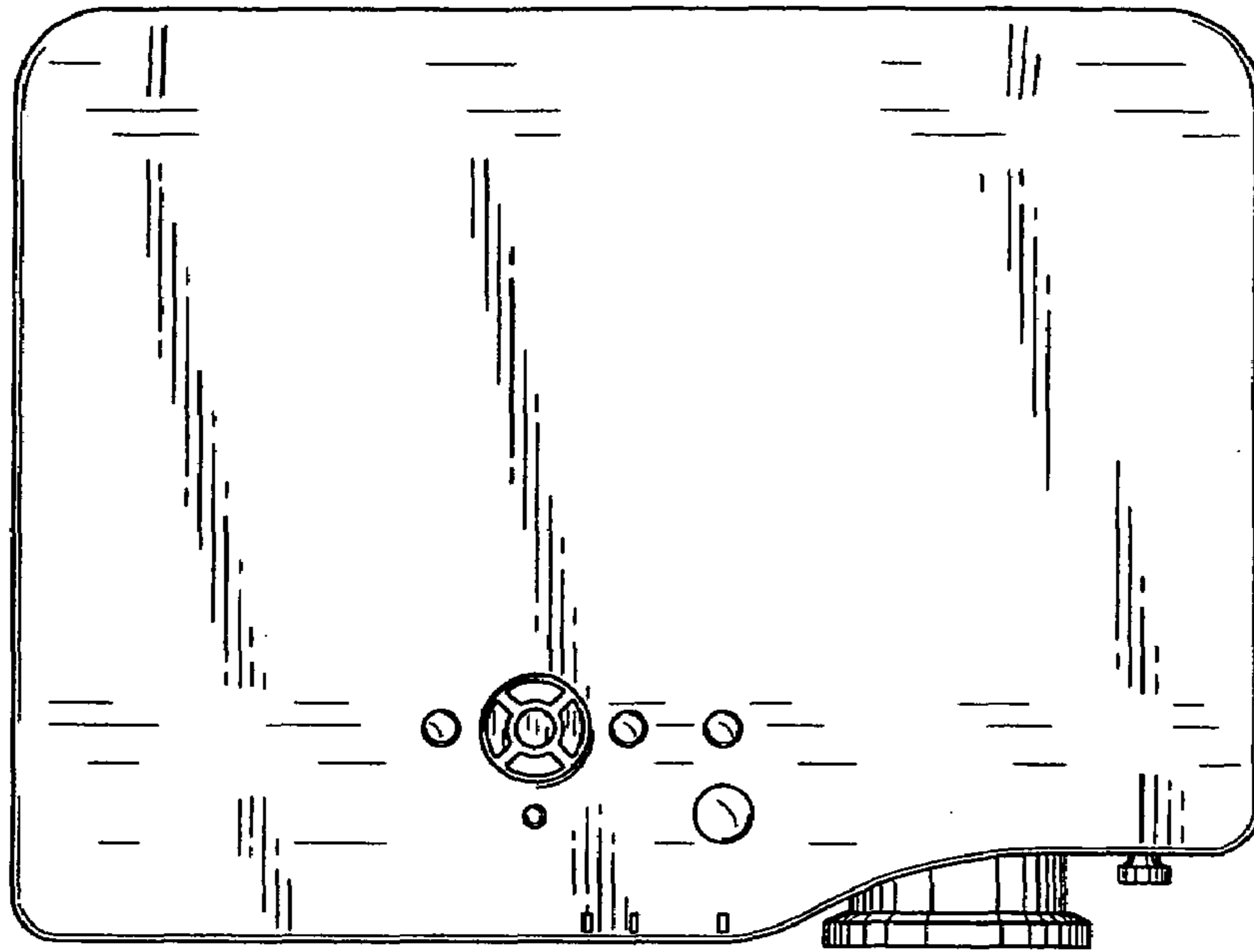


FIG.4

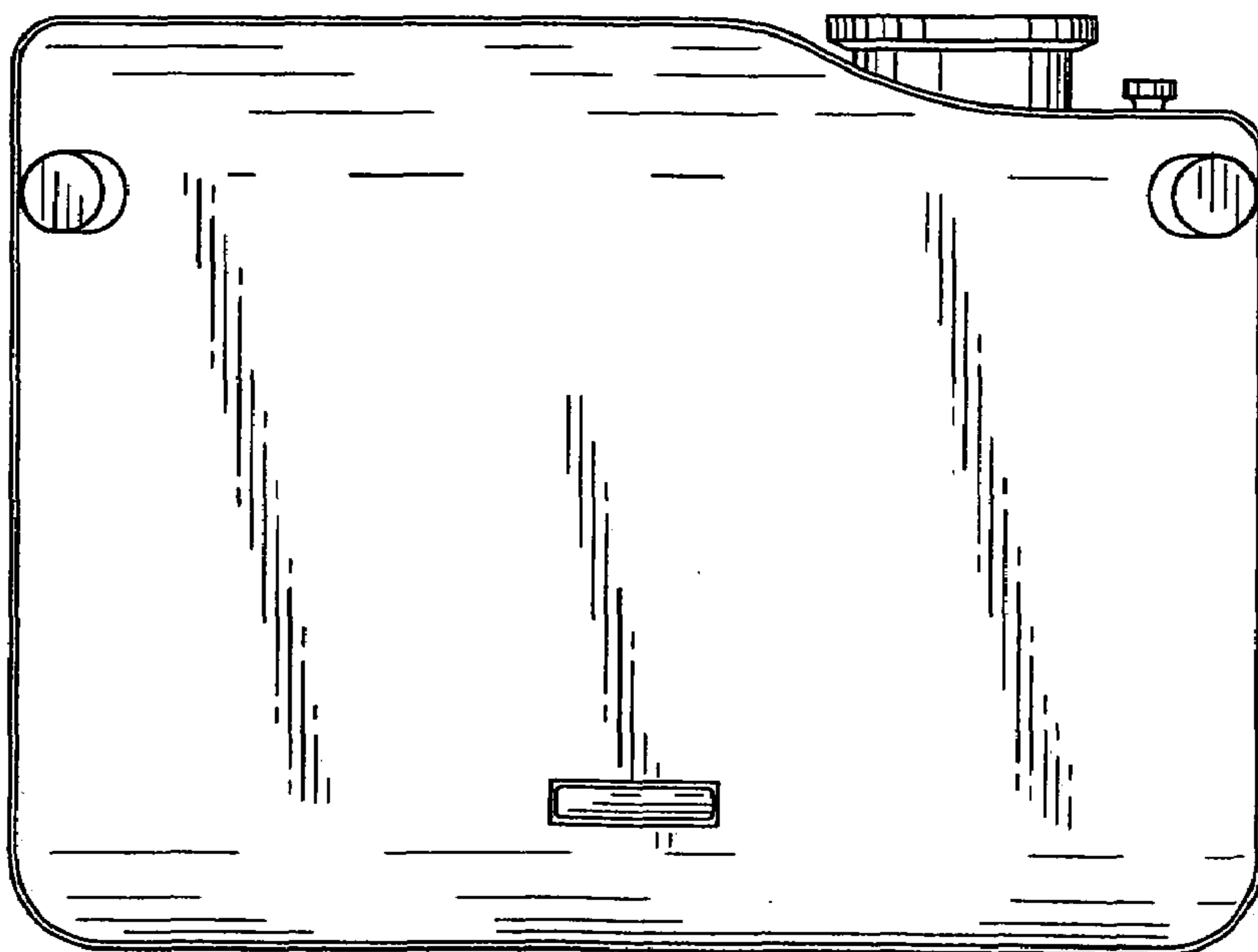


FIG.5

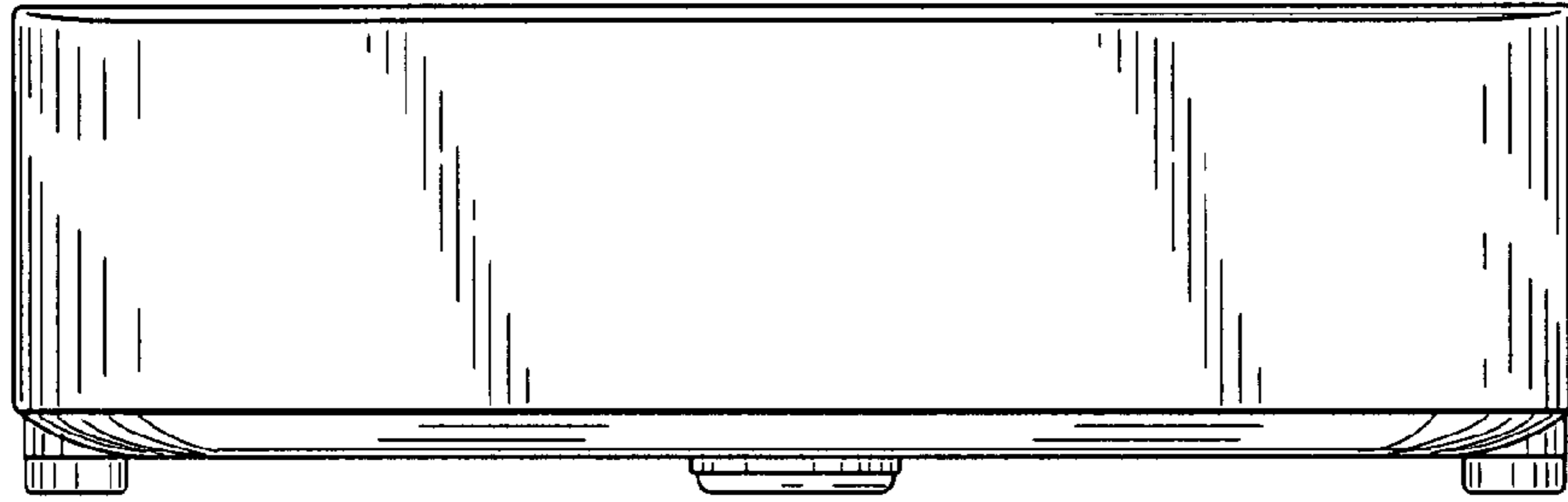


FIG.6

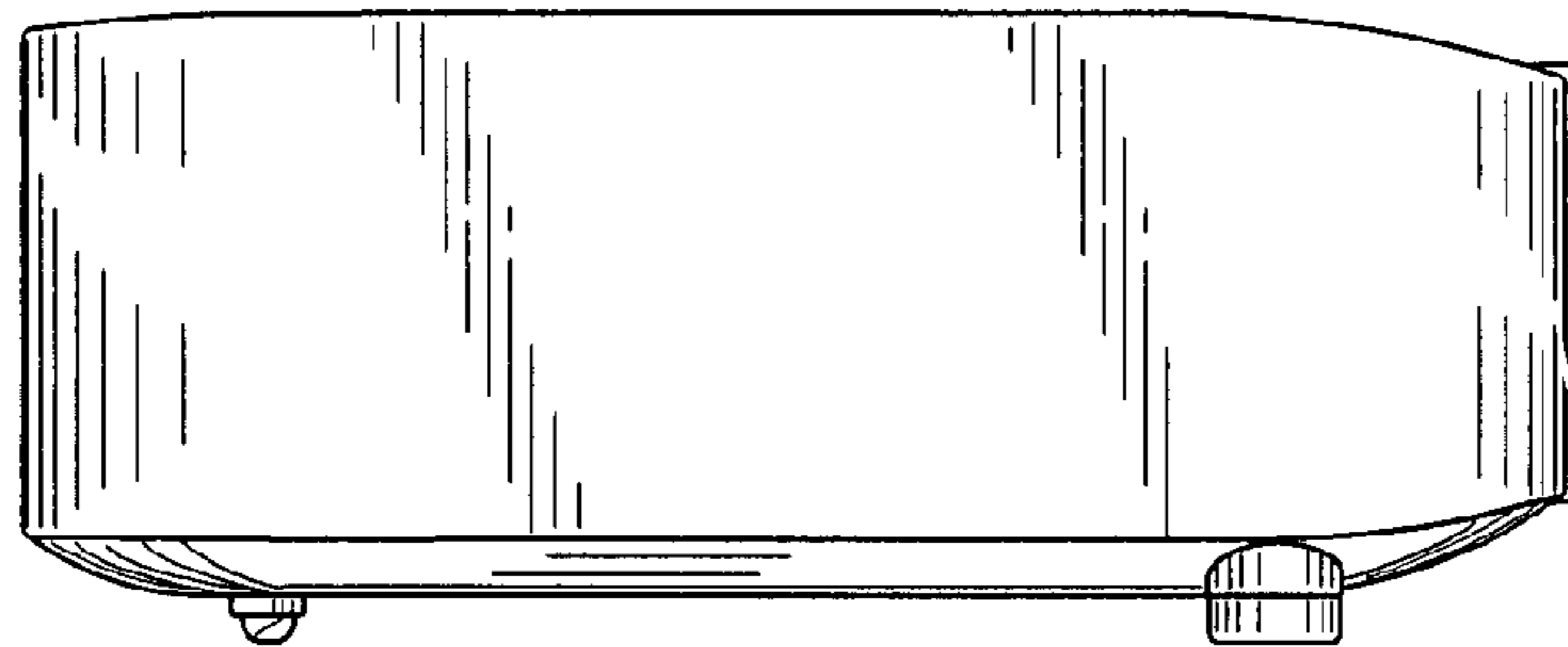


FIG.7

