



US00D553171S

(12) **United States Design Patent** (10) **Patent No.:** **US D553,171 S**
Martres et al. (45) **Date of Patent:** **** Oct. 16, 2007**

(54) **DIGITAL CAMERA**
(75) Inventors: **Eduardo Martres**, Fort Collins, CO
(US); **Fred O. Stephens**, Loveland, CO
(US)

(73) Assignee: **Hewlett-Packard Development
Company, L.P.**, Houston, TX (US)

(**) Term: **14 Years**

(21) Appl. No.: **29/223,295**

(22) Filed: **Feb. 11, 2005**

(51) **LOC (8) Cl.** **16-05**

(52) **U.S. Cl.** **D16/219; D16/200; D16/208**

(58) **Field of Classification Search** D16/200-205,
D16/208, 209, 218; 348/373-376; 358/906,
358/909.1; 396/535-541

See application file for complete search history.

(56) **References Cited**

U.S. PATENT DOCUMENTS

D388,449 S *	12/1997	Ohi et al.	D16/202
D410,482 S *	6/1999	Kawai	D16/218
D430,183 S *	8/2000	Ito	D16/202
D462,705 S *	9/2002	Hamamura	D16/202
D475,073 S *	5/2003	Omino	D16/202
D495,727 S *	9/2004	Dow et al.	D16/202

D499,128 S *	11/2004	Martres et al.	D16/218
D503,417 S *	3/2005	Kawase	D16/202
D505,967 S *	6/2005	Ko et al.	D16/218
2005/0012852 A1 *	1/2005	Gann et al.	348/373

* cited by examiner

Primary Examiner—Ian Simmons
Assistant Examiner—Wan Laymon

(57) **CLAIM**

The ornamental design for a digital camera, as shown and described.

DESCRIPTION

FIG. 1 is a rear isometric view of a digital camera showing our new design;

FIG. 2 is a rear elevational view thereof;

FIG. 3 is a top plan view thereof;

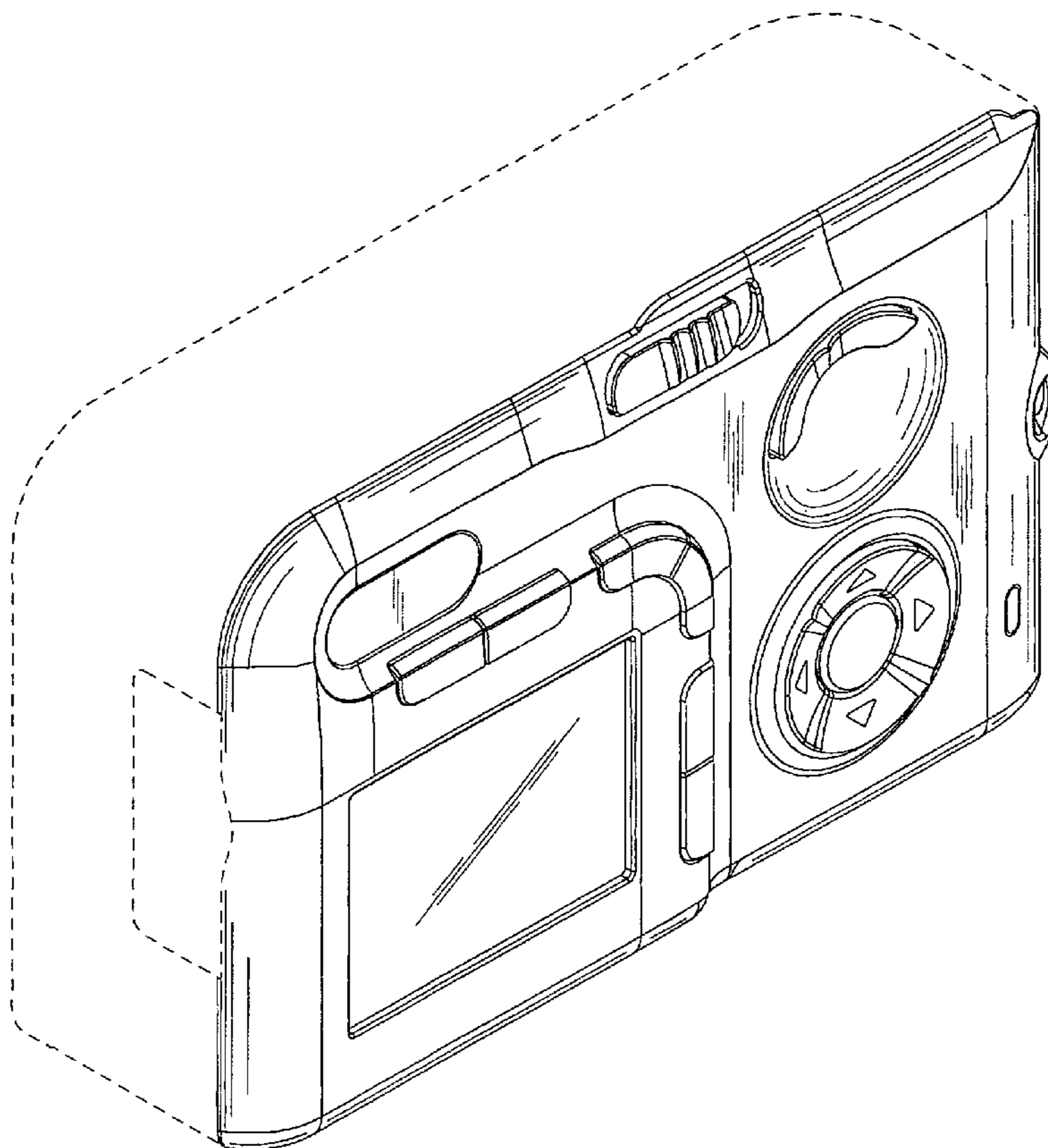
FIG. 4 is a bottom plan view thereof;

FIG. 5 is a left side elevational view thereof; and,

FIG. 6 is a right side elevational view thereof.

The broken lines showing the digital camera are included for the purpose of illustrating environmental structure and form no part of the claimed design.

1 Claim, 5 Drawing Sheets



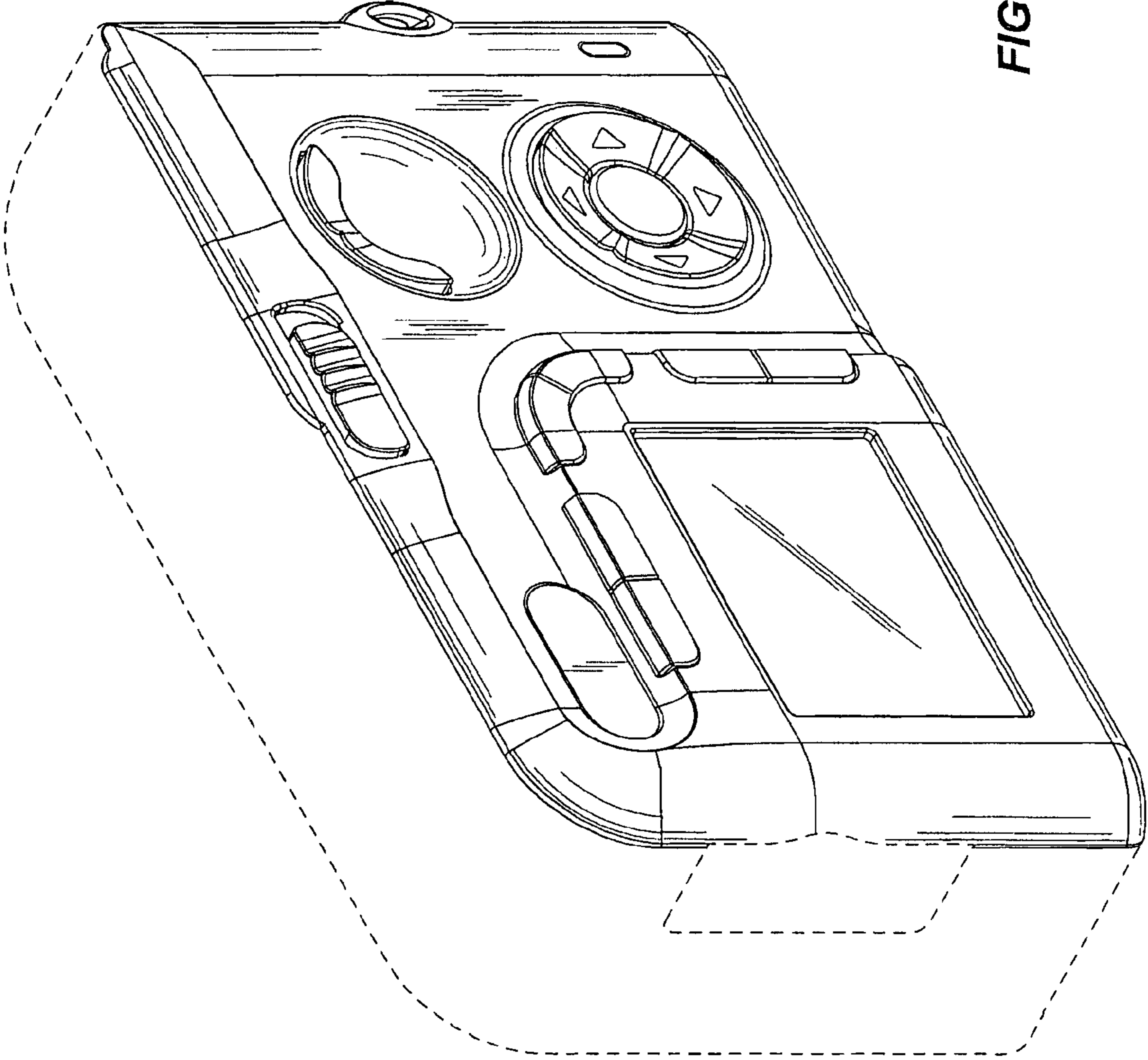


FIG. 1

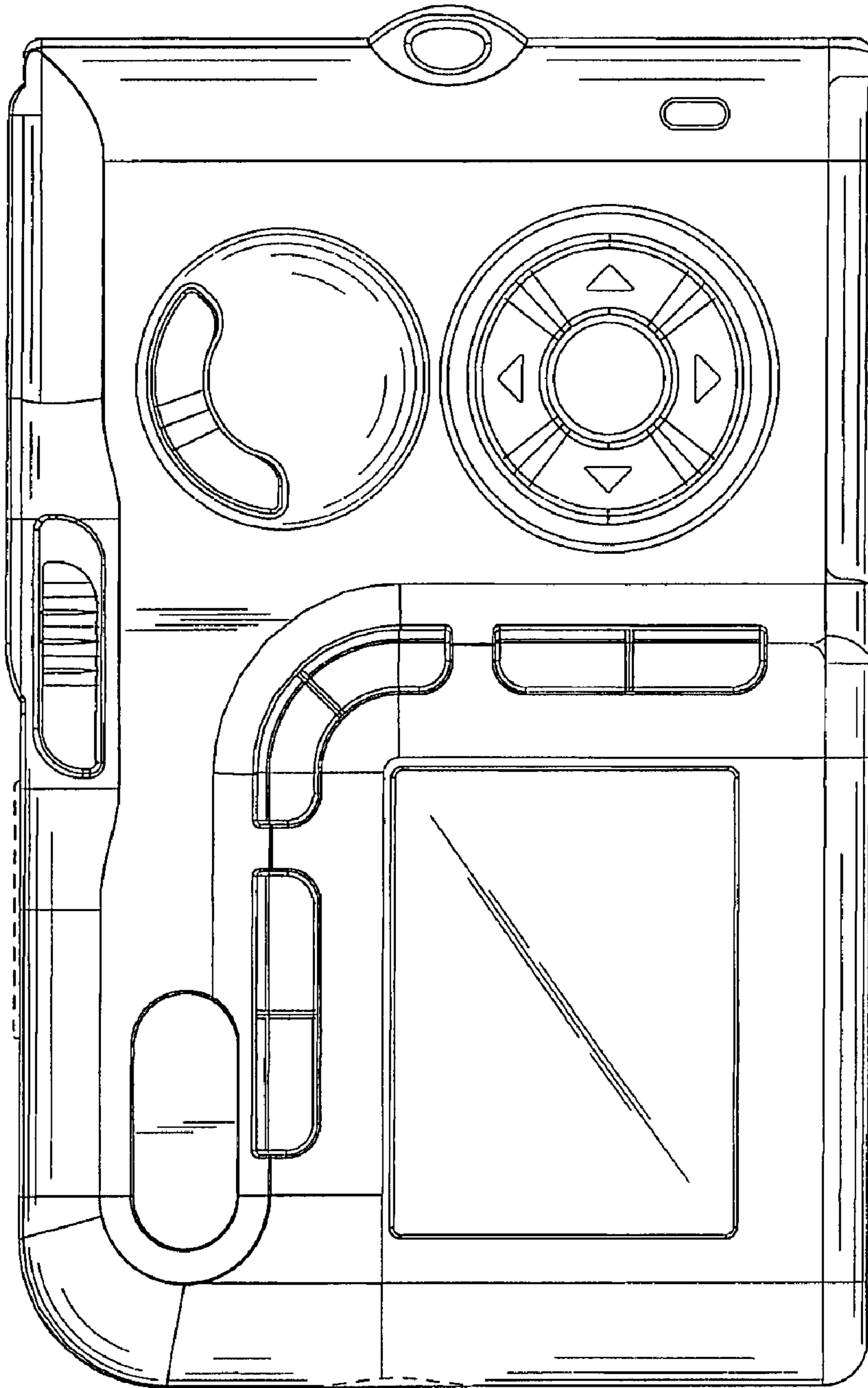


FIG. 2

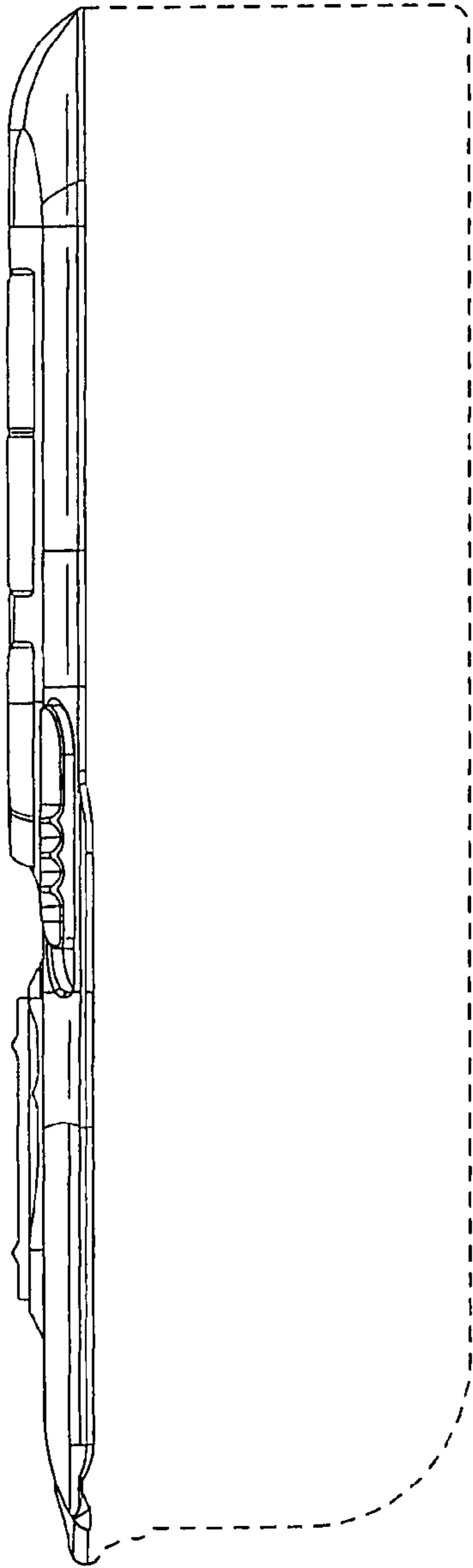


FIG. 3

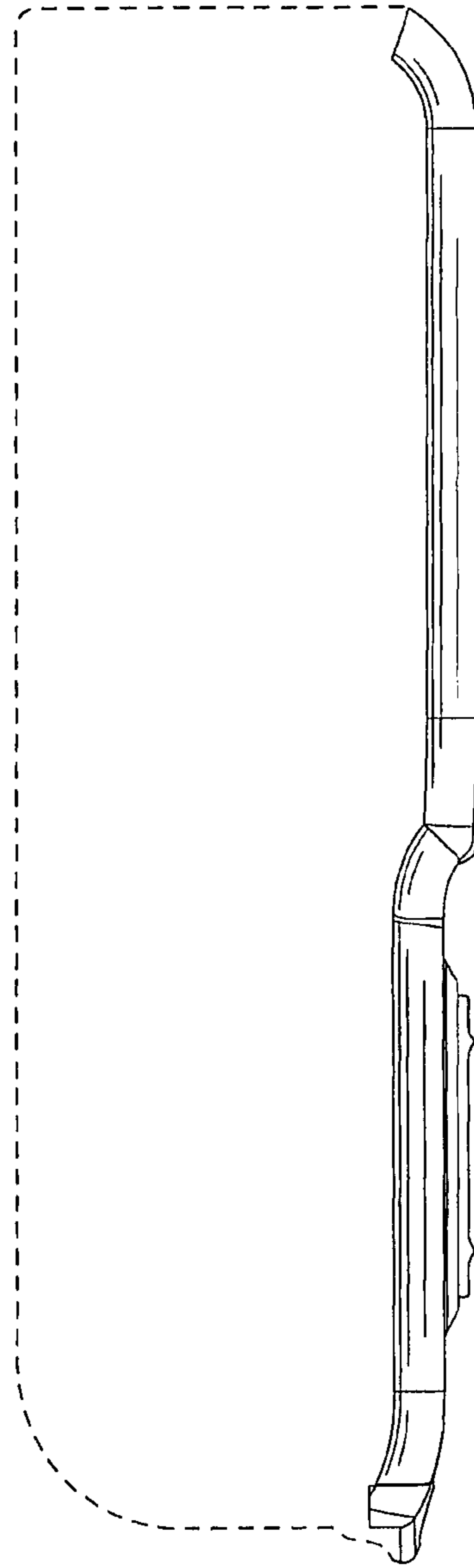


FIG. 4

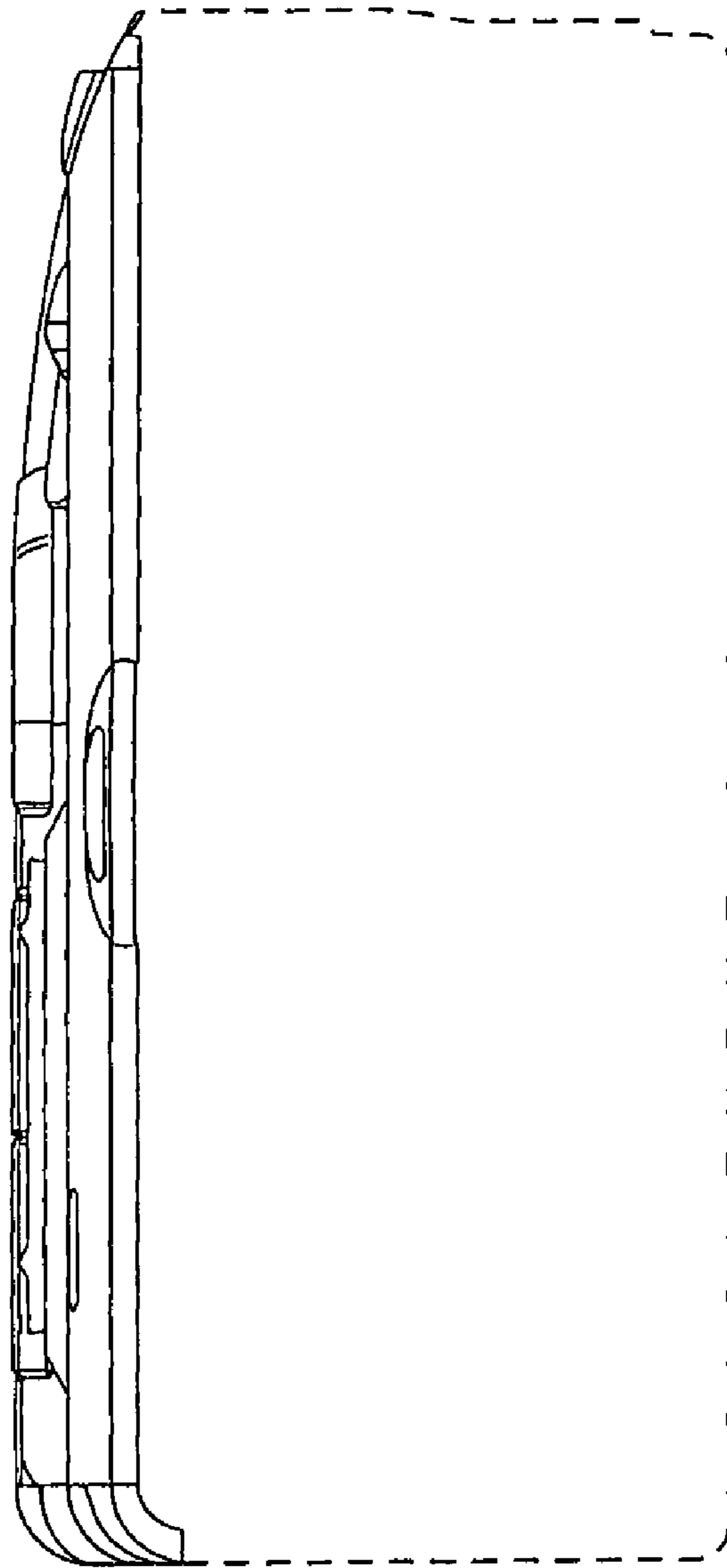


FIG. 5

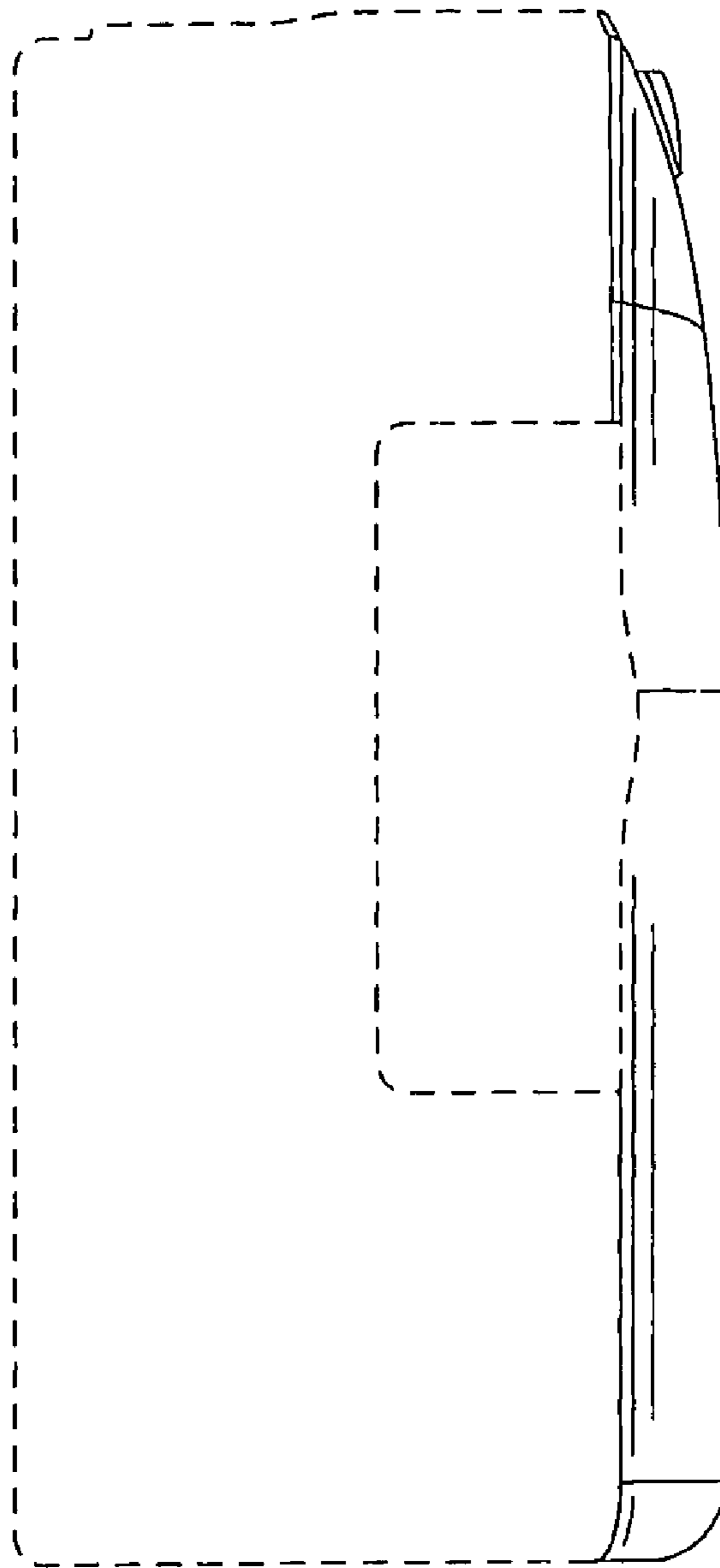


FIG. 6