



US00D553170S

(12) **United States Design Patent**
Remsburg et al.

(10) **Patent No.:** **US D553,170 S**

(45) **Date of Patent:** **** Oct. 16, 2007**

(54) **COLD PLATE HEAT SINK**

(75) Inventors: **Ralph Remsburg**, San Diego, CA
(US); **Matthew A. Reeves**, Oceanside,
CA (US)

(73) Assignee: **Amulaire Thermal Technology, Inc.**,
San Diego, CA (US)

(**) Term: **14 Years**

(21) Appl. No.: **29/272,529**

(22) Filed: **Feb. 9, 2007**

(51) **LOC (8) Cl.** **15-99**

(52) **U.S. Cl.** **D15/199**

(58) **Field of Classification Search** D15/199;
165/80.4, 104.33, 109.1; 361/687, 688, 701-704,
361/709, 712, 714, 727

See application file for complete search history.

(56) **References Cited**

U.S. PATENT DOCUMENTS

4,998,181	A *	3/1991	Haws et al.	361/702
5,014,117	A *	5/1991	Horvath et al.	361/704
5,079,619	A *	1/1992	Davidson	361/701
5,930,135	A *	7/1999	Janko	165/104.33

6,253,835	B1 *	7/2001	Chu et al.	165/104.33
6,687,126	B2 *	2/2004	Patel et al.	361/702
6,829,145	B1 *	12/2004	Corrado et al.	361/704
7,147,041	B2 *	12/2006	Mitchell et al.	165/80.3
2003/0230400	A1 *	12/2003	McCordic et al.	165/104.33
2005/0011635	A1 *	1/2005	Liu et al.	165/109.1
2005/0082037	A1 *	4/2005	Thayer et al.	165/80.4
2006/0056156	A1 *	3/2006	Long et al.	361/704
2006/0185823	A1 *	8/2006	Thayer et al.	165/80.4

* cited by examiner

Primary Examiner—Antoine D. Davis

Assistant Examiner—Patricia Palasik

(57) **CLAIM**

The ornamental design for a cold plate heat sink, as shown.

DESCRIPTION

FIG. 1 is a front, top, and right side perspective view of a cold plate heat sink showing our new design;

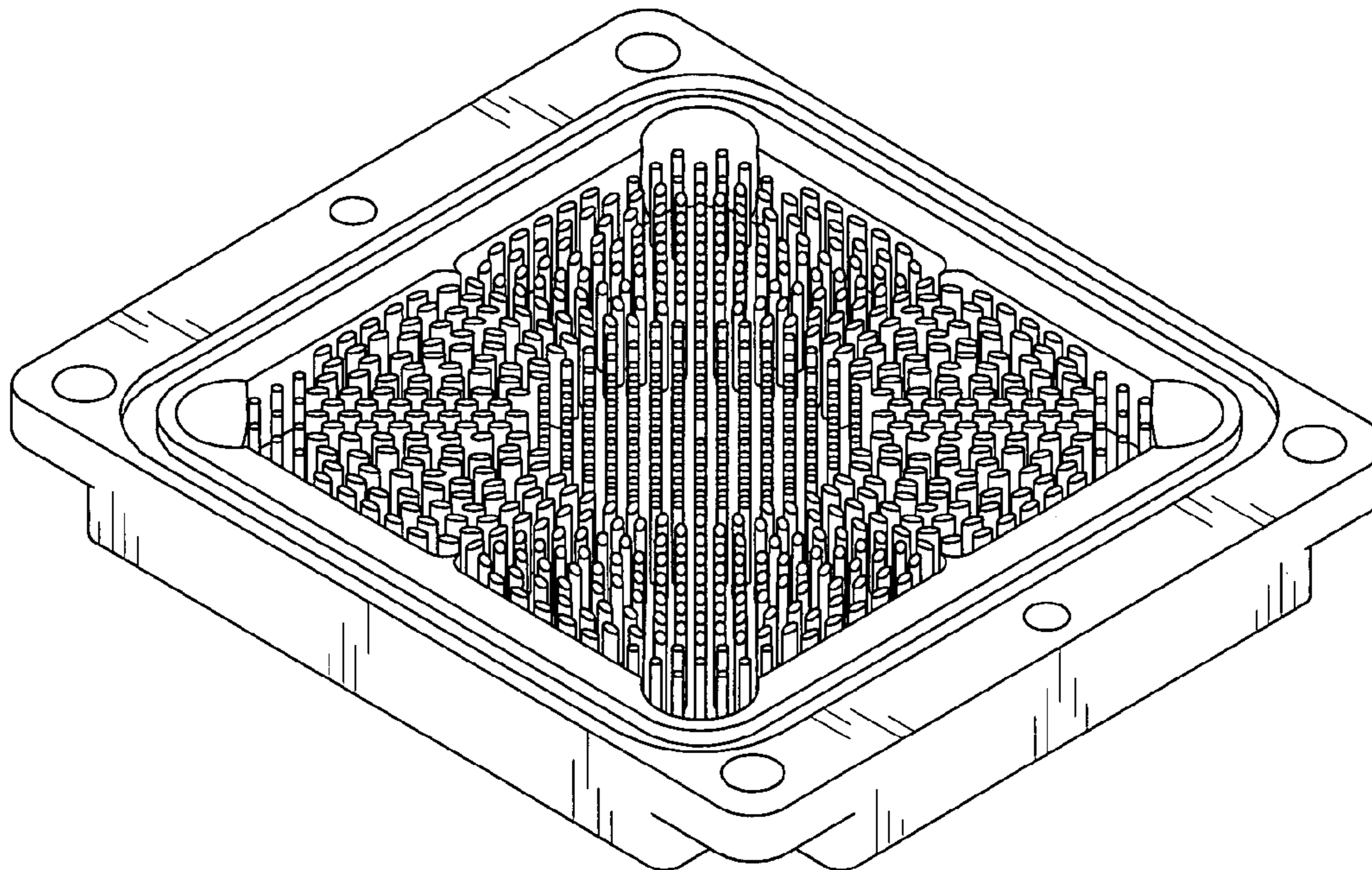
FIG. 2 is a top plan view thereof;

FIG. 3 is right side elevational view thereof;

FIG. 4 is a left side elevational view thereof; and,

FIG. 5 is a bottom plan view thereof.

1 Claim, 5 Drawing Sheets



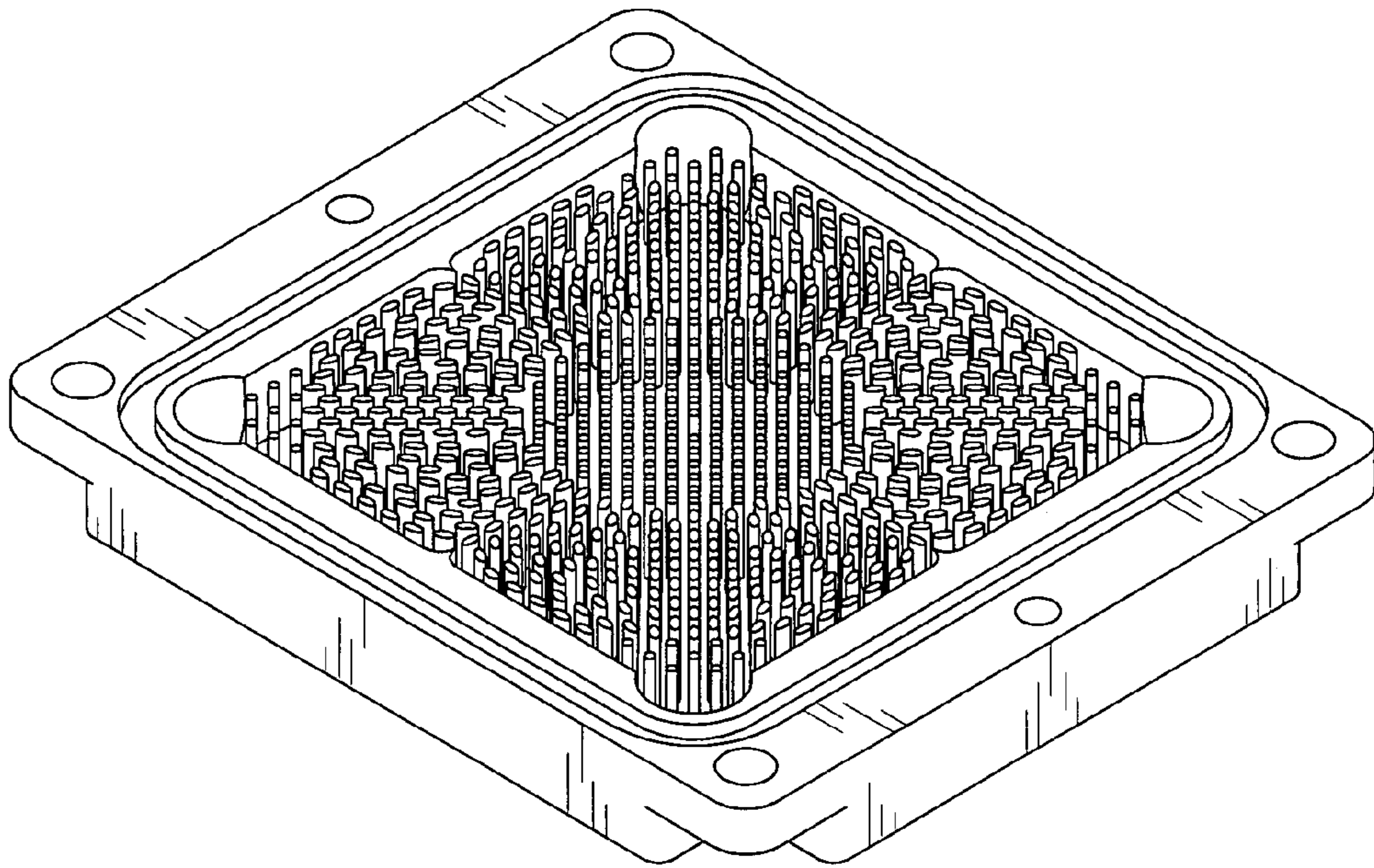


FIG. 1

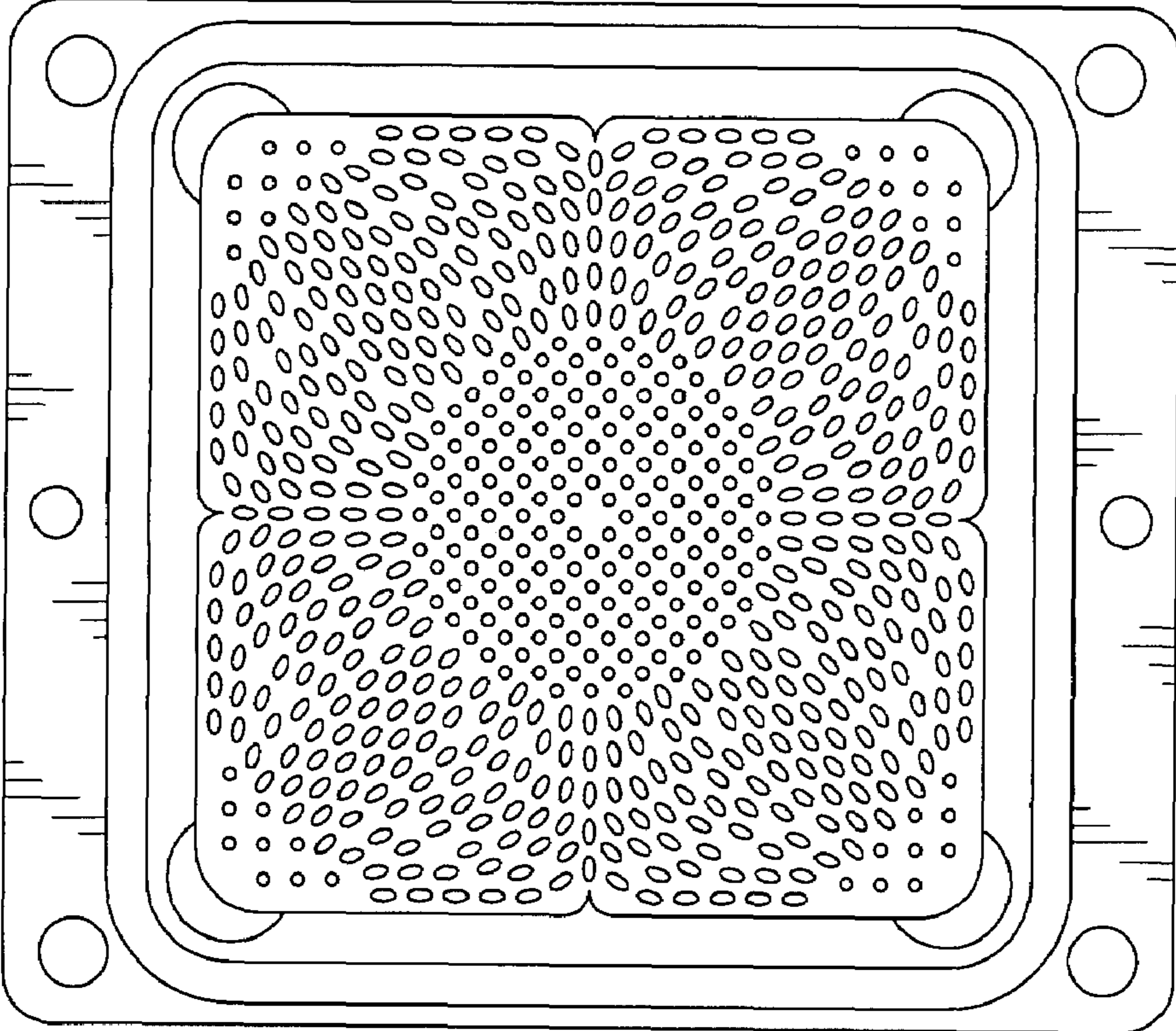


FIG. 2

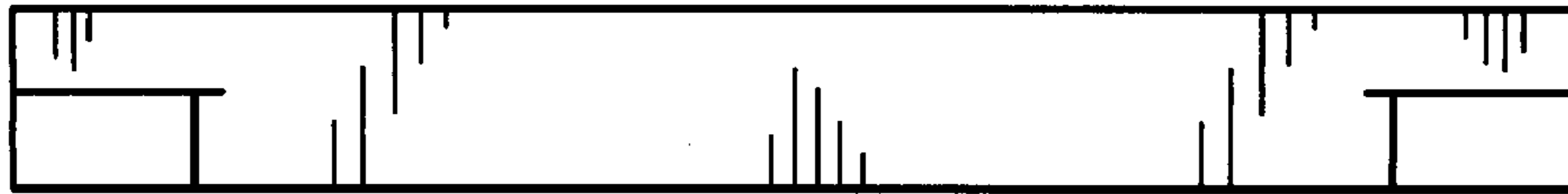


FIG. 3

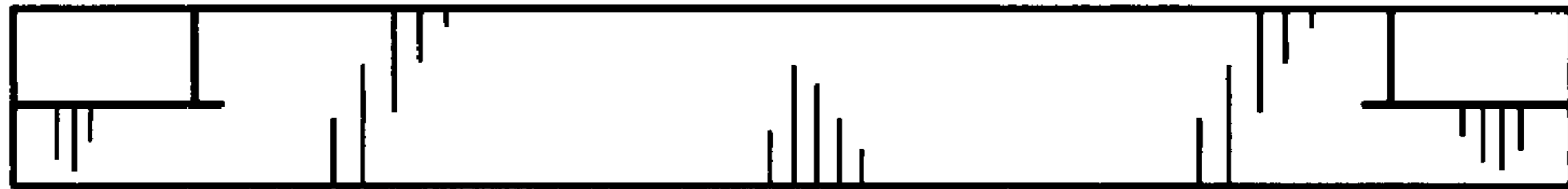


FIG. 4

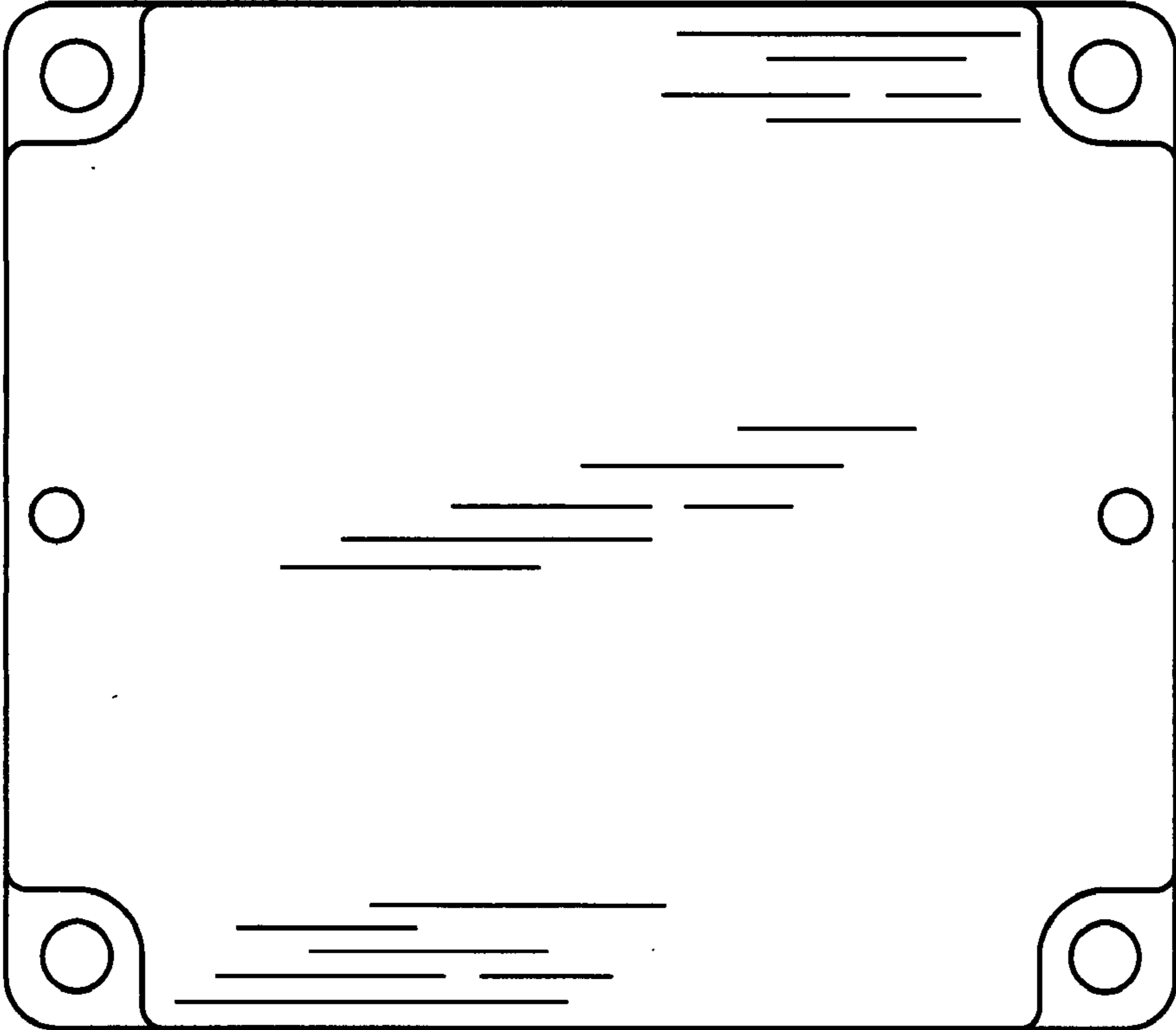


FIG. 5