



US00D553168S

(12) **United States Design Patent** (10) **Patent No.:** **US D553,168 S**
Busalt et al. (45) **Date of Patent:** **** Oct. 16, 2007**

(54) **REFRIGERATOR**

(75) Inventors: **Gerhard Busalt**, Altenmarkt/Alz (DE);
Joachim Gruetzke, New Bern, NC
 (US); **Daniel Lentz**, Blacksburg, VA
 (US); **Matthew Ricket**, New Bern, NC
 (US)

(73) Assignee: **BSH Home Appliances Corporation**,
 Huntington Beach, CA (US)

(**) Term: **14 Years**

(21) Appl. No.: **29/272,402**

(22) Filed: **Feb. 6, 2007**

(51) **LOC (8) Cl.** **15-07**

(52) **U.S. Cl.** **D15/91**

(58) **Field of Classification Search** D15/79,
 D15/81, 85, 87, 88, 89, 91; D7/405, 605;
 62/3.1, 3.6, 3.63, 3.64, 45.1, 293, 331, 371,
 62/440, 467, 529, 531; 312/236, 352, 400-408;
 348/585

See application file for complete search history.

(56) **References Cited**

U.S. PATENT DOCUMENTS

4,463,348 A * 7/1984 Sidebottom 340/585
 D431,577 S * 10/2000 Jackovin D15/85

D474,211 S * 5/2003 Jones et al. D15/91
 D495,719 S * 9/2004 Kirchner et al. D15/86
 D518,077 S * 3/2006 Lee et al. D15/91
 D533,884 S * 12/2006 Kim et al. D15/85
 D535,669 S * 1/2007 Seum et al. D15/91

* cited by examiner

Primary Examiner—Stella Reid

Assistant Examiner—Shanda C. Hill

(74) *Attorney, Agent, or Firm*—Russell W. Warnock; Craig
 J. Loest; James E. Howard

(57) **CLAIM**

The ornamental design for a refrigerator, as shown and
 described.

DESCRIPTION

FIG. 1 is a perspective view of a refrigerator showing our
 ornamental design;

FIG. 2 is a front view of FIG. 1;

FIG. 3 is an enlarged partial view taken from FIG. 2;

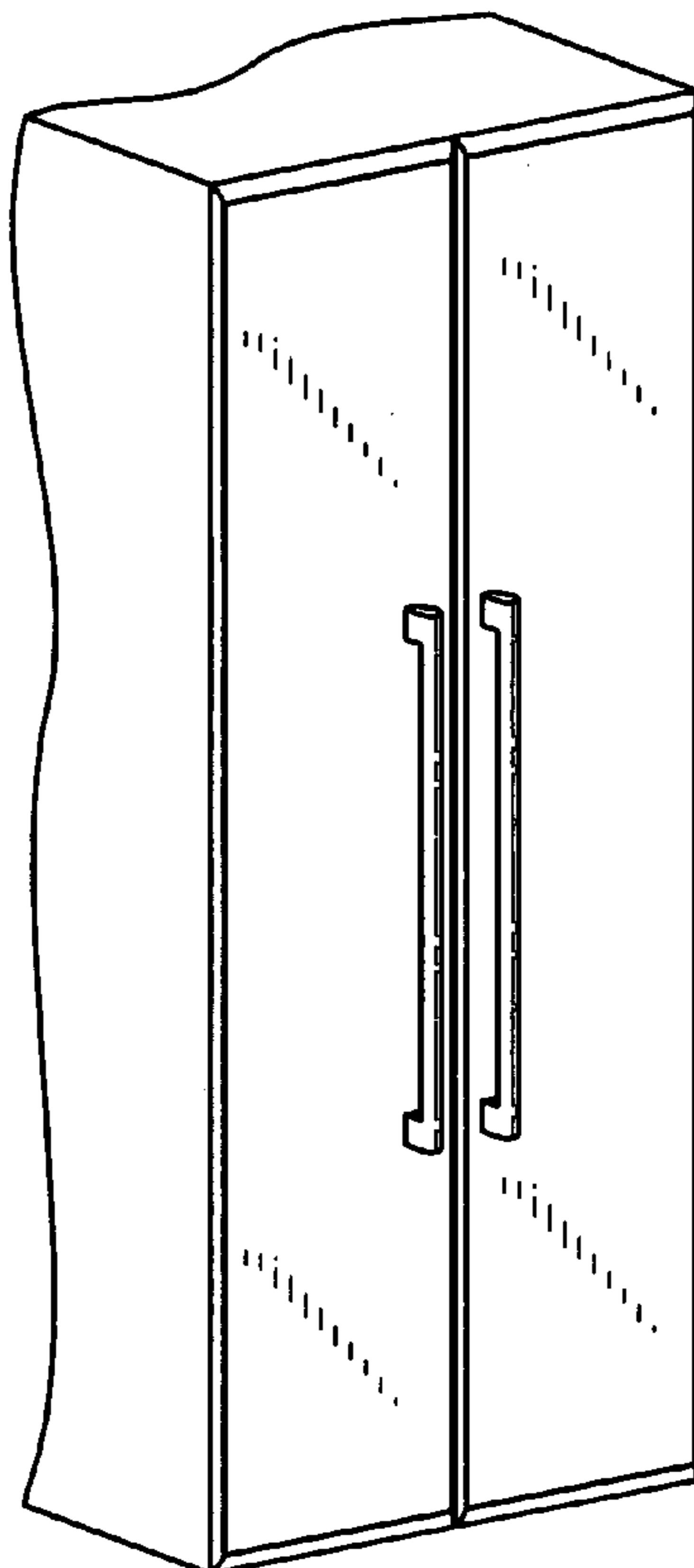
FIG. 4 is a right view of FIG. 1;

FIG. 5 is a left view of FIG. 1;

FIG. 6 is a top view of FIG. 1; and,

FIG. 7 is a bottom view of FIG. 1.

1 Claim, 3 Drawing Sheets



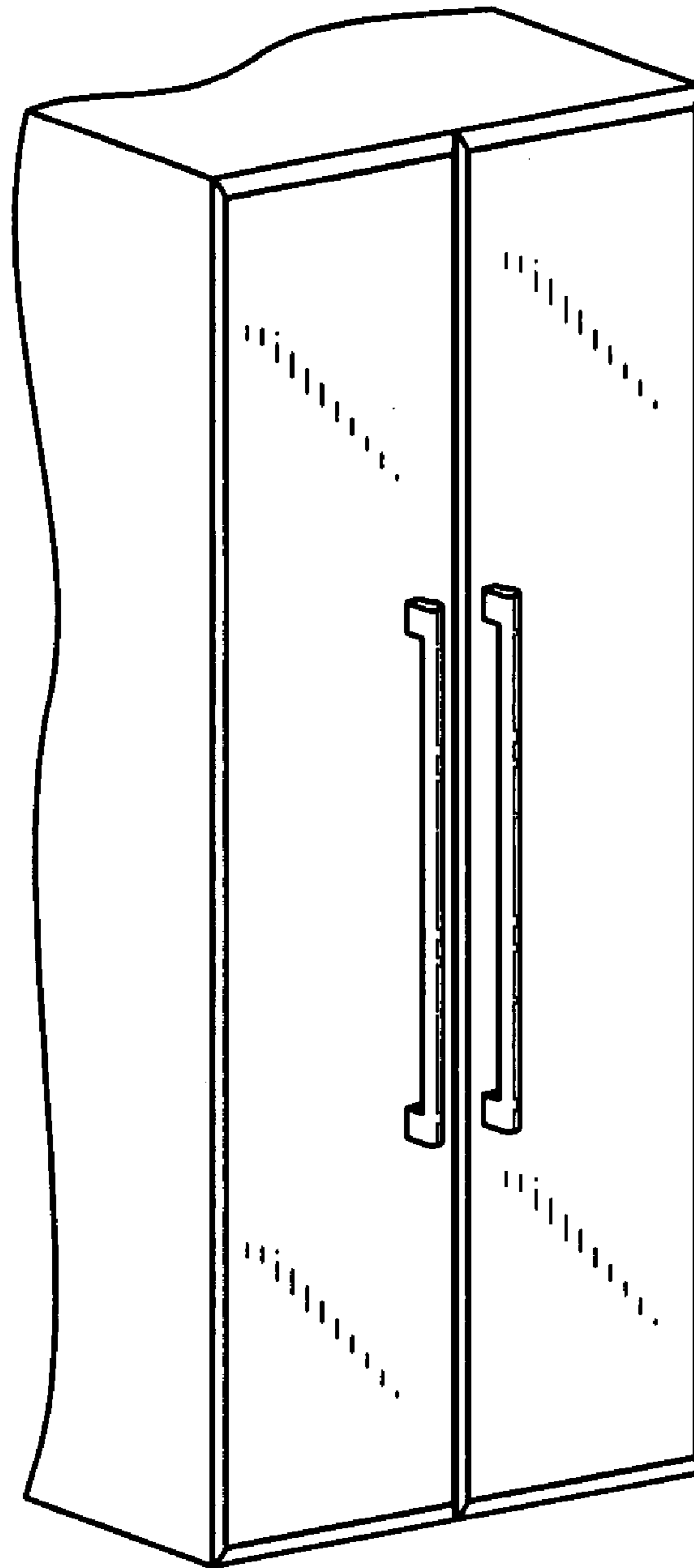


FIG. 1

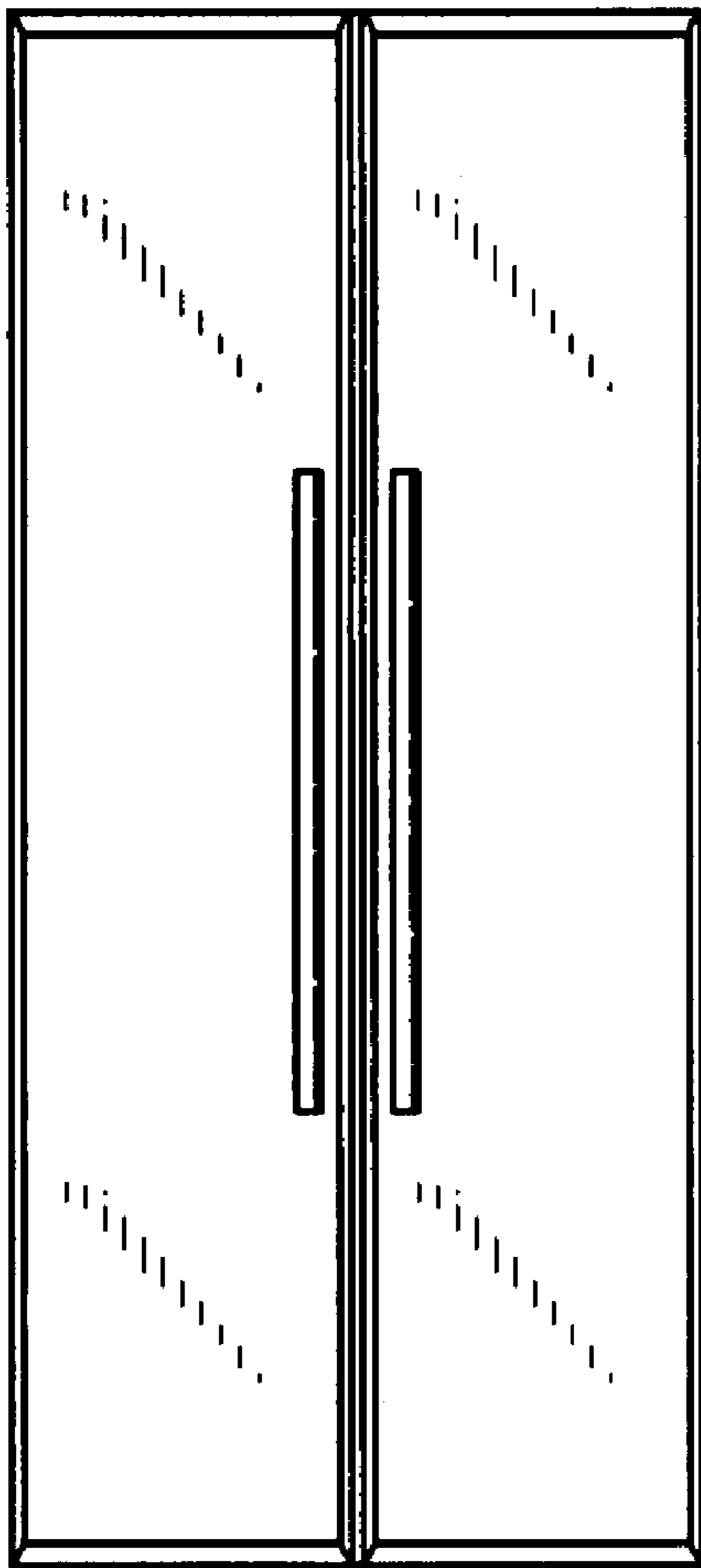


FIG. 2

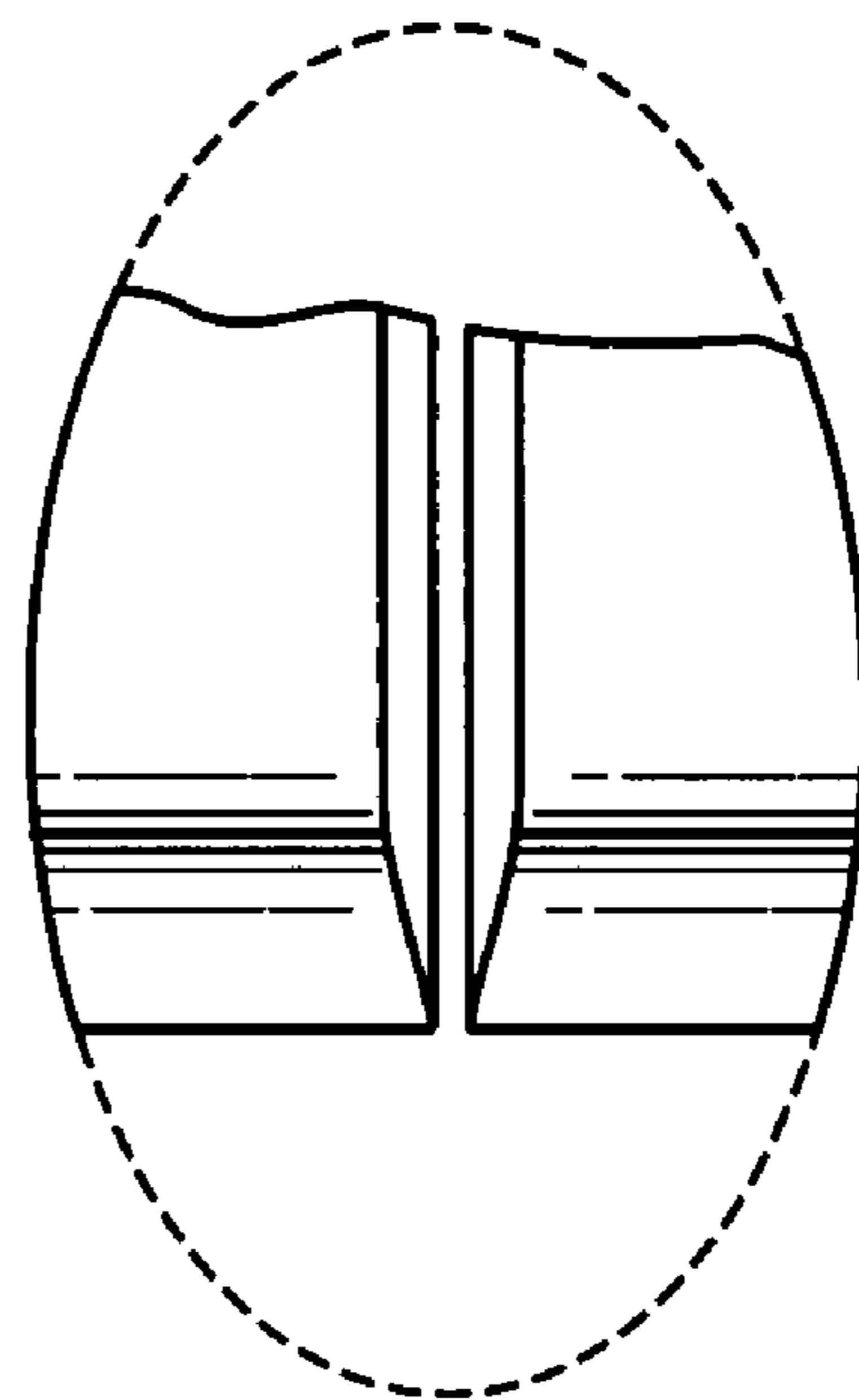


FIG. 3

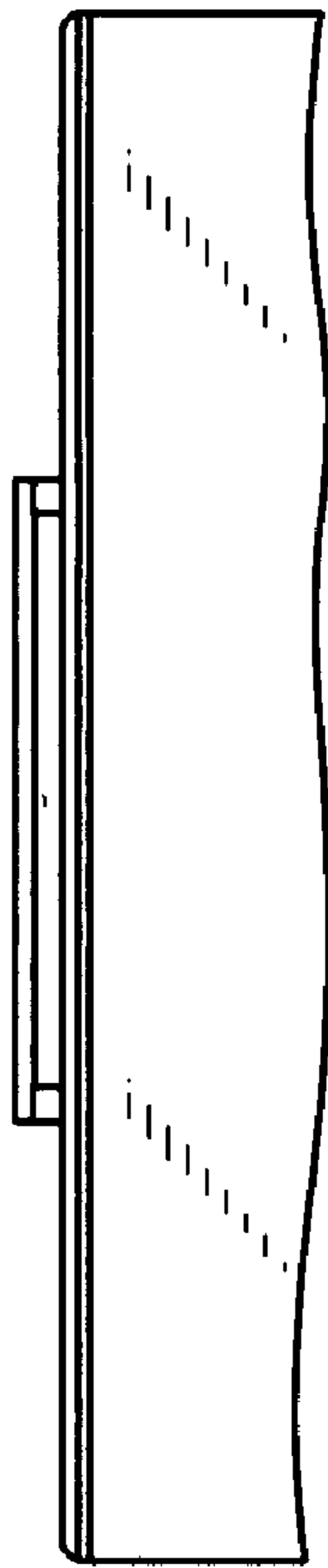


FIG. 4

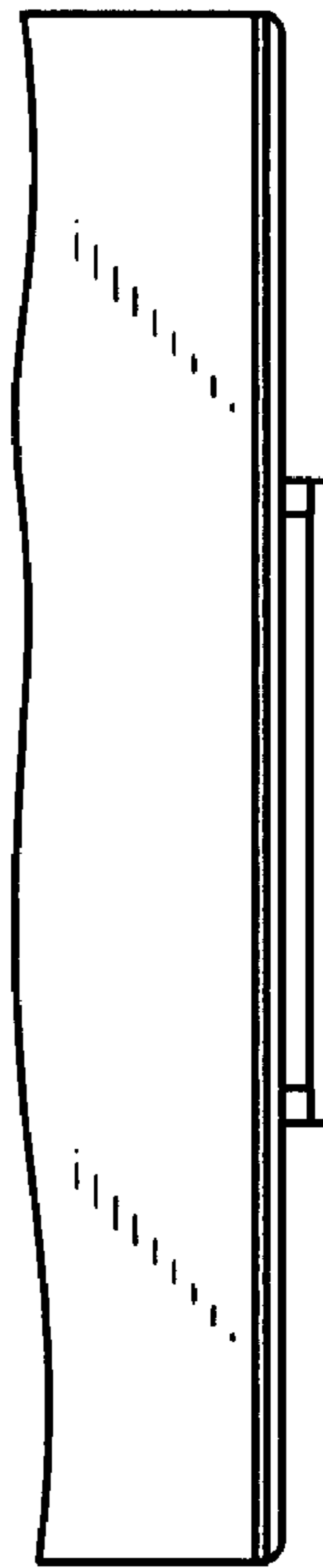


FIG. 5

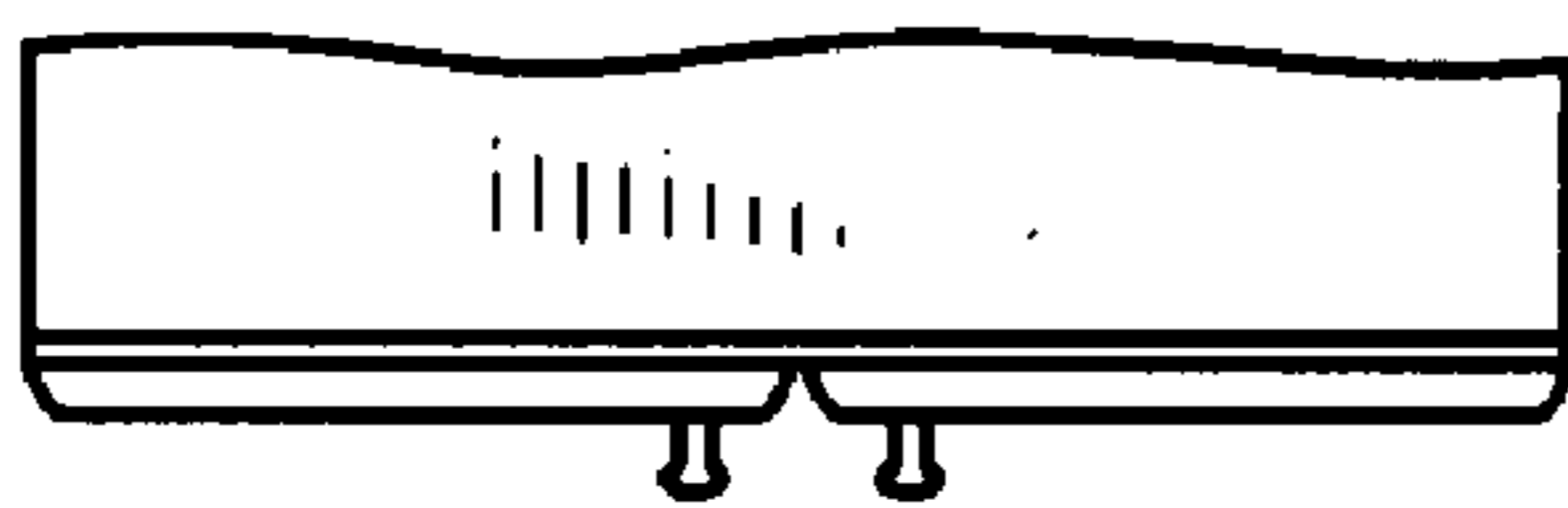


FIG. 6

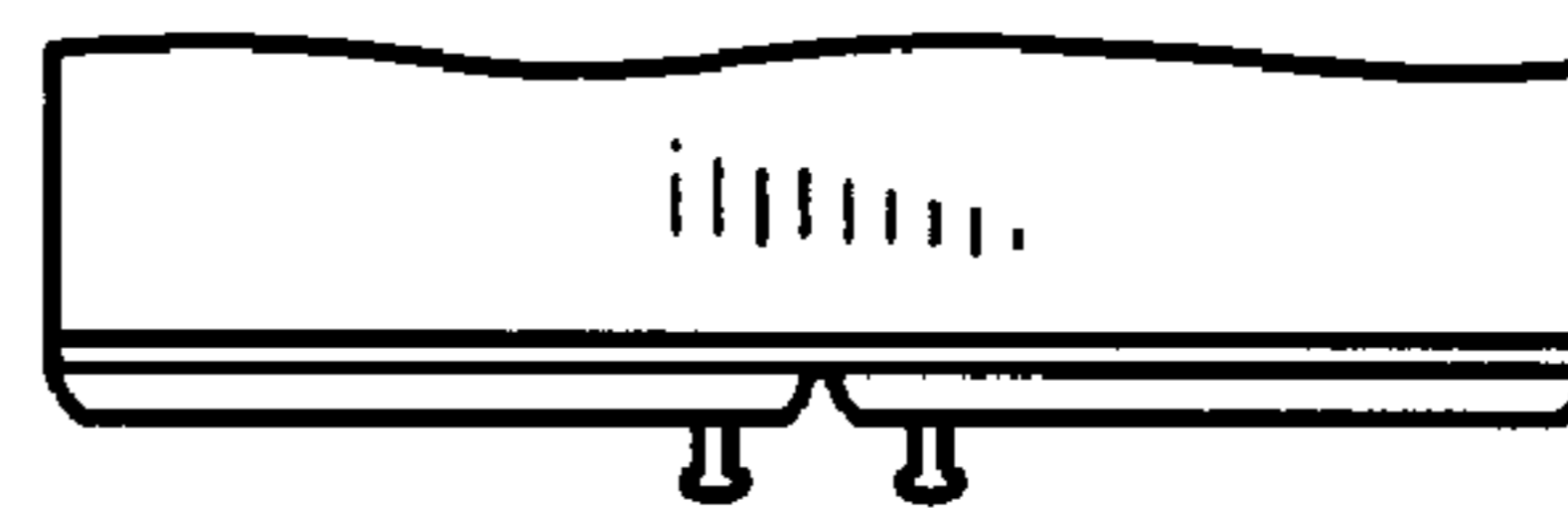


FIG. 7