



US00D553165S

(12) **United States Design Patent**  
**Lee et al.**

(10) **Patent No.:** **US D553,165 S**  
(45) **Date of Patent:** **\*\* Oct. 16, 2007**

(54) **CONTAINER FOR KIMCHI REFRIGERATOR**

D502,845 S \* 3/2005 Wilgus et al. .... D7/605  
D516,099 S \* 2/2006 Maruyama ..... D15/83

(75) Inventors: **Dae Kyun Lee**, Seoul (KR); **Hyung Yong Choi**, Seoul (KR); **Jang Won Kim**, Seoul (KR)

\* cited by examiner

(73) Assignee: **Samsung Electronics Co., Ltd.**,  
Kyungki-Do (KR)

*Primary Examiner*—Stella Reid  
*Assistant Examiner*—Shanda C. Hill  
(74) *Attorney, Agent, or Firm*—Ladas and Parry LLP

(\*\*) Term: **14 Years**

(57) **CLAIM**

(21) Appl. No.: **29/270,598**

The ornamental design for a container for kimchi refrigerator, as shown and described.

(22) Filed: **Dec. 28, 2006**

**DESCRIPTION**

(51) **LOC (8) Cl.** ..... **15-07**

(52) **U.S. Cl.** ..... **D15/89**; D15/79

(58) **Field of Classification Search** ..... D15/79,  
D15/80-83; D7/601-605, 360; D14/157,  
D14/169, 137, 155; D23/207, 209, 332,  
D23/335, 342; 62/3.1, 3.62, 171, 172, 457.1-457.7,  
62/459, 531; 220/592.1-592.3; 312/7.1  
See application file for complete search history.

FIG. 1 is a front, left-side, top perspective view of a container for kimchi refrigerator, showing our new design; FIG. 2 is a front elevational view thereof; FIG. 3 is a rear elevational view thereof; FIG. 4 is a left-side elevational view thereof; FIG. 5 is a right-side elevational view thereof; FIG. 6 is a top plan view thereof; FIG. 7 is a bottom plan view thereof; and, FIG. 8 is a front, left-side, top exploded perspective view of FIG. 1 shown in an alternate position.

(56) **References Cited**

**U.S. PATENT DOCUMENTS**

D381,870 S \* 8/1997 Wedi ..... D7/605  
D484,004 S \* 12/2003 Lee ..... D7/605  
D486,357 S \* 2/2004 Leba et al. .... D7/605

**1 Claim, 5 Drawing Sheets**

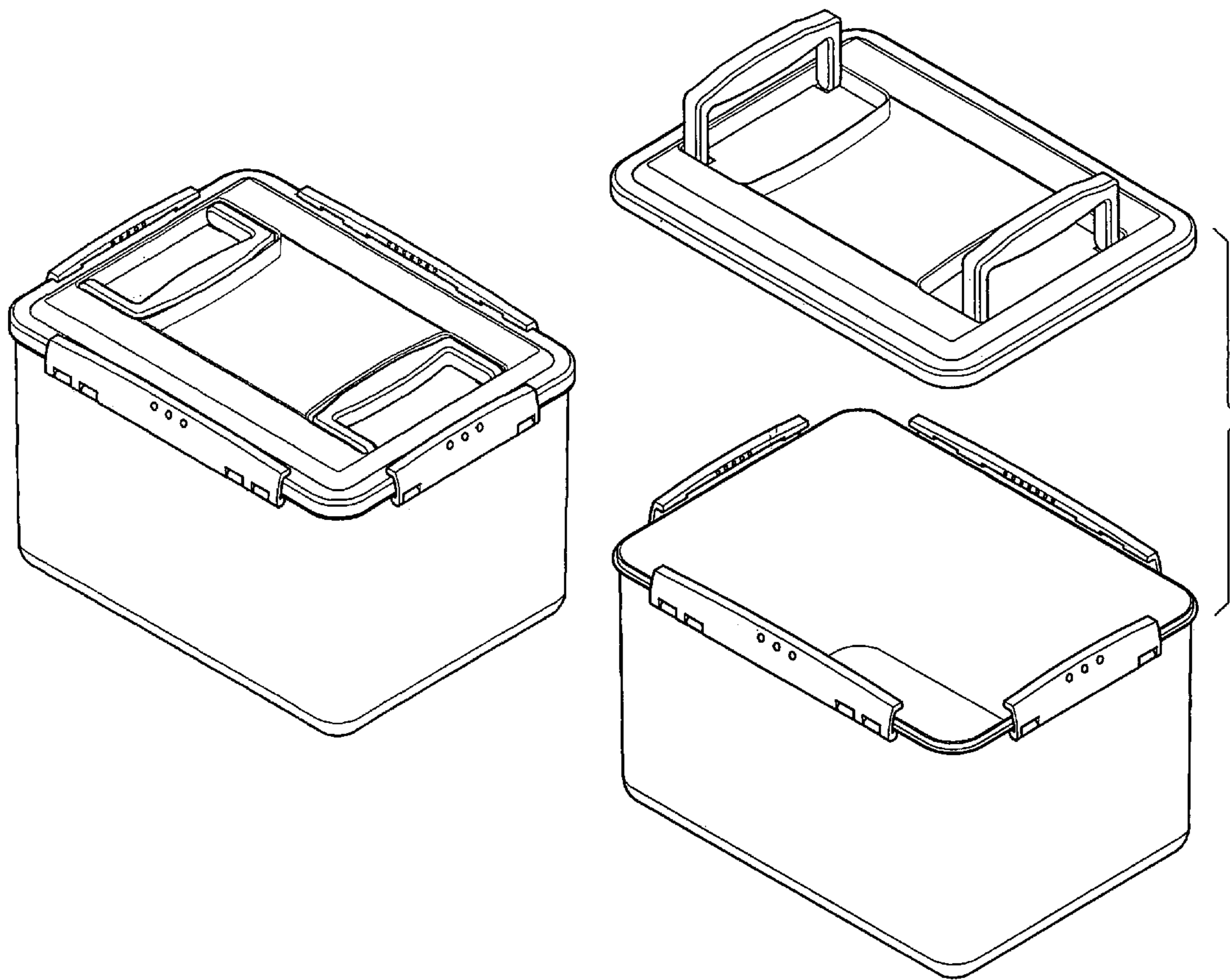


FIG. 1

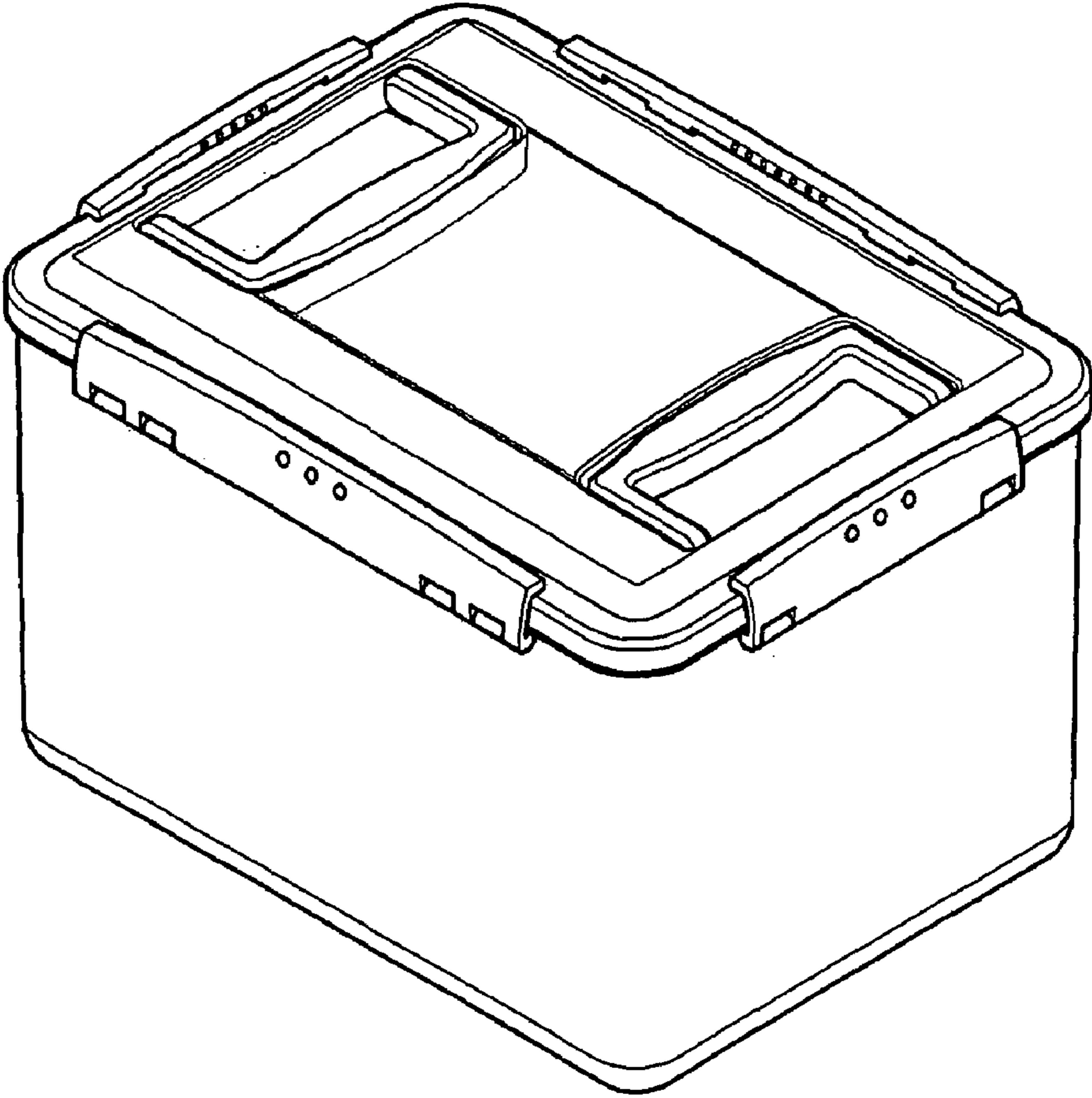


FIG. 2

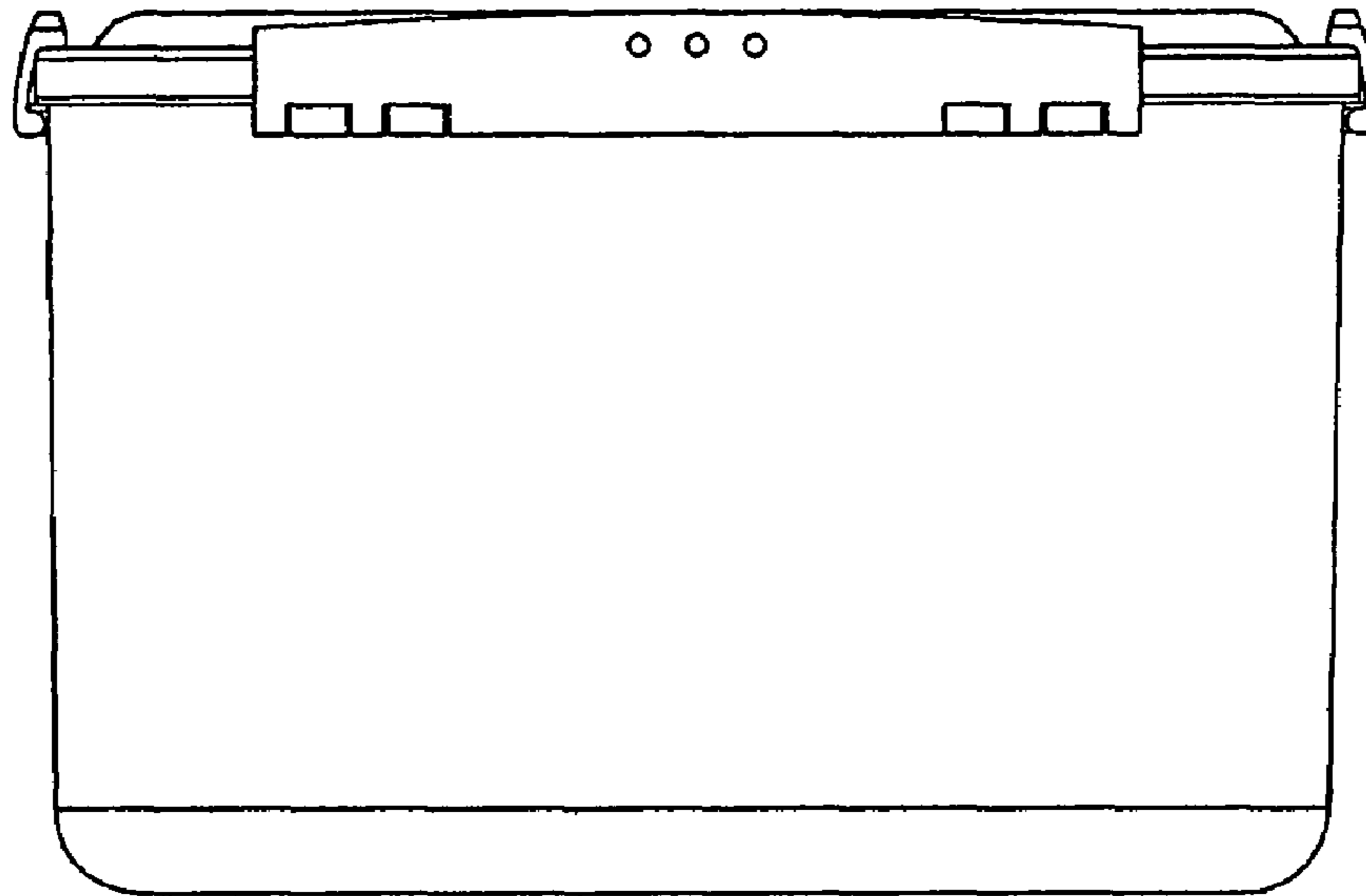


FIG. 3

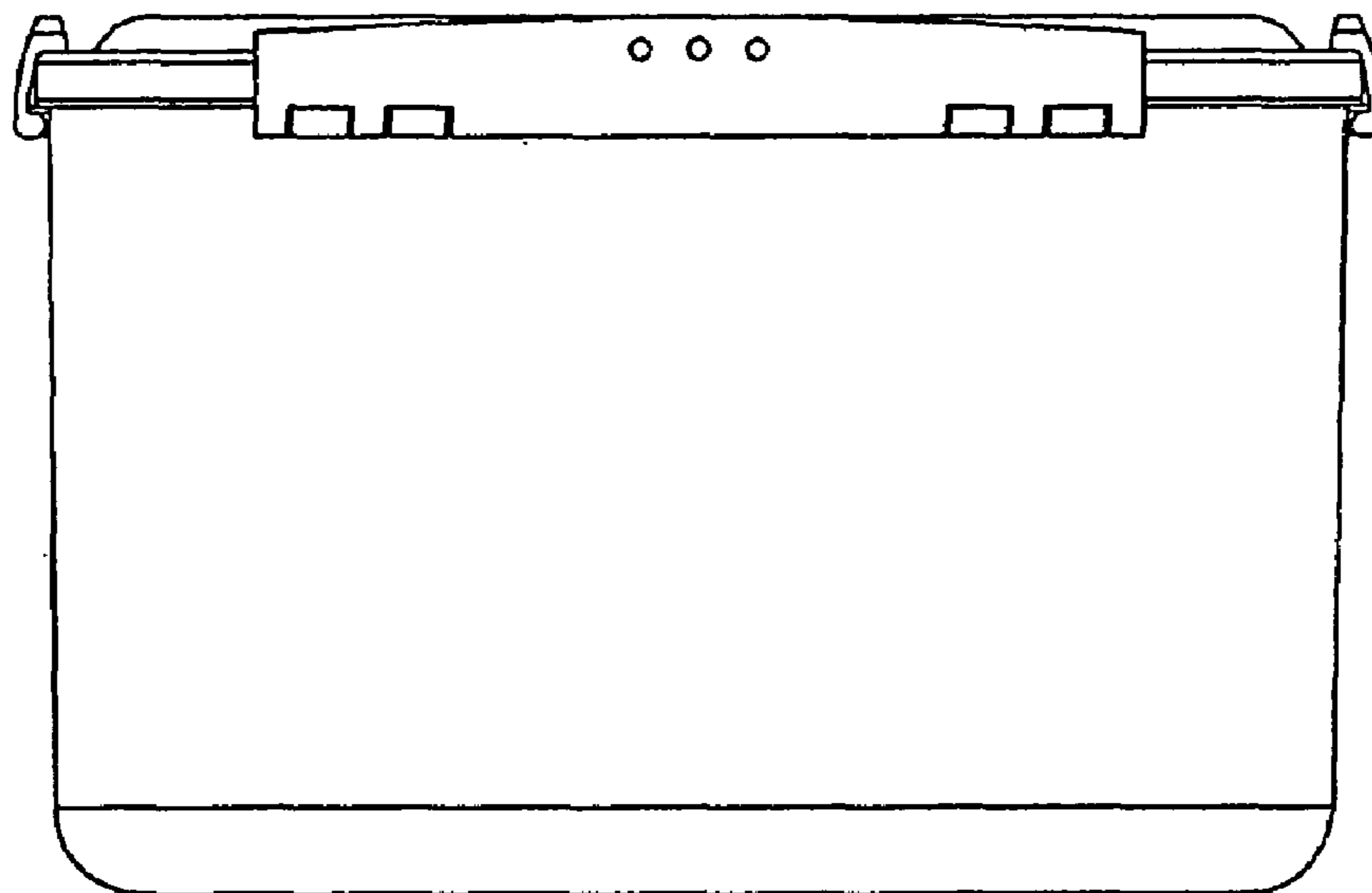


FIG. 4

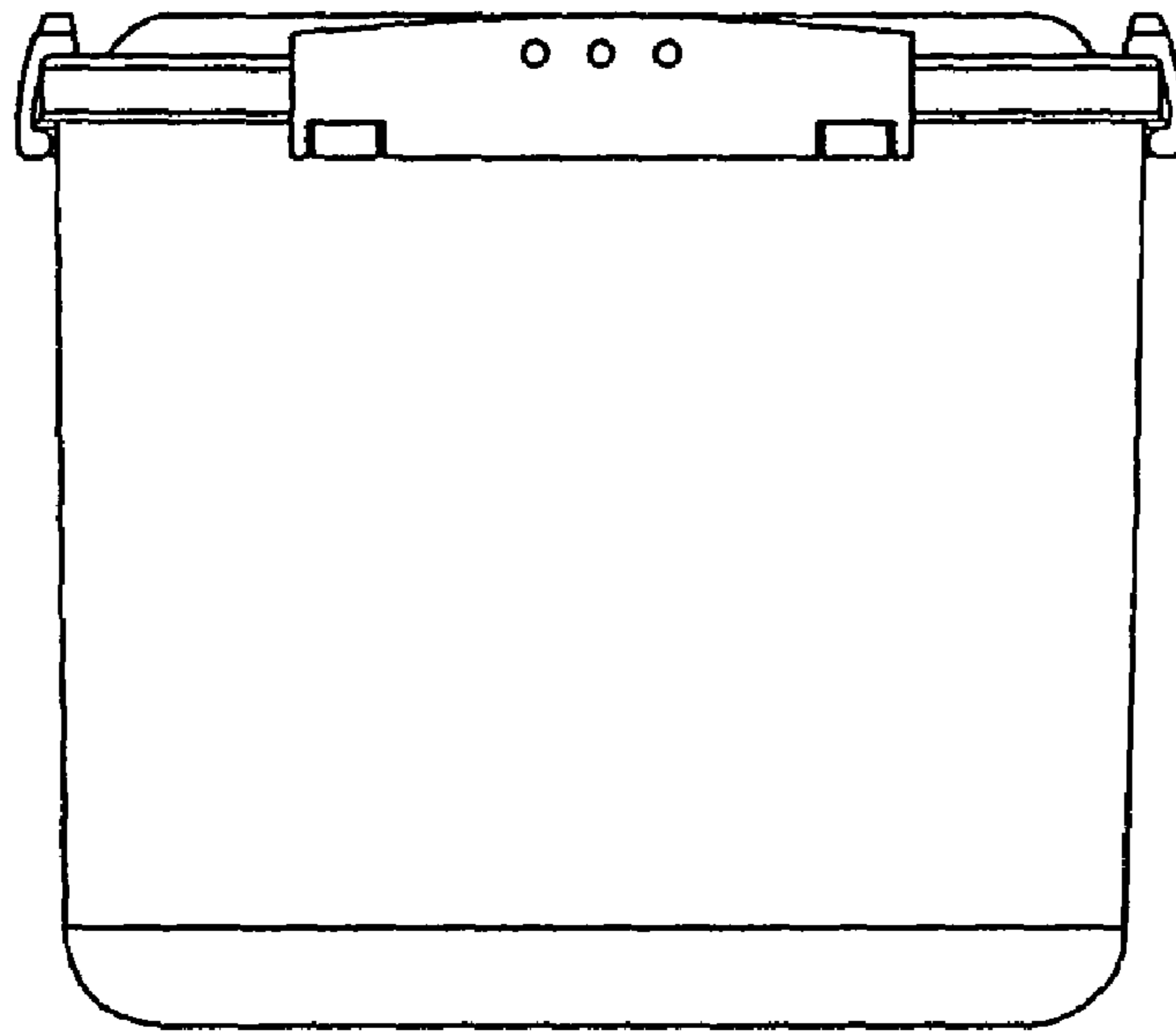


FIG. 5

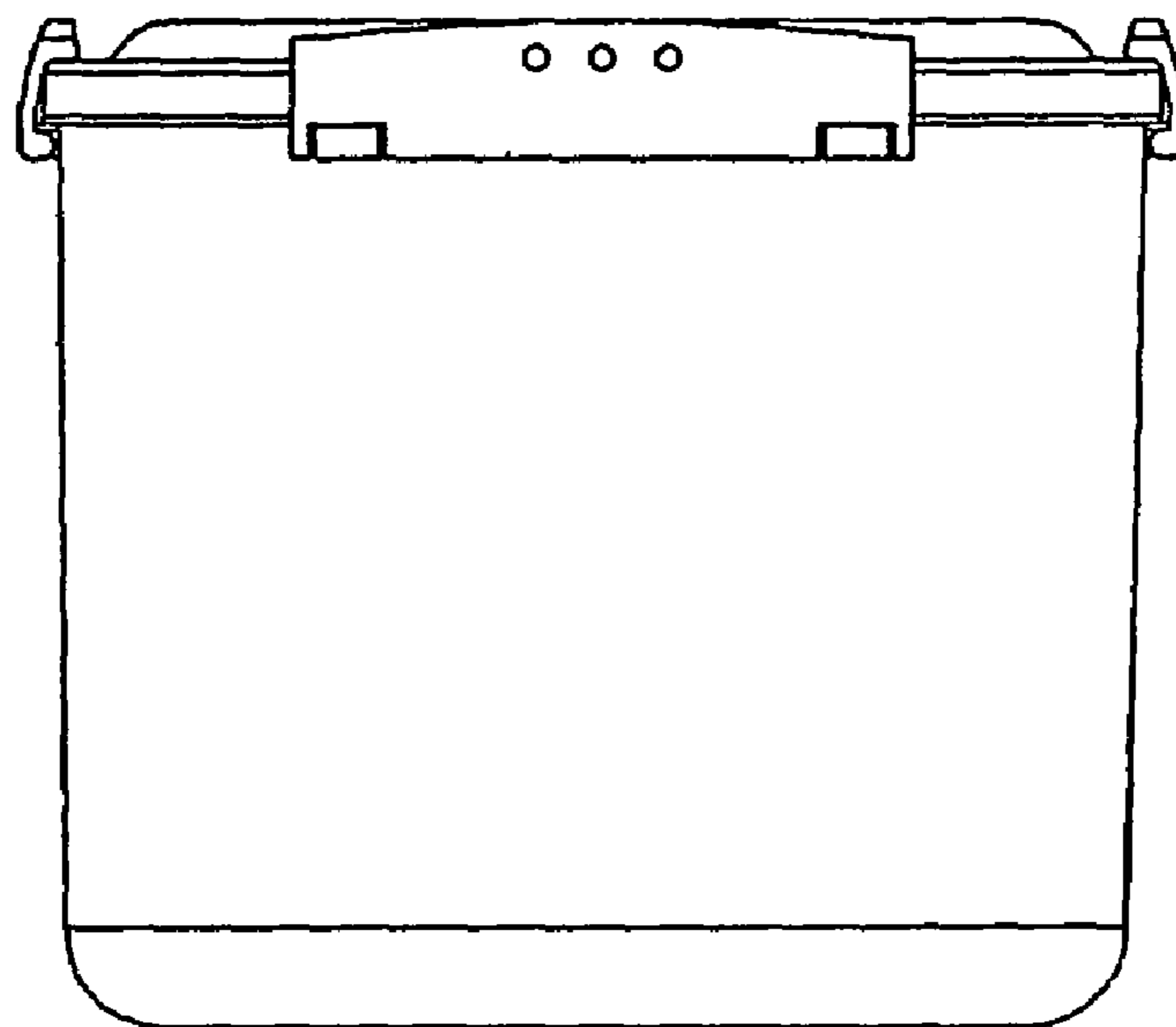


FIG. 6

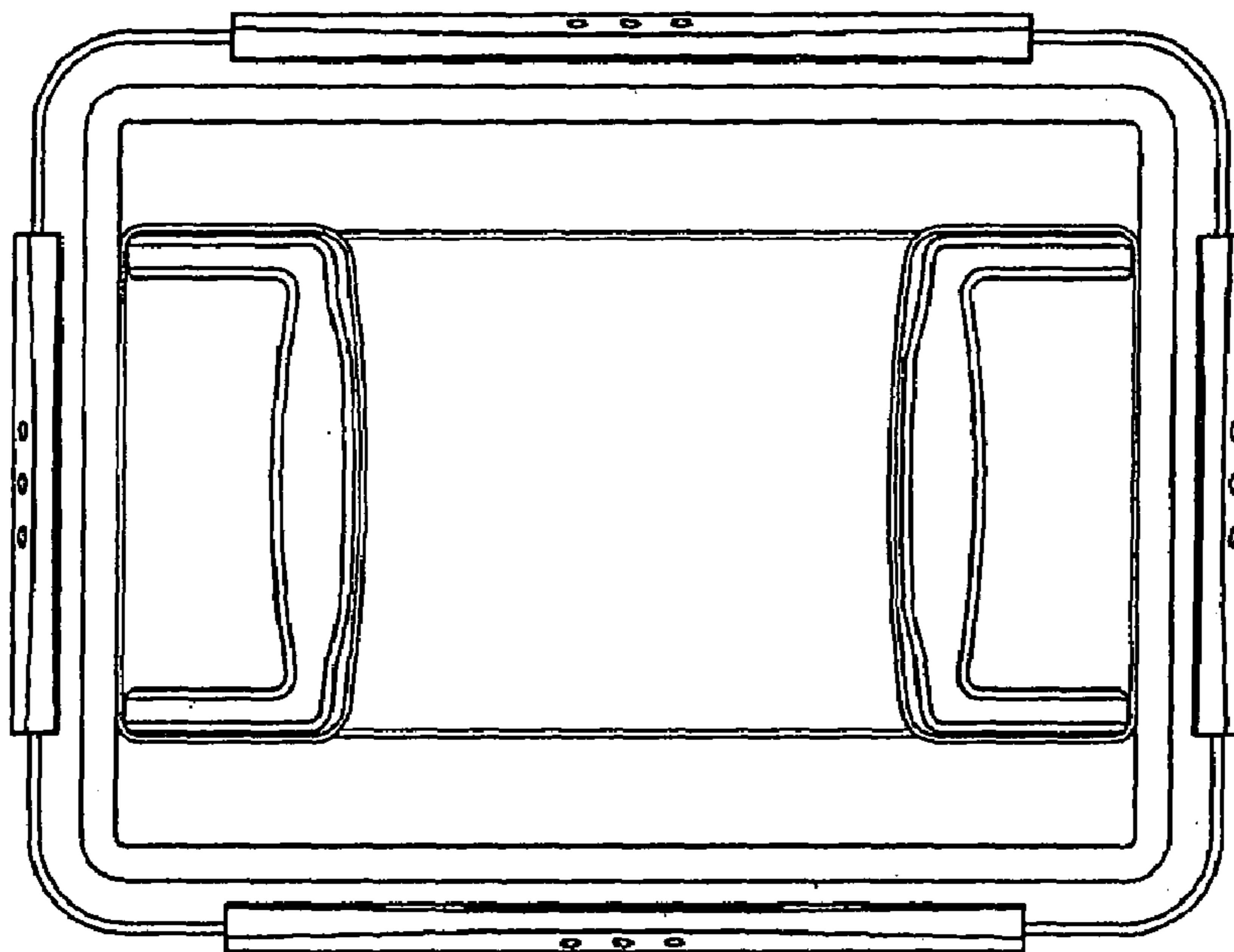


FIG. 7

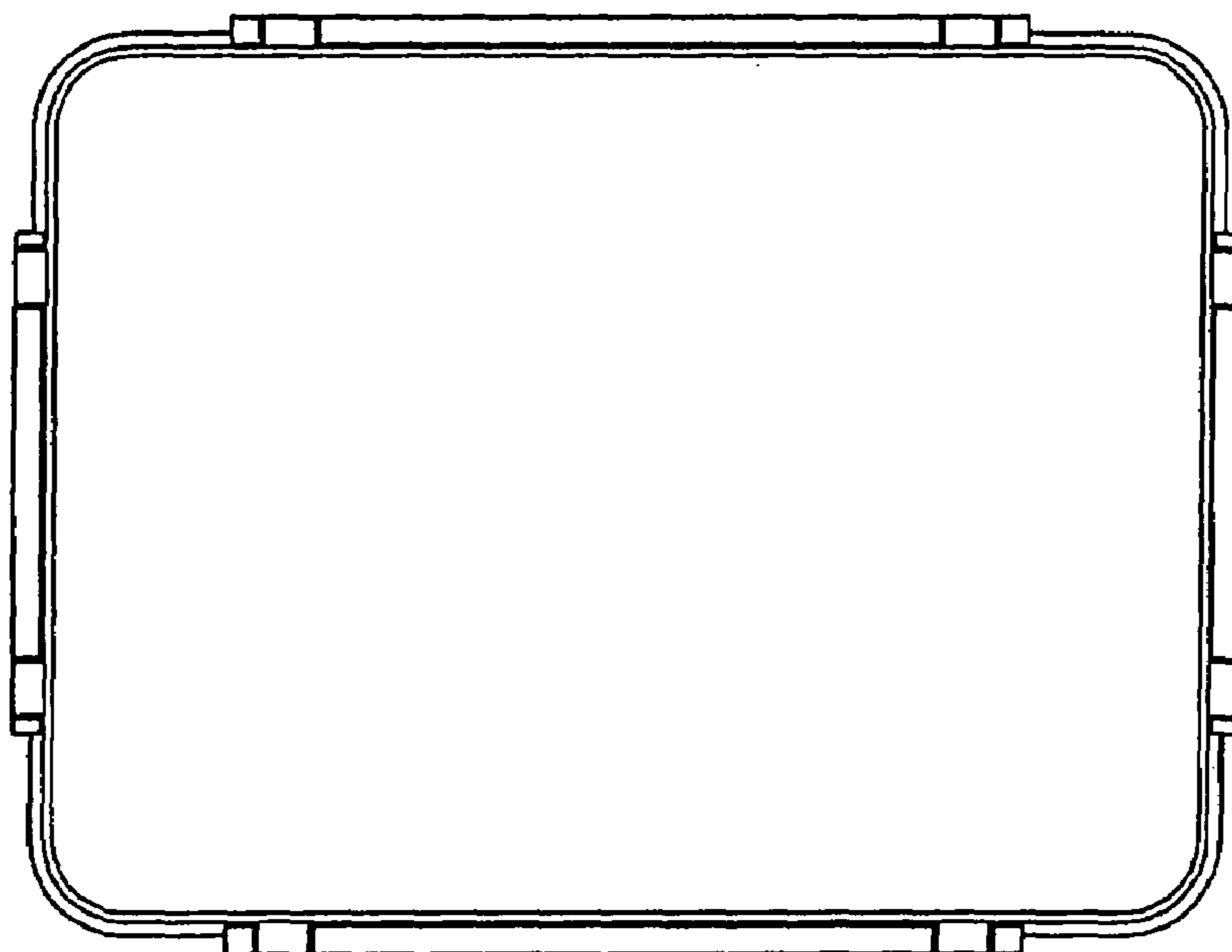


Fig. 8

