



US00D553162S

(12) **United States Design Patent**
Cazes

(10) **Patent No.:** **US D553,162 S**

(45) **Date of Patent:** **** Oct. 16, 2007**

(54) **EXCAVATOR BUCKET**

(76) **Inventor:** **Lyle Cazes**, 32321 Clinton Ave., British Columbia (CA) V2T 5B3

(**) **Term:** **14 Years**

(21) **Appl. No.:** **29/265,824**

(22) **Filed:** **Sep. 7, 2006**

(30) **Foreign Application Priority Data**

Mar. 14, 2006 (CA) 114899

(51) **LOC (8) Cl.** **15-03**

(52) **U.S. Cl.** **D15/32**

(58) **Field of Classification Search** D15/10,
D15/22-26, 28, 29, 32; D21/537; 414/722,
414/723, 686; 172/272-275; 403/324, 326,
403/315, 322.1; 37/403, 405, 408, 409, 411,
37/468, 444, 446, 443, 435, 379

See application file for complete search history.

(56) **References Cited**

U.S. PATENT DOCUMENTS

- 2,148,171 A 2/1939 Paris et al.
- 2,416,409 A 2/1947 Schield
- 2,972,425 A 2/1961 Anderson et al.
- 3,032,900 A 5/1962 Kashergen
- 3,305,951 A 2/1967 Nunn
- 4,037,337 A * 7/1977 Hemphill 37/444
- 4,085,530 A 4/1978 Landry
- 4,123,861 A * 11/1978 Hemphill 37/195
- 4,318,663 A 3/1982 Waite
- D274,622 S * 7/1984 Neander D15/32
- D299,723 S * 2/1989 Frawley D15/32
- D308,528 S * 6/1990 Harr D15/32
- D326,859 S * 6/1992 Cody et al. D15/32
- 5,486,084 A 1/1996 Pitman et al.
- 5,592,762 A * 1/1997 Hendron et al. 37/443

- 5,692,852 A * 12/1997 Collins 403/234
- 5,794,370 A * 8/1998 Haagenstad et al. 37/404
- 5,802,748 A * 9/1998 Haagenstad 37/405
- 5,815,959 A 10/1998 Bahner et al.
- 5,901,479 A * 5/1999 Langdon 37/444
- 5,951,192 A * 9/1999 Collins 403/150
- 6,085,447 A * 7/2000 Rose 37/403
- D442,757 S * 5/2001 Loflin, Sr. D34/35
- 6,578,297 B1 6/2003 Forsberg
- 7,059,072 B2 * 6/2006 Archuleta et al. 37/468
- 2005/0173136 A1 8/2005 Morin

FOREIGN PATENT DOCUMENTS

CA	926823	5/1973
CA	2187131	4/1998
GB	484845	5/1938
GB	514552	11/1939
WO	WO-90/05813	5/1990

* cited by examiner

Primary Examiner—Stella Reid

Assistant Examiner—Mark Goodwin

(74) *Attorney, Agent, or Firm*—Davis Bujold & Daniels, P.L.L.C.

(57) **CLAIM**

The ornamental design for an excavator bucket, as shown and described.

DESCRIPTION

FIG. 1 is a left side view of the excavator bucket showing my new design.

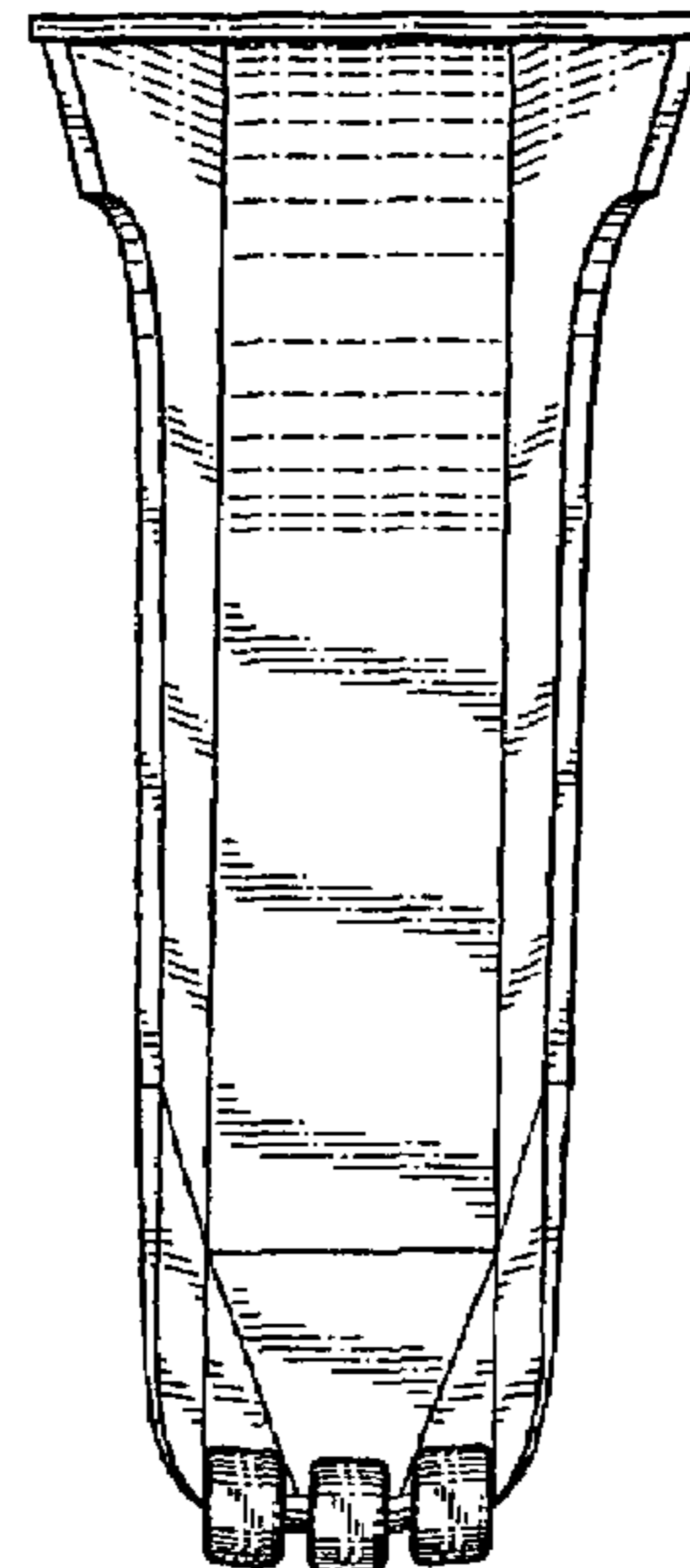
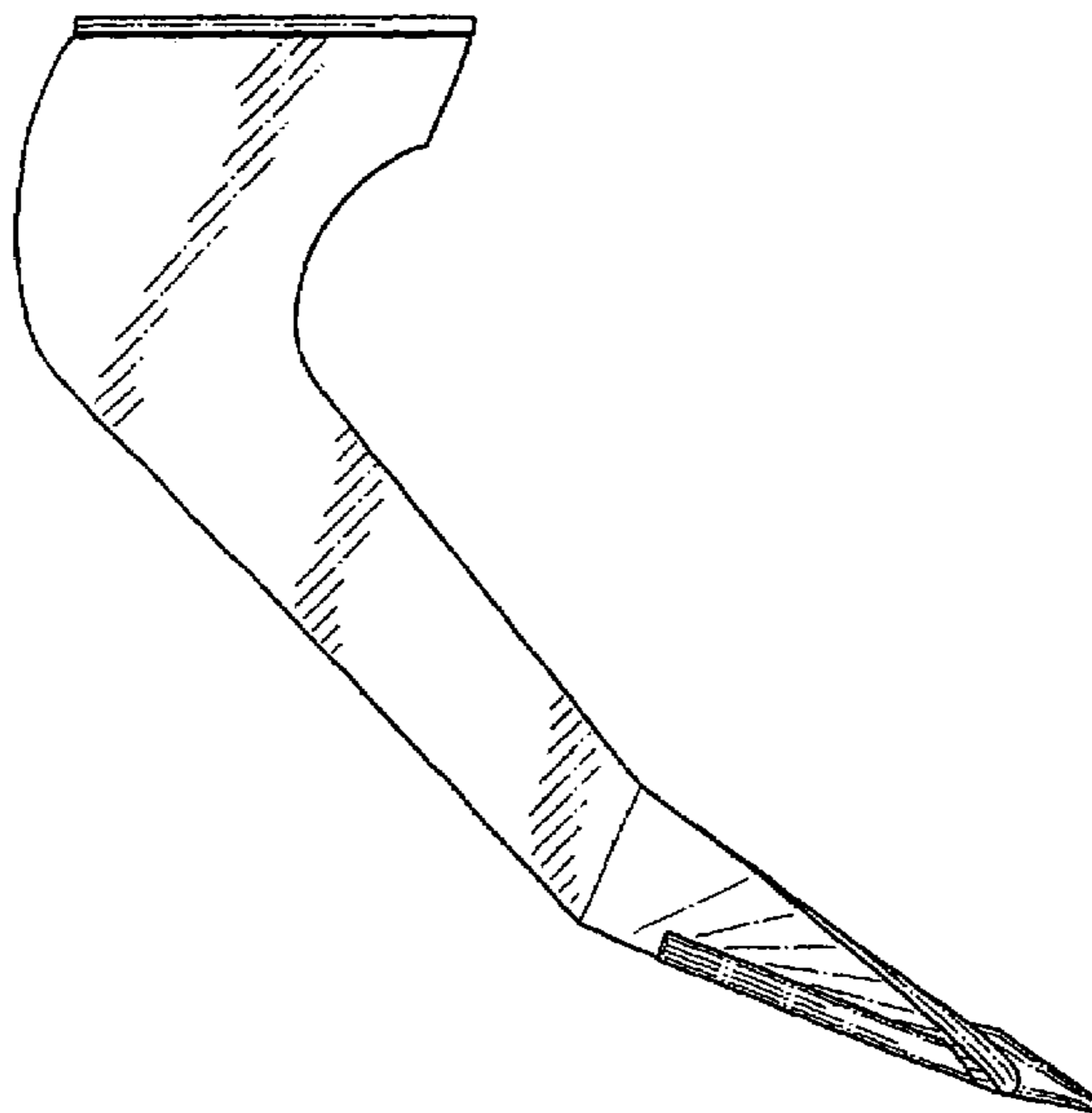
FIG. 2 is front elevation view of the excavator bucket.

FIG. 3 is a rear elevation view of the excavator bucket.

FIG. 4 is a top plan view of the excavator bucket; and,

FIG. 5 is a bottom plan view of the excavator bucket.

1 Claim, 2 Drawing Sheets



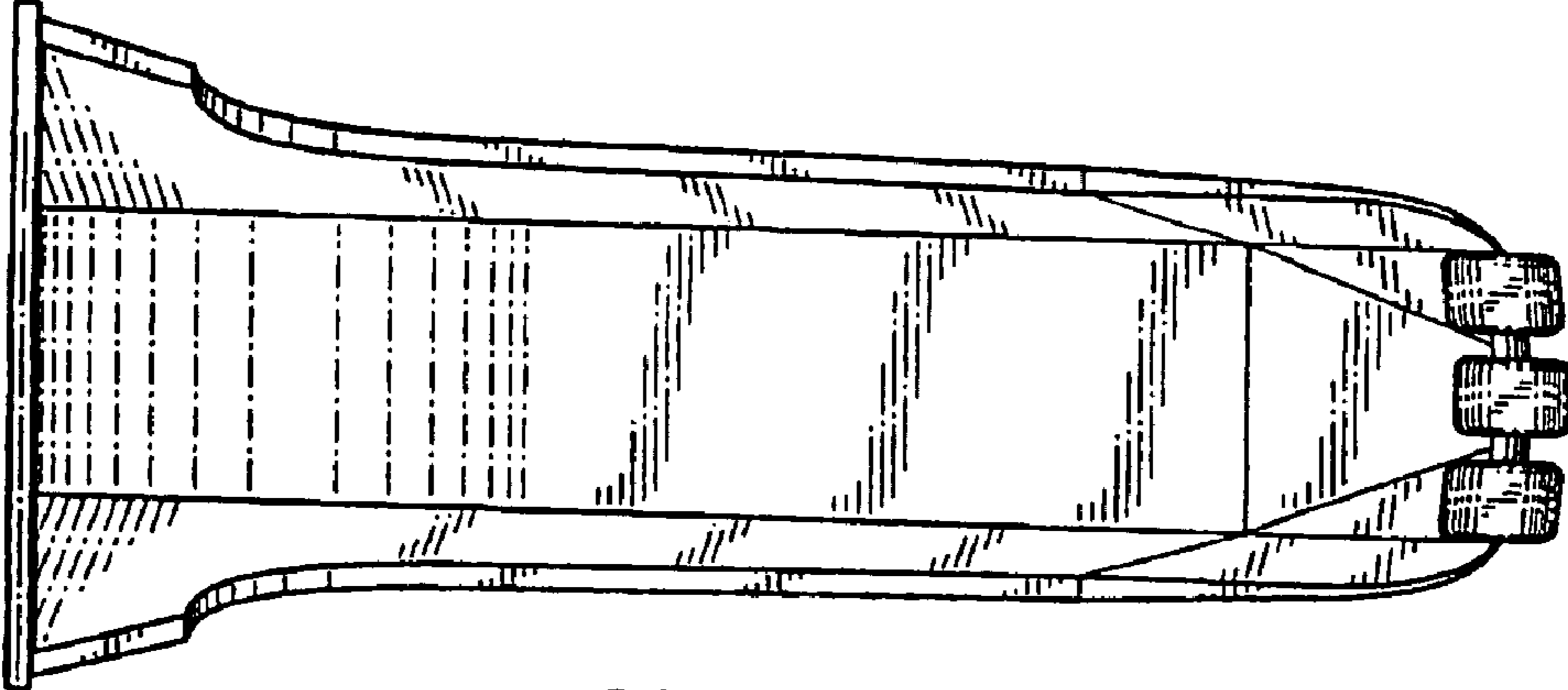


FIG. 2

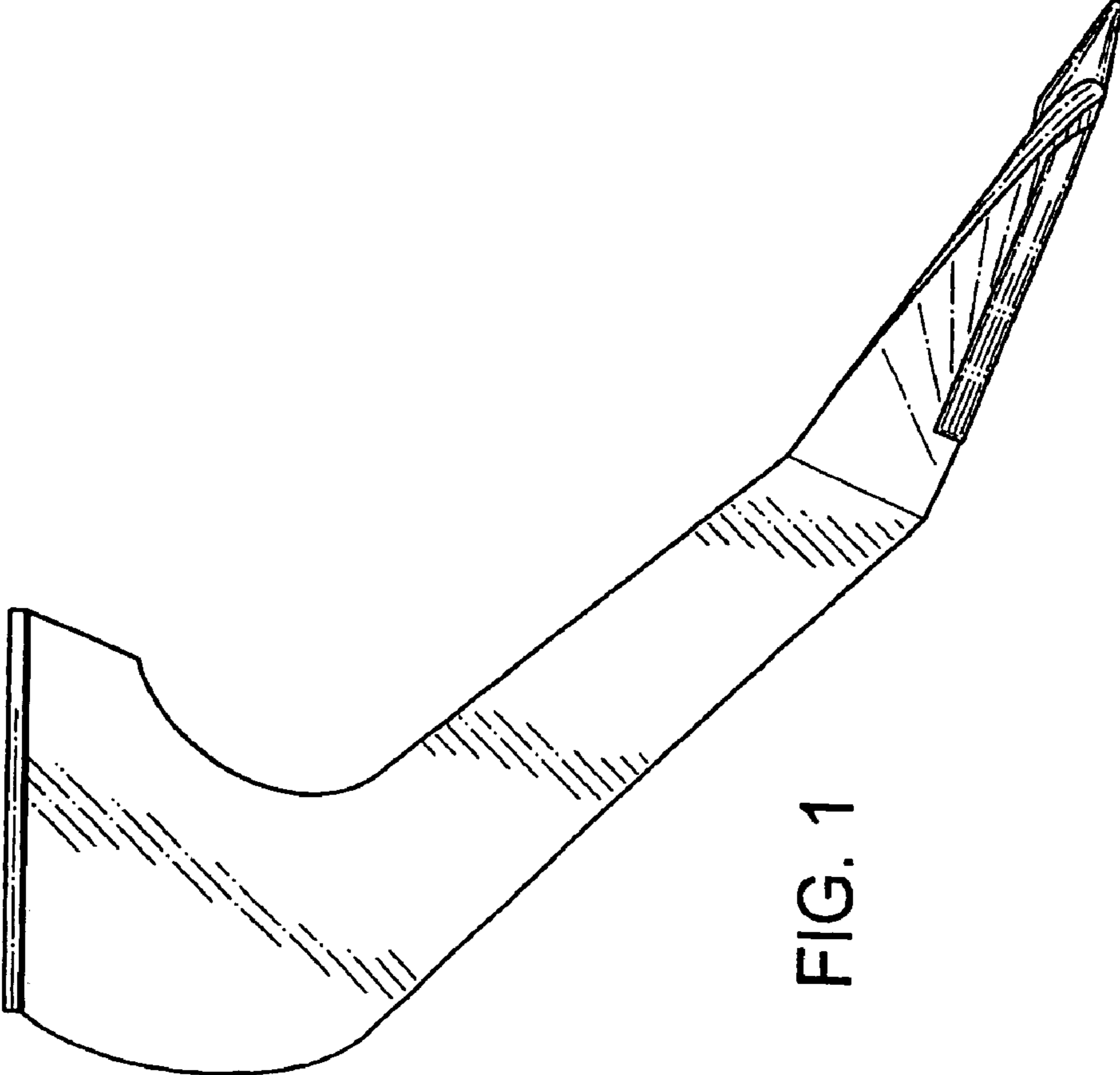


FIG. 1

FIG. 5

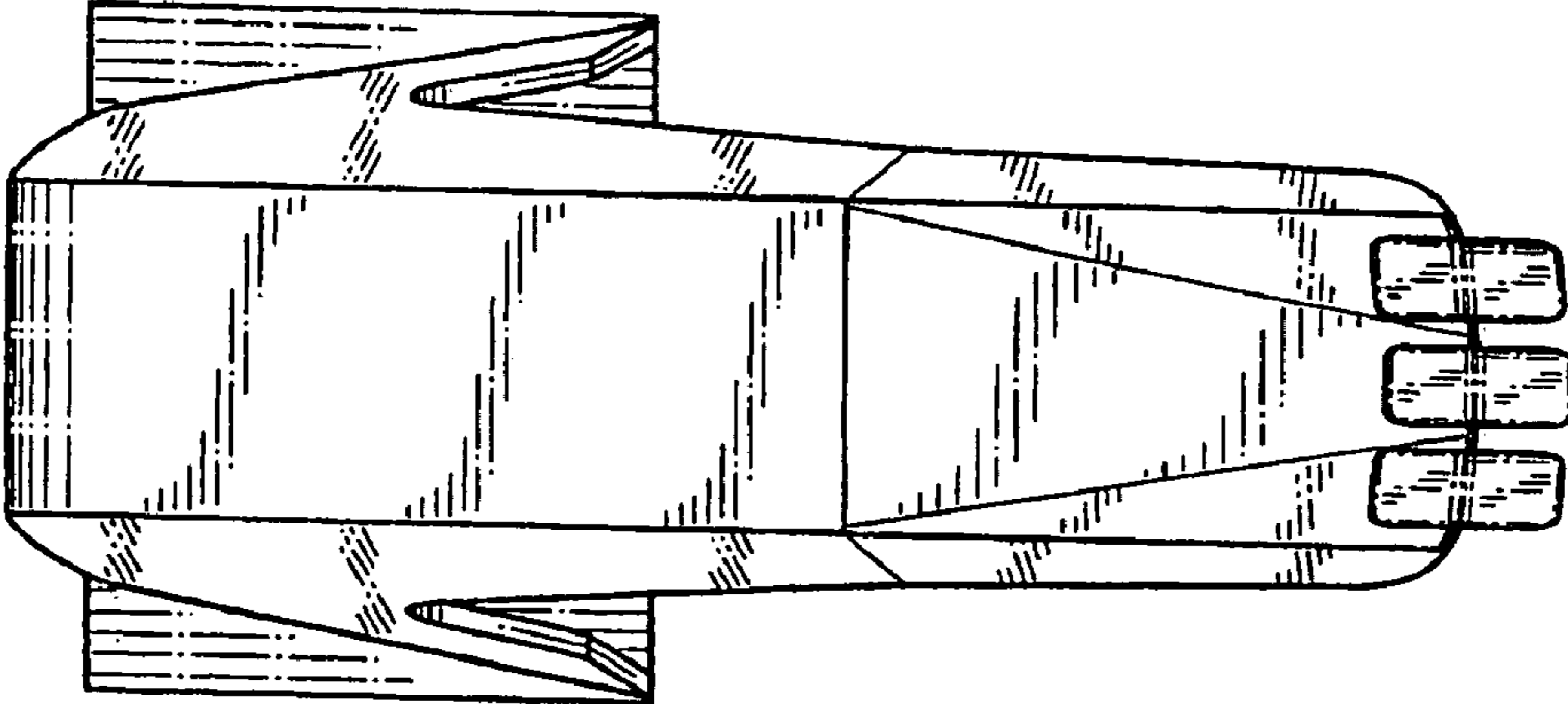


FIG. 4

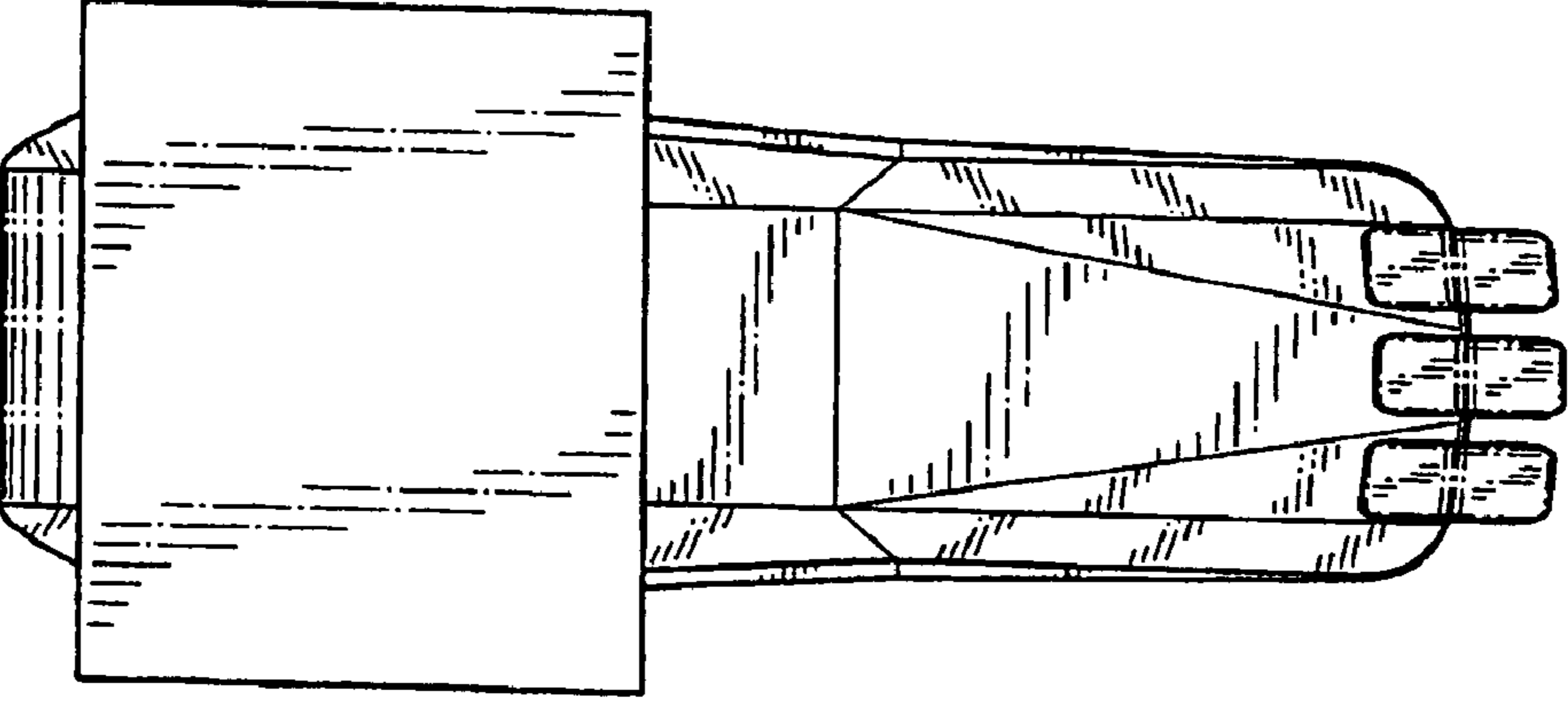


FIG. 3

