



US00D553160S

(12) **United States Design Patent** (10) **Patent No.:** **US D553,160 S**
Jones et al. (45) **Date of Patent:** **** Oct. 16, 2007**

(54) **CANOPY FOR A MACHINE**

(75) Inventors: **Jeremy A. Jones**, Holly Springs, NC
(US); **Matthew J. Harrenstein**,
Sanford, NC (US)

(73) Assignee: **Caterpillar S.A.R.L.**, Geneva

(**) Term: **14 Years**

(21) Appl. No.: **29/263,515**

(22) Filed: **Jul. 25, 2006**

(51) **LOC (8) Cl.** **15-03**

(52) **U.S. Cl.** **D15/30**

(58) **Field of Classification Search** D15/22-28,
D15/30, 33; D12/96; D34/34-37; 180/89.1;
414/503, 914; 280/756; 296/102

See application file for complete search history.

(56) **References Cited**

U.S. PATENT DOCUMENTS

D224,588	S	*	8/1972	Bauer	D15/23
3,933,371	A	*	1/1976	Graham	280/756
4,055,262	A	*	10/1977	Bauer et al.	414/697
4,060,261	A	*	11/1977	Bauer et al.	280/756
D247,814	S	*	5/1978	Johnson et al.	D15/23
D251,088	S	*	2/1979	Johnson et al.	D15/23
D271,151	S	*	10/1983	Kirby et al.	D34/35
D271,397	S	*	11/1983	Kuhn et al.	D15/25
D314,389	S	*	2/1991	Lynnes et al.	D15/25
D317,926	S	*	7/1991	Lynnes et al.	D15/25
5,029,918	A	*	7/1991	Albright et al.	293/126
D348,553	S	*	7/1994	Martin, Jr.	D34/37
D362,099	S	*	9/1995	Heiler	D34/34
D365,351	S	*	12/1995	Schroyer	D15/28
D376,372	S	*	12/1996	Little et al.	D15/23
D407,416	S	*	3/1999	Miller et al.	D15/28
D407,417	S	*	3/1999	Miller et al.	D15/28

D419,568	S	*	1/2000	Baig et al.	D15/25
D423,521	S	*	4/2000	Walter et al.	D15/23
D424,778	S	*	5/2000	Dahl et al.	D34/34
D438,878	S	*	3/2001	Brandenburg et al.	D15/30
D446,225	S	*	8/2001	Brandenburg et al.	D15/30
D449,417	S	*	10/2001	Snyder	D34/37
D450,718	S	*	11/2001	Muraro	D15/25
D481,398	S	*	10/2003	Tokach et al.	D15/30

* cited by examiner

Primary Examiner—Stella Reid

Assistant Examiner—Mark Goodwin

(74) *Attorney, Agent, or Firm*—William A. Beckman

(57) **CLAIM**

The ornamental design for a canopy for a machine, as shown and described.

DESCRIPTION

FIG. 1 is a front isometric view of a canopy for a machine, showing our new design;

FIG. 2 is a front view thereof;

FIG. 3 is a rear view thereof;

FIG. 4 is a left side view thereof, wherein the right side view is a mirror image thereof;

FIG. 5 is a top view thereof; and,

FIG. 6 is a bottom view thereof.

The phantom dashed lines of FIGS. 1-6 showing the hardware and the handle are for illustrative purposes only and form no part of the claimed design relative to the particular embodiment shown.

The broken line showing in FIGS. 1-6 of the hardware and the handles is included for the purpose of illustrating environmental structure and forms no part of the claimed design.

1 Claim, 6 Drawing Sheets

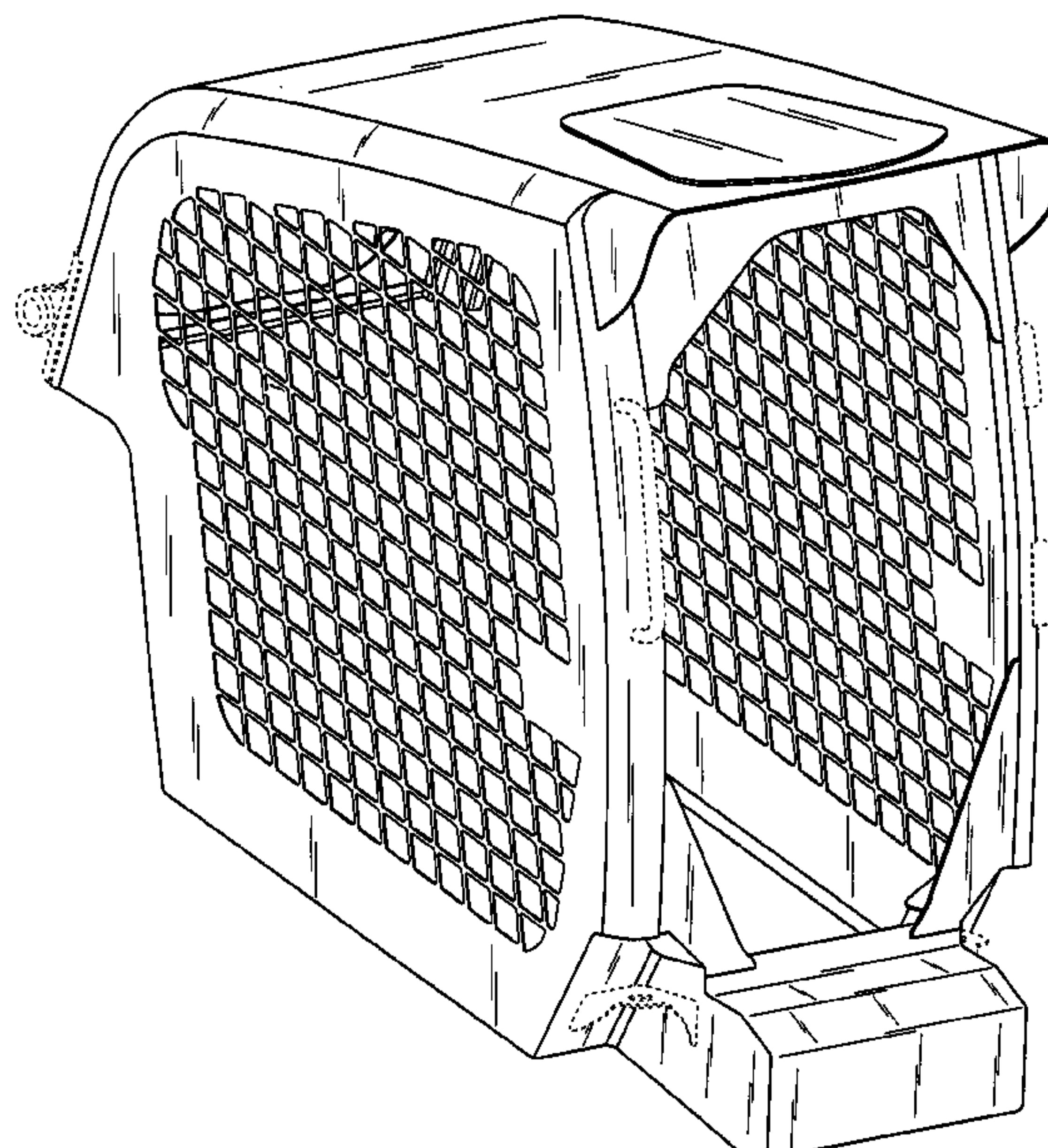


FIG. 1.

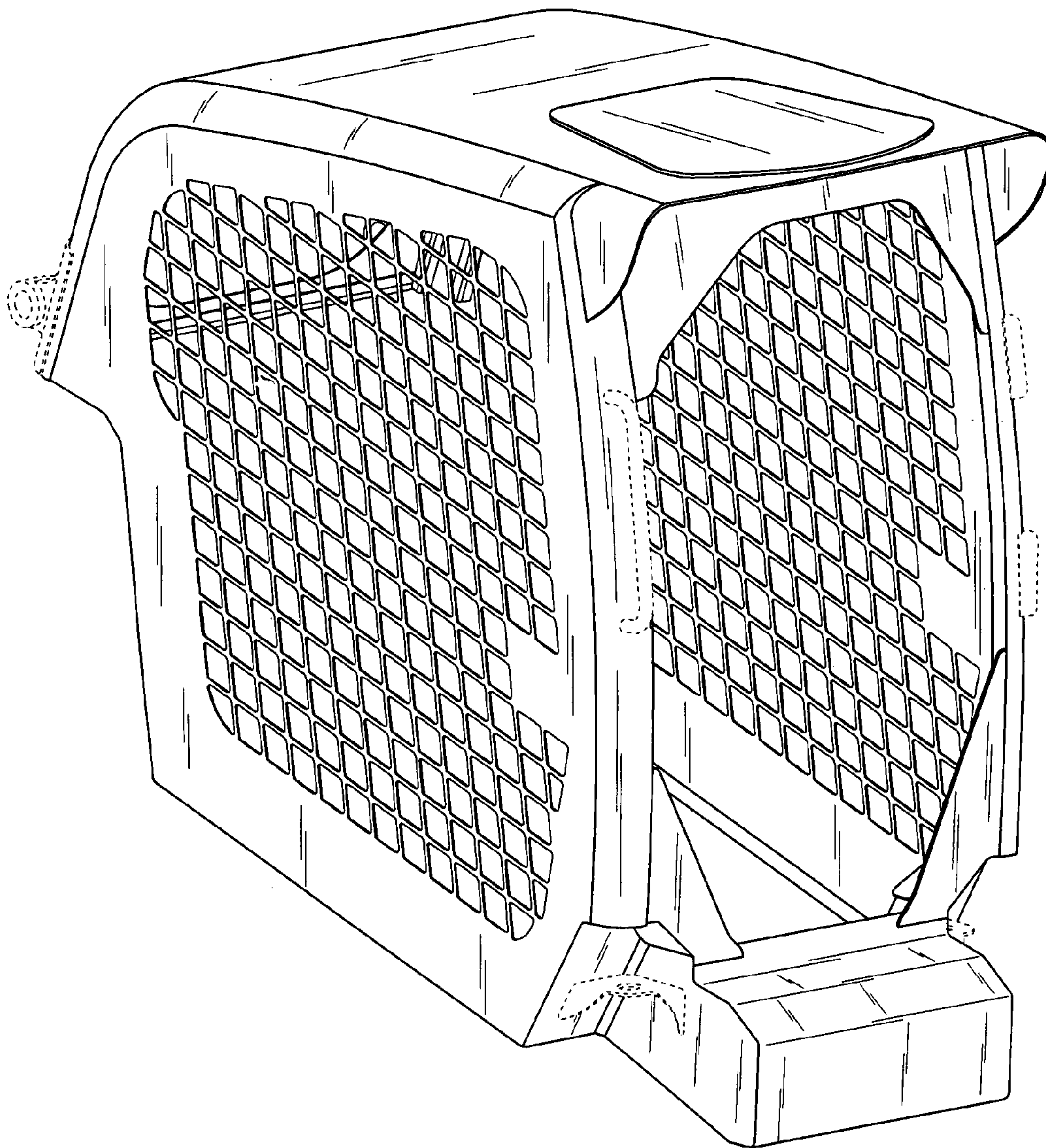


FIG. 2.

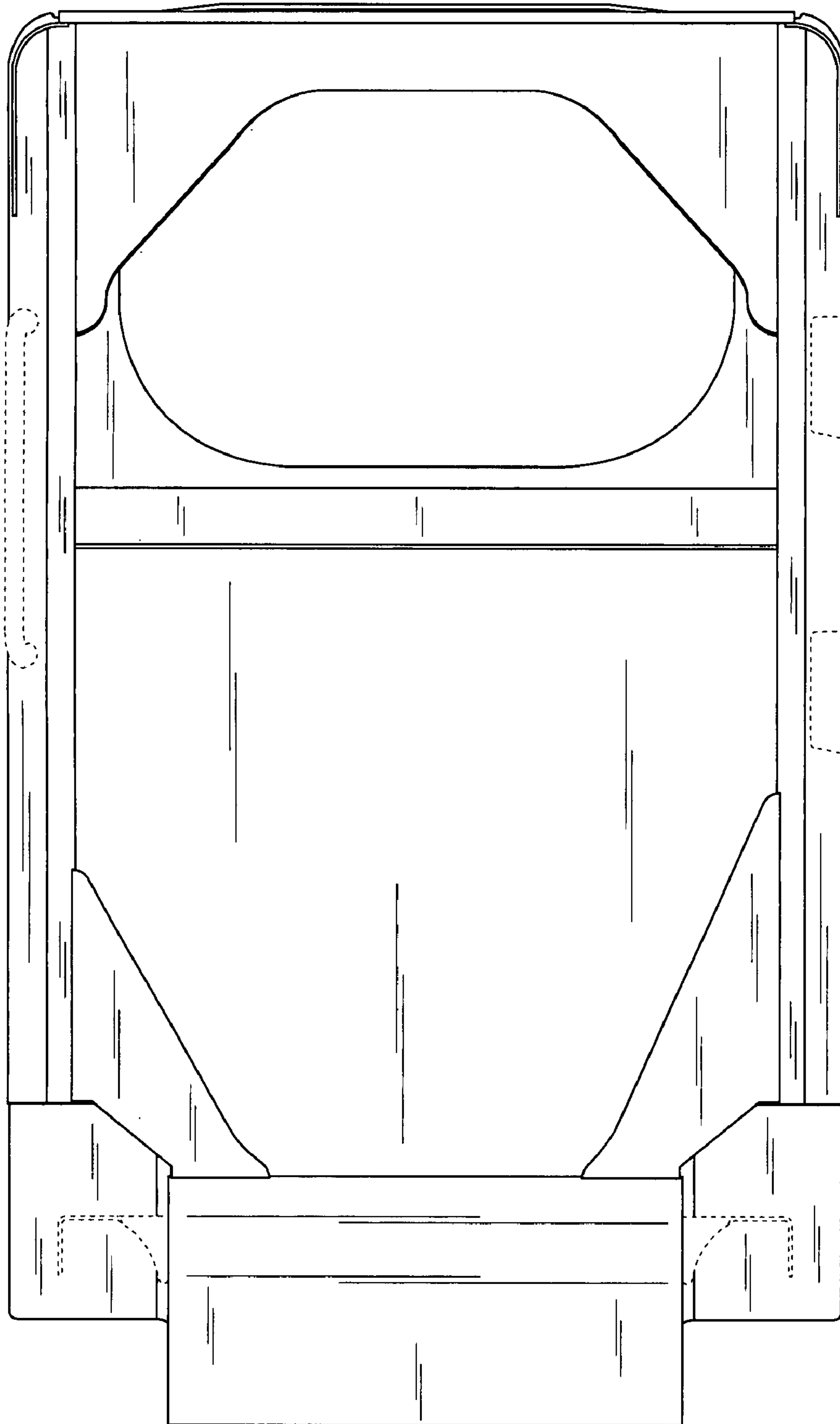


Fig. 3.

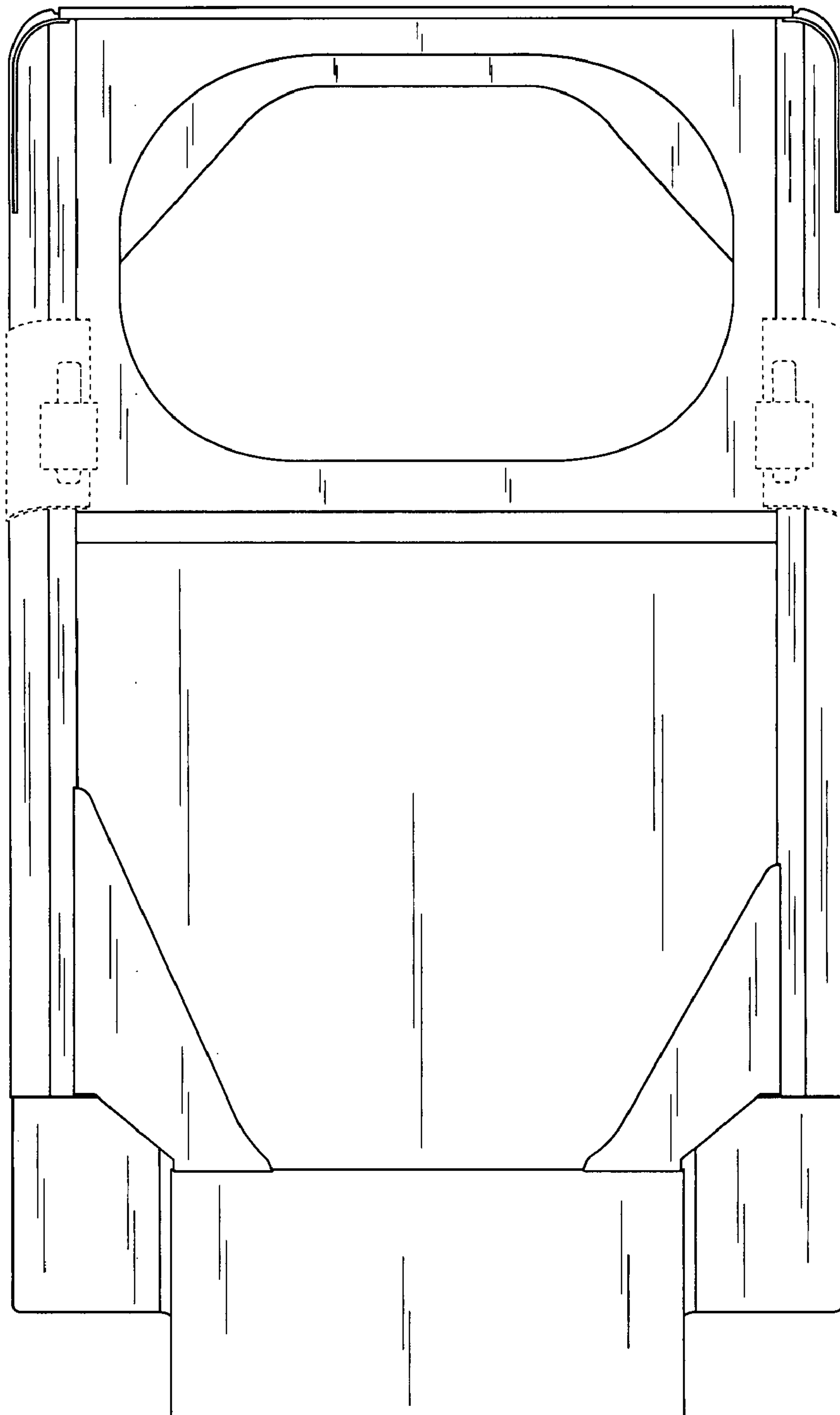


FIG. 4.

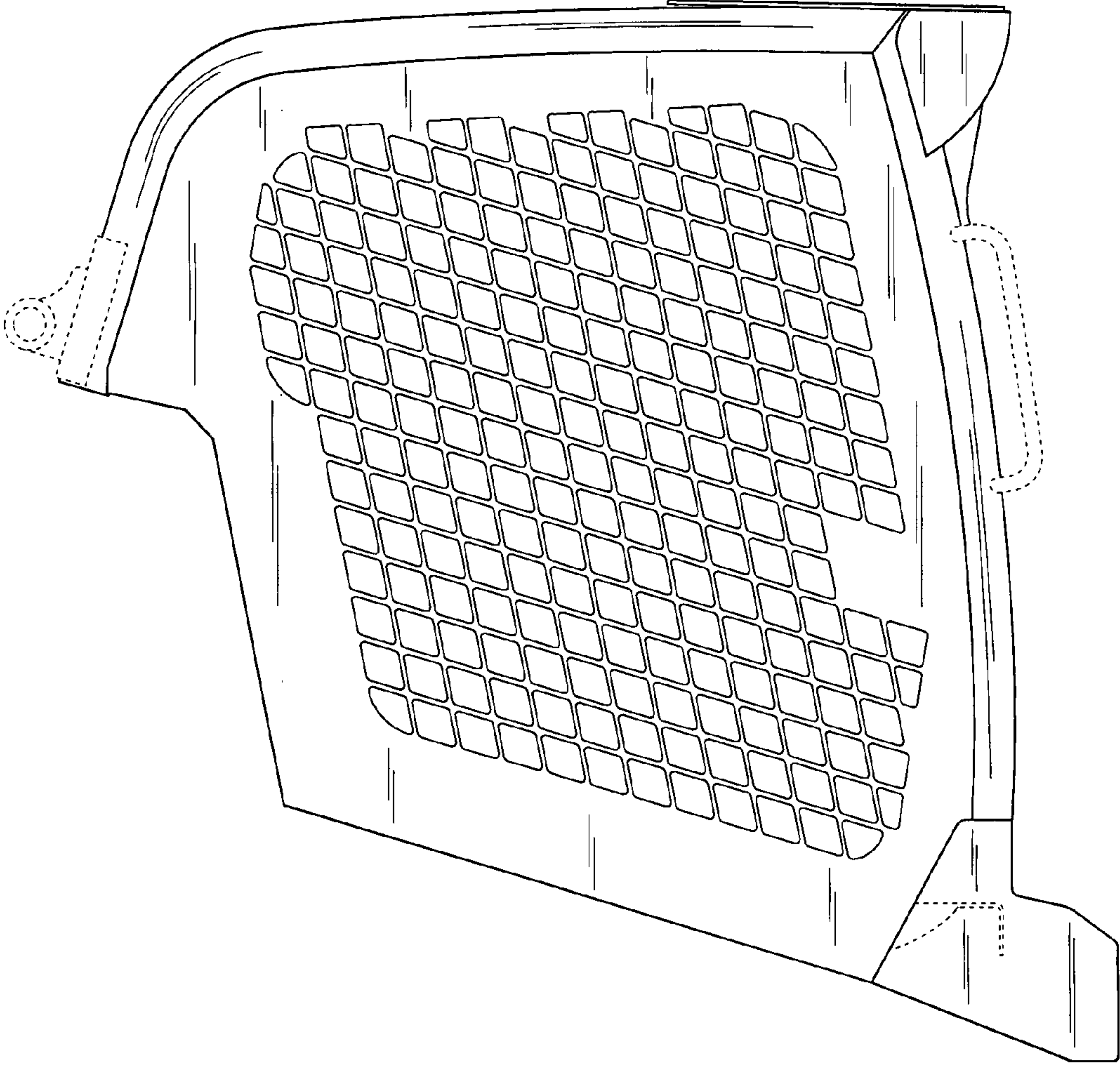


FIG. 5.

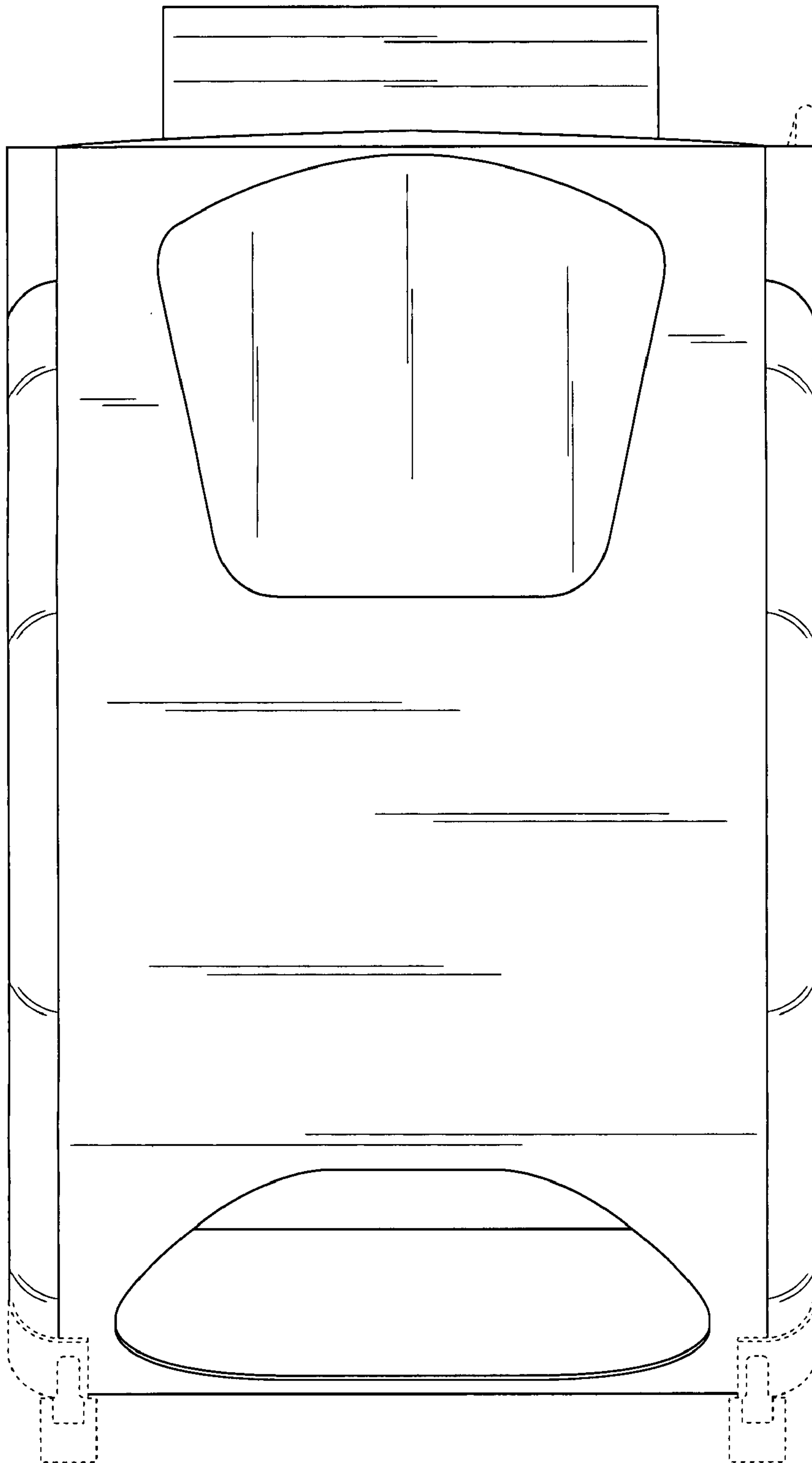


FIG. 6.

