



US00D553158S

(12) **United States Design Patent** (10) **Patent No.:** **US D553,158 S**  
**Caito** (45) **Date of Patent:** **\*\* Oct. 16, 2007**

(54) **COMPACT COMPRESSOR DEVICE**

*Primary Examiner*—Ralf Seifert

(75) Inventor: **Vince Caito**, Pomona, CA (US)

(74) *Attorney, Agent, or Firm*—Fulwider Patton LLP

(73) Assignee: **Alltrade Tools LLC**, Long Beach, CA (US)

(57) **CLAIM**

(\*\*) Term: **14 Years**

The new ornamental design of a compact compressor device, as shown and described.

(21) Appl. No.: **29/267,358**

(22) Filed: **Oct. 12, 2006**

**DESCRIPTION**

**Related U.S. Application Data**

(63) Continuation-in-part of application No. 29/245,564, filed on Dec. 22, 2005, now Pat. No. Des. 531,193.

FIG. 1 is a perspective view, depicting a compact compressor device;

(51) **LOC (8) Cl.** ..... **15-02**

FIG. 2 is an elevation view, depicting a rear side of the compact compressor device of FIG. 1;

(52) **U.S. Cl.** ..... **D15/9**

FIG. 3 is an elevation view, depicting a left side of the compact compressor device of FIG. 1;

(58) **Field of Classification Search** ..... D15/7-9;  
D23/232, 231; 417/359, 415-416, 410.1,  
417/321, 265, 405

FIG. 4 is an elevation view, depicting a right side of the compact compressor device of FIG. 1;

See application file for complete search history.

FIG. 5 is a top view, depicting an upper side of the compact compressor device of FIG. 1; and,

(56) **References Cited**

FIG. 6 is a bottom view, depicting an underside of the compact compressor device of FIG. 1.

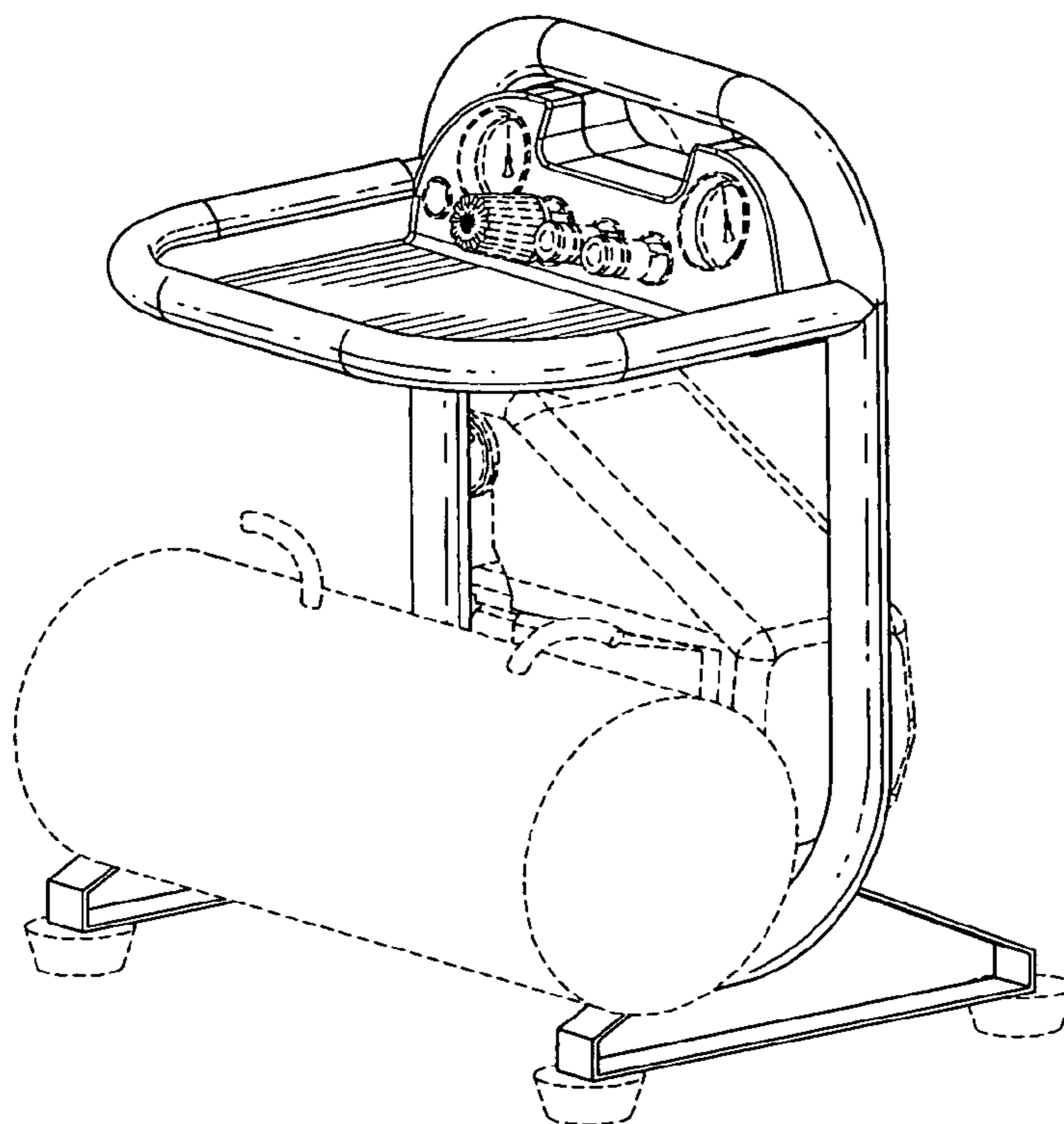
**U.S. PATENT DOCUMENTS**

D513,619 S \* 1/2006 Hernandez et al. .... D15/9  
D531,193 S \* 10/2006 Caito ..... D15/9  
D537,839 S \* 3/2007 Bruno et al. .... D15/7

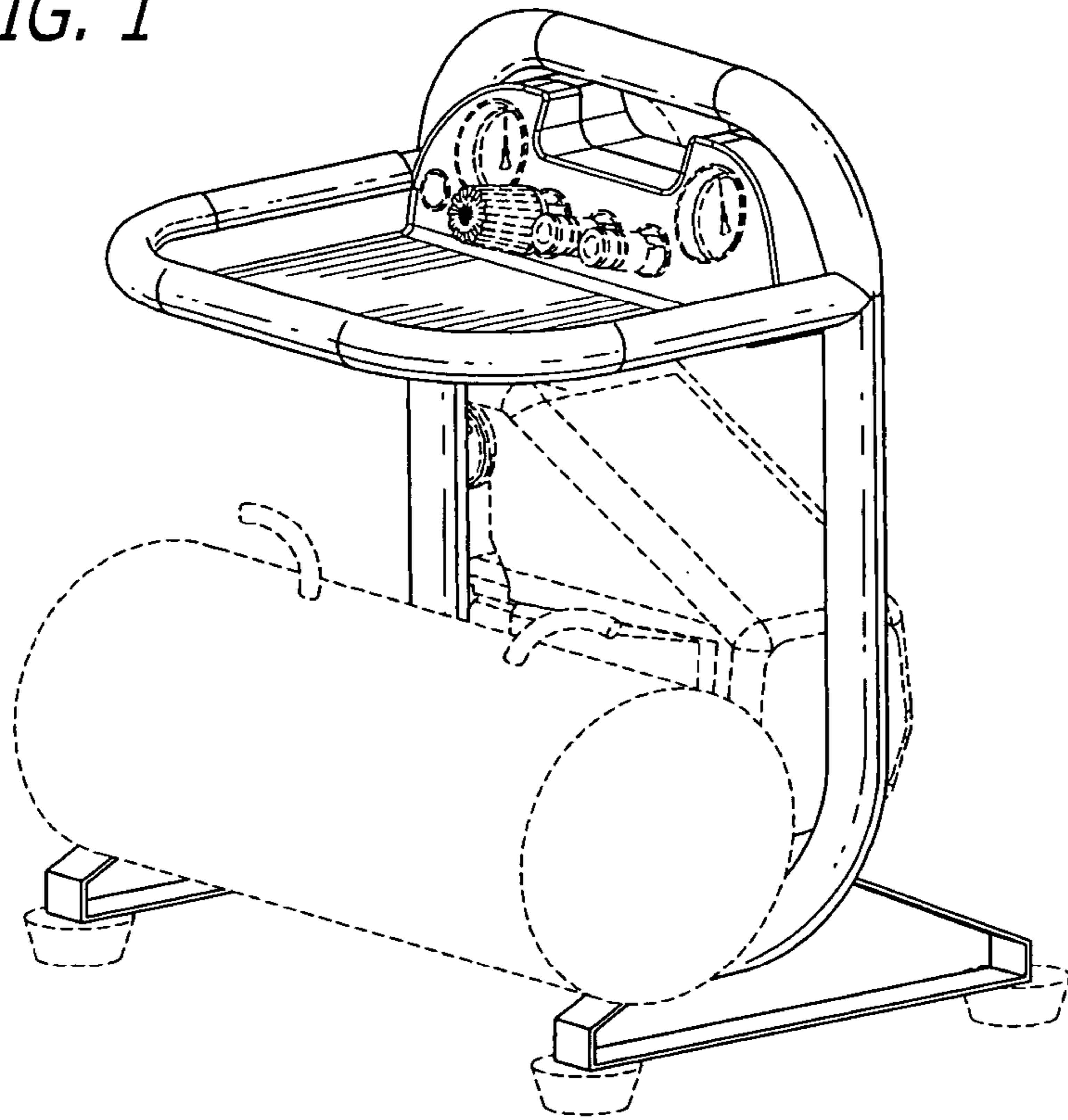
It being understood that the broken lines are for illustrative purposes only and form no part of the claimed design.

\* cited by examiner

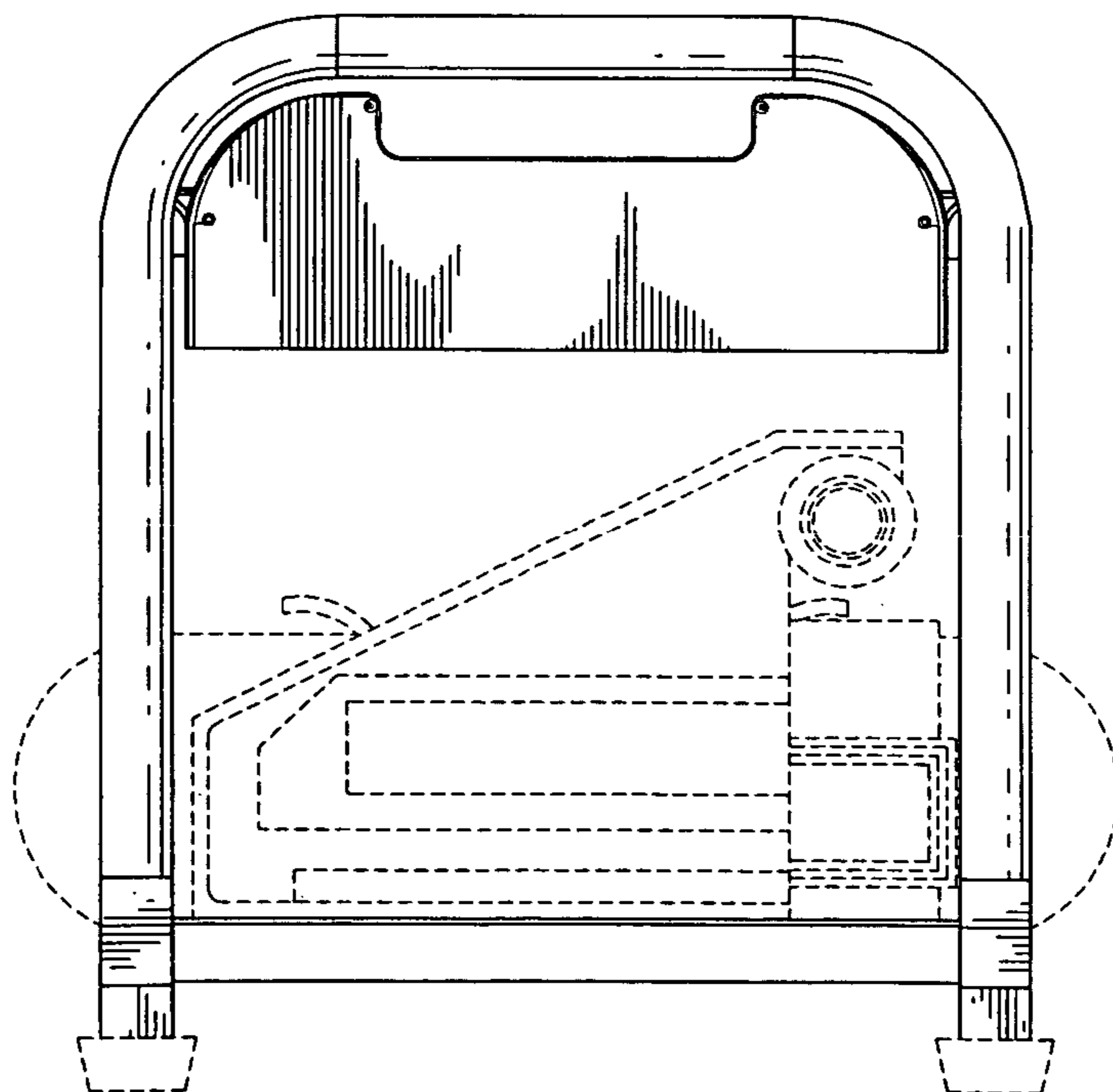
**1 Claim, 3 Drawing Sheets**



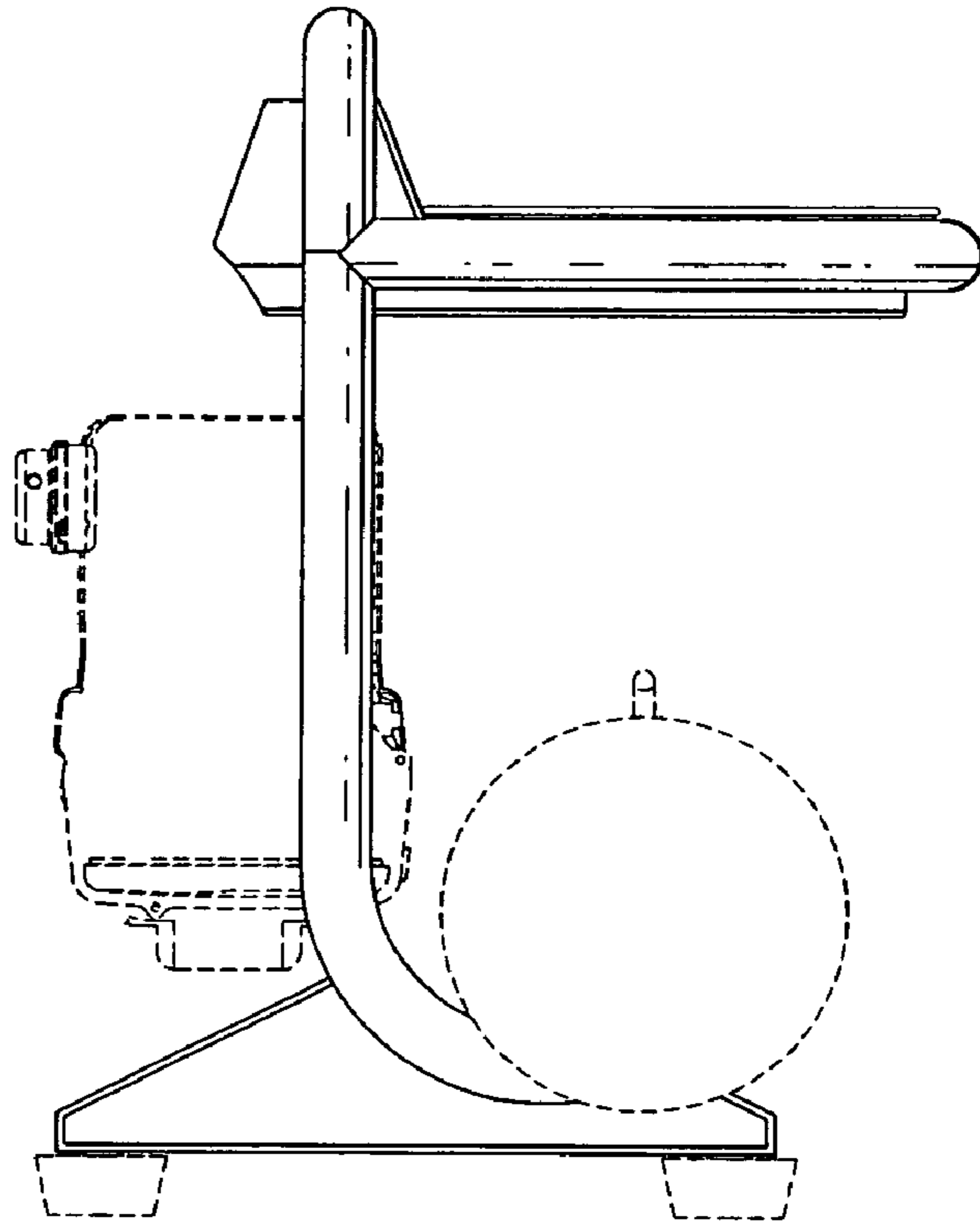
*FIG. 1*



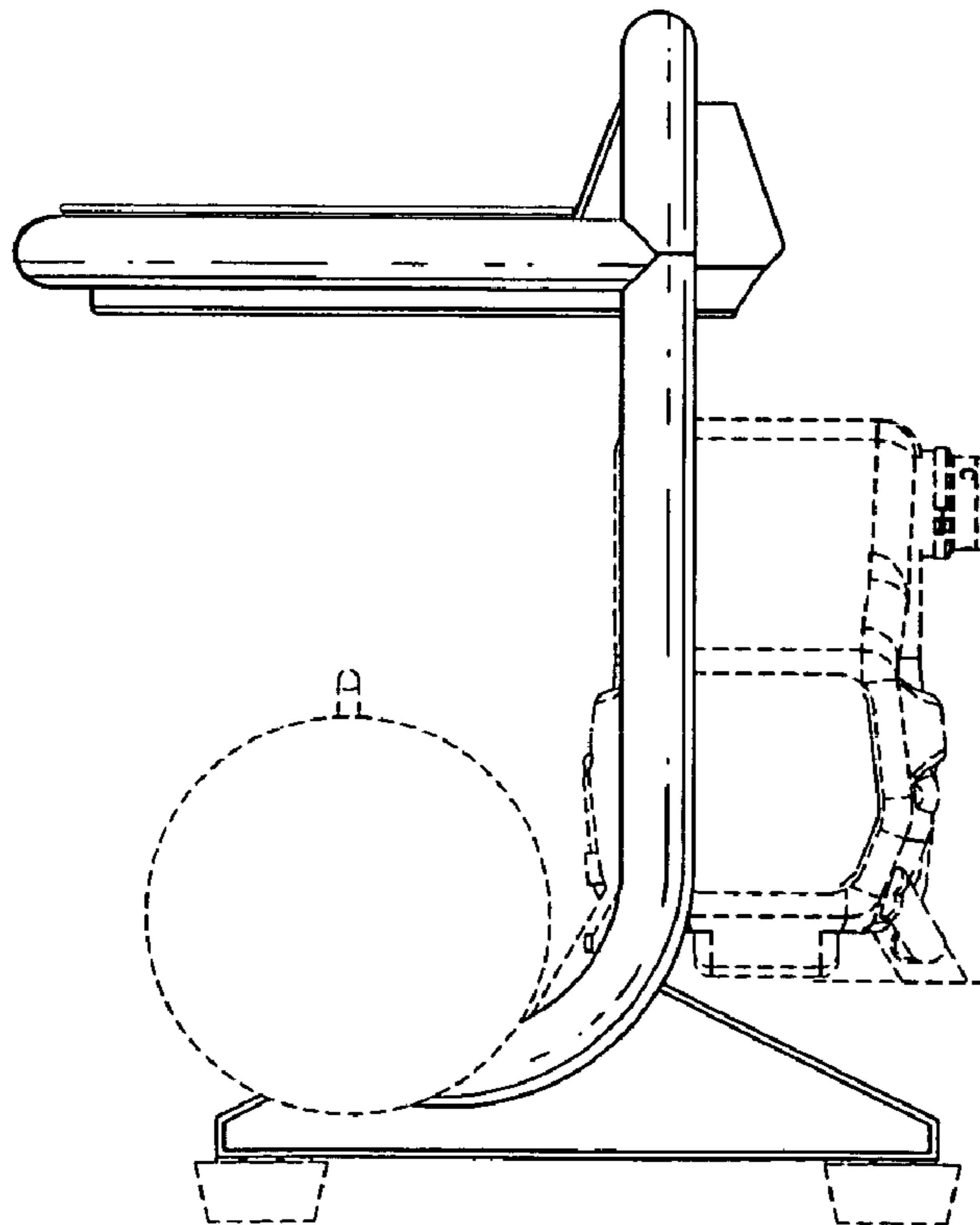
*FIG. 2*



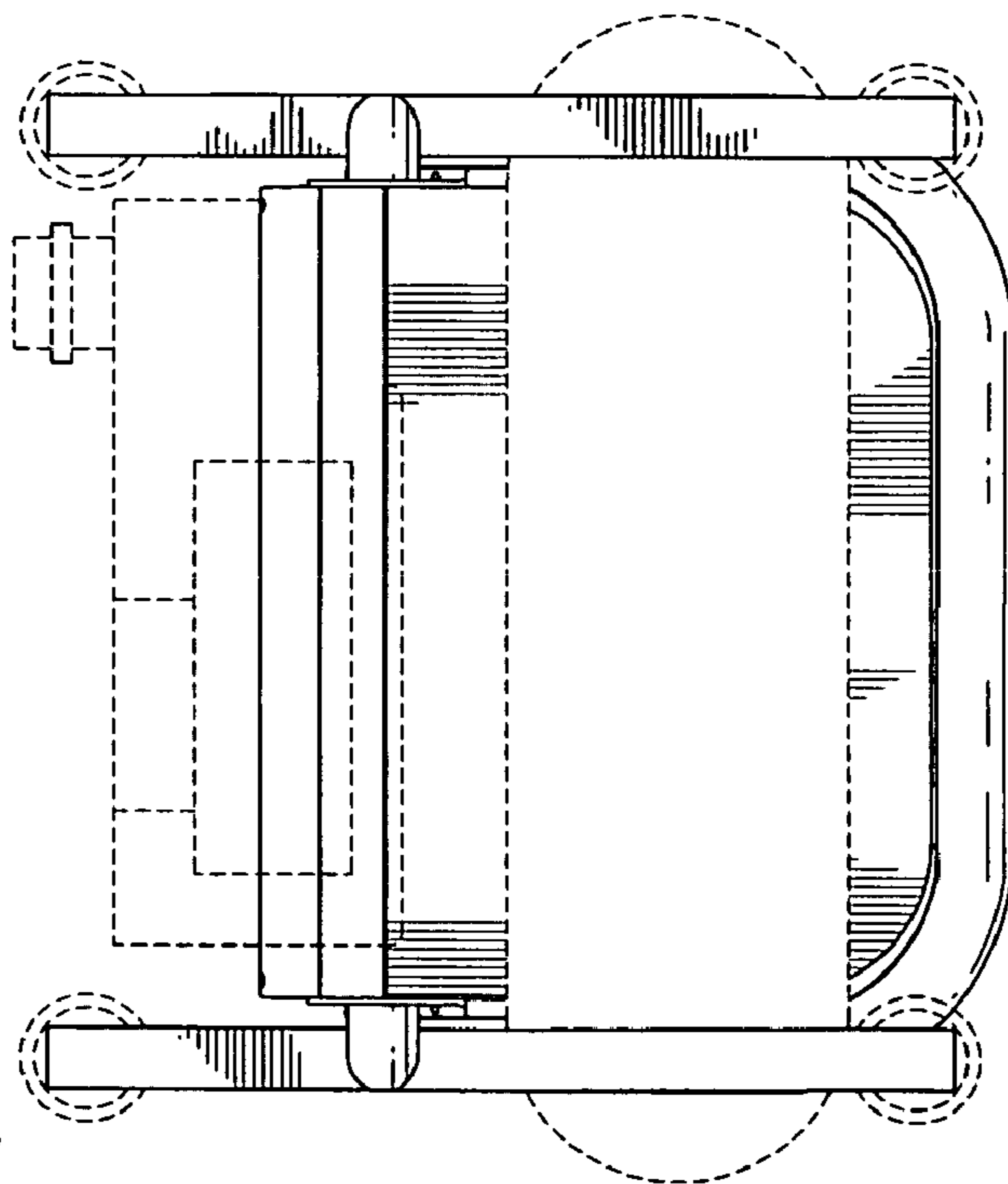
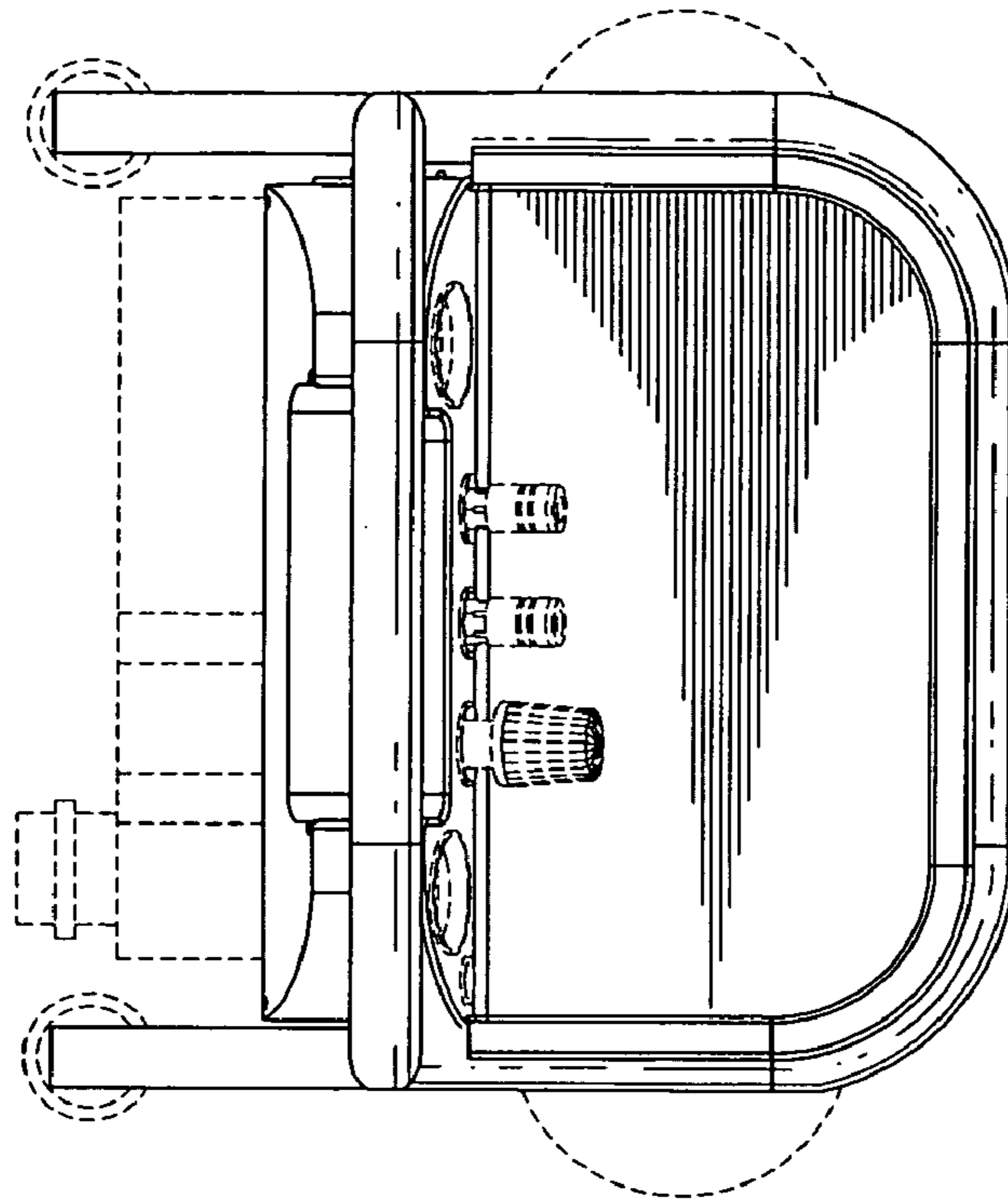
*FIG. 3*



*FIG. 4*



*FIG. 5*



*FIG. 6*