



US00D553157S

(12) **United States Design Patent**
Busschaert

(10) **Patent No.:** **US D553,157 S**

(45) **Date of Patent:** **** Oct. 16, 2007**

(54) **SHROUD**

(75) Inventor: **Jason F. Busschaert**, Towson, MD
(US)

(73) Assignee: **Black & Decker Inc.**, Newark, DE
(US)

(**) Term: **14 Years**

(21) Appl. No.: **29/253,710**

(22) Filed: **Feb. 10, 2006**

(51) **LOC (8) Cl.** **15-02**

(52) **U.S. Cl.** **D15/7**

(58) **Field of Classification Search** D15/1,
D15/3, 5, 13-17, 7-9; 123/41.7, 50 A, 50 B,
123/50 R, 65 R, 70 R, 306, 308, 661, 667,
123/198 E; D23/231-232; 417/359, 415,
417/234, 229, 321, 265, 405, 410.3-410.4
See application file for complete search history.

(56) **References Cited**

U.S. PATENT DOCUMENTS

- D322,790 S * 12/1991 Bekius D15/7
- D331,929 S * 12/1992 Leaf et al. D15/1
- D352,042 S * 11/1994 Davies, III D15/17
- D352,048 S * 11/1994 Goebel D15/126
- 6,431,839 B2 * 8/2002 Gruber et al. 417/234
- D466,905 S * 12/2002 Neeley et al. D15/1

- D468,751 S * 1/2003 Neeley et al. D15/1
- D471,560 S * 3/2003 Davis D15/1
- D515,102 S * 2/2006 Buck D15/7

* cited by examiner

Primary Examiner—Ian Simmons

Assistant Examiner—Maurice Stevens

(74) *Attorney, Agent, or Firm*—Wesley W. Muller; Bruce Shapiro

(57) **CLAIM**

The ornamental design for a shroud, as shown and described.

DESCRIPTION

FIG. 1 is a perspective view of a shroud according to the present invention;

FIG. 2 is a bottom view of the shroud of FIG. 1;

FIG. 3 is a top view of the shroud of FIG. 1;

FIG. 4 is a left side view of the shroud of FIG. 1;

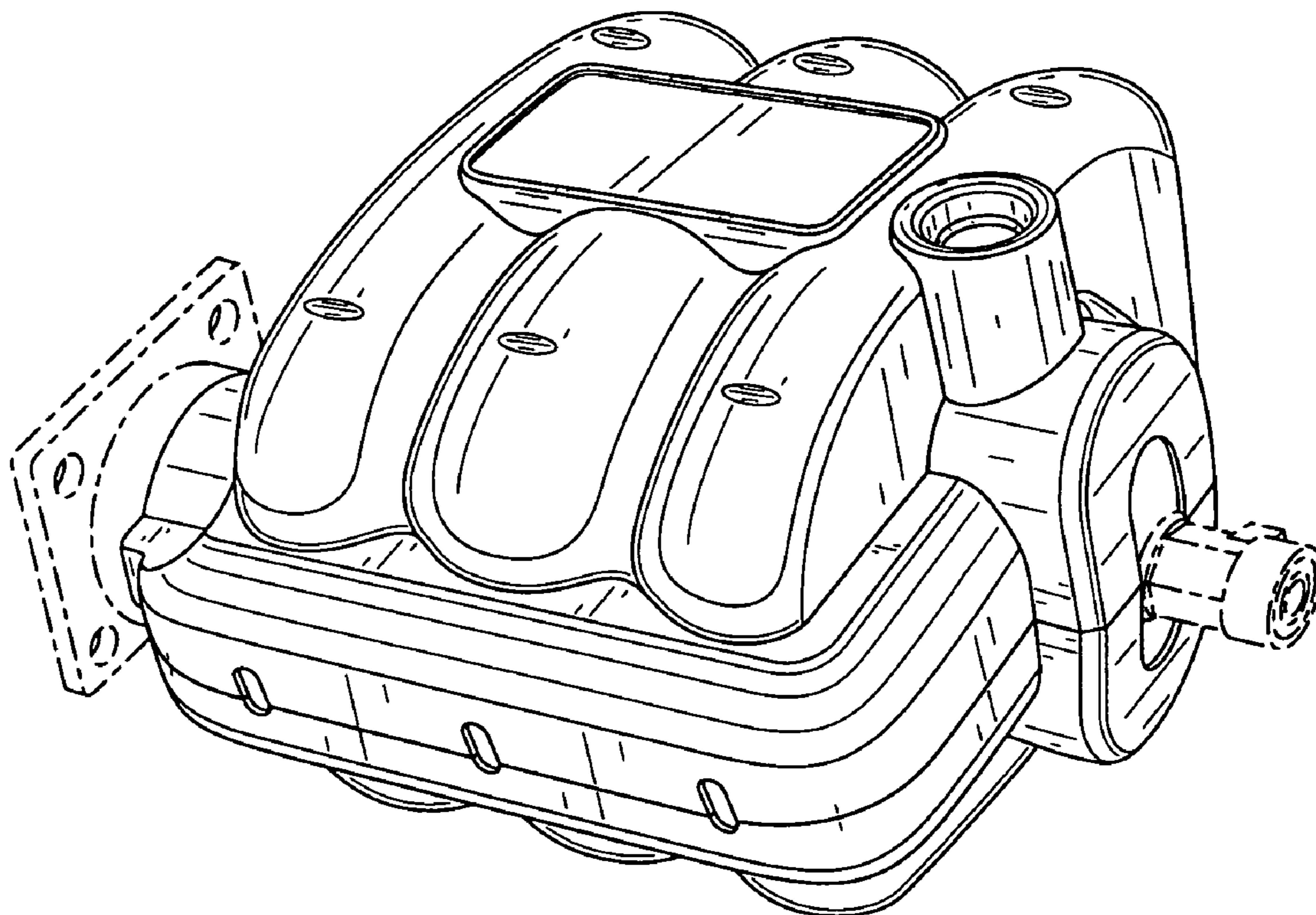
FIG. 5 is a right side view of the shroud of FIG. 1;

FIG. 6 is an elevated front view of the shroud of FIG. 1; and,

FIG. 7 is an elevated rear view of the shroud of FIG. 1.

The broken lines in the figures merely illustrate the environment for the shroud of the present design and therefore form no part of the claimed design.

1 Claim, 5 Drawing Sheets



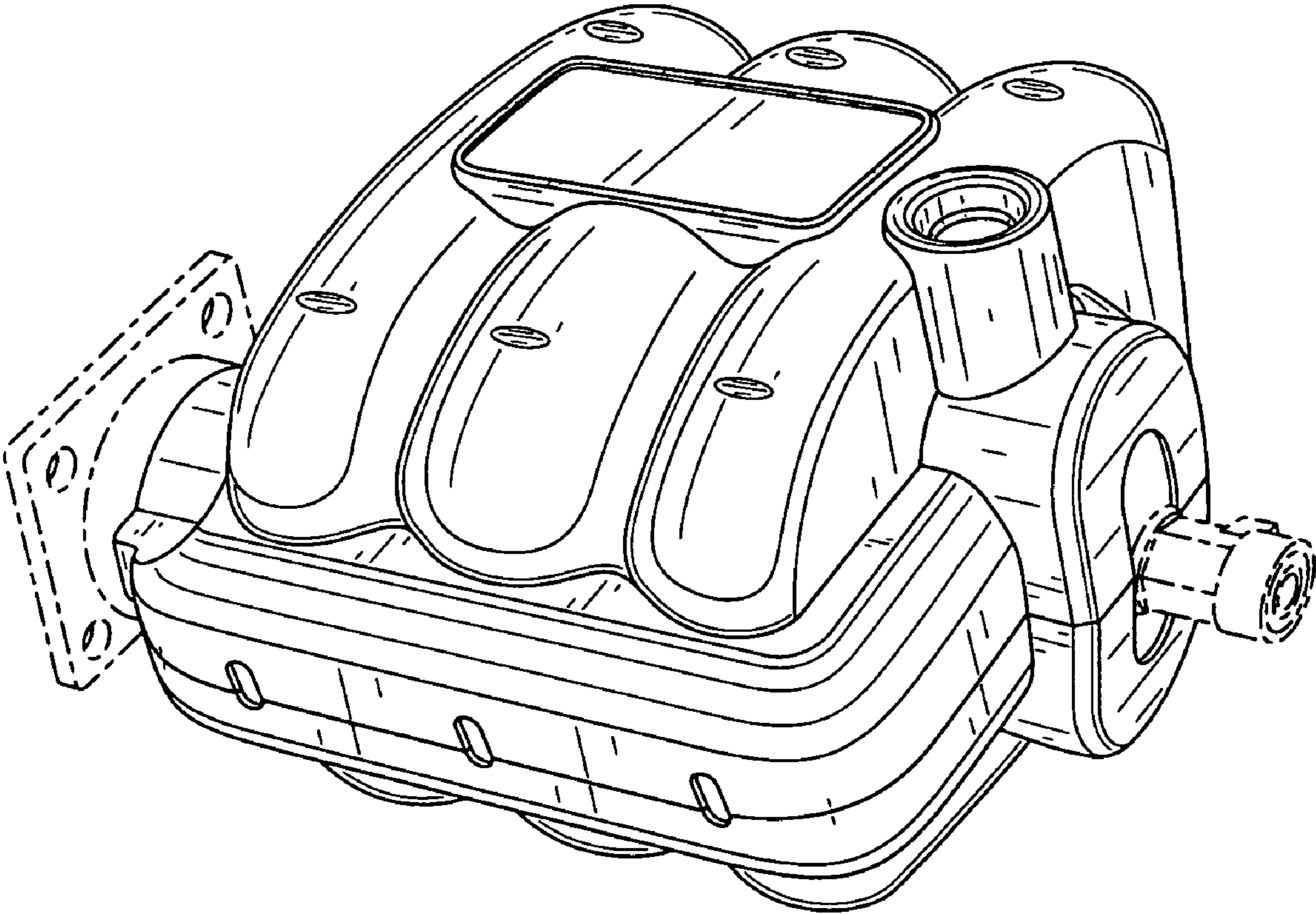


FIG. 1

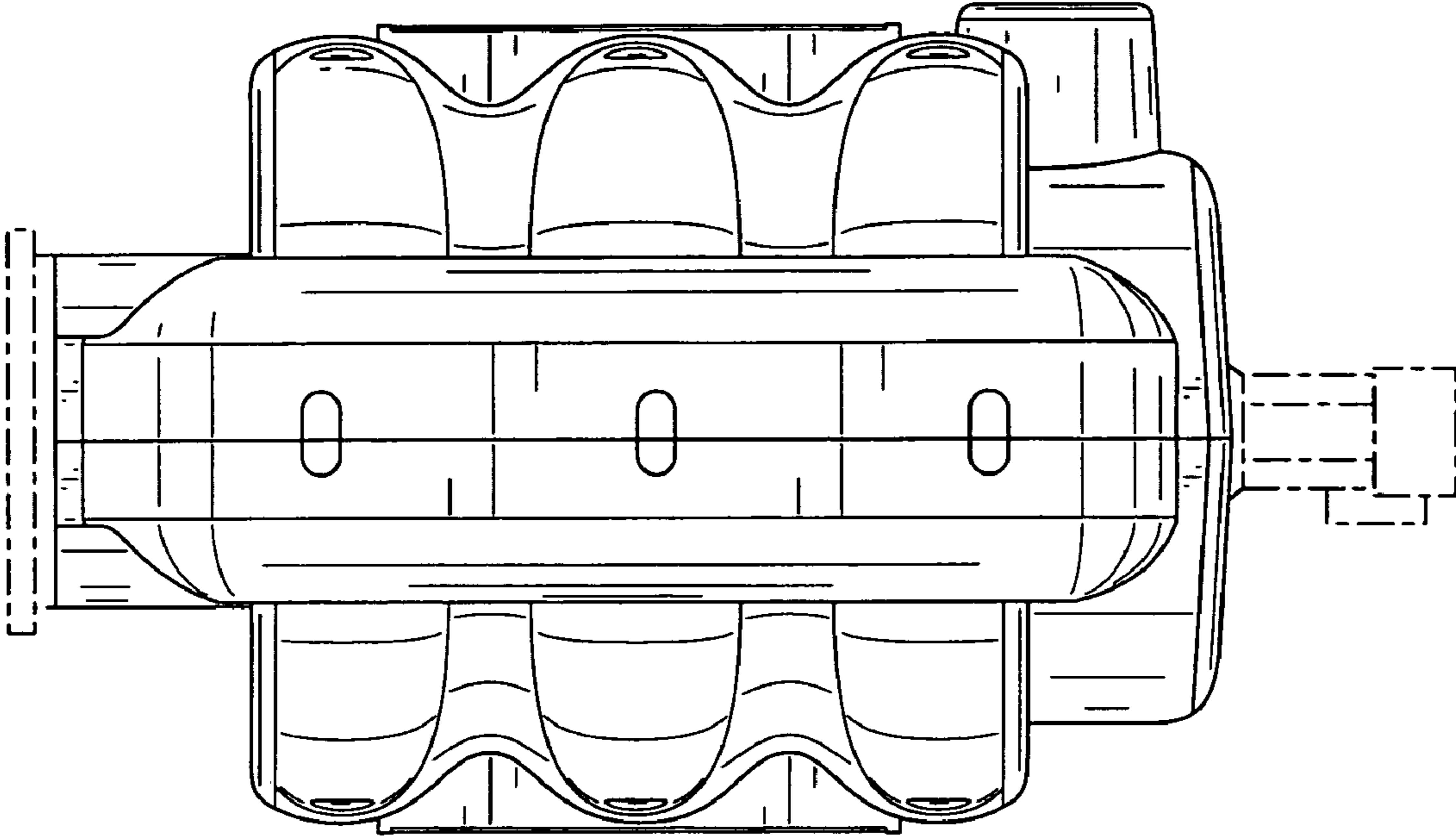


FIG. 2

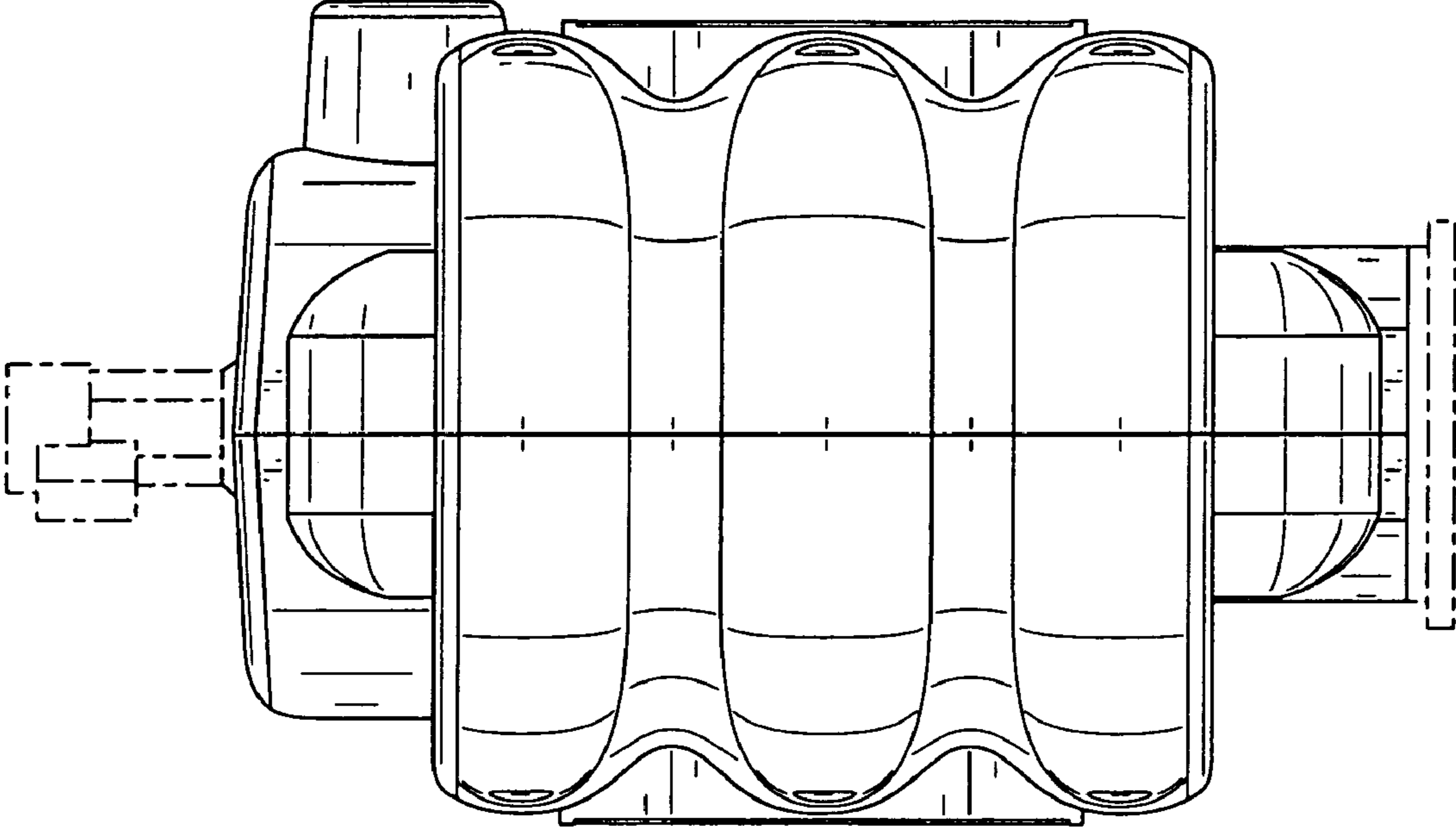


FIG. 3

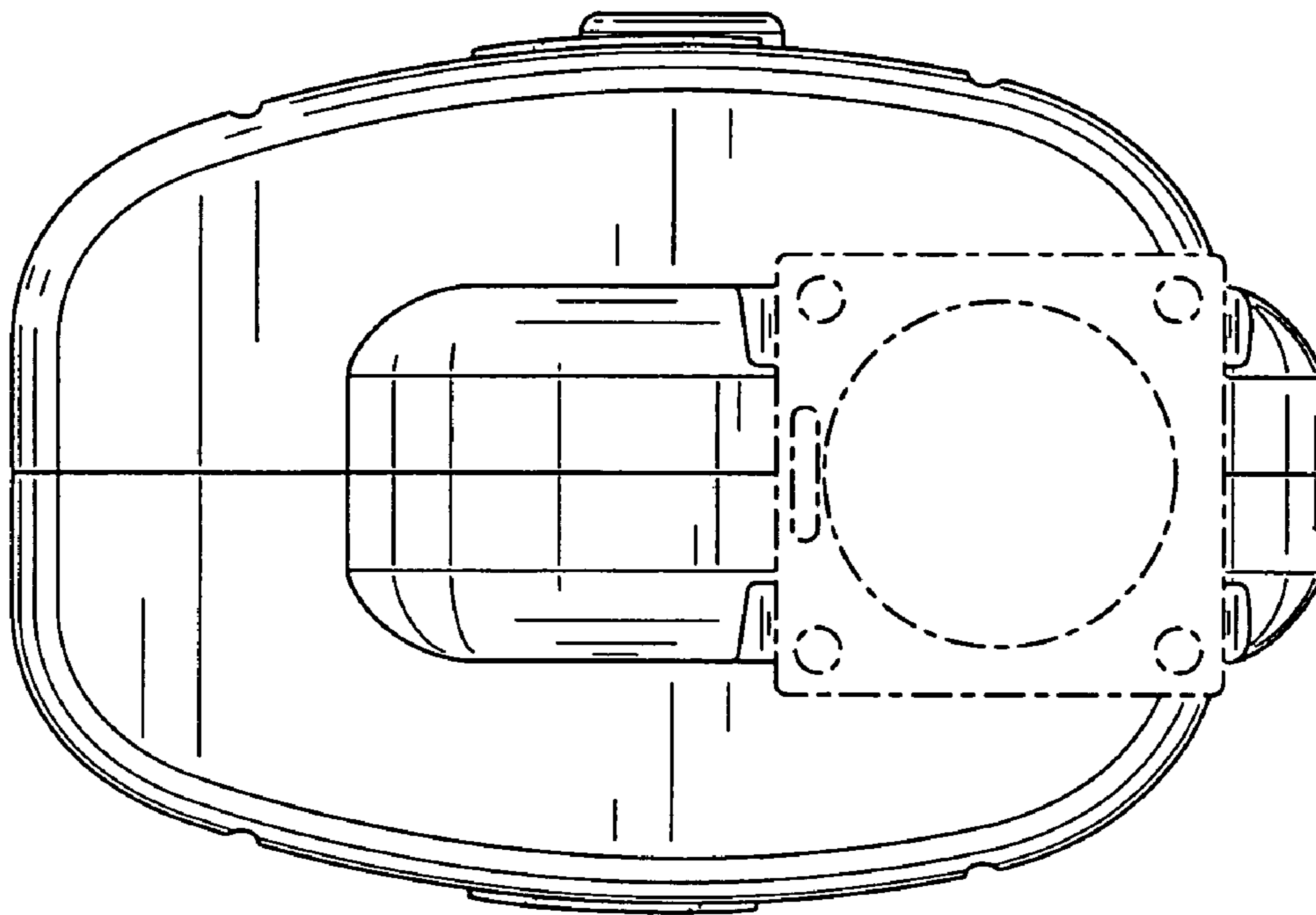


FIG. 4

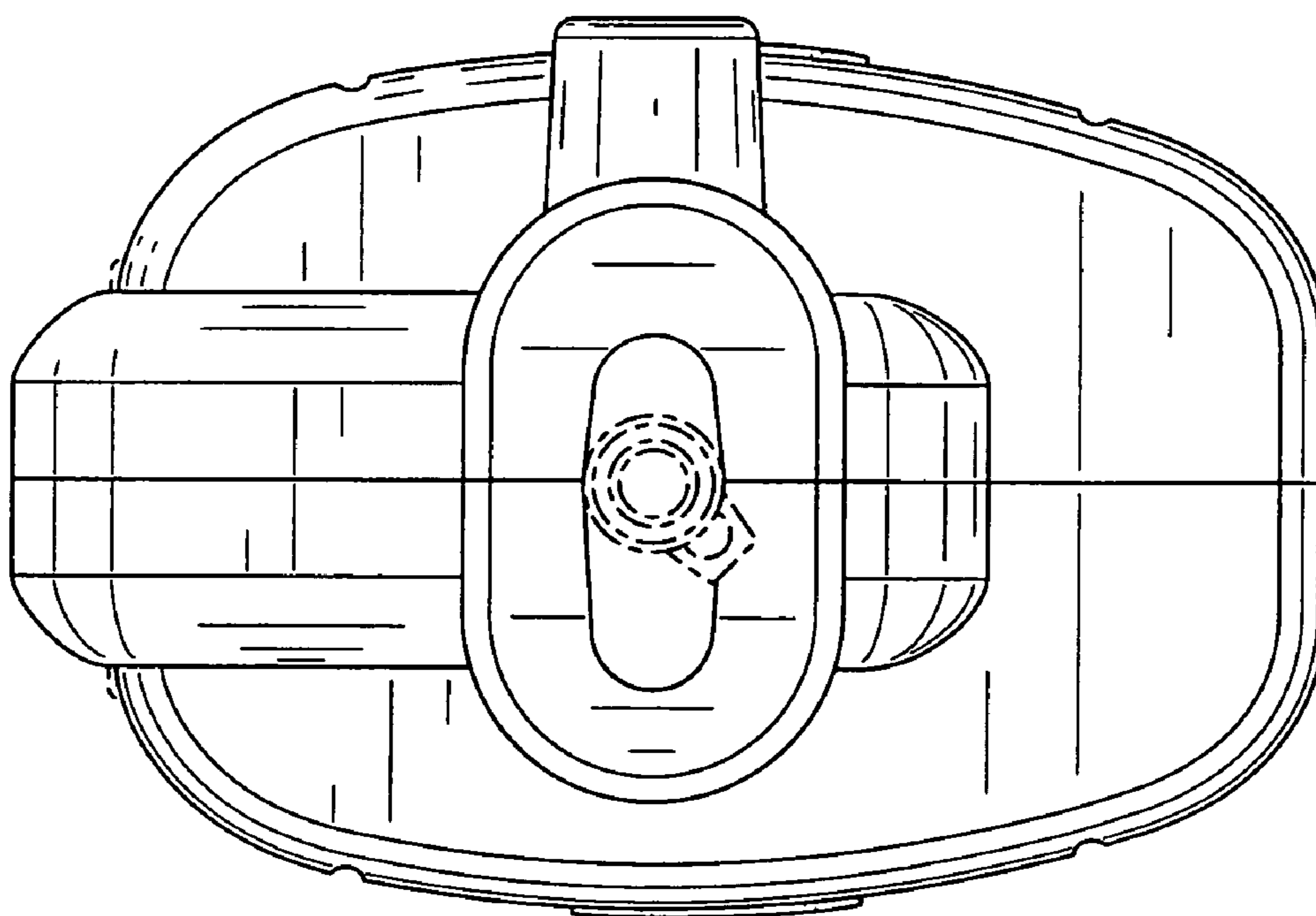


FIG. 5

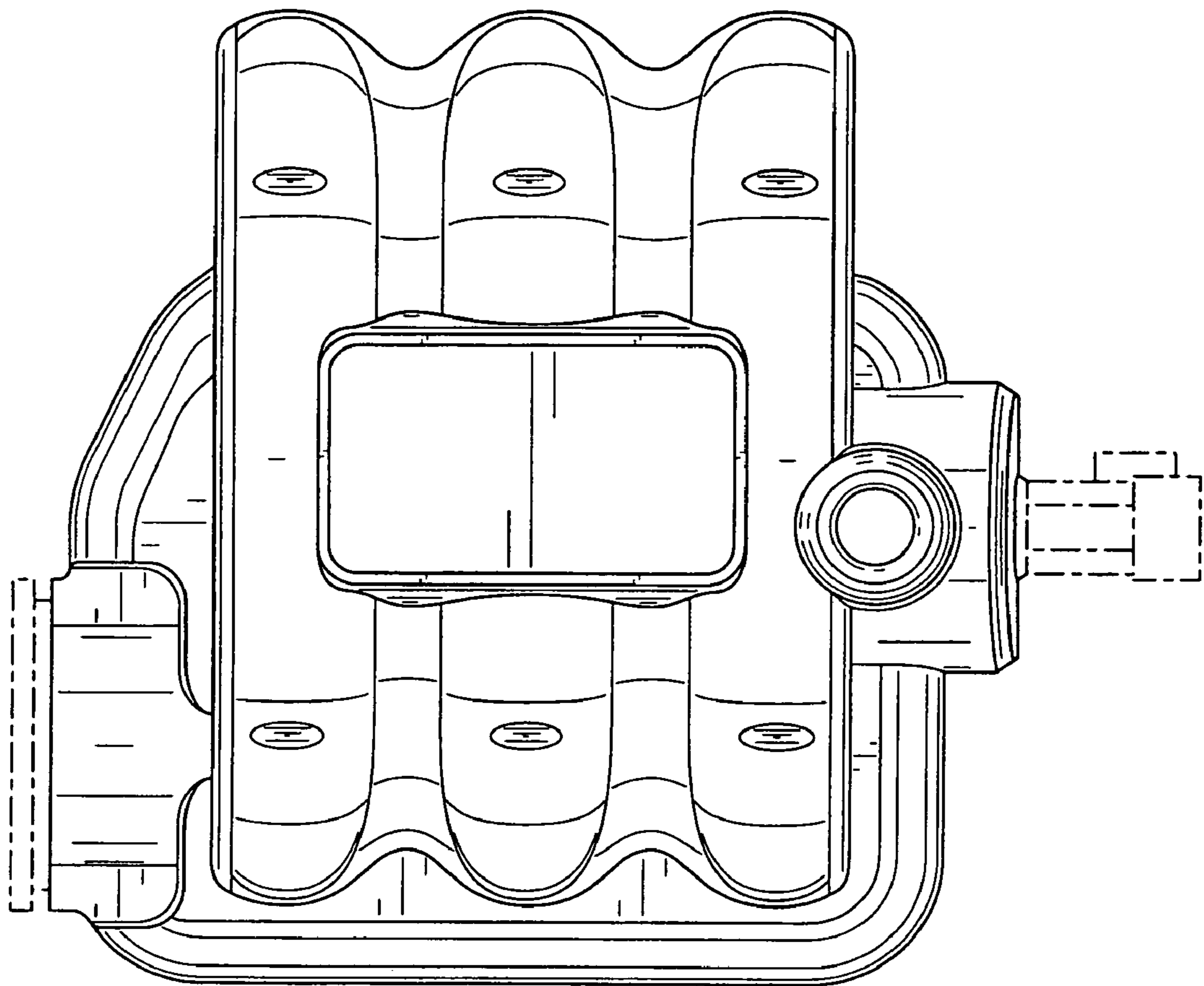


FIG. 6

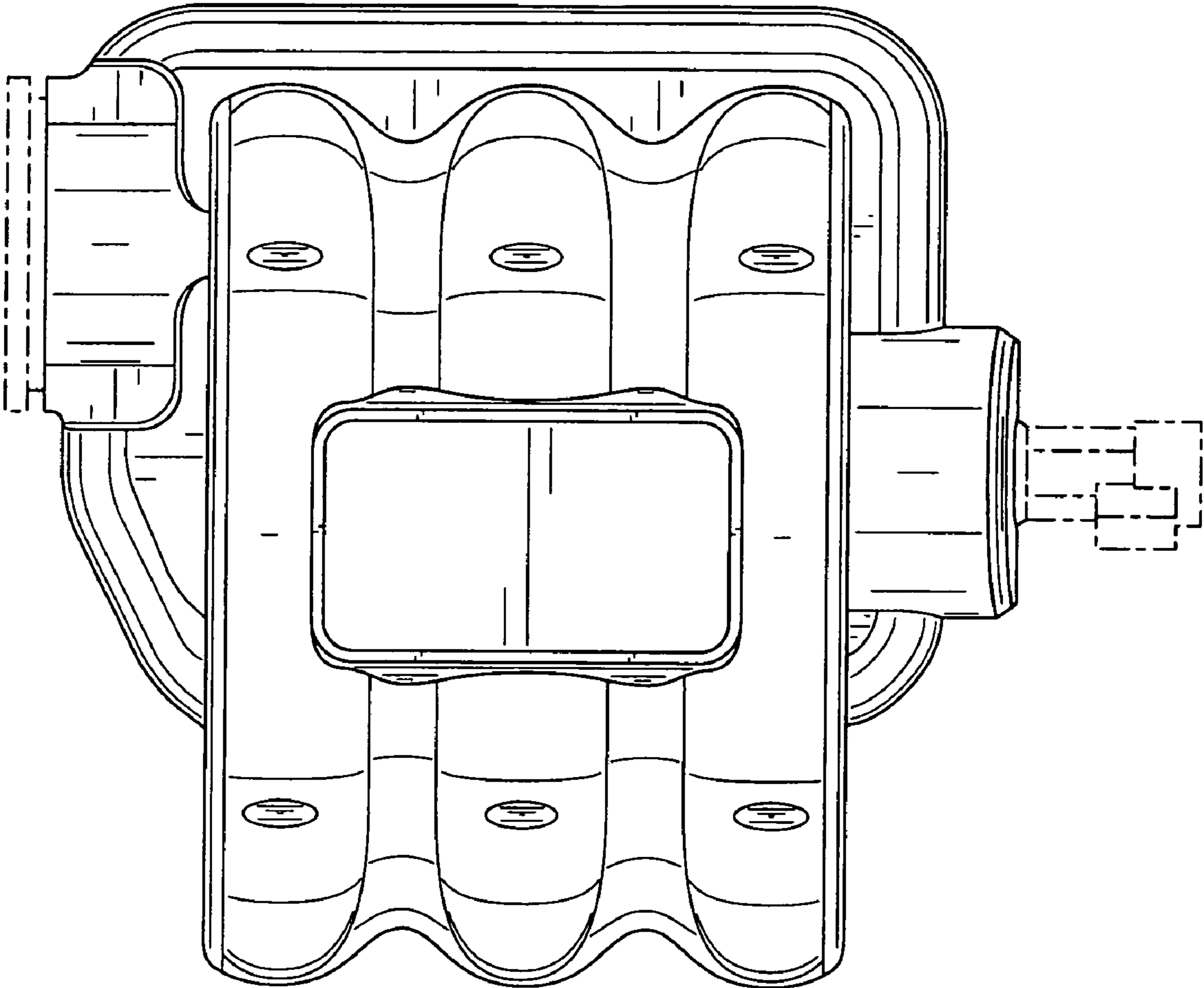


FIG. 7