



US00D553156S

(12) **United States Design Patent**  
**Nimberger**

(10) **Patent No.:** **US D553,156 S**

(45) **Date of Patent:** **\*\* Oct. 16, 2007**

(54) **5 VALVE PORT MANIFOLD**

D535,722 S \* 1/2007 Nimberger ..... D23/233

(75) Inventor: **Spencer M. Nimberger**, Houston, TX  
(US)

\* cited by examiner

(73) Assignee: **PGI International, Ltd.**, Houston, TX  
(US)

*Primary Examiner*—Alan P. Douglas

*Assistant Examiner*—Maurice Stevens

(74) *Attorney, Agent, or Firm*—Browning Bushman P.C.

(\*\*) Term: **14 Years**

(57) **CLAIM**

(21) Appl. No.: **29/264,966**

The ornamental design for a 5 valve port manifold, as shown and described.

(22) Filed: **Aug. 22, 2006**

**DESCRIPTION**

(51) **LOC (8) Cl.** ..... **15-01**

FIG. 1 is a perspective view of a 5 valve single flange manifold;

(52) **U.S. Cl.** ..... **D15/5**

FIG. 2 is a top view thereof;

(58) **Field of Classification Search** ..... D15/5;

FIG. 3 is a bottom view thereof;

D23/233, 269, 245; 137/596.13, 596.16,

FIG. 4 is a rear view thereof;

137/597.16, 505.38, 352, 343, 577; D10/96

FIG. 5 is a front view thereof; and,

See application file for complete search history.

FIG. 6 is a right-side view thereof, the left-side view is a mirror image thereof.

(56) **References Cited**

**U.S. PATENT DOCUMENTS**

The broken lines shown in the figures are for illustrative purposes only and form no part of the claimed design.

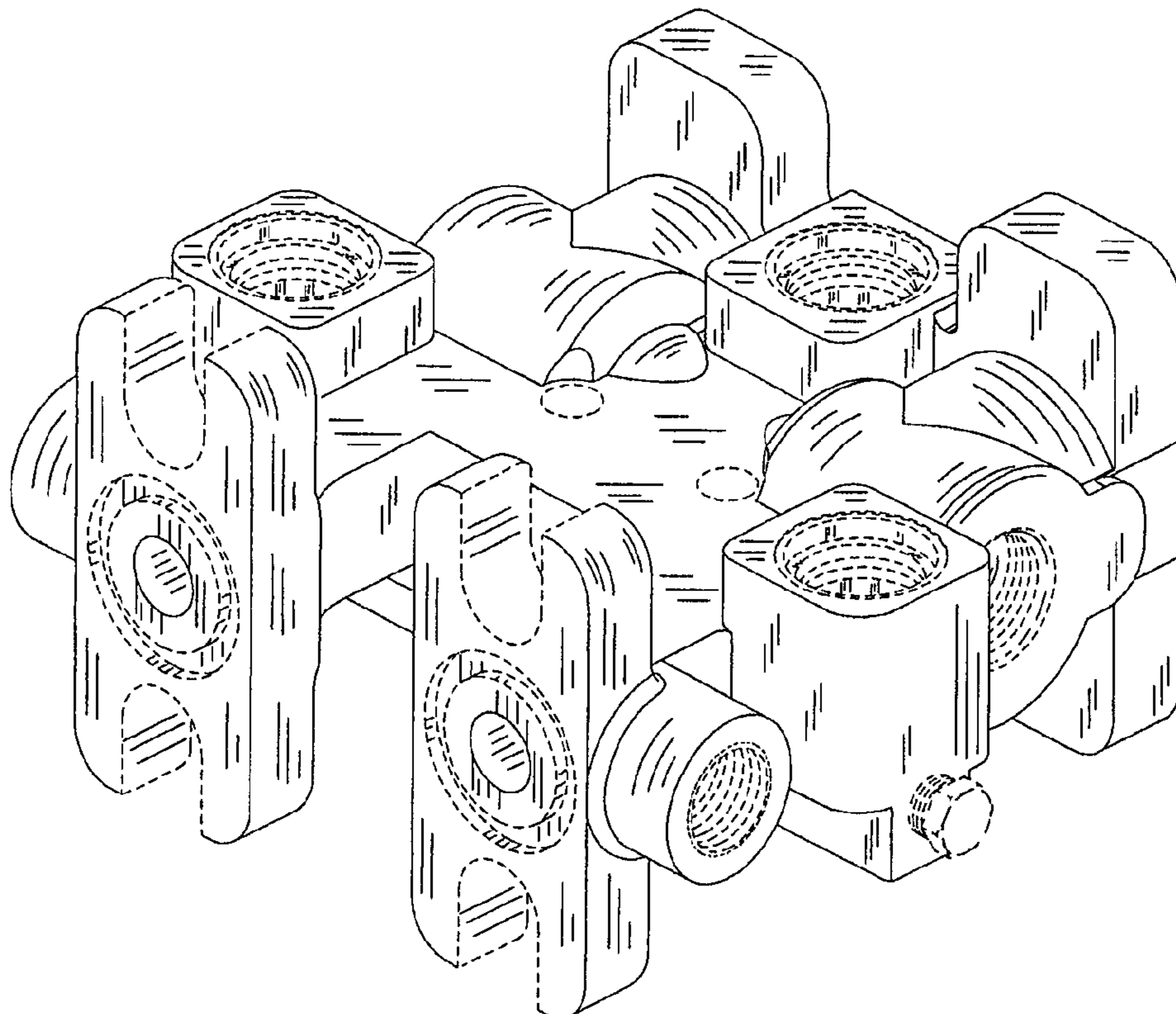
D520,110 S \* 5/2006 Nimberger ..... D23/233

D520,520 S \* 5/2006 Nimberger ..... D15/5

D520,598 S \* 5/2006 Nimberger ..... D23/233

D521,597 S \* 5/2006 Nimberger ..... D23/233

**1 Claim, 6 Drawing Sheets**



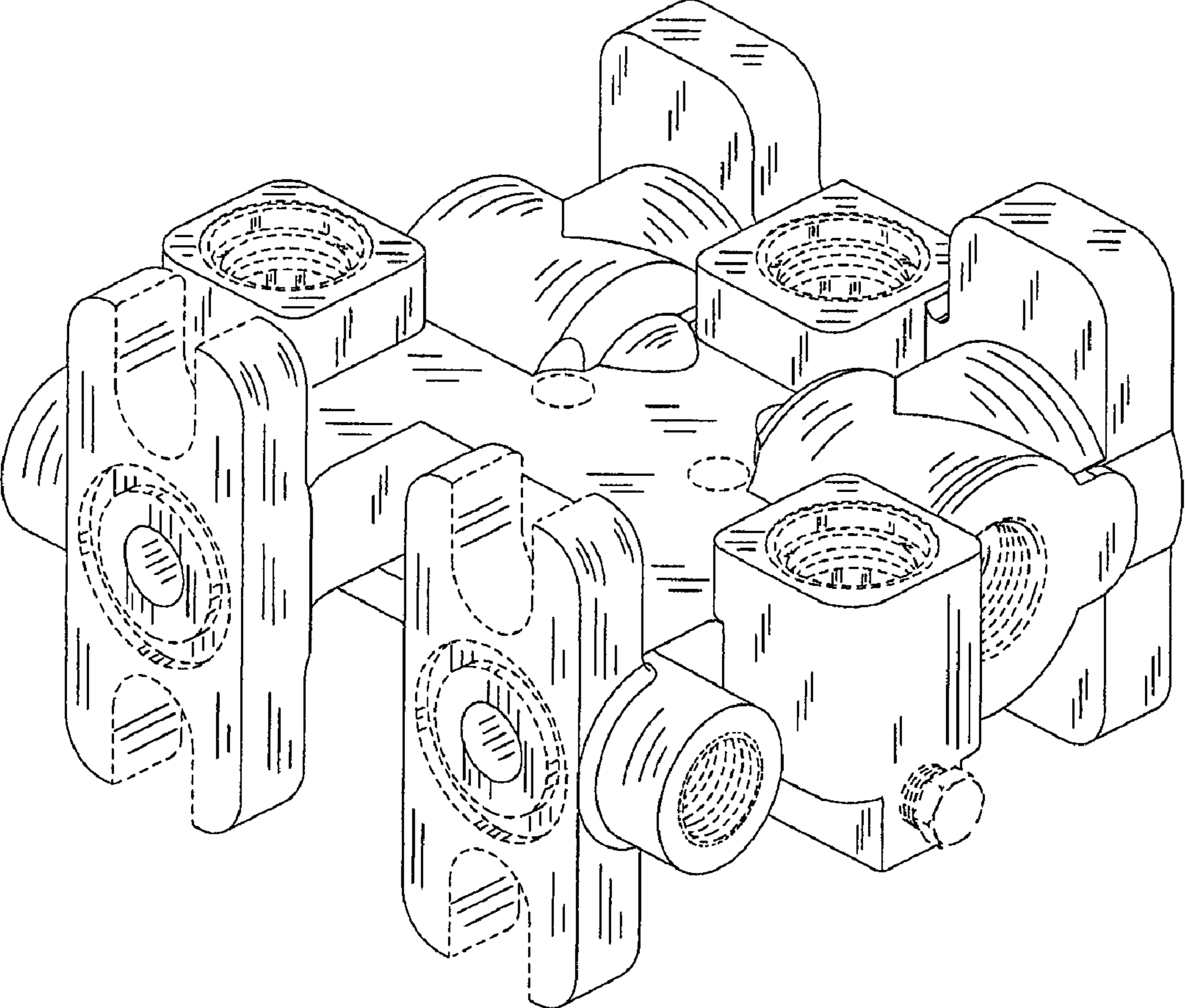


FIG. 1

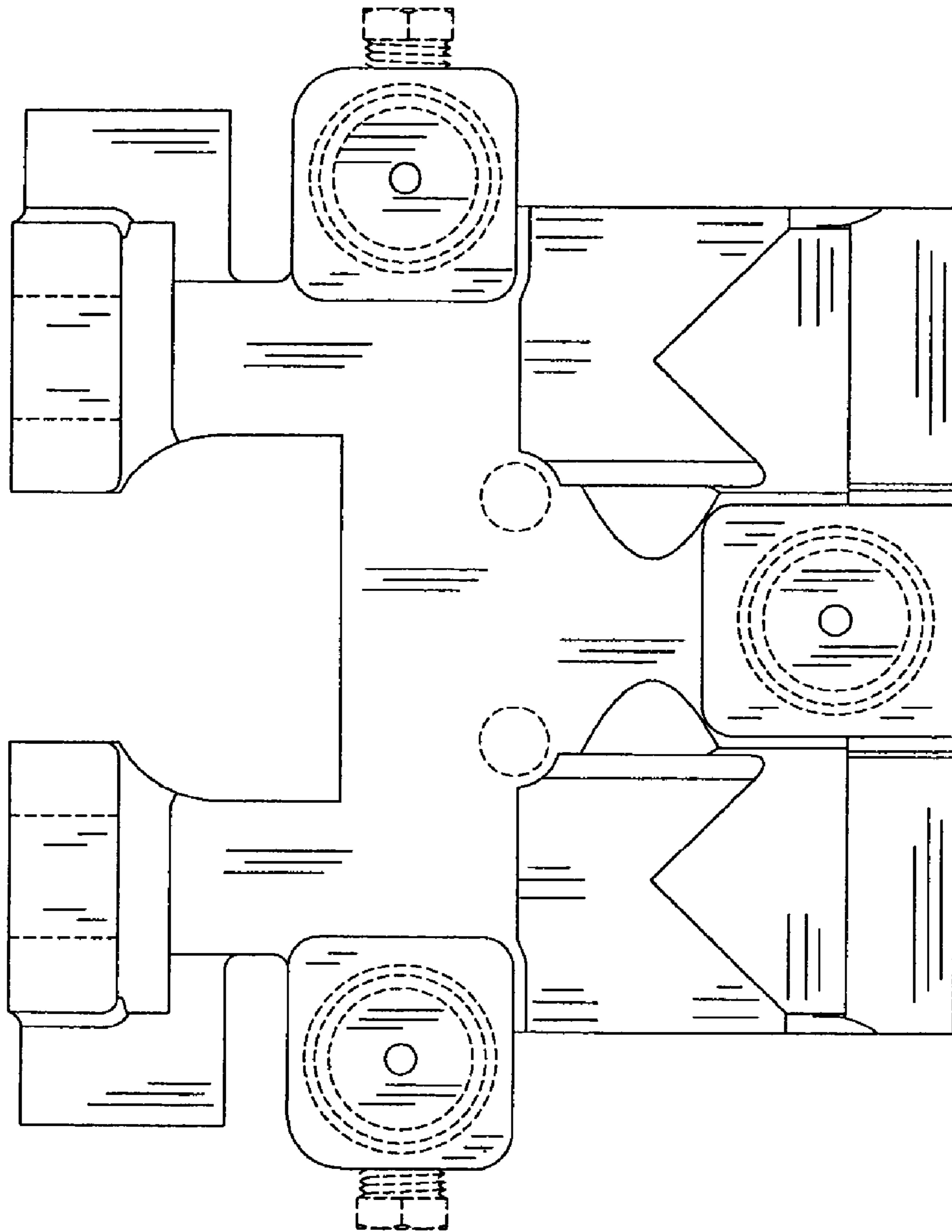


FIG. 2

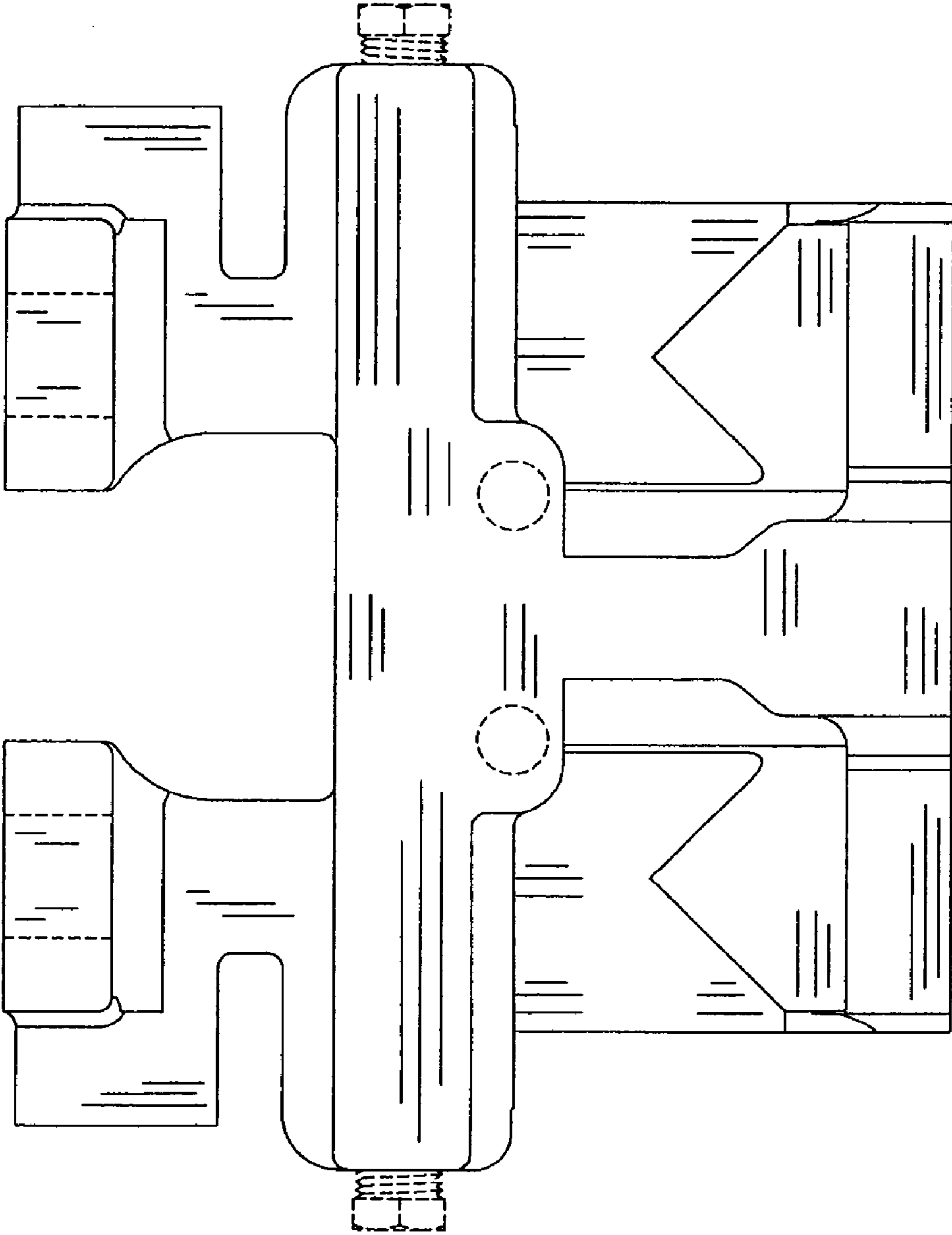


FIG. 3

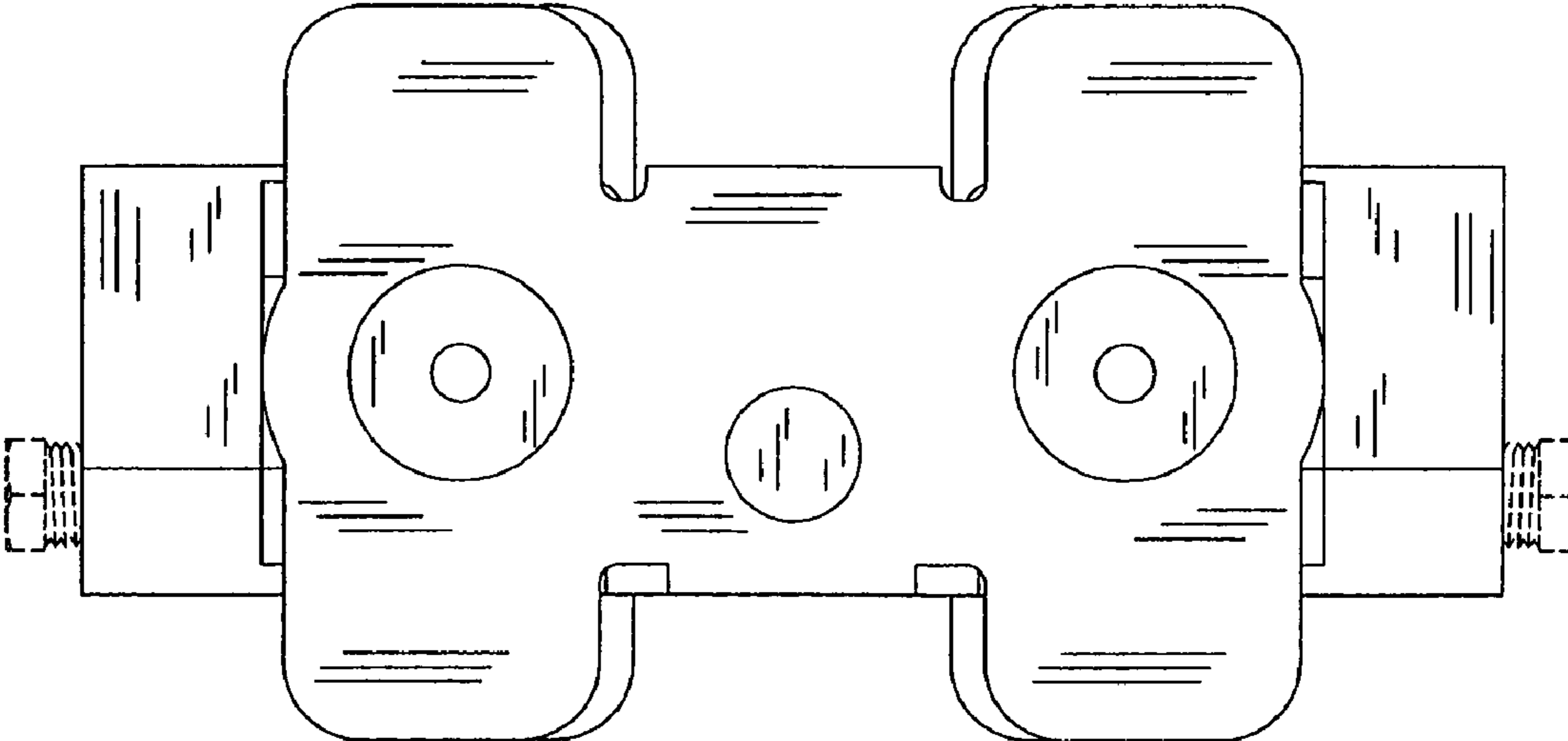


FIG. 4

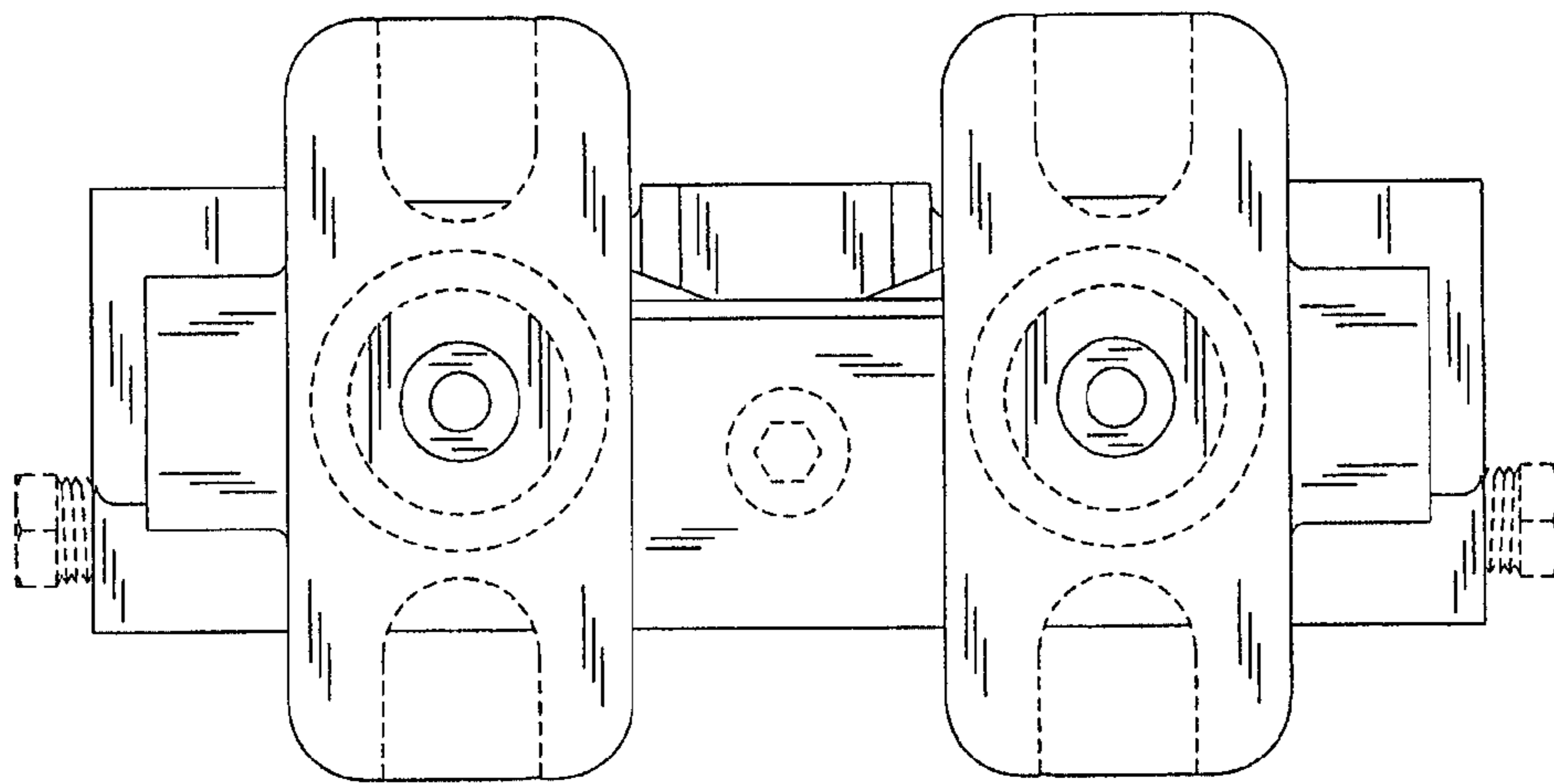


FIG. 5

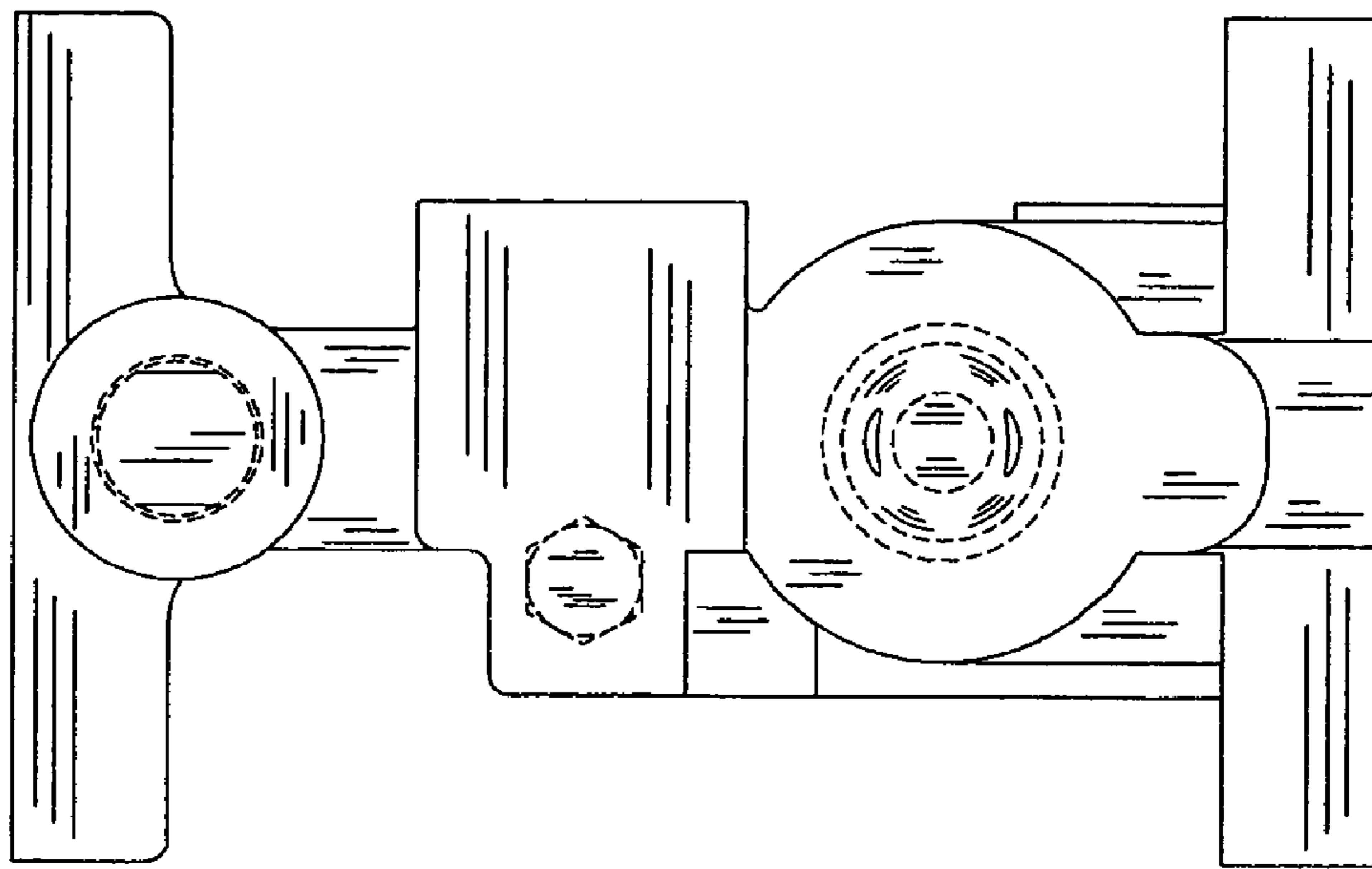


FIG. 6