



US00D553155S

(12) **United States Design Patent**
Kim

(10) **Patent No.:** **US D553,155 S**
(45) **Date of Patent:** **** Oct. 16, 2007**

- (54) **HI-POWER AUDIO SYSTEM**
 - (75) Inventor: **Maria Kim**, Great Neck, NY (US)
 - (73) Assignee: **JWin Electronics Corp.** NY (US)
 - (**) Term: **14 Years**
 - (21) Appl. No.: **29/277,408**
 - (22) Filed: **Feb. 26, 2007**
 - (51) **LOC (8) Cl.** **14-03**
 - (52) **U.S. Cl.** **D14/496**
 - (58) **Field of Classification Search** D14/496,
D14/401, 435, 474, 483, 217, 137, 138, 160,
D14/168; 345/156, 169, 173-179, 905; 715/727-729,
715/864; 455/11.1, 73, 344-347, 93, 95;
370/342-344; 369/1, 2, 6, 12; 463/43-47;
273/148 B
- See application file for complete search history.

- 7,013,164 B2 * 3/2006 Lin 455/557
- D520,519 S * 5/2006 Chin et al. D14/496
- D521,524 S * 5/2006 Chang D14/496
- 7,043,044 B2 * 5/2006 Amid-Hozour 381/388
- D527,016 S * 8/2006 Millora D14/496

* cited by examiner

Primary Examiner—Prabhakar Deshmukh

(57) **CLAIM**

The ornamental design for hi-power audio system, as shown and described.

DESCRIPTION

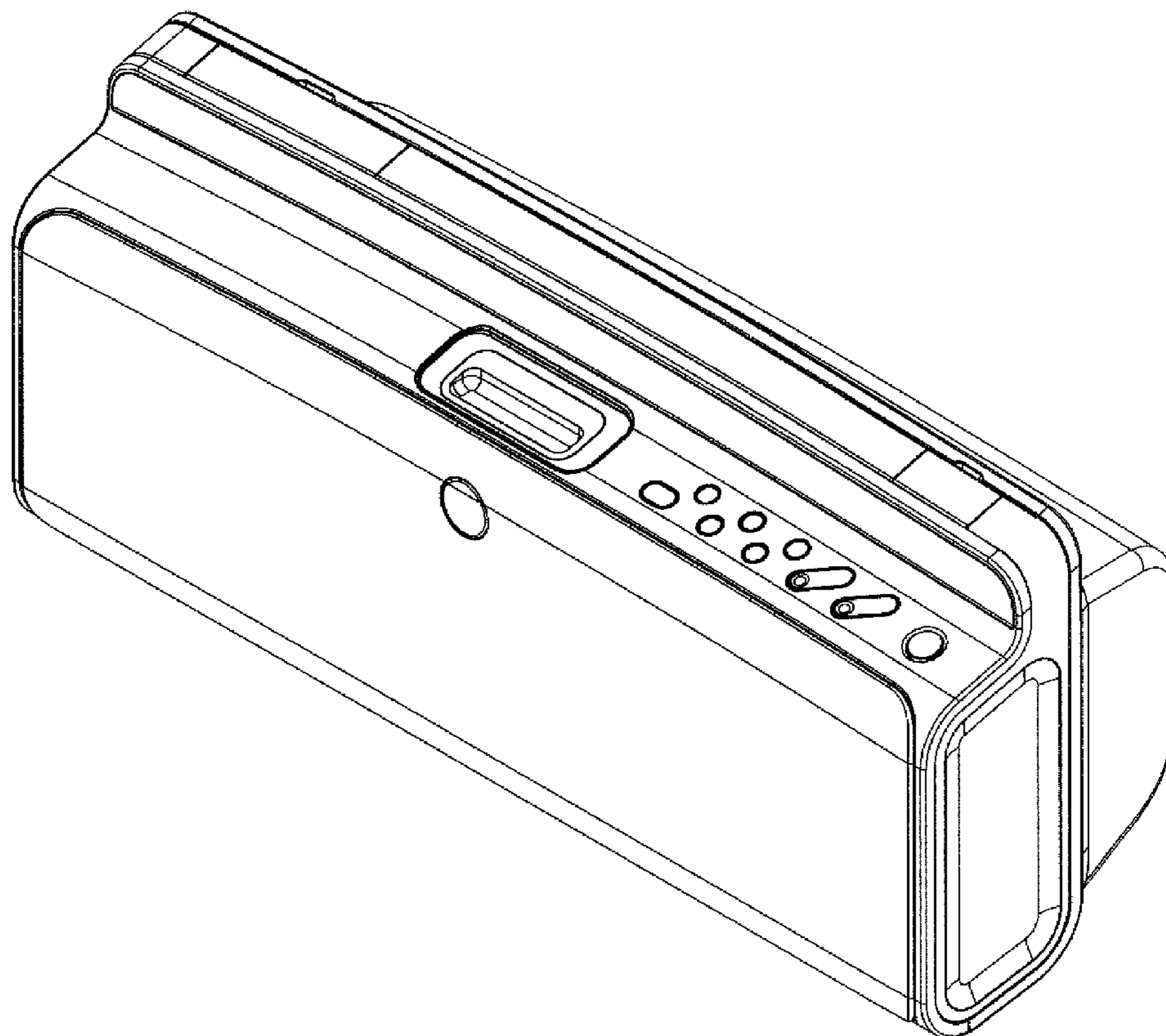
- FIG. 1 is a front elevational view of a “hi-power audio system” showing my design;
- FIG. 2 is a front elevational view with speaker cover thereof;
- FIG. 3 is a rear elevational view thereof;
- FIG. 4 is a top view thereof;
- FIG. 5 is a bottom view thereof;
- FIG. 6 is a left elevational view thereof;
- FIG. 7 is a right elevational view thereof;
- FIG. 8 is a front right side perspective view with speaker cover thereof; and,
- FIG. 9 is a rear bottom side perspective view thereof.

(56) **References Cited**

U.S. PATENT DOCUMENTS

- 6,567,011 B1 * 5/2003 Young et al. 340/825.69
- 6,591,085 B1 * 7/2003 Grady 455/42
- 6,642,629 B2 * 11/2003 DeLeeuw 307/10.1
- 6,791,907 B2 * 9/2004 Berhan 369/7
- 6,795,318 B2 * 9/2004 Haas et al. 361/729
- 6,869,320 B2 * 3/2005 Haas et al. 439/701
- 6,879,843 B1 * 4/2005 Kim 455/557

1 Claim, 9 Drawing Sheets



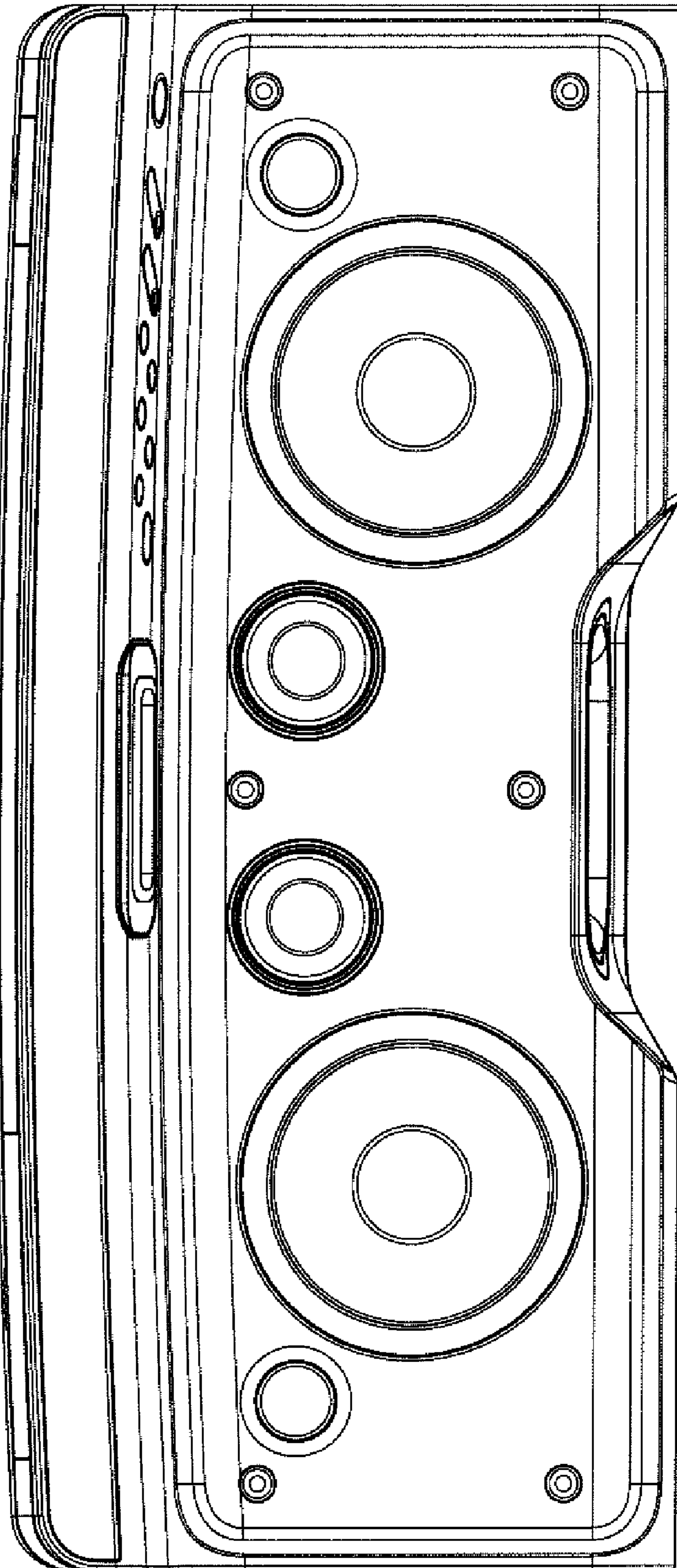


FIG 1

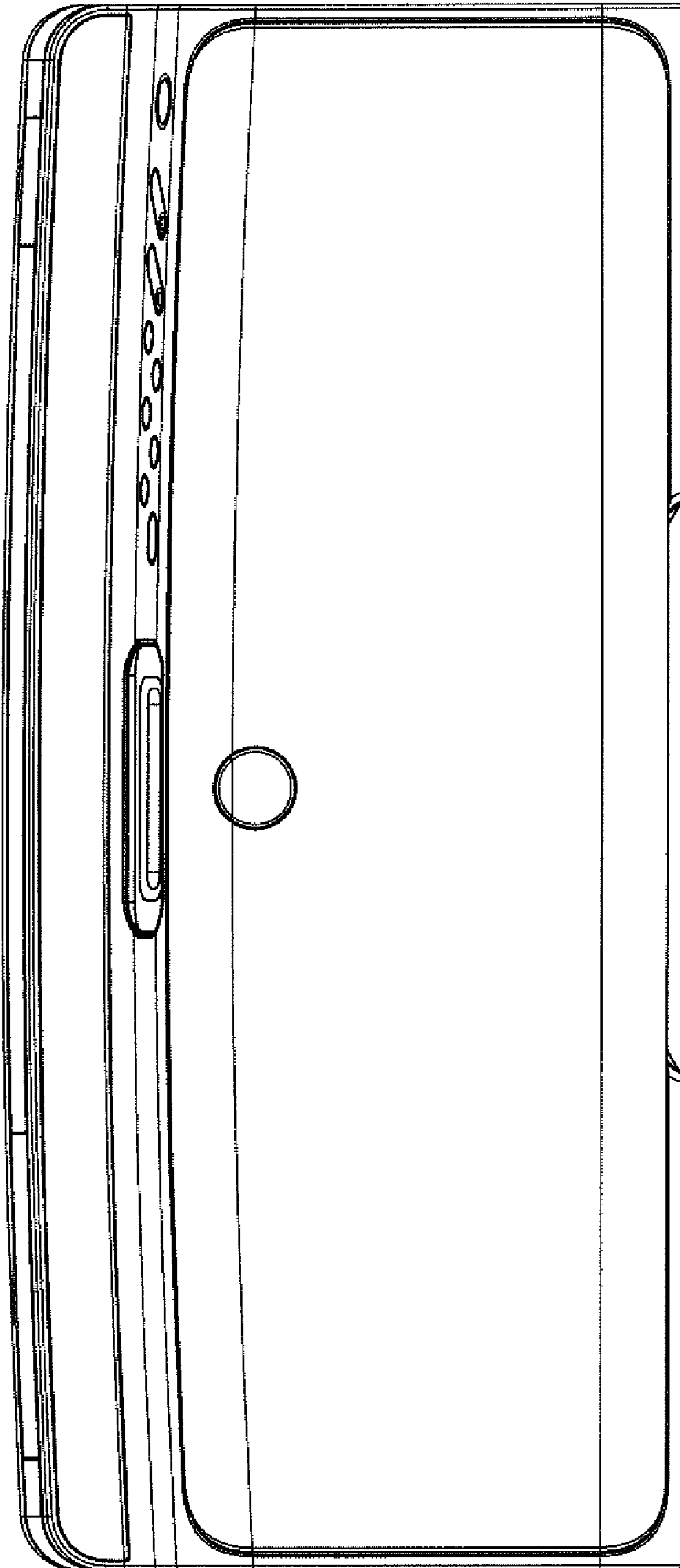


FIG 2

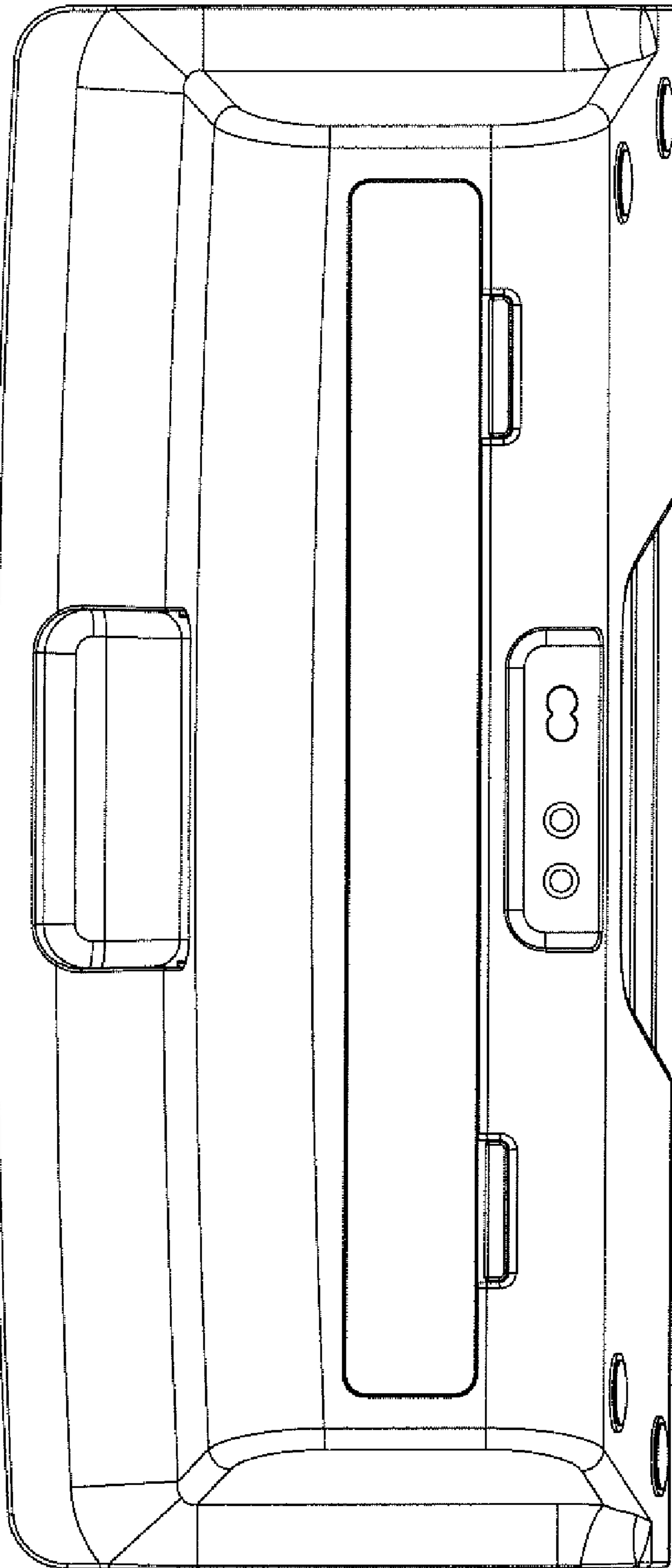


FIG 3

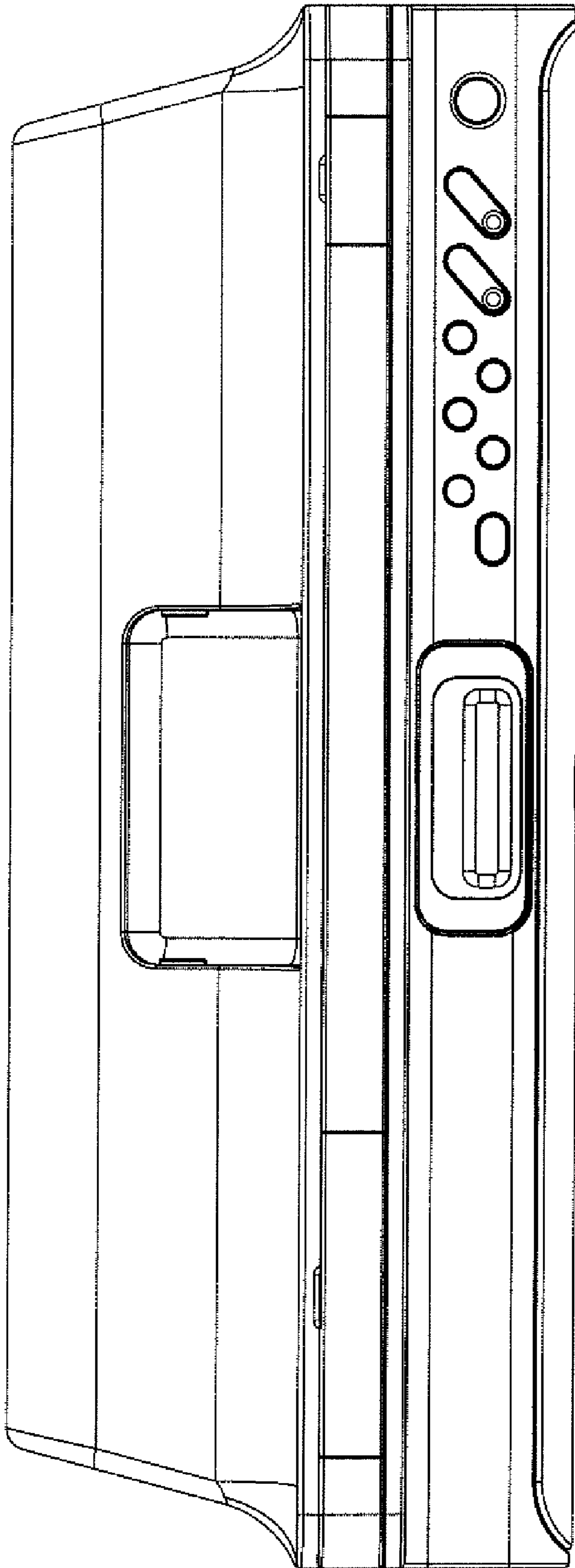


FIG 4

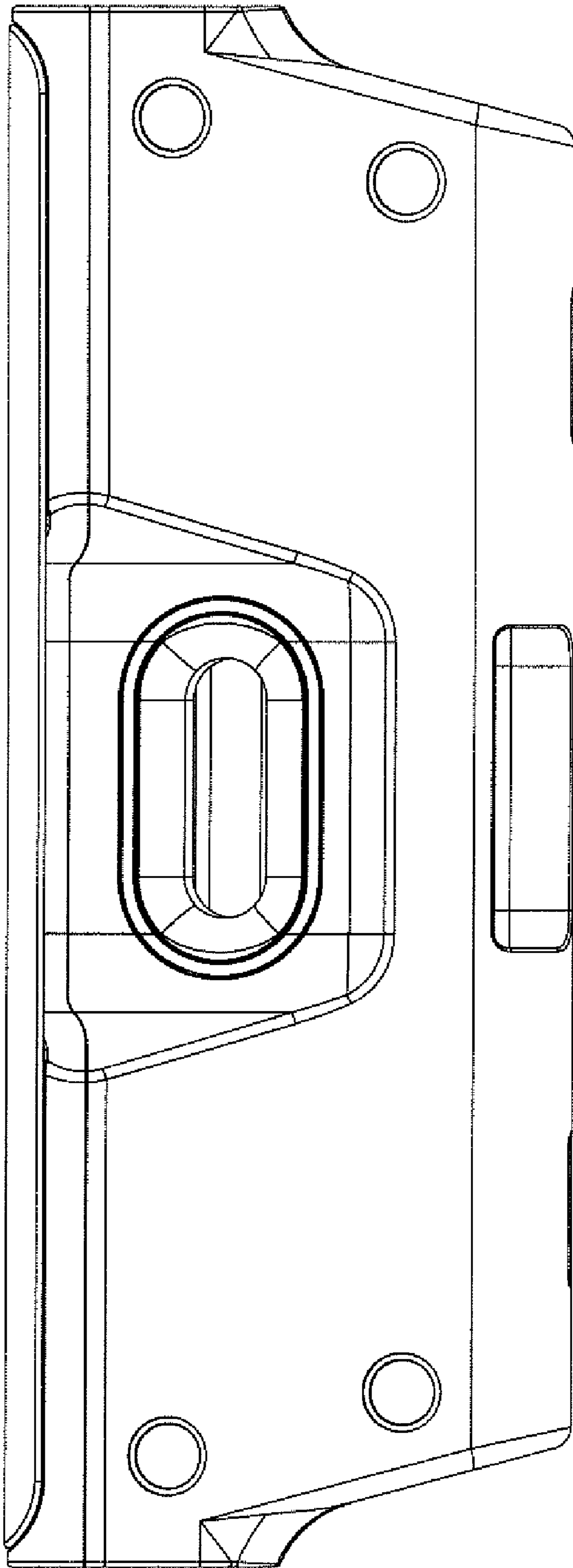


FIG 5

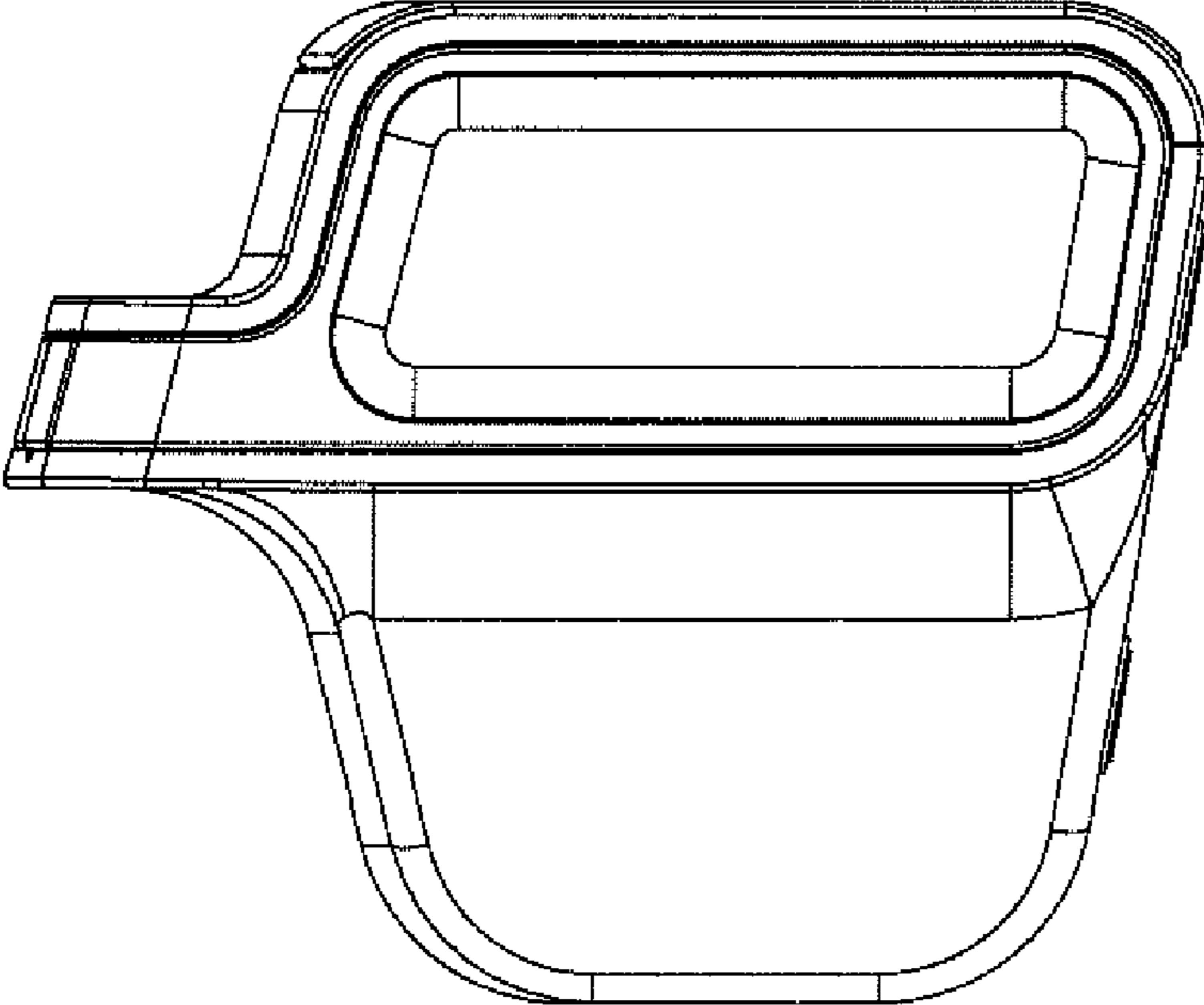


FIG 6

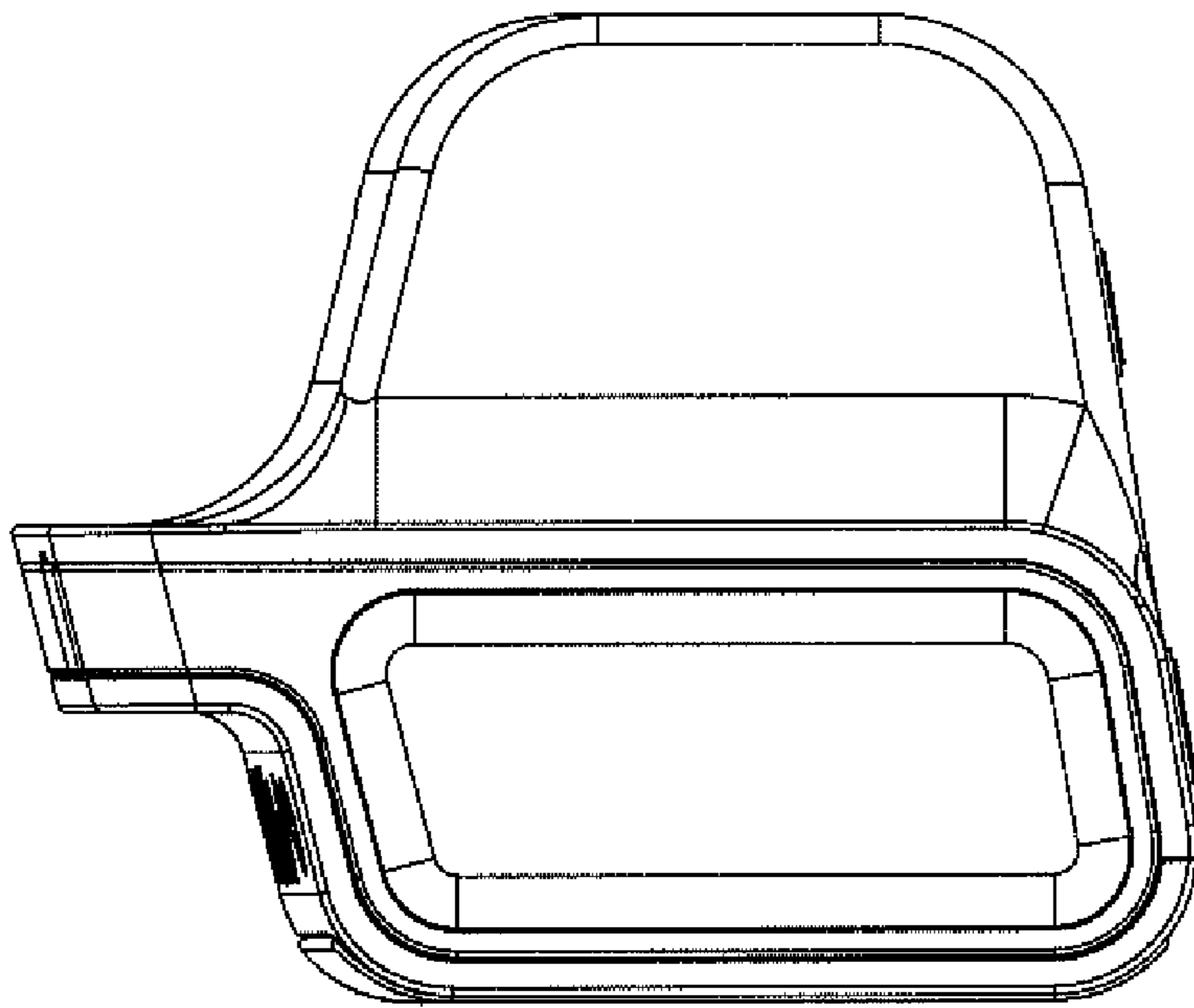


FIG 7

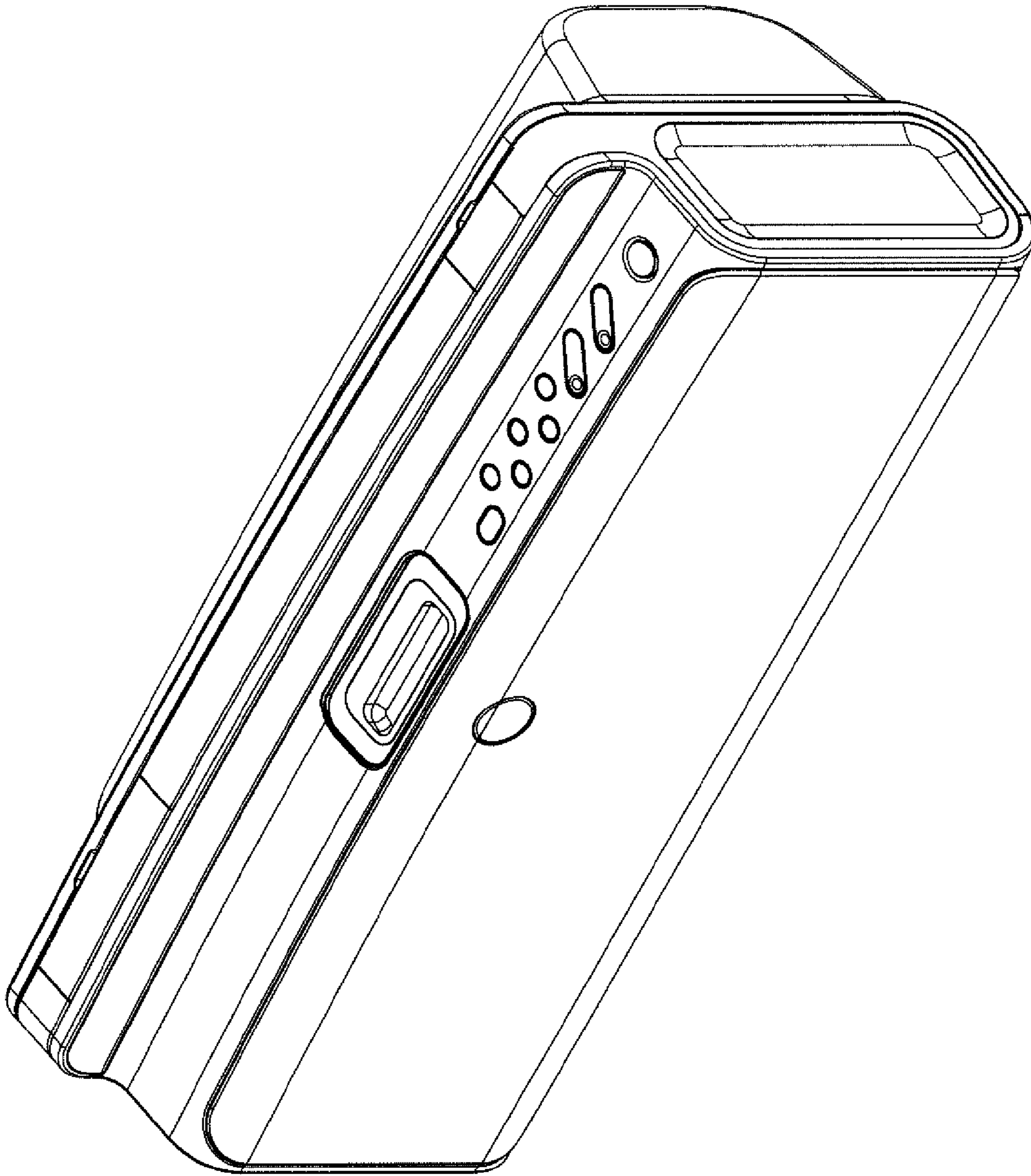


FIG 8

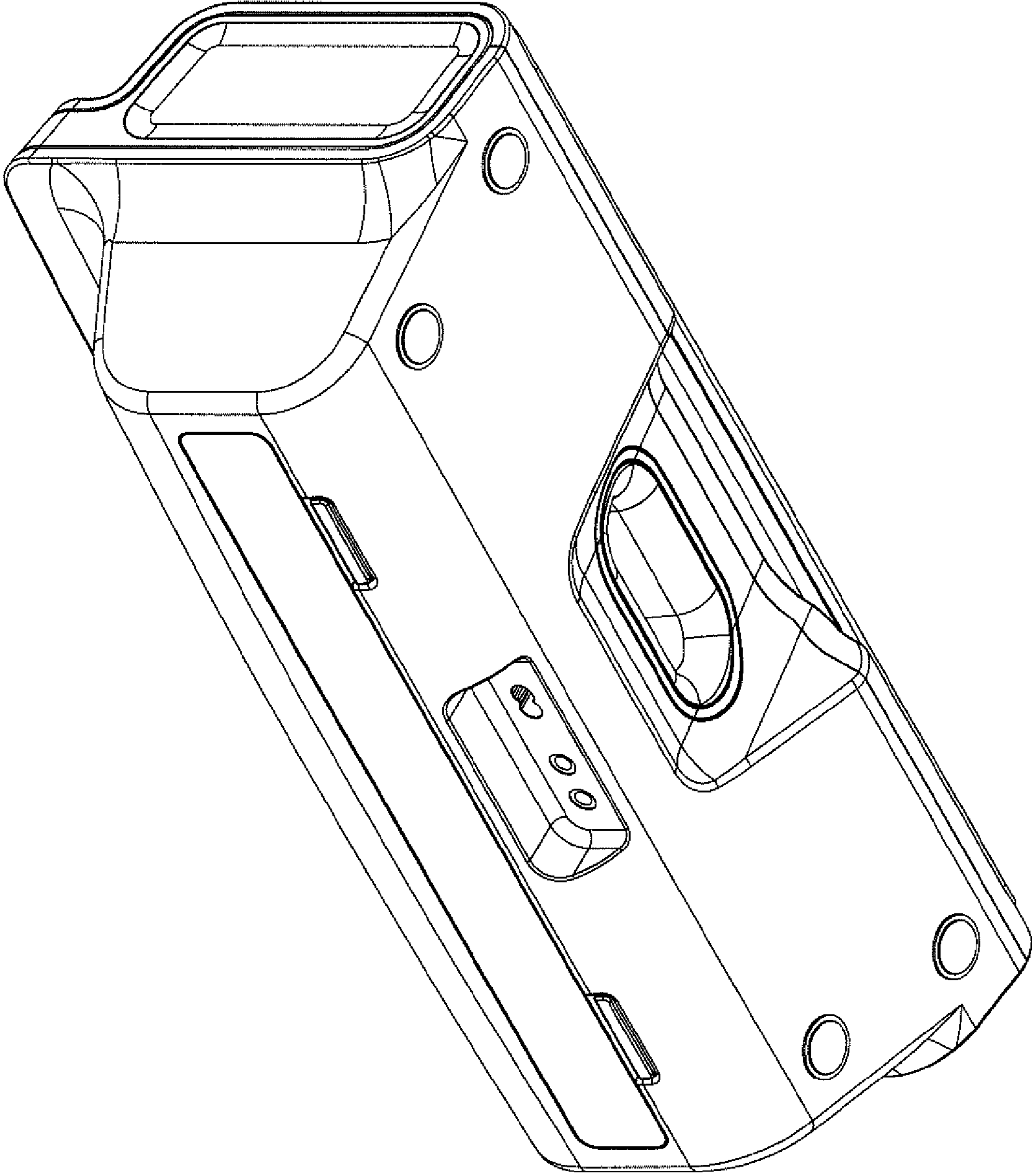


FIG 9