



US00D553136S

(12) **United States Design Patent**
Rak et al.

(10) **Patent No.:** **US D553,136 S**

(45) **Date of Patent:** **** Oct. 16, 2007**

(54) **KEYPAD**
(75) Inventors: **Roman P. Rak**, Waterloo (CA); **Jason T. Griffin**, Kitchener (CA)
(73) Assignee: **Research In Motion Limited**, Waterloo, Ontario (CA)
(**) Term: **14 Years**

7,087,850 B1 * 8/2006 Murzanski 200/302.1
7,138,587 B2 * 11/2006 Nishino et al. 200/5 A
7,164,088 B1 * 1/2007 Yurochko et al. 200/5 A
D537,082 S * 2/2007 Griffin D14/455
7,182,533 B1 * 2/2007 Caplan 400/489
2002/0168209 A1 * 11/2002 Lee 400/488
2003/0190182 A1 * 10/2003 Huang 400/490
2004/0190969 A1 * 9/2004 Huang 400/490
2006/0062626 A1 * 3/2006 Hamilton et al. 400/490

* cited by examiner

(21) Appl. No.: **29/249,995**

Primary Examiner—Alan P. Douglas

(22) Filed: **Oct. 30, 2006**

Assistant Examiner—Angela Lee

(51) **LOC (8) Cl.** **14-02**

(74) *Attorney, Agent, or Firm*—Brij K. Agarwal; Eckert

(52) **U.S. Cl.** **D14/455**

Seamans Cherin & Mellott, LLC

(58) **Field of Classification Search** D14/137,
D14/138, 144, 147, 148, 218, 247, 248, 329,
D14/331, 333, 338–9, 341–7, 387, 390–2,
D14/396–399, 432, 454, 455, 456; D18/1,
D18/2, 6, 7, 12.2, 25, 52; D21/329; 235/145 R;
341/22, 27, 28; 345/168, 169, 170, 171,
345/172, 947, 948; 379/368, 915, 433.07;
400/109, 110, 111, 472, 484, 485, 486, 488,
400/489, 490, 491, 492; 455/550.1, 556.2,
455/186.2

See application file for complete search history.

(57) **CLAIM**

The ornamental design for a keypad, as shown and described.

(56) **References Cited**

DESCRIPTION

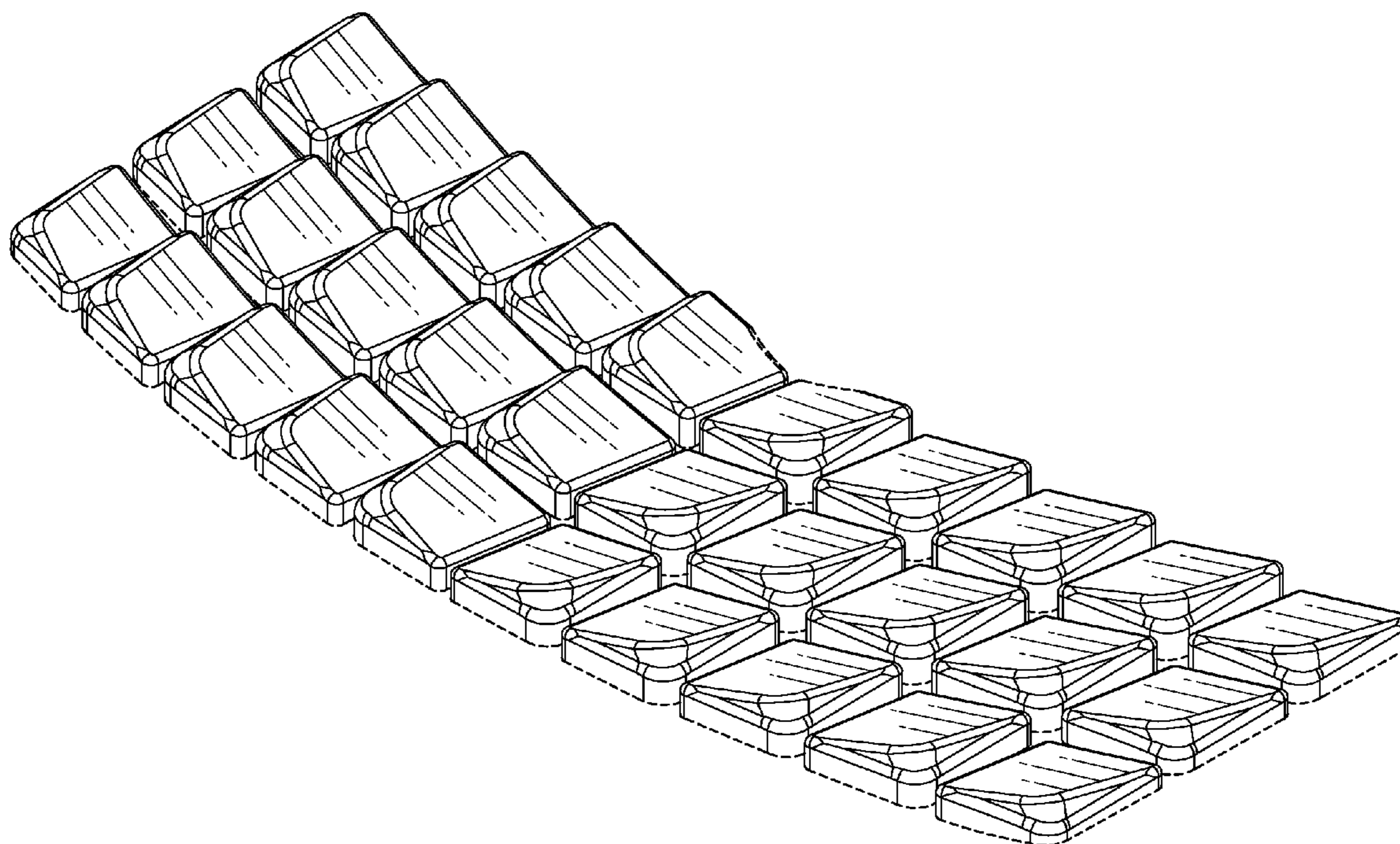
U.S. PATENT DOCUMENTS

5,515,763 A * 5/1996 Vandervoort 84/433
5,560,724 A * 10/1996 Iwasa et al. 400/488
5,767,463 A * 6/1998 Gandre 200/5 A
D502,180 S * 2/2005 Gambaro D14/391

FIG. 1 is a perspective view of a first embodiment of a keypad depicting our new design;
FIG. 2 is a front elevational view thereof;
FIG. 3 is a top plan view thereof;
FIG. 4 is a bottom plan view thereof; and,
FIG. 5 is a sectional view as taken along line 5—5 of FIG. 2.

The broken lines shown in the drawings are for illustrative purposes only and form no part of the claimed design.

1 Claim, 4 Drawing Sheets



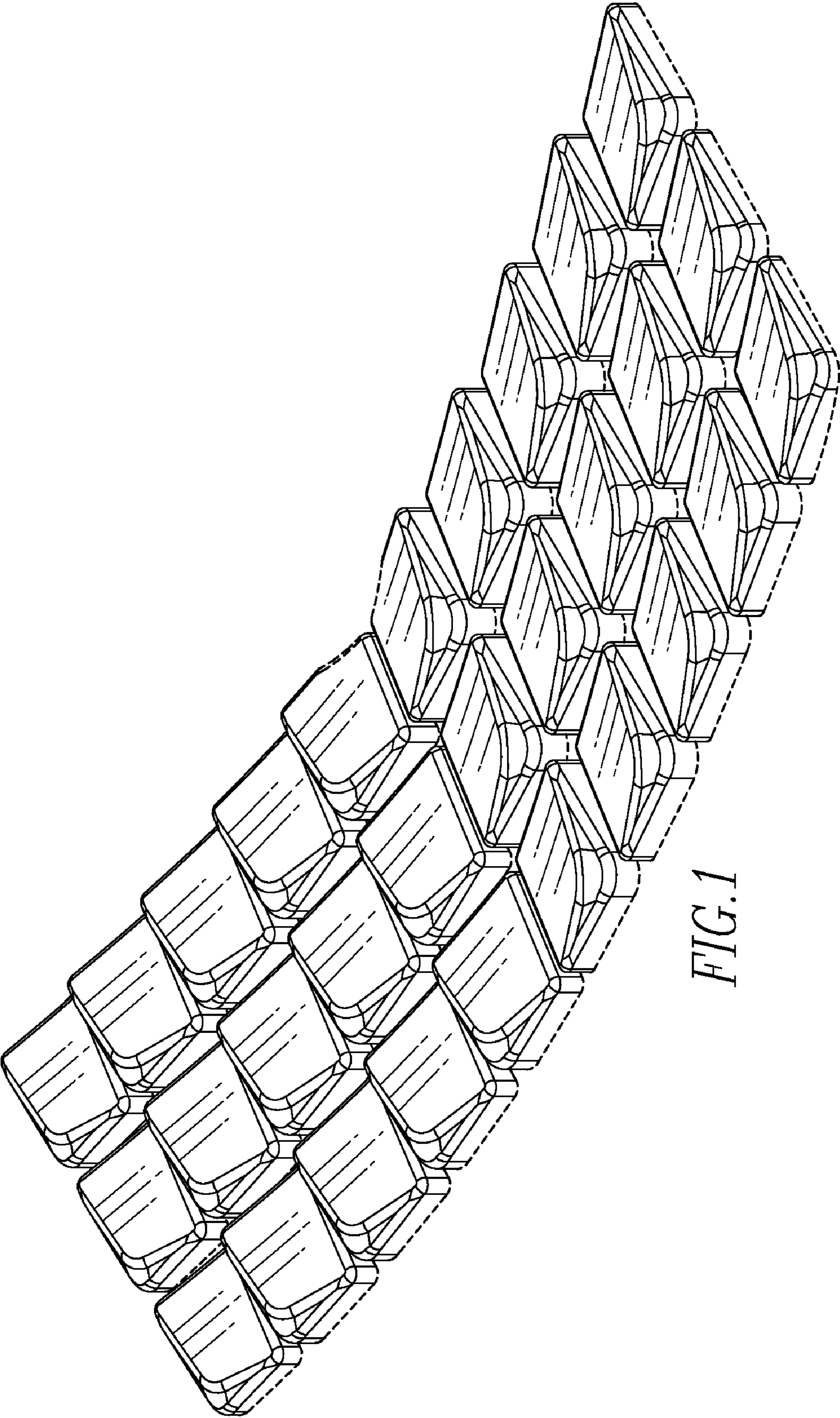


FIG. 1

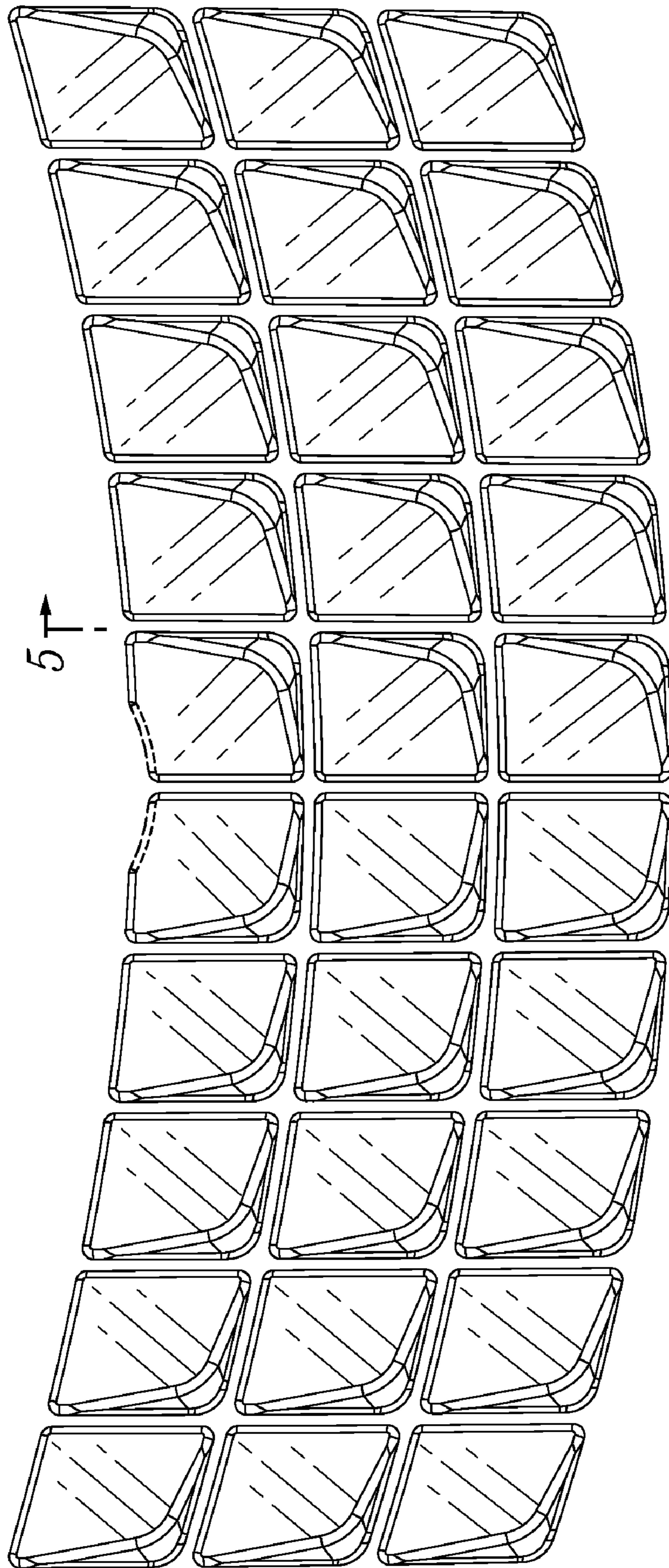


FIG. 2 5



FIG. 3



FIG. 4

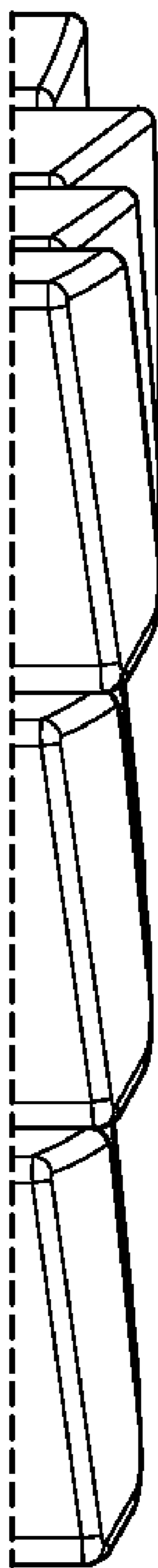


FIG. 5