



US00D553135S

(12) **United States Design Patent**
Muday et al.

(10) **Patent No.:** **US D553,135 S**
(45) **Date of Patent:** **** Oct. 16, 2007**

(54) **CANTILEVERED WORKSPACE MOUNT FOR FLAT PANEL DISPLAYS**

(75) Inventors: **Tom Muday**, Scottsdale, AZ (US);
Brett Stenhouse, Phoenix, AZ (US);
Zachary Eyman, Phoenix, AZ (US);
Keith Charvonia, Cave Creek, AZ (US)

(73) Assignee: **Omnimount Systems, Inc.**, Phoenix, AZ (US)

(**) Term: **14 Years**

(21) Appl. No.: **29/265,563**

(22) Filed: **Aug. 31, 2006**

(51) **LOC (8) Cl.** **14-02**

(52) **U.S. Cl.** **D14/452**

(58) **Field of Classification Search** D14/224,
D14/239, 251, 253, 316, 375, 376, 432, 439,
D14/447, 448, 451, 452, 457; D6/444, 513;
D8/349, 355, 363, 373, 380; 248/121, 124.1,
248/127, 176.1, 177.1, 201, 205.1, 274.1,
248/276.1, 291.1, 309.1, 313, 346.01, 346.03,
248/371, 415, 917-24; 312/223.3; 348/825,
348/836; 379/446, 454

See application file for complete search history.

(56) **References Cited**

U.S. PATENT DOCUMENTS

D281,317 S * 11/1985 Whitaker D14/224
D503,719 S * 4/2005 Lin D14/452
6,915,996 B2 * 7/2005 Lin 248/288.51

D508,917 S * 8/2005 Wills et al. D14/452
D522,009 S * 5/2006 Chen D14/452
D529,033 S * 9/2006 Hung D14/452
D537,706 S * 3/2007 Ly Hau et al. D8/363
D538,633 S * 3/2007 Ly Hau et al. D8/363
D539,123 S * 3/2007 Ly Hau et al. D8/363
D539,127 S * 3/2007 Ly Hau et al. D8/373
D543,210 S * 5/2007 Stenhouse et al. D14/452
D543,547 S * 5/2007 Muday et al. D14/452
2002/0011544 A1 * 1/2002 Bosson 248/121
2004/0262474 A1 * 12/2004 Boks et al. 248/276.1

* cited by examiner

Primary Examiner—Cathron C. Brooks

Assistant Examiner—Angela Lee

(74) *Attorney, Agent, or Firm*—Hogan & Hartson LLP

(57) **CLAIM**

The ornamental design for a cantilevered workspace mount for flat panel displays, as shown.

DESCRIPTION

FIG. 1 is a top, left isometric view of an embodiment of a cantilevered workspace mount for flat panel displays showing our design in a vertical configuration.

FIG. 2 is a front elevational view thereof.

FIG. 3 is a rear elevational view thereof.

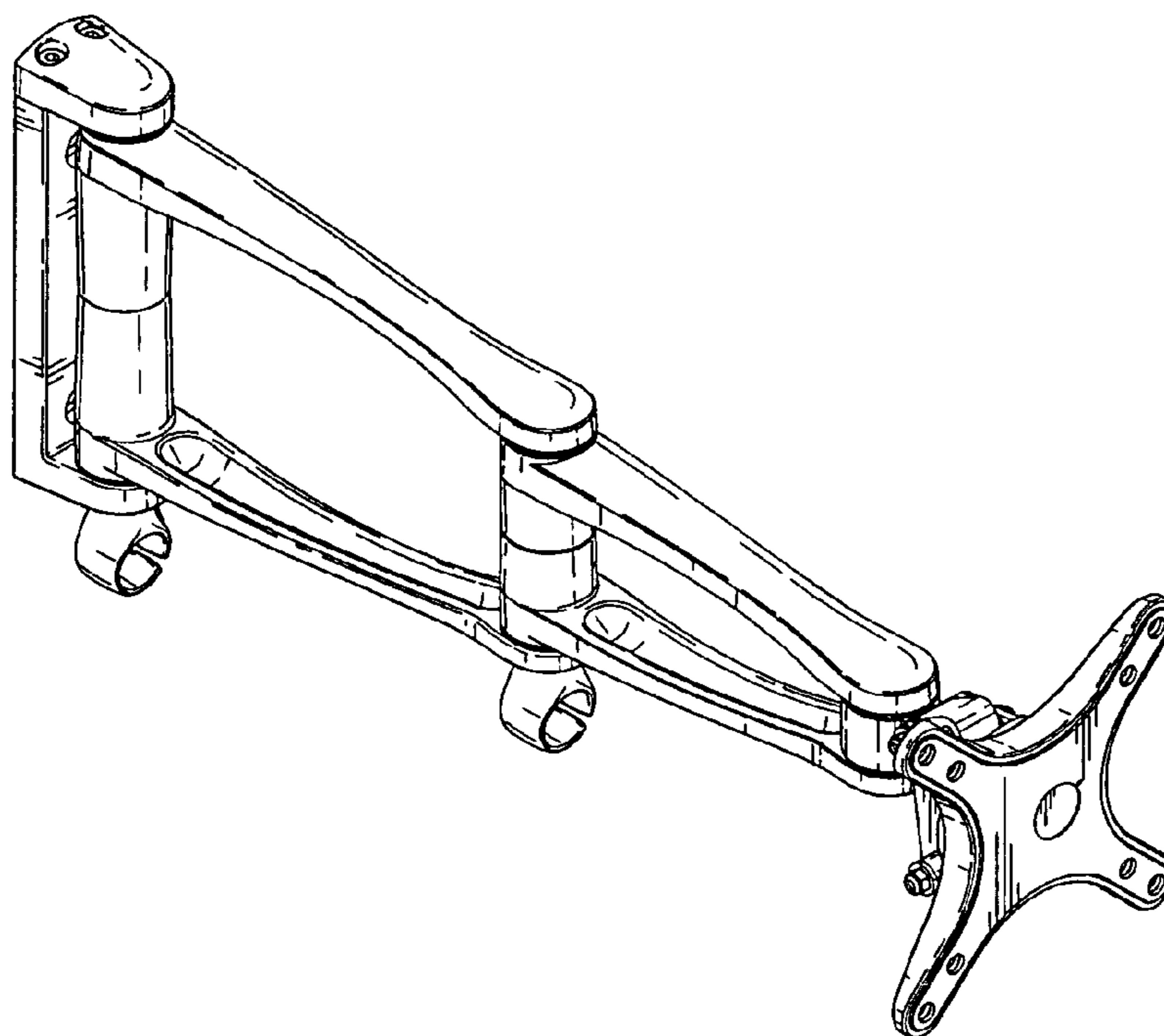
FIG. 4 is a left-side elevational view thereof.

FIG. 5 is a right-side elevational view thereof.

FIG. 6 is a top plan view thereof; and,

FIG. 7 is bottom plan view thereof.

1 Claim, 2 Drawing Sheets



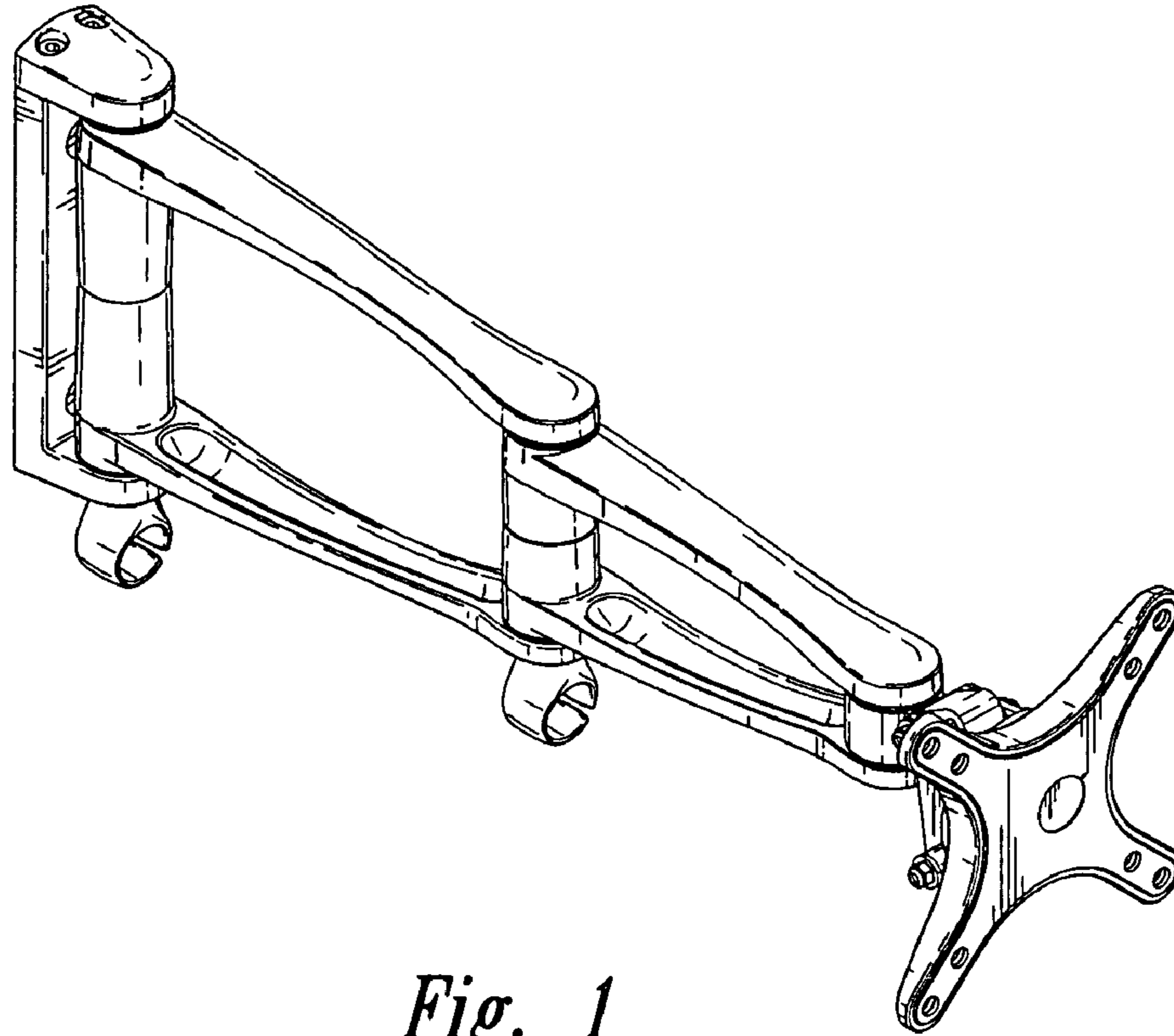


Fig. 1

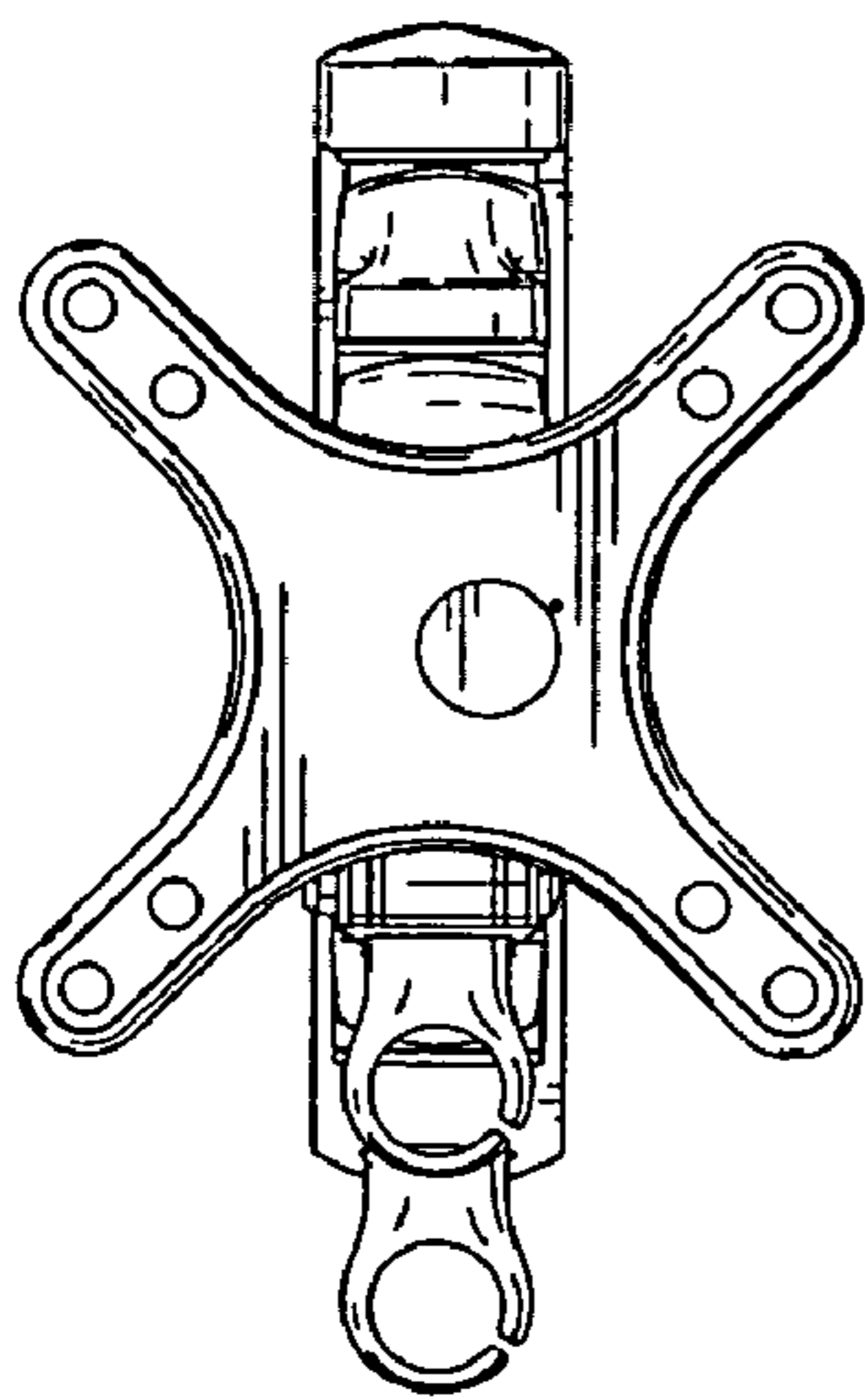


Fig. 2

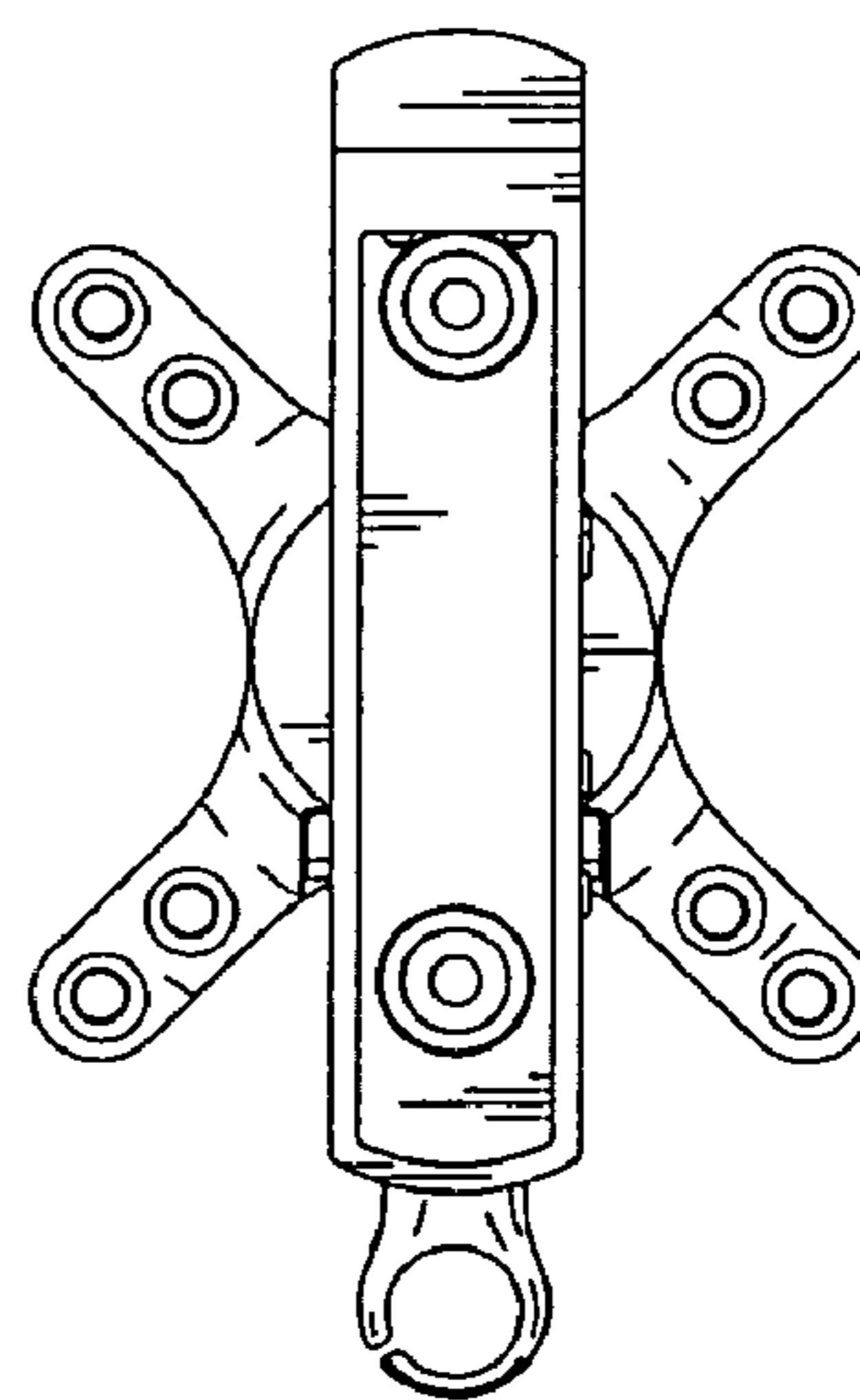


Fig. 3

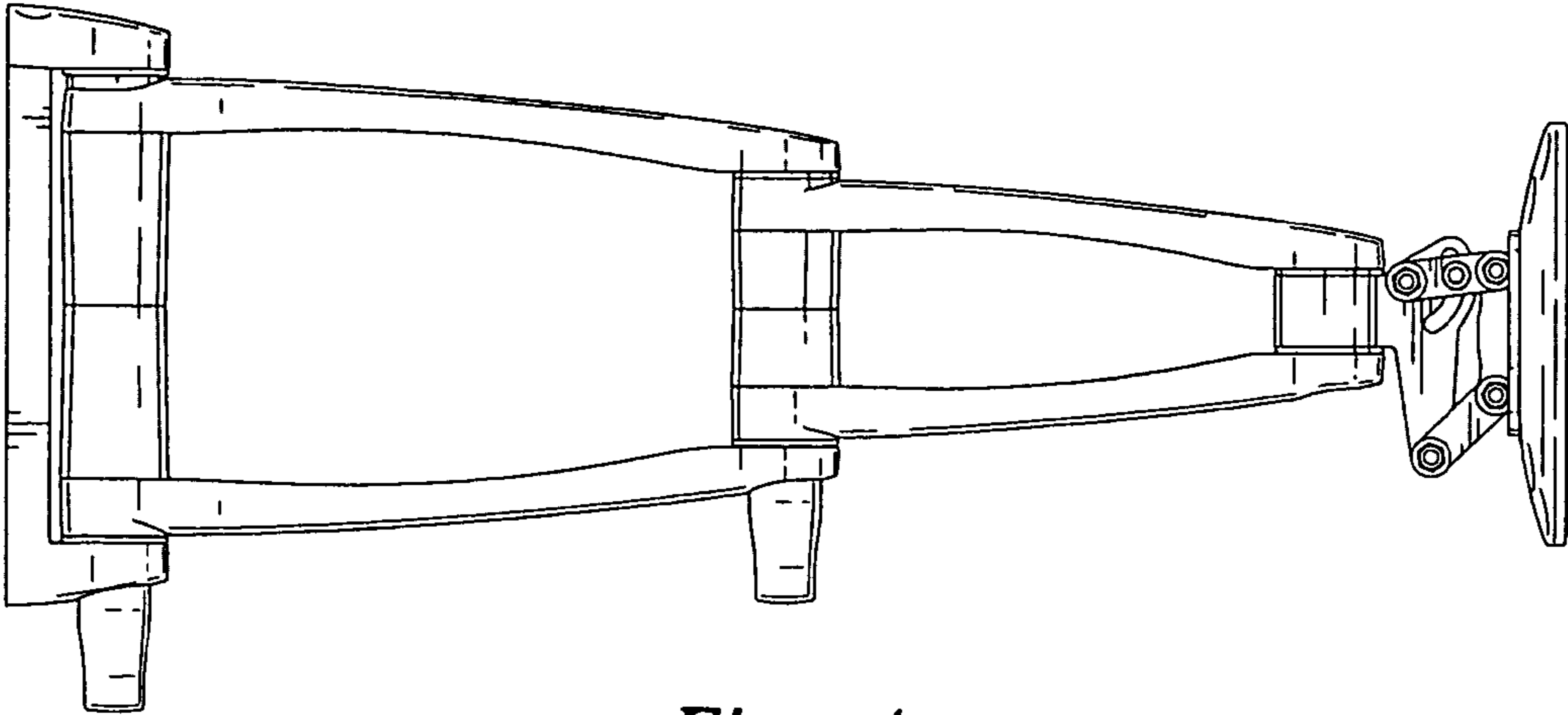


Fig. 4

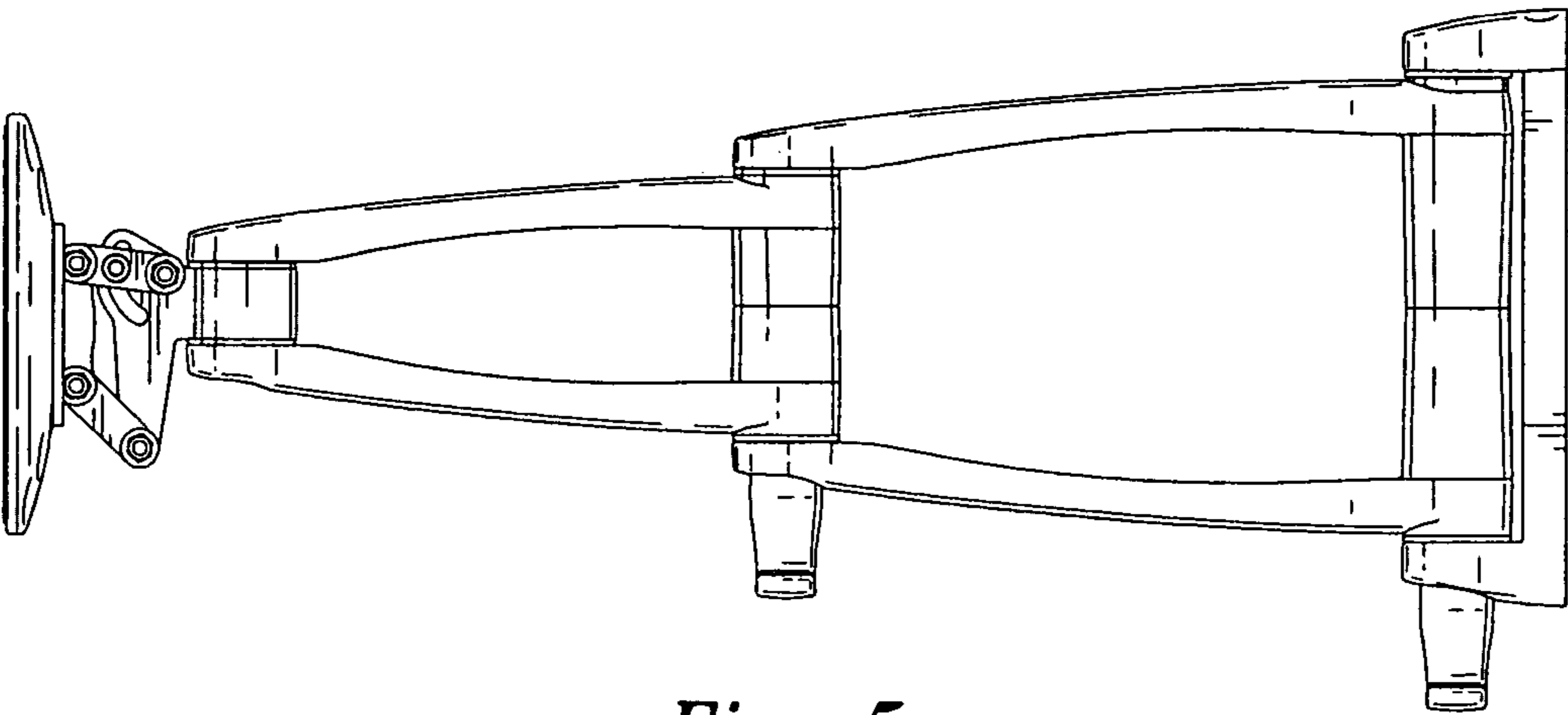


Fig. 5

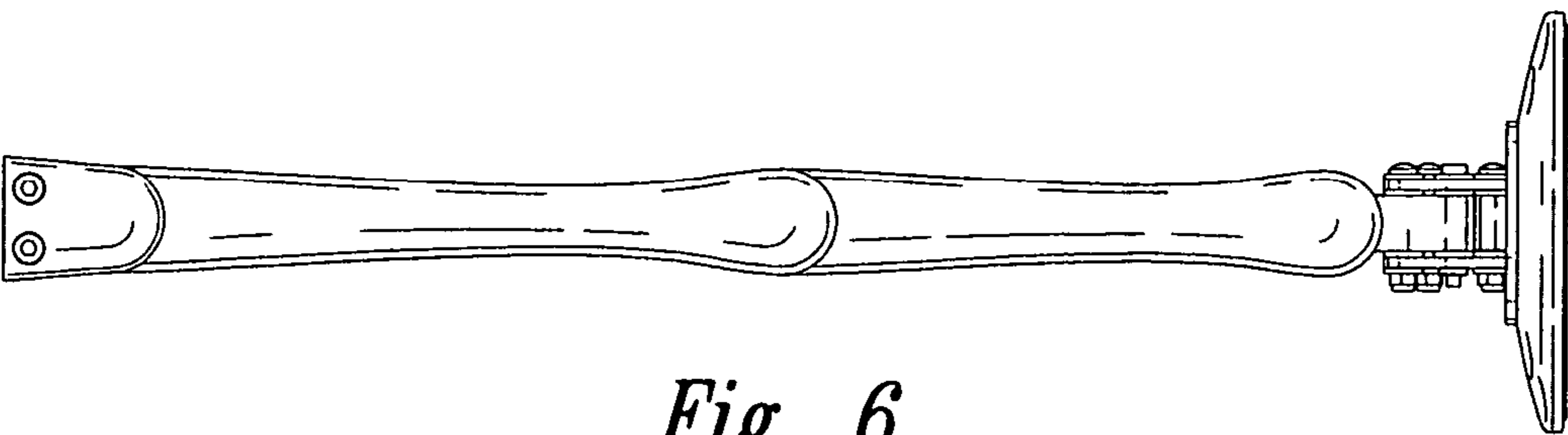


Fig. 6

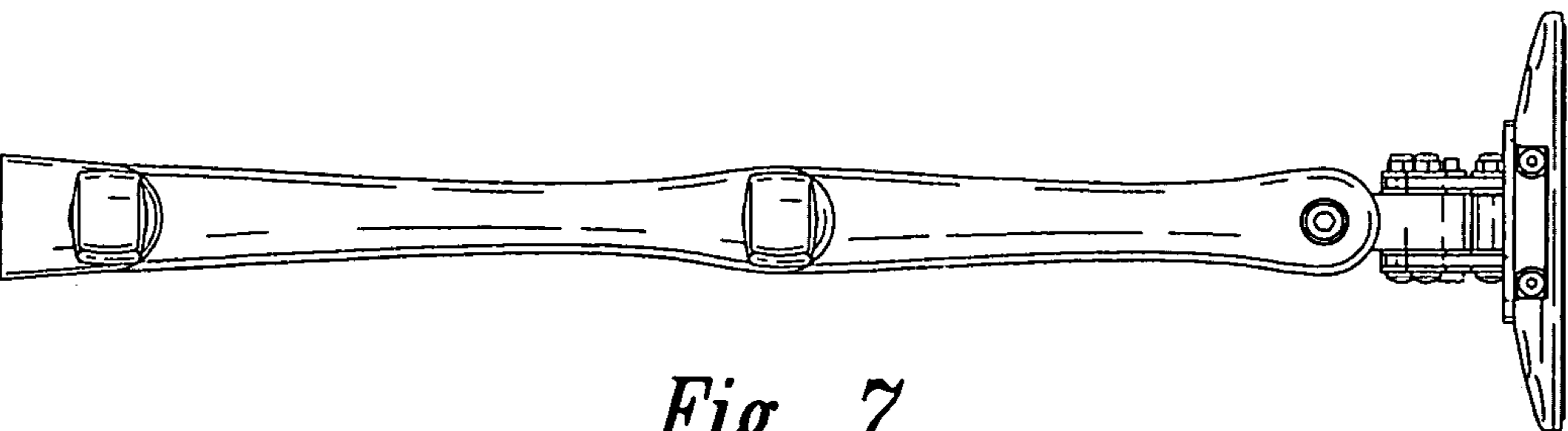


Fig. 7