



US00D553133S

(12) **United States Design Patent** (10) **Patent No.:** **US D553,133 S**  
**Yu** (45) **Date of Patent:** **\*\* Oct. 16, 2007**

(54) **BARCODE READER**  
(75) Inventor: **Gyu-Young Yu**, Seoul (KR)  
(73) Assignee: **Data Square Technology Co., Ltd.**,  
Seoul (KR)  
(\*\*) Term: **14 Years**  
(21) Appl. No.: **29/240,404**  
(22) Filed: **Oct. 12, 2005**  
(30) **Foreign Application Priority Data**  
Apr. 19, 2005 (KR) ..... 30-2005-0013004

5,198,650 A \* 3/1993 Wike, Jr. .... 235/462.45  
D378,182 S \* 2/1997 Wong ..... D7/693  
D380,943 S \* 7/1997 Wong ..... D7/693  
D414,384 S \* 9/1999 Schulein ..... D7/693  
6,216,951 B1 \* 4/2001 Swift et al. .... 235/462.45  
D463,959 S \* 10/2002 Weibel ..... D7/693  
D464,853 S \* 10/2002 Klamer ..... D7/693  
D481,271 S \* 10/2003 Herren ..... D7/693

\* cited by examiner

*Primary Examiner*—M. H. Tung  
*Assistant Examiner*—Susan Moon Lee  
(74) *Attorney, Agent, or Firm*—IPLA P.A.; James E. Bame

(51) **LOC (8) Cl.** ..... **14-02**  
(52) **U.S. Cl.** ..... **D14/426**  
(58) **Field of Classification Search** ..... 235/462.43,  
235/462.45–462.46, 462.49, 454, 472.01–472.03,  
235/473, 470; D14/426, 346, 428, 431; 359/214;  
250/568; 382/313–14, 321; 358/473; 361/683;  
D7/693, 372, 381, 412, 669; 99/509–513,  
99/495, 337, 645; 241/92–95, 100, 168,  
241/169, 169.1, 270, 272, 264, 283, 285.2  
See application file for complete search history.

(57) **CLAIM**

The ornamental design for a barcode reader, as shown and described.

**DESCRIPTION**

FIG. 1 is a perspective view of a barcode reader showing my new design;  
FIG. 2 is a front elevational view thereof;  
FIG. 3 is a side elevational view thereof, the opposite side being a mirror image;  
FIG. 4 is a rear elevational view thereof;  
FIG. 5 is a top plan view thereof; and,  
FIG. 6 is a bottom plan view thereof.

(56) **References Cited**  
U.S. PATENT DOCUMENTS  
D244,416 S \* 5/1977 Zysset ..... D7/693  
D331,170 S \* 11/1992 Greiner ..... D7/693

**1 Claim, 3 Drawing Sheets**

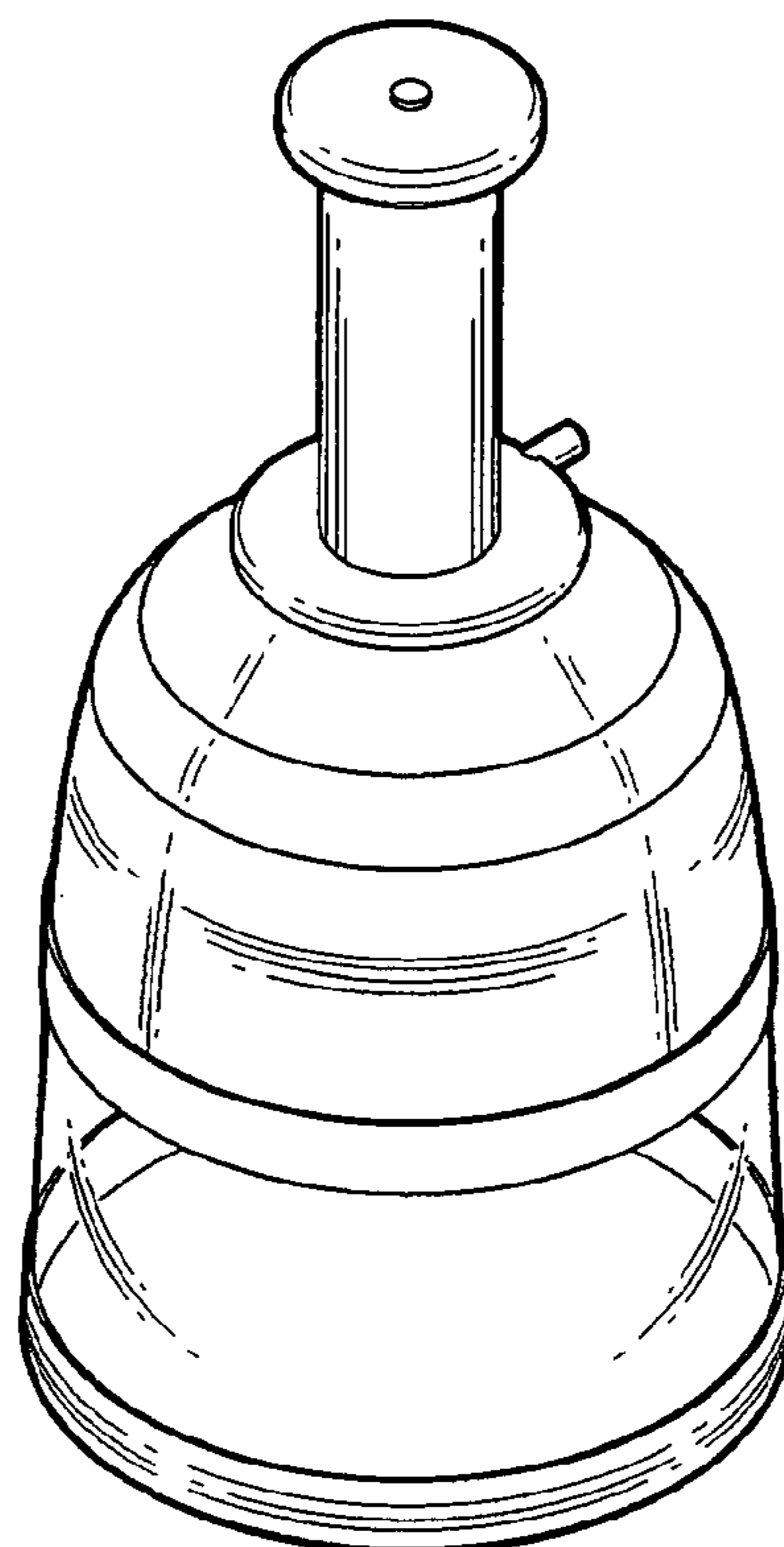


FIG. 2

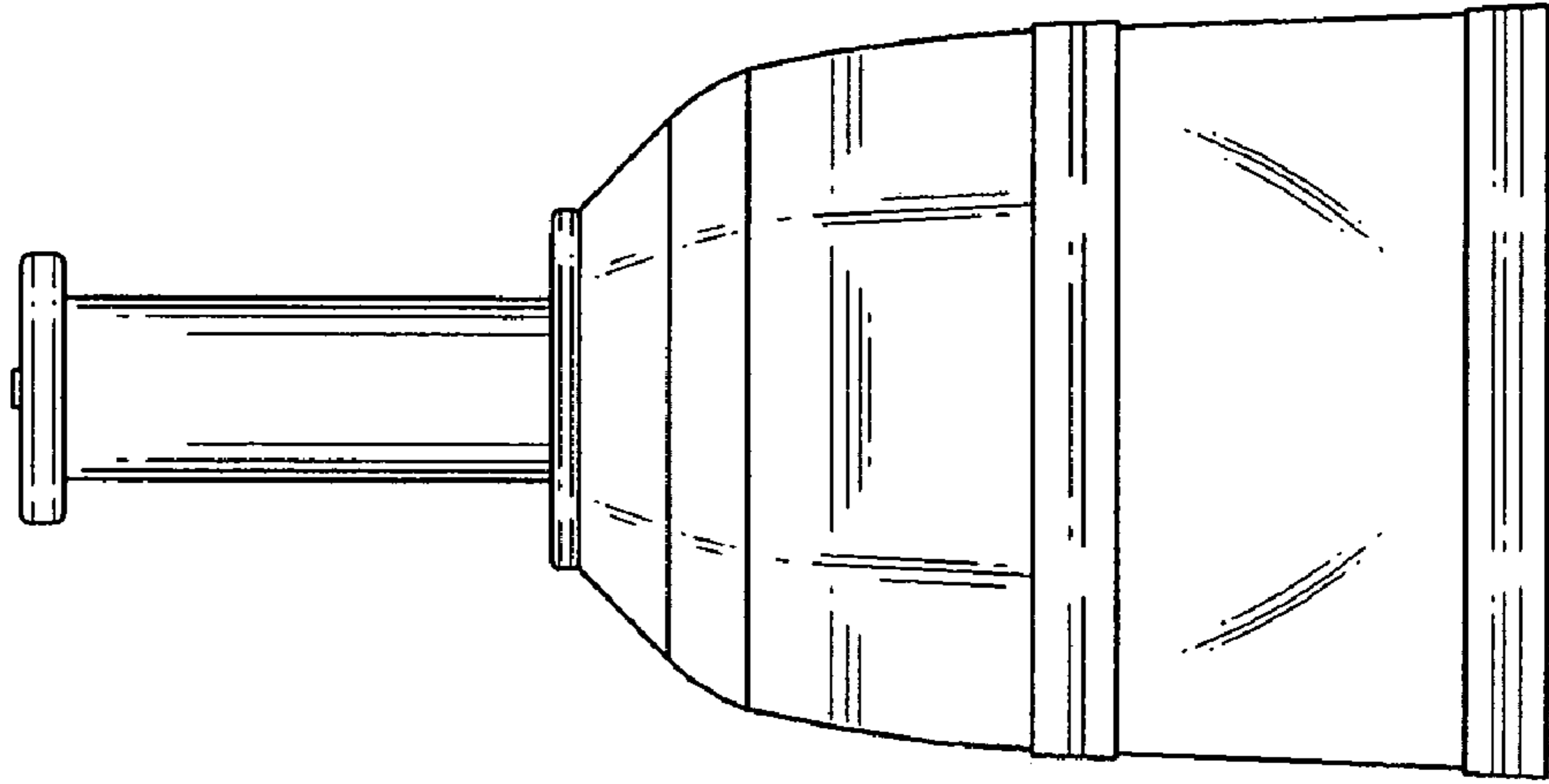


FIG. 1

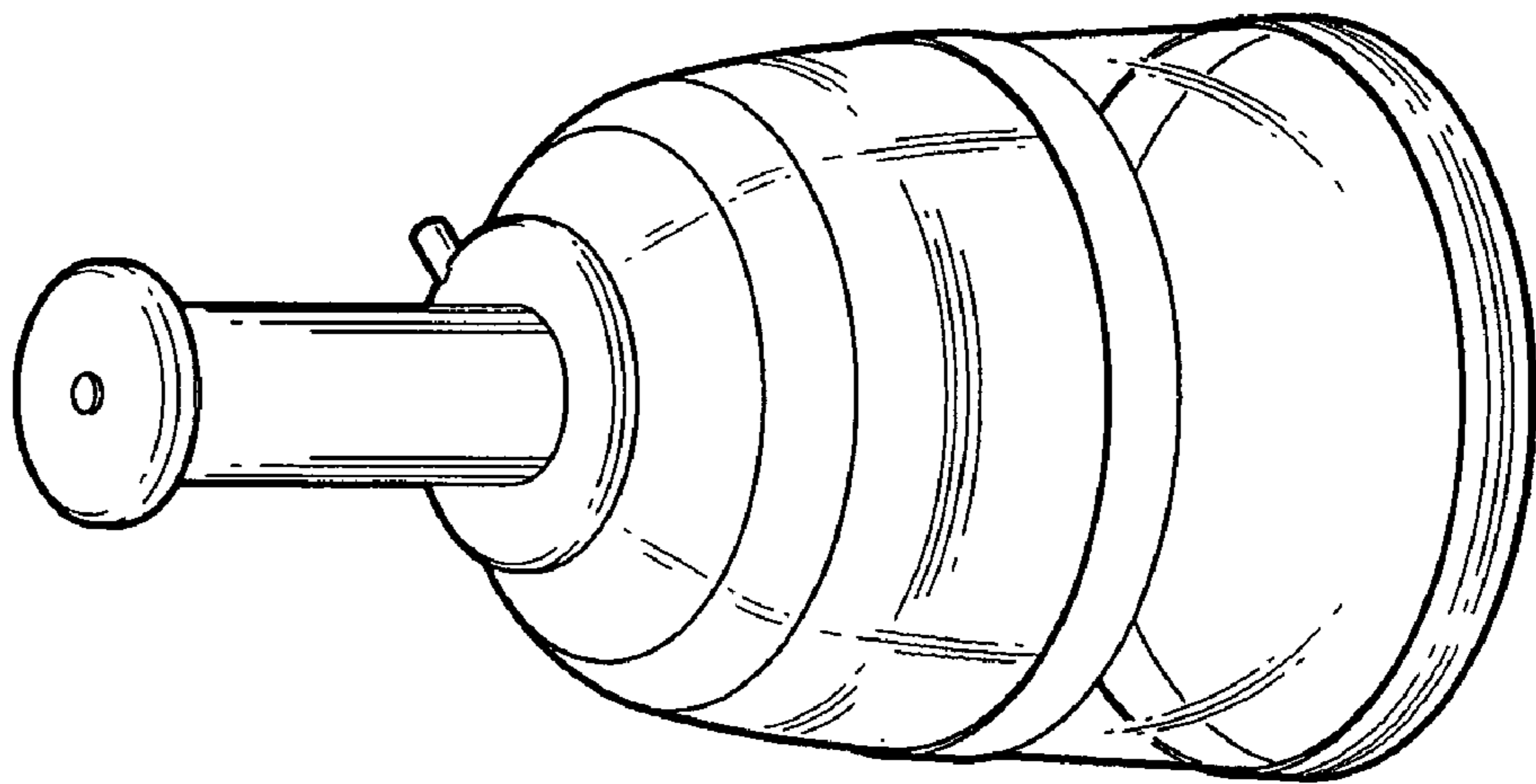


FIG. 4

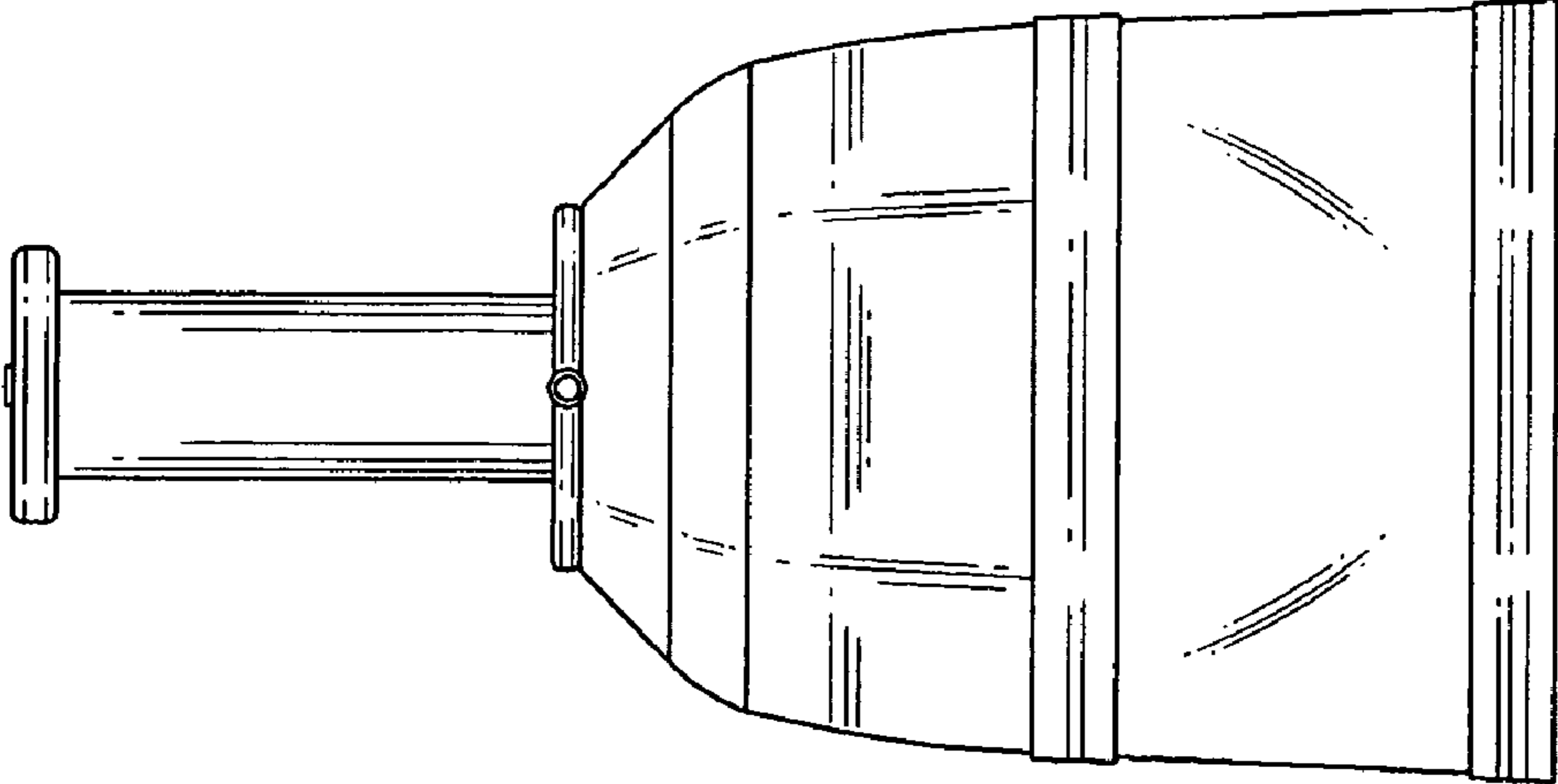


FIG. 3

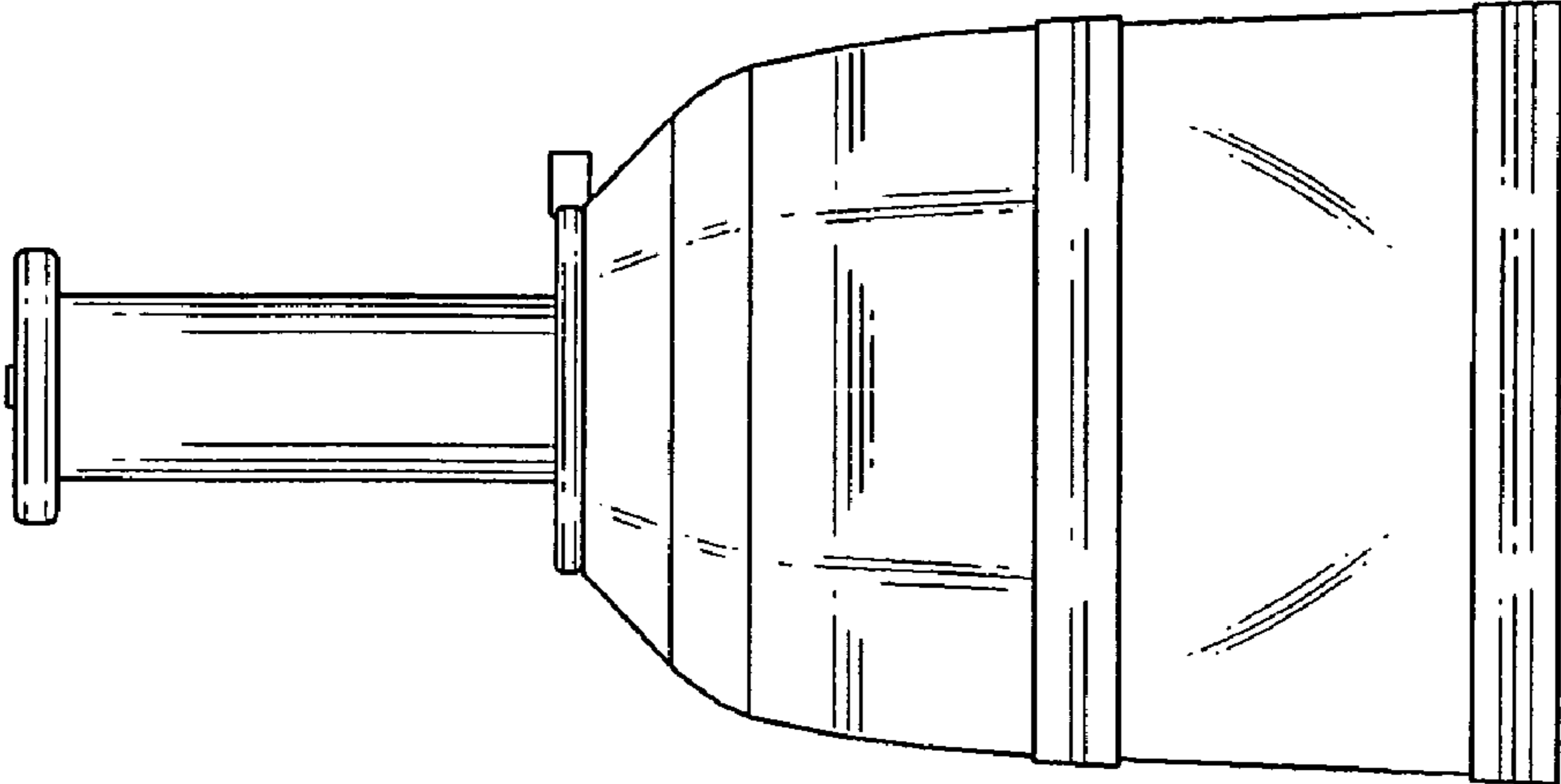


FIG. 6

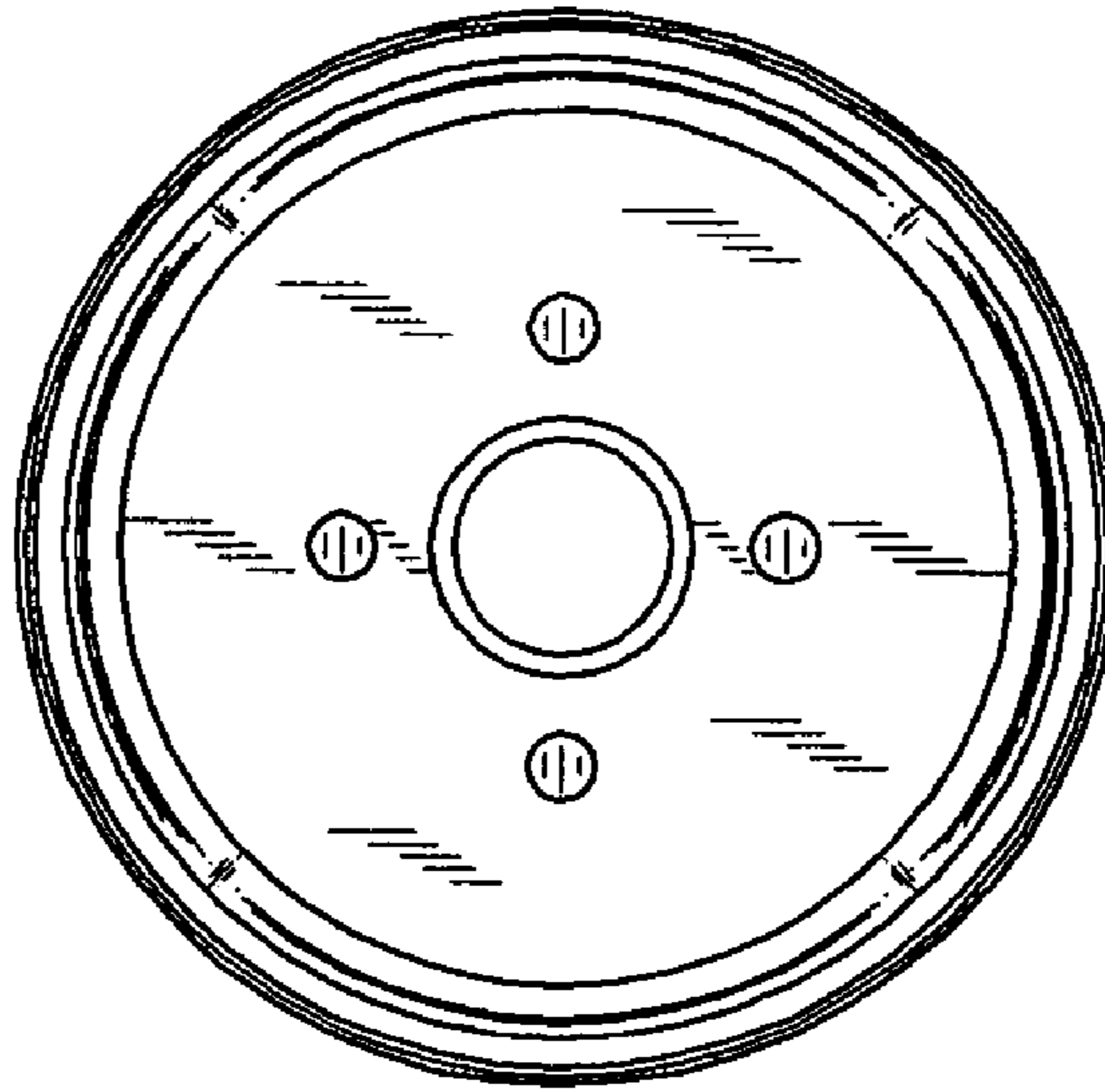


FIG. 5

